

## Model 32 Kenyon Optimum 5.0 Series

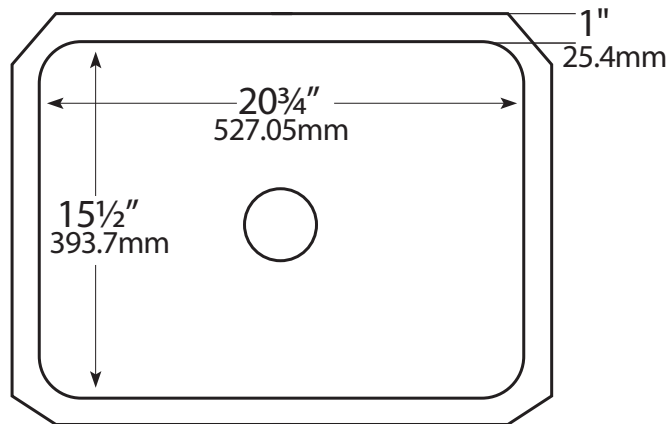


- Single Bowl Kitchen
- Undermount
- Includes Mounting Clips and Template
- Requires Deck Mount Faucet

**22<sup>3</sup>/<sub>4</sub>" x 17<sup>1</sup>/<sub>2</sub>" x 9<sup>3</sup>/<sub>4</sub>"**

**577.85mm x 311.15mm x 177.8mm**

Cutout dimensions: Due to variations in desired reveal, it is highly recommended that the actual sink be provided to the countertop fabricator prior to making any cuts.



Drains not included.



Certified by: National Association of Homebuilders  
(NAHB) Research Center and CSA International

Meets or Exceeds:

CSA B45.0-02 ANSI Z 124.3 - 1995  
CSA B45.5-02 ANSI Z 124.6 - 1997

All designs and specifications  
subject to change without notice  
All dimensions are  $\pm 1/4"$  (6.35 mm)

United States Patents US437,035, US441,853, US442,679, US453,554, US457,944 and other Patents Pending may apply.

900051 © 2009 CorStone, Inc.