

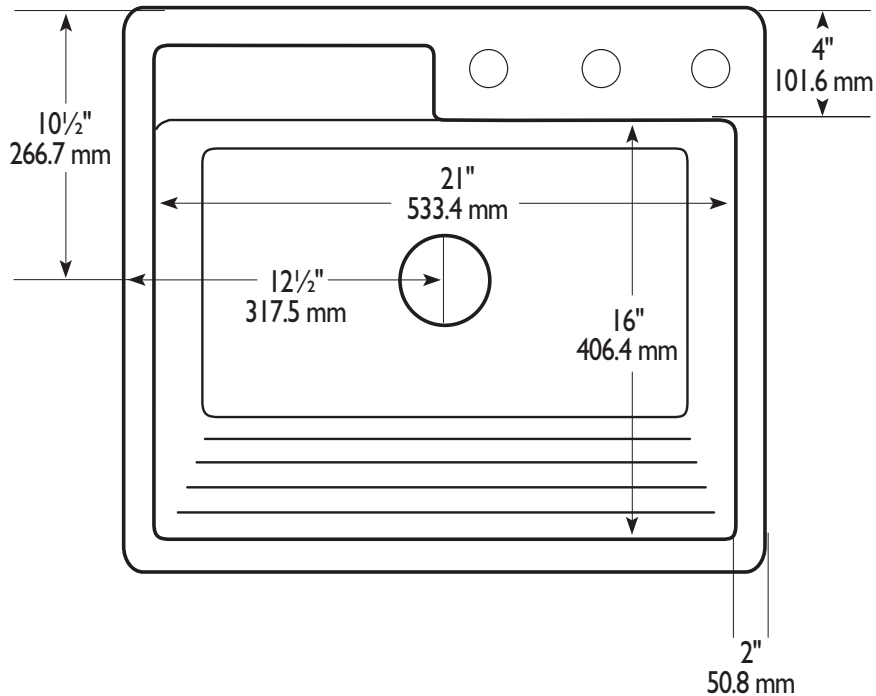
# CorStone®

## WESTERLY MODEL 12

Dimensions: 25" x 22" x 12" / 635 mm x 558.8 mm x 304.8 mm



Cutout Dimensions:  
23" x 20" (584.2 mm x 508 mm)  
with 1" (25.4 mm) radius corners



Available with 1, 2 or 3 faucet holes

Faucet & drain not included



Certified by:  
National Association of Homebuilders (NAHB)  
Research Center and CSA International

Meets or Exceeds:  
CSA B45.0-02 ANSI Z 124.3 - 1995  
CSA B45.5-02 ANSI Z 124.6 - 1997

All designs and specifications  
subject to change without notice

All dimensions are  $\pm 1/4"$  (6.35 mm)

E-mail: [info@corstonesinks.com](mailto:info@corstonesinks.com)

700051 © 2006 CorStone, Inc.  
United States Patents US437,035, US441,853, US442,679, US453,554, US457,944 and other Patents Pending may apply.