

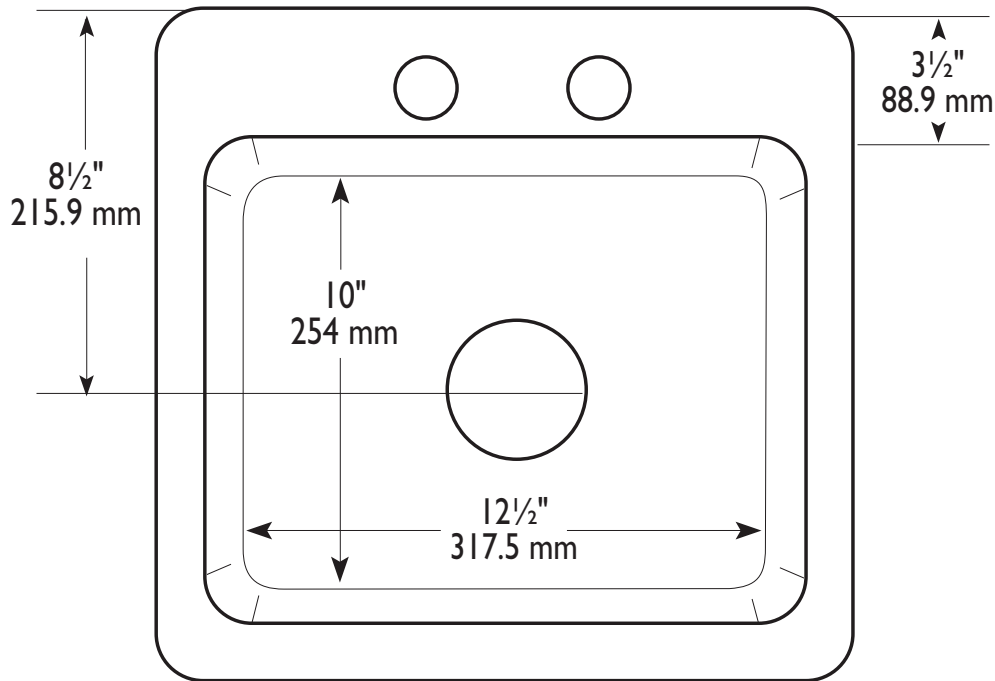
CorStone®

WARREN MODEL 17

Dimensions: 16.5" x 15.5" x 7" / 419.1 mm x 393.7 mm x 177.8 mm



Cutout Dimensions:
14½" x 13½" (368.3 mm x 342.9 mm)
with 1" (25.4 mm) radius corners



Available with 1, 2 or 3 faucet holes (4" or 8" spread) (101.6 mm or 203.2 mm)
Faucet & drain not included



Certified by:
National Association of Homebuilders (NAHB)
Research Center and CSA International

Meets or Exceeds:
CSA B45.0-02 ANSI Z 124.3 - 1995
CSA B45.5-02 ANSI Z 124.6 - 1997

All designs and specifications
subject to change without notice

All dimensions are ±1/4" (6.35 mm)

E-mail: info@corstonesinks.com

700051 © 2006 CorStone, Inc.
United States Patents US437,035, US441,853, US442,679, US453,554, US457,944 and other Patents Pending may apply.