



Installation Guide

For Model:
DE52CH4

Table of Contents:

Safety Tips. pg. 1
Unpacking Your Fan. pg. 2
Parts Inventory. pg. 2
Installation Preparation. pg. 3
Mounting Plate Installation. pgs. 3 - 4
Fan Assembly. pg. 4
Wiring. pgs. 5 - 6
Automated Learning Process./
Activating Code. pgs. 6 - 7
Motor Housing Assembly. pg. 7
Blade Assembly. pg. 7
Light Kit Assembly (Optional). pgs. 8 - 9
Wall Control Operation. pg. 10
Remote Control Operation. pg. 10
Testing Your Fan. pg. 10
Troubleshooting. pg. 11
Warranty. pg. 11
Parts Replacement. pg. 11



net weight of fan: 20.94 lb (9.5 kg)

PRINTED IN CHINA

SAFETY TIPS.

WARNING: To reduce the risk of electrical shock, turn off the electricity to the fan at the main fuse box or circuit panel before you begin the fan installation or before servicing the fan or installing accessories.

1. **READ ALL INSTRUCTIONS AND SAFETY INFORMATION CAREFULLY BEFORE INSTALLING YOUR FAN AND SAVE THESE INSTRUCTIONS.**

CAUTION: To avoid personal injury, the use of gloves may be necessary while handling fan parts with sharp edges.

2. Make sure all electrical connections comply with Local Codes or Ordinances, the National Electrical Code, and ANSI/NFPA 70-1999. If you are unfamiliar with electrical wiring or if the house/building wires are different colors than those referred to in the instructions, please use a qualified electrician.
3. Make sure you have a location selected for your fan that allows clear space for the blades to rotate, and at least seven (7) feet (2.13 meters) of clearance between the floor and the fan blade tips. The fan should be mounted so that the tips of the blades are at least thirty (30) inches (76 centimeters) from walls or other upright structures.
4. The outlet box and ceiling support joist used must be securely mounted, and capable of supporting at least 35 pounds (16 kilograms). The outlet box must be supported directly by the building structure. Use only CUL (Canada) or UL (USA) listed outlet boxes marked "FOR FAN SUPPORT."

WARNING: To reduce the risk of fire, electrical shock, or personal injury, mount to the outlet box marked "Acceptable for Fan Support of 15.9 kg (35 lb) or less," and use the mounting screws provided with the outlet box. Most outlet boxes commonly used for the support of lighting fixtures are not acceptable for fan support and may need to be replaced. Consult a qualified electrician if in doubt.

WARNING: To reduce the risk of fire, electrical shock, or personal injury, wire connectors provided with this fan are designed to accept only one 12 gauge house wire and two lead wires from the fan. If your house wire is larger than 12 gauge or there is more than one house wire to connect to the corresponding fan lead wires, consult an electrician for the proper size wire connectors to use.

5. Electrical diagrams are for reference only. Light kits that are not packed with the fan must be CUL (Canada) or UL (USA) listed and marked suitable for use with the model fan you are installing. Switches must be CUL (Canada) or UL (USA) general use switches. Refer to the instructions packaged with the light kits and switches for proper assembly.
6. After installation is complete, check that all connections are absolutely secure.
7. After making electrical connections, spliced conductors should be turned upward and pushed carefully up into the outlet box. The wires should be spread apart with the grounded conductor and the equipment-grounding conductor on opposite sides of the outlet box.

WARNING: To reduce the risk of fire or electrical shock, do not use this fan with any solid state speed control device or control fan speed with a full range dimmer switch. [Using a full range dimmer switch to control fan speed will cause a loud humming noise from fan.]

8. Do not operate the reverse switch until the fan has come to a complete stop. [**Note:** If using remote control with reverse capability, reverse fan blade direction *only* when on LOW speed.]
9. Do not insert anything between the fan blades while they are rotating.

WARNING: To reduce the risk of personal injury, do not bend the blade arms during assembly or after installation. Do not insert objects into the path of the blades.

WARNING: To avoid personal injury or damage to the fan and other items, be cautious when working around or cleaning the fan.

10. Do not use water or detergents when cleaning the fan or fan blades. A dry dust cloth or lightly dampened cloth will be suitable for most cleaning.

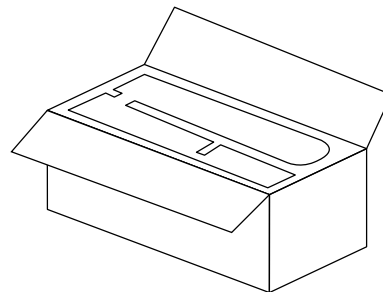
WARNING: To reduce the risk of personal injury, use **only** parts provided with this fan. **The use of parts OTHER than those provided with this fan will void the warranty.**

NOTE: The important safety precautions and instructions appearing in the manual are not meant to cover all possible conditions and situations that may occur. It must be understood that common sense and caution are necessary factors in the installation and operation of this fan.

1. Unpacking Your Fan.

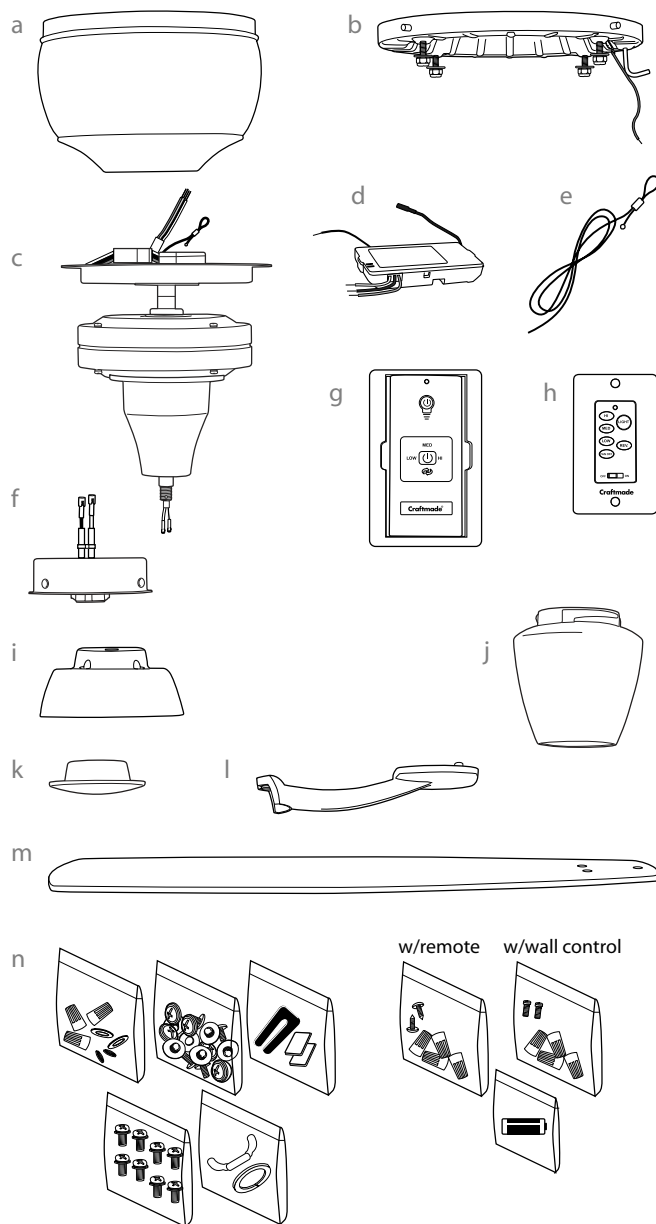
Carefully open the packaging. Remove items from Styrofoam inserts. Remove motor housing and place on carpet or Styrofoam to avoid damage to finish. Do not discard fan carton or Styrofoam inserts should this fan need to be returned for repairs.

Check against parts inventory that all parts have been included.



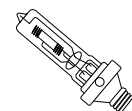
2. Parts Inventory.

- a. motor housing. 1 piece
- b. mounting plate. 1 piece
- c. motor assembly. 1 piece
- d. remote control receiver. 1 piece
- e. safety cable (already attached to motor). 1 piece
- f. light kit fitter. 1 piece
- g. remote control transmitter. 1 piece
- h. wall control and plate. 2 separate pieces
- i. fitter plate. 1 piece
- j. glass shade. 1 piece
- k. metal cover. 1 piece
- l. blade arm. 4 pieces
- m. blade. 4 pieces
- n. hardware packs



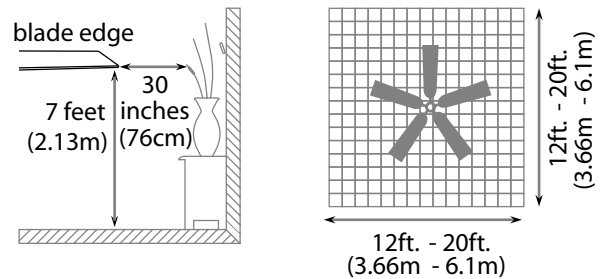
! IMPORTANT REMINDER: You must use the parts provided with this fan for proper installation and safety. **!**

bulb required:
1 x 75 watt max. halogen bulb, type JD E11
(included)



3. Installation Preparation.

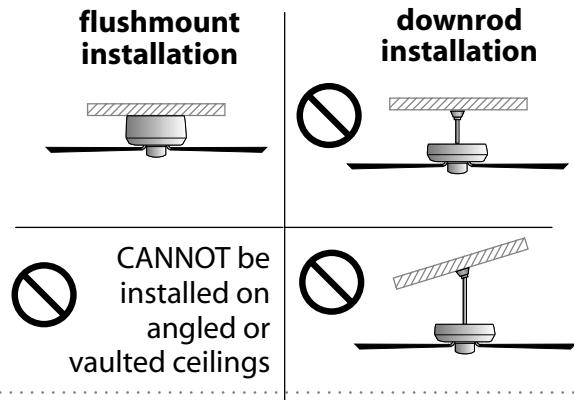
To prevent personal injury and damage, ensure that the hanging location allows the blades a clearance of 7ft. (2.13m) from the floor and 30in. (76cm) from any wall or obstruction. This fan is suitable for room sizes up to 400 square feet (37.2 square meters).



This fan can be mounted *only* as a **flushmount** on a regular ceiling. **Downrod** installations are **not** available for this fan.

Installation requires these tools:

Phillips screwdriver, flat-head screwdriver, adjustable pliers or wrench, stepladder, wire cutters, and rated electrical tape.



4. Mounting Plate Installation.

Turn off circuit breakers to current fixture from breaker panel and be sure operating light switch is turned to the OFF position.

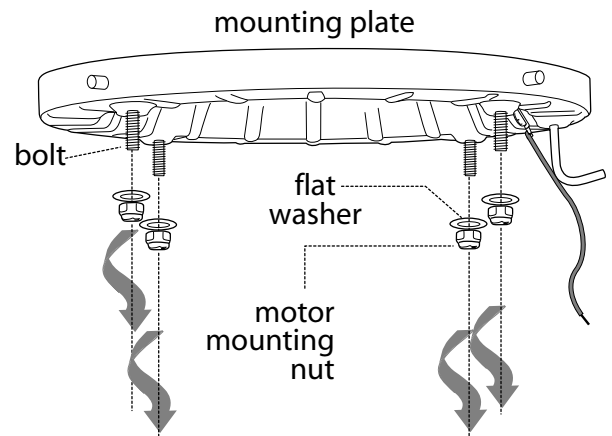
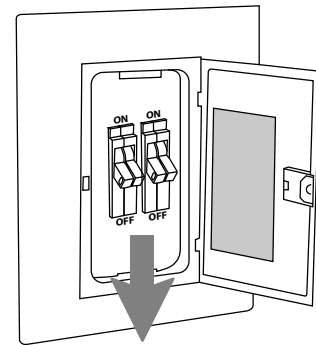
WARNING: Failure to disconnect power supply prior to installation may result in serious injury.

Remove existing fixture.

WARNING: When using an existing outlet box, be sure the outlet box is securely attached to the building structure and can support the full weight of the fan. Ensure outlet box is clearly marked "Suitable for Fan Support." If not, it must be replaced with an approved outlet box. Failure to do so can result in serious injury.

CAUTION: Be sure outlet box is properly grounded and that a ground (**GREEN** or bare) wire is present.

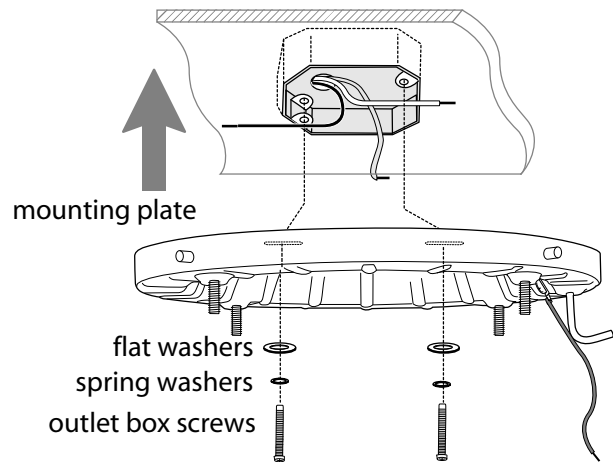
Locate motor mounting nuts and flat washers on underside of mounting plate. Remove 4 motor mounting nuts and flat washers from bolts on mounting plate--save for later use.



4. Mounting Plate Installation. (cont.)

Secure mounting plate to outlet box using original screws, spring washers and flat washers provided with new or original outlet box.* Pull electrical wiring from outlet box through center hole in the mounting plate.

***Note:** It is very important that you use the proper hardware when installing the mounting plate as this will support the fan.



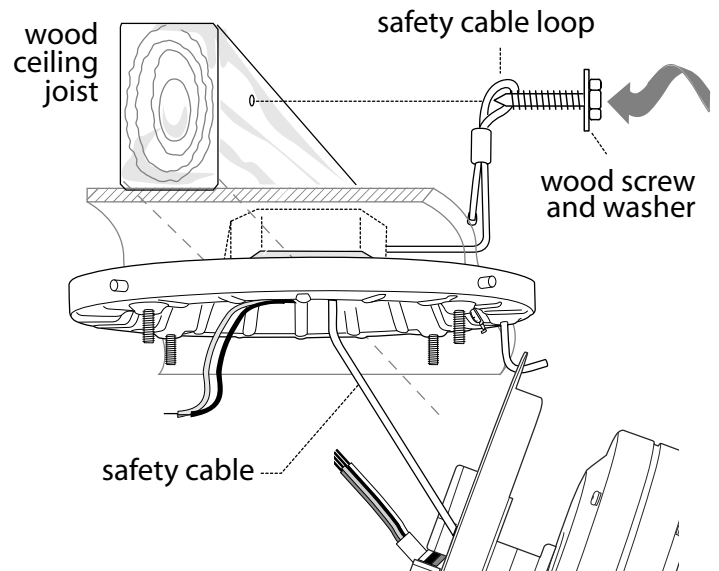
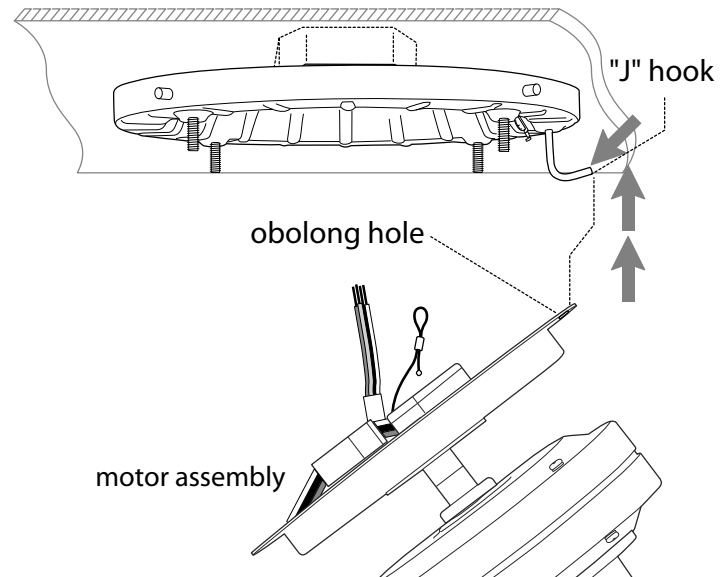
5. Fan Assembly.

With the mounting plate secured to the outlet box and able to support the fan, you are now ready to hang your fan.

Grab the fan firmly with two hands. Lift motor assembly to mounting plate. Use the **oblong** hole in the plate at the top of motor assembly and slide it over the "J" hook on the mounting plate. This will allow motor assembly to hang out of the way while wiring.

Tip: Seek the help of another person to hold the stepladder in place and to lift the fan up to you once you are set on the ladder.

Find a secure attachment point (wood ceiling joist highly recommended) and secure safety cable. It will be necessary to use a heavy duty wood screw, washer and lock washer (not supplied) with the safety cable loop. If necessary, adjust the loop at the end of the safety cable. The loop at the end of the safety cable should just fit over the threads on the wood screw. Extra cable slack can be left in ceiling area.



6. Wiring.

CAUTION: Be sure outlet box is properly grounded and that a ground wire (**GREEN** or Bare) is present.

Make sure all electrical connections comply with Local Codes or Ordinances and the National Electrical Code. If you are unfamiliar with electrical wiring or if the house/building wires are different colors than those referred to in the diagram to the right, please use a qualified electrician.

When fan is secured in place on the mounting plate, **WIRE THE RECEIVER** with wire connectors provided as shown at right.

Tip: While you are wiring, keep in mind that wires must not obstruct receiver from sliding into mounting plate.

* Wrap each wire connector separately with electrical tape as an extra safety measure.

Gently insert receiver (flat side up) into mounting plate and carefully push taped wire connectors into outlet box. Let antenna rest *outside* of mounting plate.

IN ORDER TO WIRE WALL CONTROL, remove existing wall switch. Wire the **WALL CONTROL** with wire connectors provided as shown at right.

* Wrap each wire connector separately with electrical tape as an extra safety measure. Gently push taped wire connectors into outlet box.

Use a ballpoint pen or a small screwdriver to set the code switches 1 through 4 on the wall control. Factory setting is pre-set and not recommended for use. **Write down number sequence for use in Section 7.**

Note: Since this fan comes with a halogen bulb, the dimmer switch (labeled **D** and **X**) has been pre-set to the "ON" position (**D**). If you do not wish to have dimming capability, please move the switch to the "OFF" position (**X**).

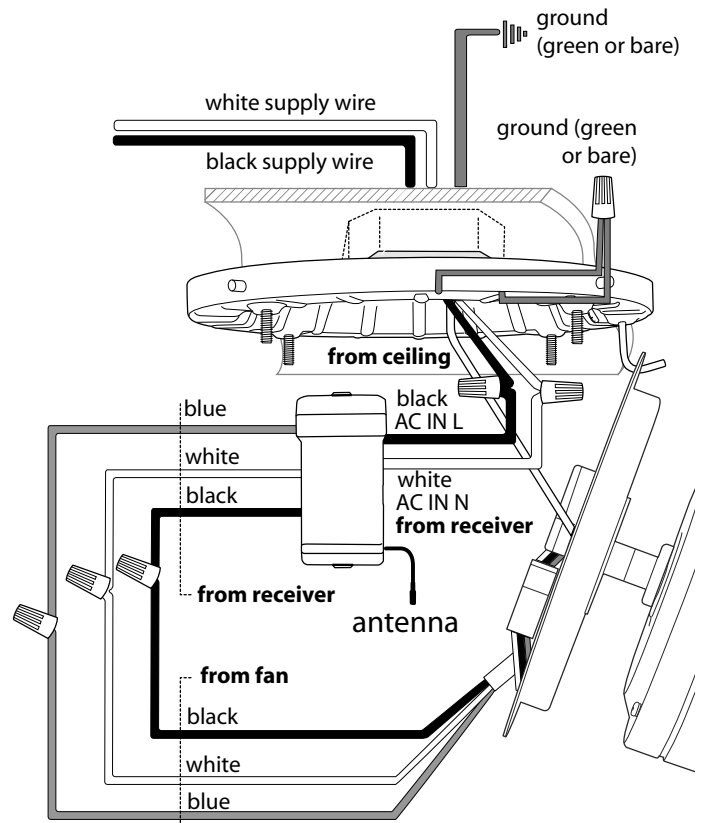
Attach wall control to outlet box and secure with screws from original wall switch. Attach front plate to wall control using 2 screws provided in the wall control.

Modifications not approved by the party responsible for compliance could void the user's authority to operate the equipment.

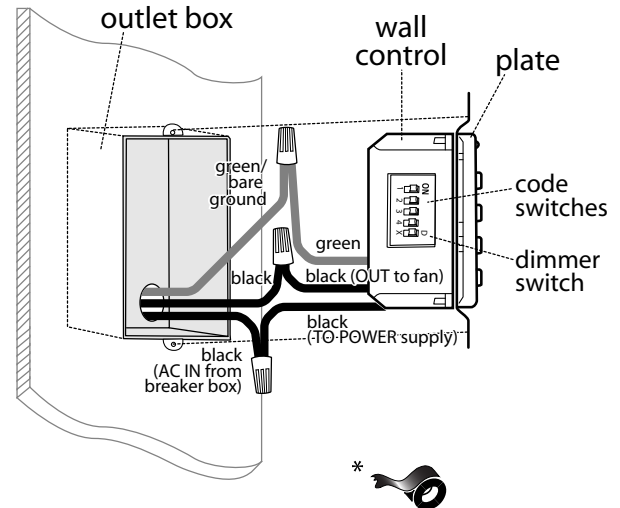
*NOTE: This equipment has been tested and found to comply with the limits for a Class B digital device, pursuant to Part 15 of the FCC Rules. These limits are designed to provide reasonable protection against harmful interference in a residential installation. This equipment generates, uses and can radiate radio frequency energy and, if not installed and used in accordance with the instructions, may cause harmful interference to radio communications. However, there is no guarantee that interference will not occur in a particular installation. If this equipment does cause harmful interference to radio or television reception, which can be determined by turning the equipment off and on, the user is encouraged to try to correct the interference by one or more of the following measures:

- * Reorient or relocate the receiving antenna.
- * Increase the separation between the equipment and receiver.
- * Connect the equipment into an outlet on a circuit different from that to which the receiver is connected.

Consult the dealer or an experienced radio/TV technician for help.



(wiring for receiver)



(wiring for wall control)

6. Wiring. (cont).

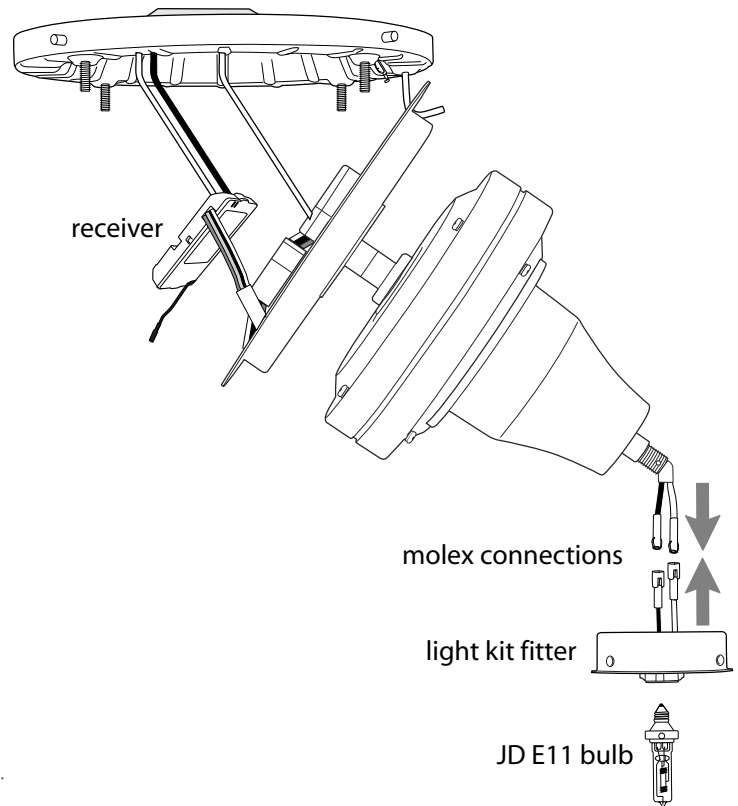
It is advisable to check that the wiring has been done correctly before proceeding. Connect **WHITE** wire from motor assembly to **WHITE** wire from light kit fitter. Connect **BLACK** (or **BLUE**) wire from motor assembly to **BLACK** wire from light kit fitter. Make sure that molex connections are secure.

Install the bulb provided.

Tip: Do not touch glass portion of bulb with fingers or hands. Oil from skin can cause bulb to overheat and go out prematurely. Use cardboard box or foam wrapping bulb was packed with to layer around glass portion of bulb.

IMPORTANT: Please allow bulb to cool down before touching, keeping in mind not to touch the bulb itself as described above (see "Tip").

Continue to "Automated Learning Process/Activating Code" section below.



7. Automated Learning Process./ Activating Code.

CAUTION: The remote control transmitter can be programmed to multiple receivers or fans. If this is not desired, turn wall switch off to any other programmable receiver or fan.

This remote control transmitter is equipped with 16 code combinations to prevent possible interference from or to other remote units such as garage door openers, car alarms or security systems. If you find that your fan and light go on and off without using your remote control, simply change the combination code in your remote control transmitter (and wall control). **To set the code, perform these steps:**

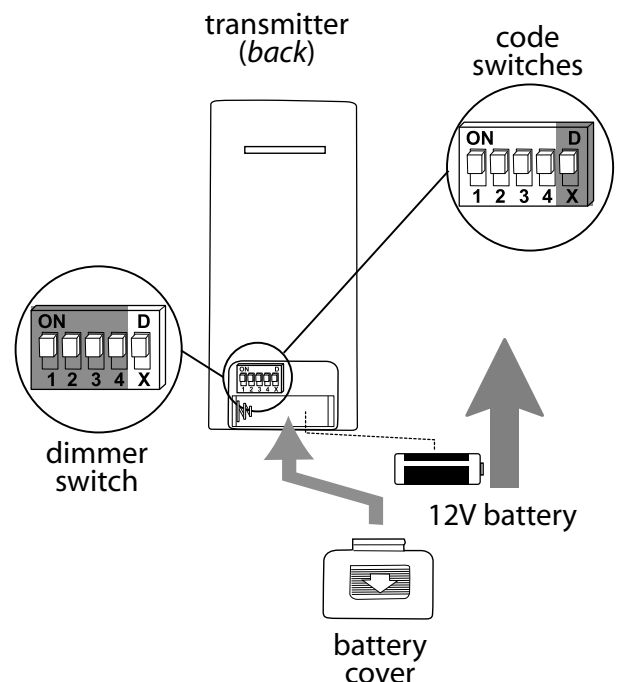
Remove battery cover on back side of remote control transmitter.

Use a ballpoint pen or a small screwdriver to set the code switches 1 through 4 for the transmitter. **Use the same number sequence used when wiring the wall control in Section 6 (page 5).**

Note: Since this fan comes with a halogen bulb, the dimmer switch (labeled **D** and **X**) has been pre-set to the "ON" position (**D**). If you do not wish to have dimming capability, please move the switch to the "OFF" position (**X**).

Install one 12-volt battery (included) in transmitter. Re-attach battery cover on transmitter.

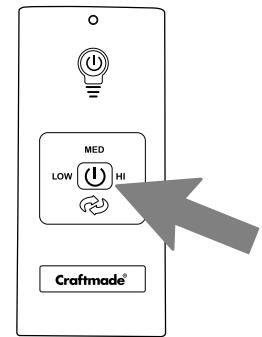
["Automated Learning Process/Activating Code" continued on next page.]



7. Automated Learning Process./ Activating Code. (cont.)

IMPORTANT: Store the transmitter away from excess heat or humidity. To prevent damage to transmitter, remove the battery if transmitter will not used for long periods.

Restore electrical power and then set slider switch on wall control to the ON position. Within 30 seconds of turning on the wall control, press the fan OFF button (⏻), located on the front of the transmitter, for 5 seconds or until light blinks twice. Turn power back off and disconnect molex connections. If the light did blink twice, please continue with "Motor Housing Assembly" below. If light **did not** blink twice, repeat instructions in "Wiring" section.



transmitter
(front)

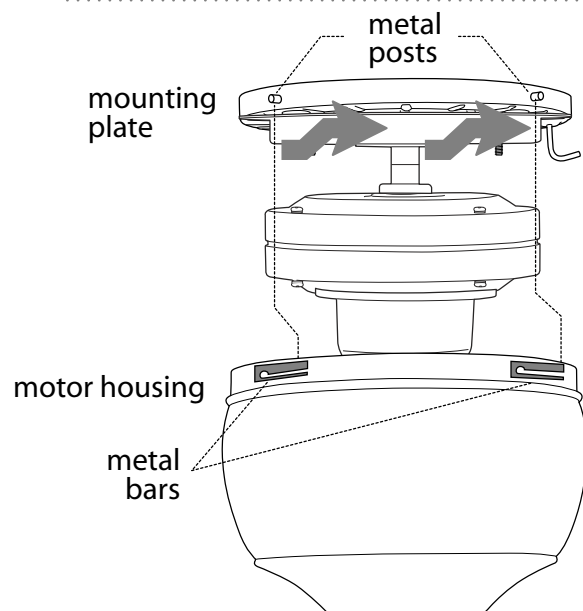
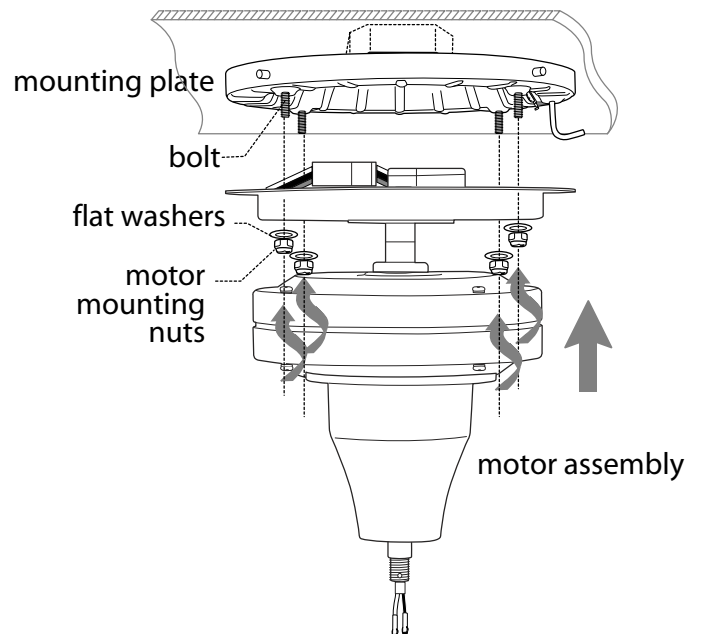
8. Motor Housing Assembly.

Before proceeding, make sure electricity has been **shut off**.

Gently swing motor assembly up to mounting plate, allowing holes on plate at top of motor assembly to align with bolts on underside of mounting plate. Secure motor assembly to mounting plate with motor mounting nuts and flat washers that were previously removed (Section 4, Page 3). Tighten all four motor mounting nuts securely.

Locate 4 small metal posts on the outside edge of the mounting plate. Now, locate the 4 metal bars on the inside of the motor housing. Raise motor housing to mounting plate and align the 4 metal posts on the mounting plate with the 4 metal bars on the motor housing. Turn motor housing *clockwise*, to the **RIGHT**, until it no longer turns so that it locks.

Note: It is extremely important that you make sure that you turn the motor housing *all the way to the right* to ensure that the motor housing is completely secure.



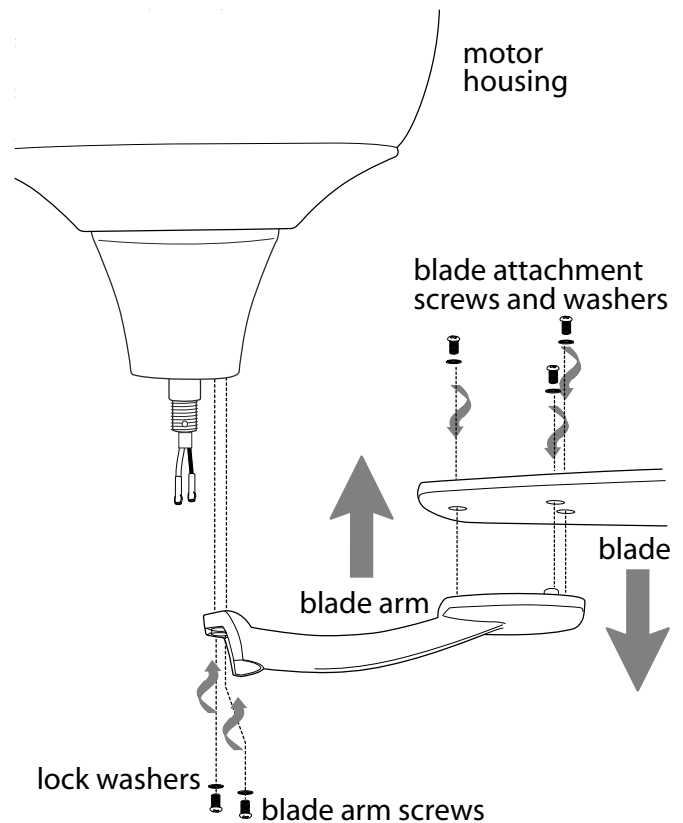
9. Blade Assembly.

Time Saver: Washers for blade screw attachment can be set on each blade screw prior to installing blades.

Locate 12 blade attachment screws and fiber washers in one of the hardware packs. Hold blade arm up to blade and align holes. Insert 3 blade attachment screws (along with fiber washers) with fingers first and then tighten screws securely with a Phillips screwdriver. Repeat procedure for the remaining blades.

Locate 8 blade arm screws and lock washers in one of the hardware packs. Align blade arm holes with motor screw holes and attach blade arm with lock washers and blade arm screws. Before securing screws completely, repeat procedure with remaining blade arms. Secure all screws.

Note: Tighten blade arm screws twice a year.

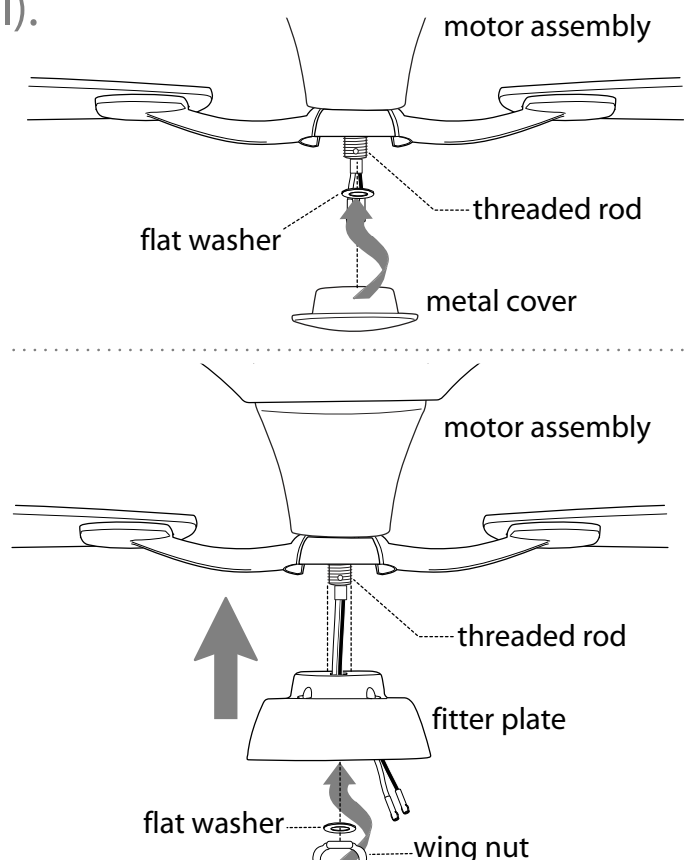


10. Light Kit Assembly (Optional).

If you wish to use your fan WITHOUT the light kit, locate the metal cover. Next, locate flat washer in one of the hardware packs and place flat washer on threaded rod at bottom of motor assembly. Carefully arrange moxex connections inside hole in center of metal cover. Align hole in center of metal cover with threaded rod. Turn metal cover to the RIGHT (clockwise) to secure metal cover. *Please proceed to Section 11 on page 10 to complete installation.*

If you wish to use your fan WITH the light kit, locate wing nut and flat washer in one of the hardware packs. Align hole in middle of fitter plate with threaded rod at bottom of motor assembly, allowing the moxex connections from motor assembly to come through hole in middle of fitter plate. Use flat washer and wing nut to attach fitter plate to motor assembly.

["Light Kit Assembly" continued on next page.]



10. Light Kit Assembly (Optional). (cont.)

Remove 1 screw from post on underside of fitter plate and partially loosen the other 2 screws.

Connect **WHITE** wire from motor assembly to **WHITE** wire from light kit fitter. Connect **BLACK** (or **BLUE**) wire from motor assembly to **BLACK** wire from light kit fitter. Make sure that molex connections are secure.

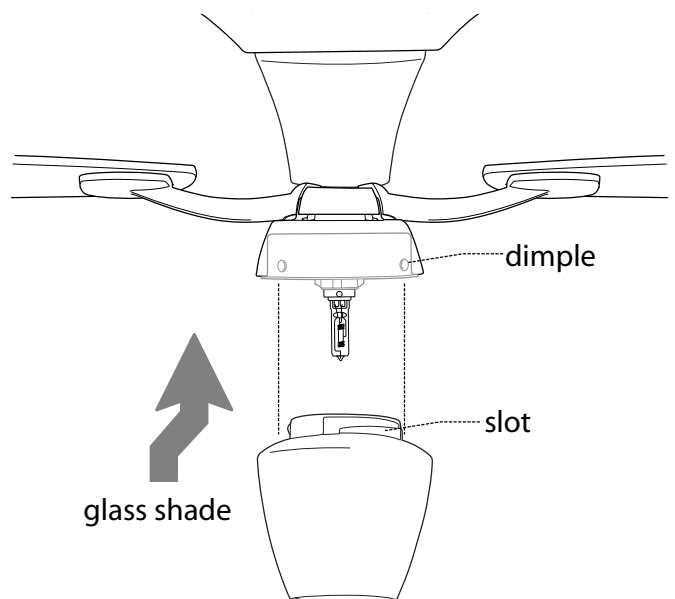
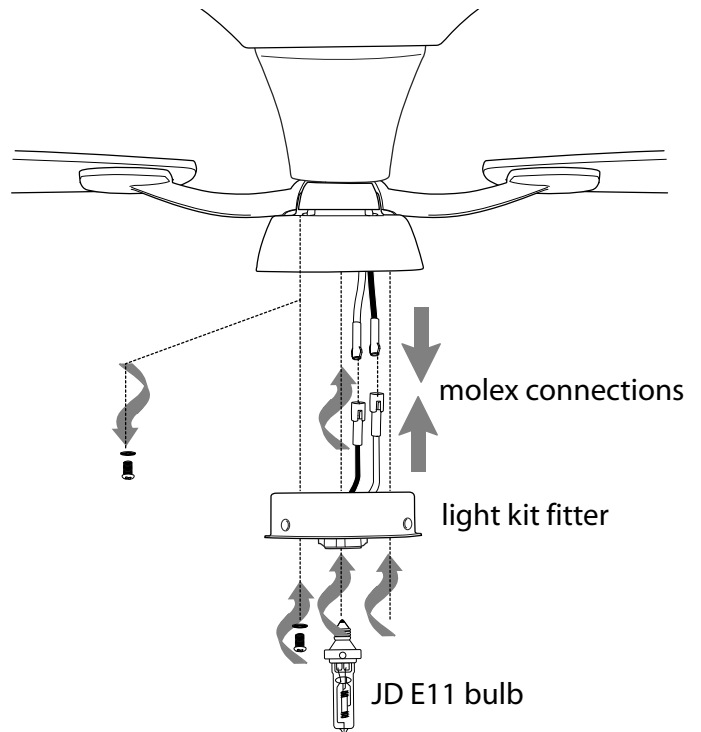
Align slotted holes in light kit fitter with loosened screws in fitter plate. Twist light kit fitter to lock. Re-insert screw that was previously removed and tighten all 3 screws securely.

Install one 75-watt halogen bulb, type JD E11 (included).

Tip: Do not touch glass portion of bulb with fingers or hands. Oil from skin can cause bulb to overheat and go out prematurely. Use cardboard box or foam wrapping bulb was packed with to layer around glass portion of bulb.

Locate slots on glass shade and align with dimples on light kit fitter. Push up gently on glass shade and turn in a clockwise direction until it no longer turns. Pull down *gently* on glass shade to make certain that it is secure.

IMPORTANT: When replacing bulb, please allow bulb and glass shade to cool down before touching. Use 75-watt *max.* halogen bulb, type JD E11, to replace the bulb, keeping in mind not to touch the bulb itself as described above (see "**Tip**").



11. Wall Control Operation.

ON/OFF slider switch - turns *wall control* ON or OFF

HI button - turns *fan* to HIGH speed

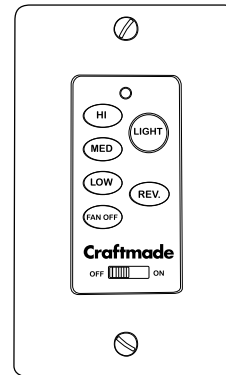
MED button - turns *fan* to MEDIUM speed

LOW button - turns *fan* to LOW speed

FAN OFF button - turns *fan* OFF

REV button - used to REVERSE blade direction (fan must be set on *low* **before** reversing blade direction)

LIGHT button - (**for use with optional light kit**) turns *light* ON/OFF when pressed once; dims *light* when pressed and held down.





12. Remote Control Operation.

HI button - turns *fan* to HIGH speed

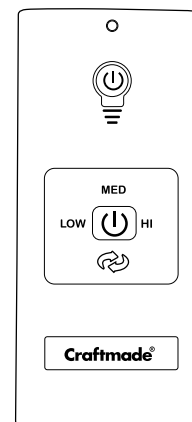
MED button - turns *fan* to MEDIUM speed

LOW button - turns *fan* to LOW speed


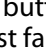
 button - turns *fan* OFF

 button - used to REVERSE blade direction (fan must be turned *low* **before** reversing blade direction)

 button - pushing  button turns *light* ON/OFF; pressing  button and holding it down for more than 0.7 seconds converts it into a dimmer

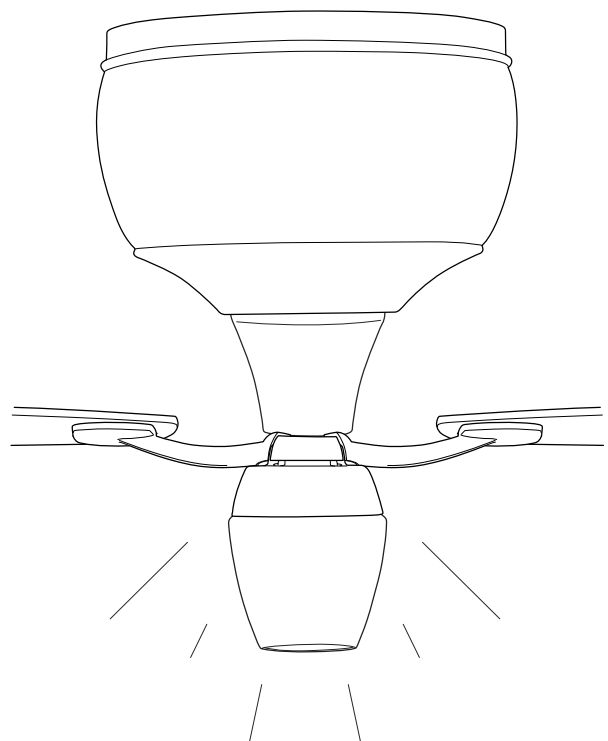


13. Testing Your Fan.

It is recommended that you test fan before finalizing installation. Locate ON/OFF slider switch on wall control and set to the ON position. Test light and dimmer function and then test fan speeds. Next, locate remote control. Start with the lights OFF and test the light ON/OFF function by pressing on the  button. Test the dimmer function by pressing the  button and holding it down for more than 2 seconds. Test fan speeds with the different fan speed buttons. If the remote control operates all of the functions of the fan, battery has been installed correctly. If the wall and/or remote controls do (does) not operate all of the fan functions, refer to "Troubleshooting" section to solve any issues before contacting Customer Service.

Fan *must* be on *LOW* *before* setting the fan to reverse direction. Use REV button to recirculate air depending on the season.

NOTE: If the remote control interferes with other appliances, change code switches on the transmitter (AND wall control) to another code. If you do change the code, **turn power off first**, remove the battery cover, and, after setting the new code, go back to the instructions in the last paragraph of Section 7 (page 7).



Troubleshooting.

WARNING: Failure to disconnect power supply prior to troubleshooting any wiring issues may result in serious injury.

Problem: Fan fails to operate.

Solutions:

1. Check power to wall switch/wall control.
2. Check to be sure code switches in remote control transmitter and wall control are set properly.
3. Verify that receiver is wired properly.
4. Verify that wall control is wired properly.
5. Check to be sure fan is wired properly.
6. Check that red light on remote control transmitter turns on when a button is pressed indicating that the battery is good.
7. Learning process between fan, remote control transmitter and wall control may not have been successful and code was not activated. Turn off power and repeat instructions in next to last paragraph of Section 7 (page 7).

Problem: Fan operates but light fails (if applicable).

Solutions:

1. Check that bulb is installed correctly.
2. Replace defective bulb with same type of bulb.
3. Check to be sure wires in outlet box are wired properly.
4. Verify that molex connections in switch housing are connected properly.

Problem: Fan and light fail to operate with remote control and/or wall control.

Solutions:

1. Check that red light on remote control transmitter turns on when a button is pressed indicating that the battery is good.
2. Check to be sure code switches in remote control transmitter, receiver and wall control are set properly.
3. Learning process between fan, remote control transmitter and wall control may not have been successful and code was not activated. Turn off power and repeat instructions in next to last paragraph of Section 7 (page 7).
4. Check for battery in wall control; verify battery is still good.

Problem: Fan wobbles.

Solutions:

1. Use the balancing kit located in one the hardware packs. *If no blade balancing kit is provided, please call Customer Support, 1-800-486-4892, to request one.*
2. Check to be sure set screw(s) on motor housing yoke is (are) tightened securely.

Warranty.

CRAFTMADE/ELLINGTON LIFETIME WARRANTY:

CRAFTMADE/ELLINGTON warrants this fan to the original household purchaser for indoor use under the following provisions:

1-YEAR WARRANTY: CRAFTMADE/ELLINGTON will replace or repair any fan which has faulty performance due to a defect in material or workmanship. Contact Craftmade/Ellington Customer Service at **1-800-486-4892** to arrange for return of fan. Return fan, shipping prepaid, to Craftmade/Ellington. We will repair or ship you a replacement fan, and we will pay the return shipping cost.

5-YEAR WARRANTY: CRAFTMADE/ELLINGTON will repair or replace at no charge to the original purchaser any fan motor that fails to operate satisfactorily when failure results from normal use.

RETURN FAN MOTOR ONLY, shipping prepaid, to Craftmade/Ellington. We will repair or ship purchaser a replacement motor and Craftmade/Ellington will pay the return shipping cost.

6-YEAR to LIFETIME LIMITED WARRANTY:

CRAFTMADE/ELLINGTON will repair the fan, at no charge for labor only to the original purchaser, if the fan motor fails to operate satisfactorily when failure results from normal use. Parts used in the repair will be billed to the purchaser at prevailing prices at time of repair.

The purchaser shall be responsible for all costs incurred in the removal, reinstallation and shipping of the product for repairs.

This warranty does not apply when damage from mechanical, physical, electrical or water abuse results in causing the malfunction. Deterioration of finishes or other parts due to time or exposure to salt air is specifically exempted under this warranty.

Neither Craftmade/Ellington nor the manufacturer will assume any liability resulting from improper installation or use of this product. In no case shall the company be liable for any consequential damages for breach of this, or any other warranty expressed or implied whatsoever. This limitation as to consequential damages shall not apply in states where prohibited.

Parts Replacement.

For parts and information, please refer to "Parts Inventory" on page 2.

Craftmade/Ellington Customer Support:

1-800-486-4892

www.craftmade.com

Craftmade

CEILING FANS

Est. 1985