

**SPECIFICATIONS**

**PARMA™ TRIM LINE SINGLE HANDLE LAVATORY FAUCET**

**Model**

D236058  
D228058T (w/o escutcheon)

**Description**

- Ceramic disc valve
- 4" high spout, 5" spout length
- Metal touch down drain assembly
- Single hole mount with optional deck plate

**Standards**



Certified to NSF/ANSI 61 Section 9

- NSF 61-9
- Energy Policy Act of 1992



NSF/ANSI 372

- ASME A112.18.1/A112.18.1
- NSF/ANSI 372
- CSA B125.1

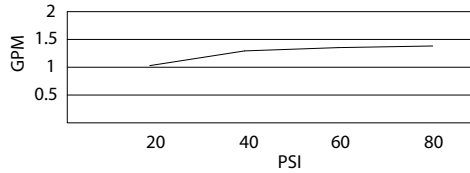


- ADA Accessibility Guidelines for Buildings and Facilities - 4.27.4 Controls and Mechanisms

**Warranty**

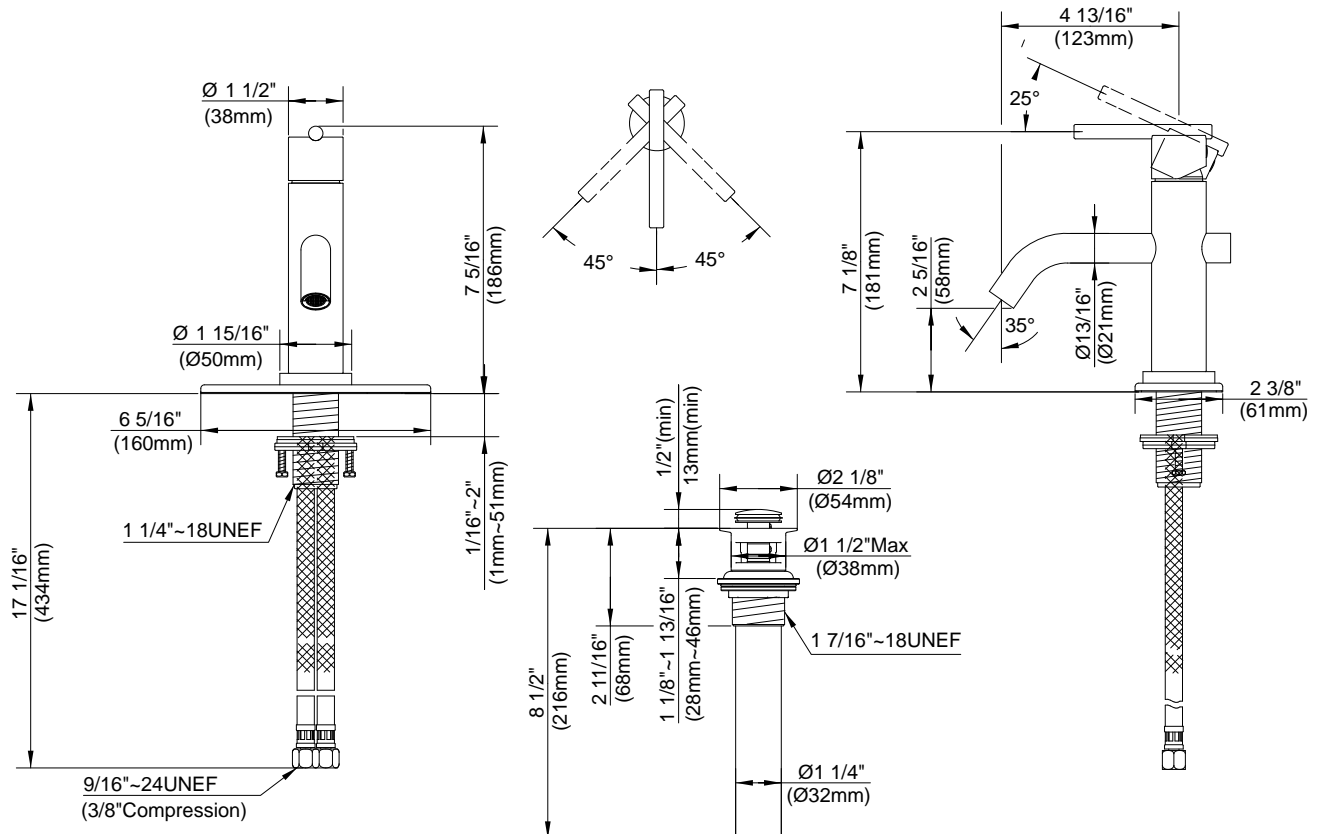
Danze products are covered by a manufacturer's limited "lifetime" warranty for manufacturing defects.

**Flow Rate**



**Finishes Available**

- Chrome
- Other: Refer to Price List for additional finish



**Submittal Information:**

Job Name: \_\_\_\_\_  
Contractor: \_\_\_\_\_

Location: \_\_\_\_\_  
Contact #: \_\_\_\_\_