

SPECIFICATIONS

OPULENCE™ SINGLE HANDLE KITCHEN FAUCET

Model

D401557 (Replaces D404214 series)

Description

- Ceramic disc valve
- 12" high spout, 9" spout length
- Matching brass spray
- 2 hole mount

Standards



- NSF 61-9
- Energy Policy Act of 1992

Certified to NSF/ANSI 41 Section 9



NSF/ANSI 372

- ASME A112.18.1/A112.18.1
- NSF/ANSI 372
- CSA B125.1

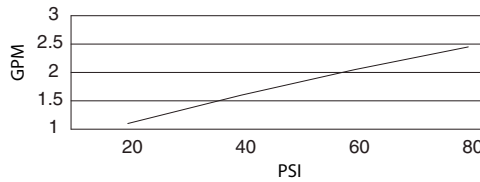


- ADA Accessibility Guidelines for Buildings and Facilities - 4.27.4 Controls and Mechanisms

Warranty

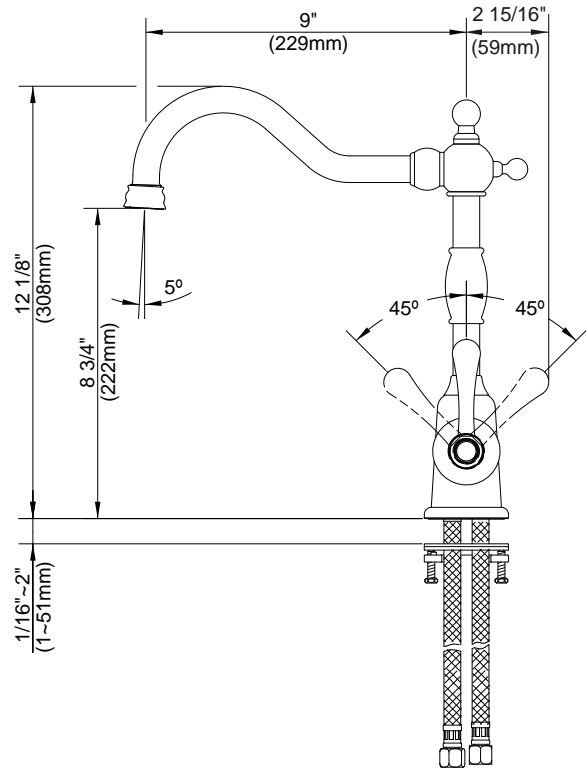
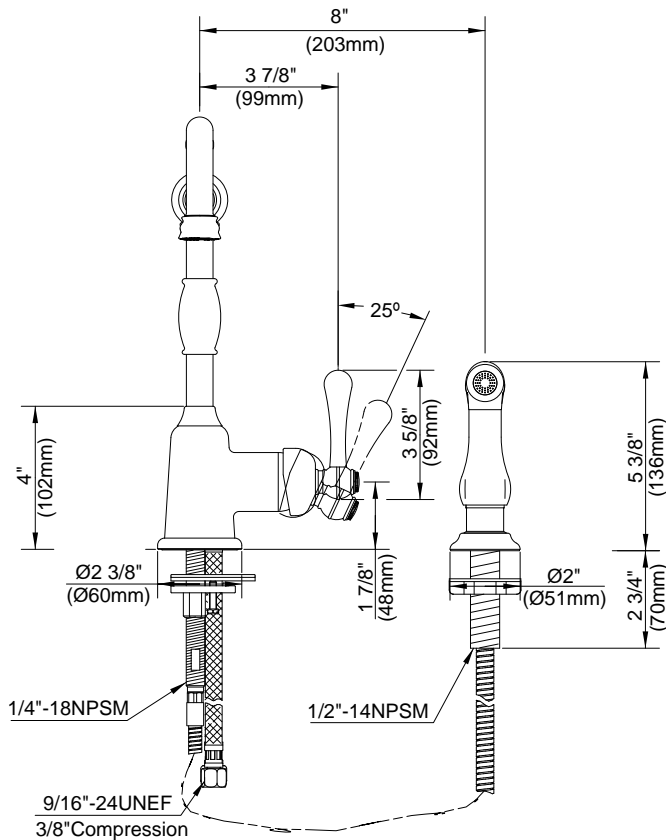
Danze products are covered by a manufacturer's limited "lifetime" warranty for manufacturing defects.

Flow Rate



Finishes Available

- Chrome
- Other: Refer to Price List for additional finish



Submittal Information:

Job Name: _____
 Contractor: _____

Location: _____
 Contact #: _____