

SPECIFICATIONS

ANTIOCH™ SINGLE HANDLE LAVATORY FAUCET

Model

D225522

Description

- Ceramic disc valve DA507906N
- Laminar flow 1.5 gpm maximum aerator @ 60 psi, DA603050N-51
- Metal lever handle
- 50/50 touch-down drain assembly
- Single hole mount, 6" high spout, 5 1/4" spout length'
- Optional 4" deckplate DA607568 available for 3 hole installation (sold separately)

Standards



- NSF 61-9
- Energy Policy Act of 1992



NSF/ANSI 372

- ASME A112.18.1M/A112.18.1
- NSF/ANSI 372

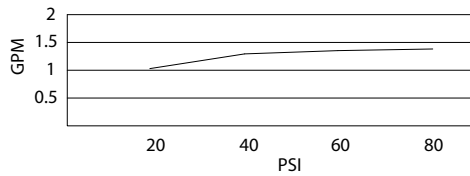


- ADA Accessibility Guidelines for Buildings and Facilities - 4.27.4 Controls and Mechanisms

Warranty

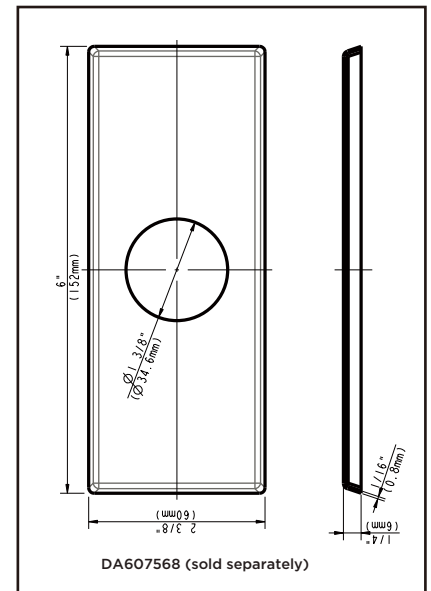
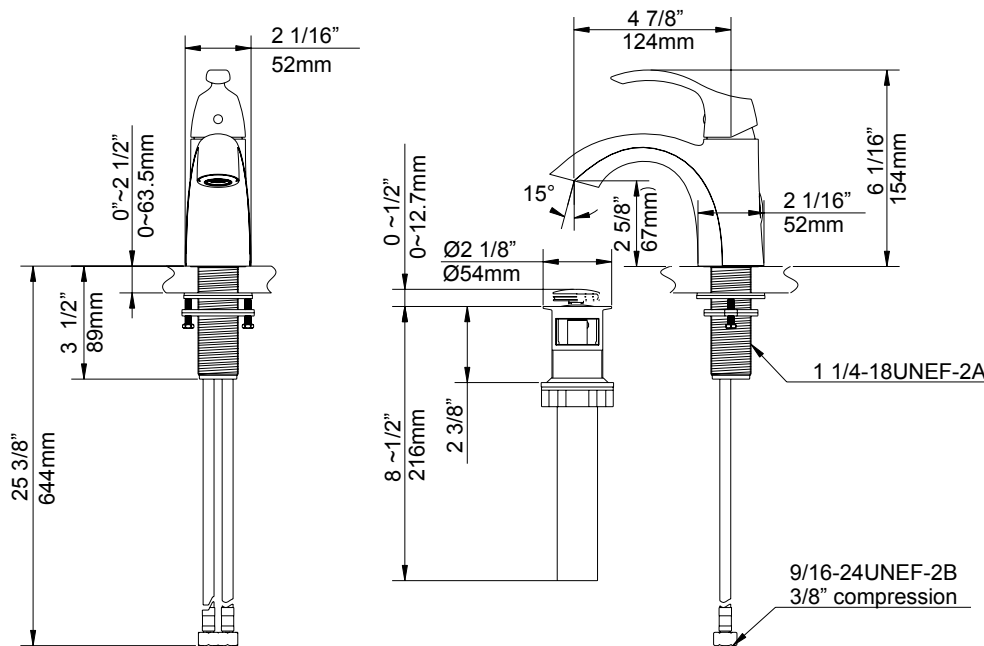
Danze products are covered by a manufacturer's limited "lifetime" warranty for manufacturing defects.

Flow Rate



Finishes Available

- Chrome
- Other: Refer to Price List for additional finish



Submittal Information:

Job Name: _____
 Contractor: _____

Location: _____
 Contact #: _____