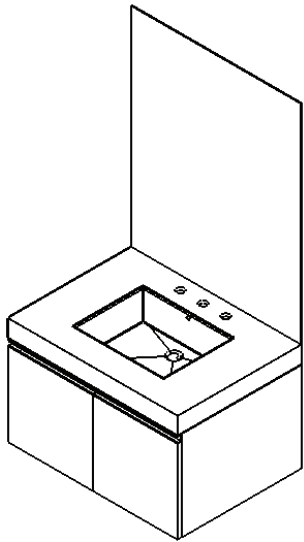
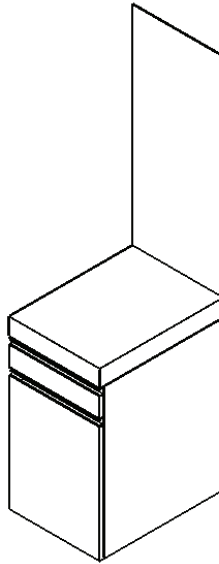




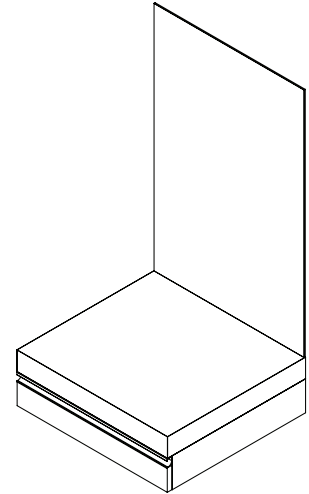
5600 KIT



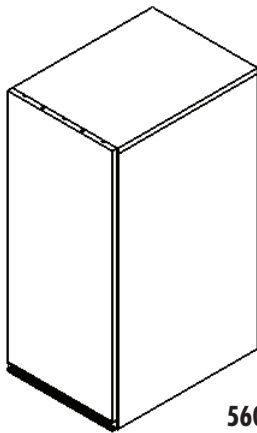
5600-1



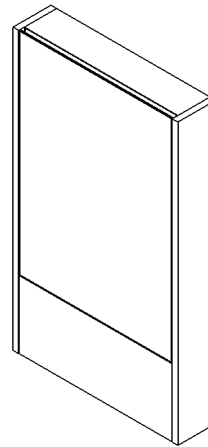
5600-2



5600-3



5600-4



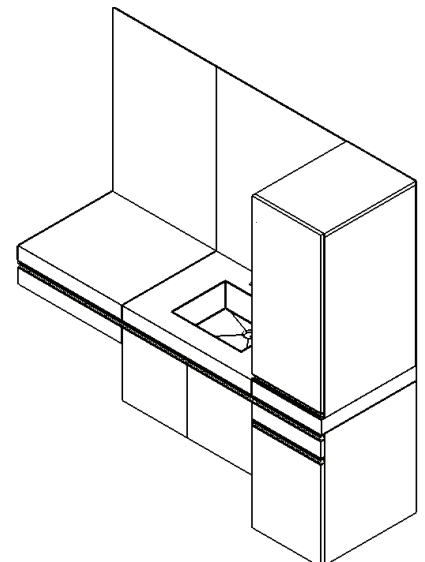
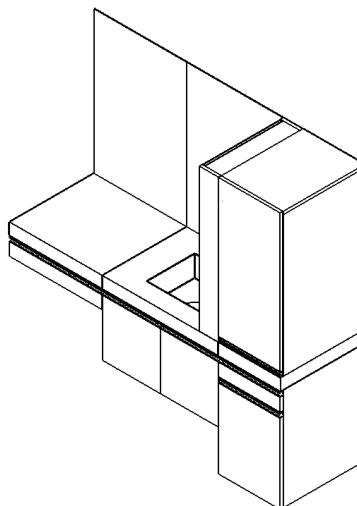
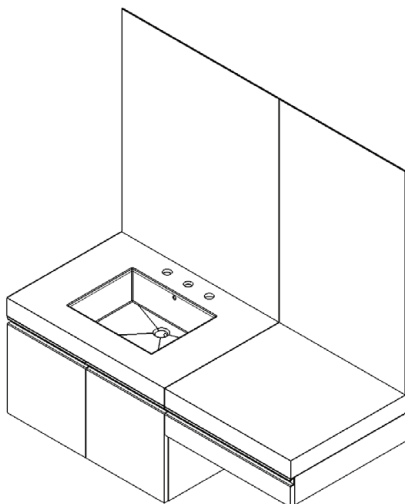
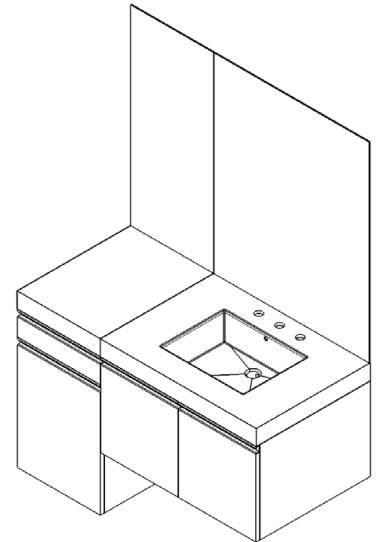
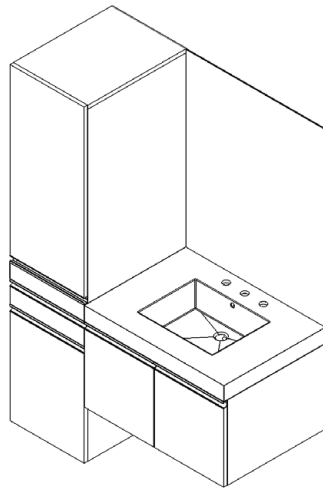
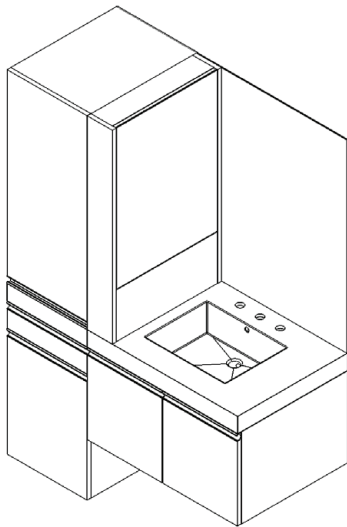
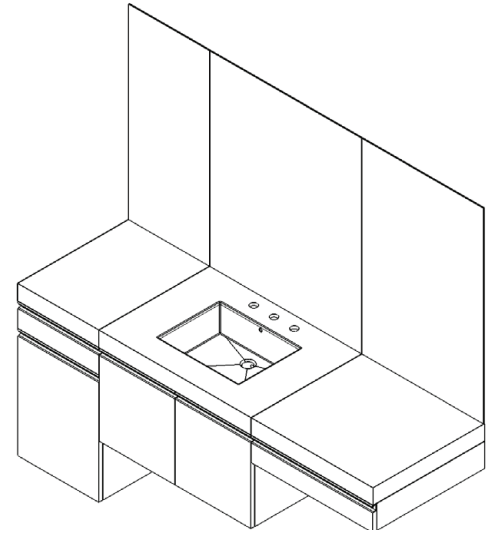
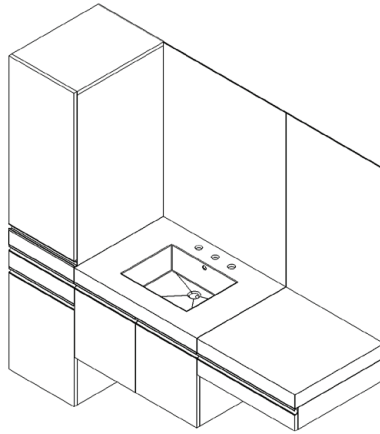
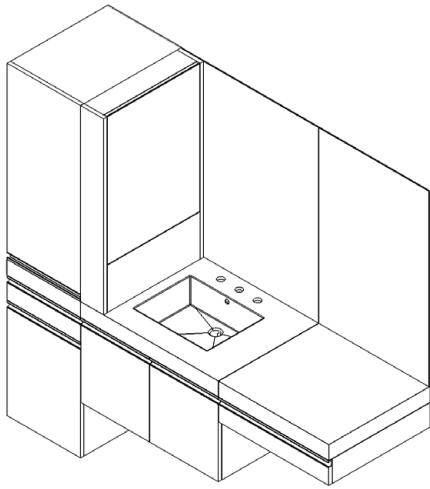
5600-5

TABLE OF CONTENTS

<b>Installation Instructions</b>	<b>PAGE</b>
○ Product Configurations.....	2
○ 5600-1 Installation Instructions.....	6
○ 5600-2 Installation Instructions.....	16
○ 5600-3 Installation Instructions.....	25
○ 5600-4 Installation Instructions.....	32
○ 5600-5 Installation Instructions.....	41
○ Care and Cleaning.....	51
○ Full Lifetime Warranty.....	51

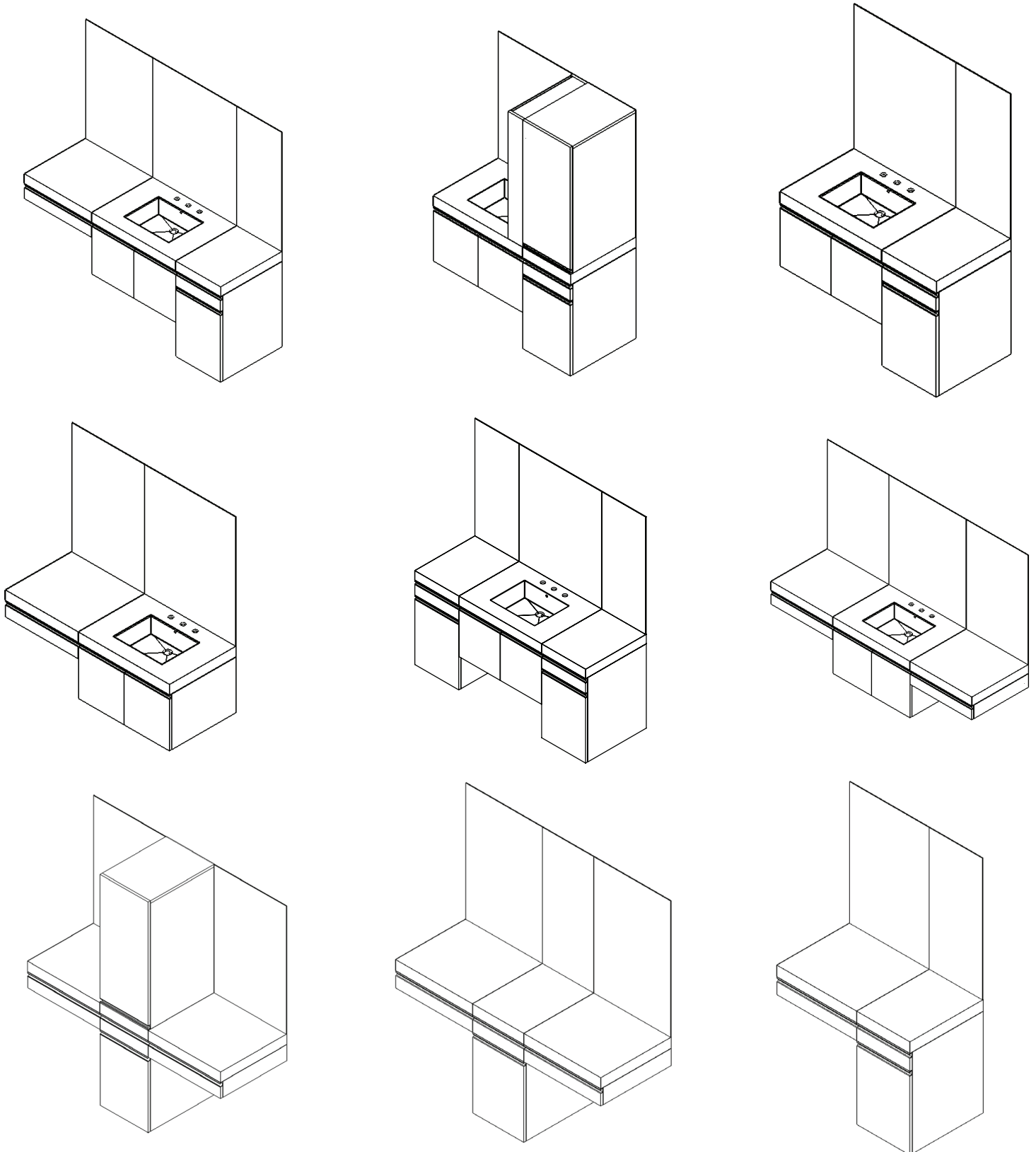


PRODUCT CONFIGURATIONS



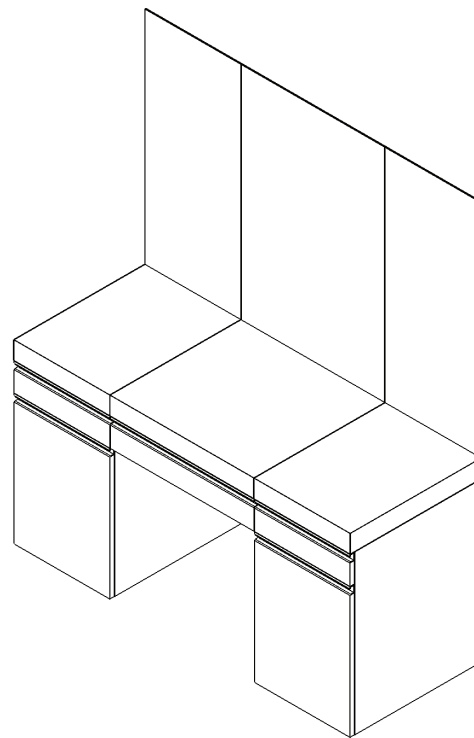
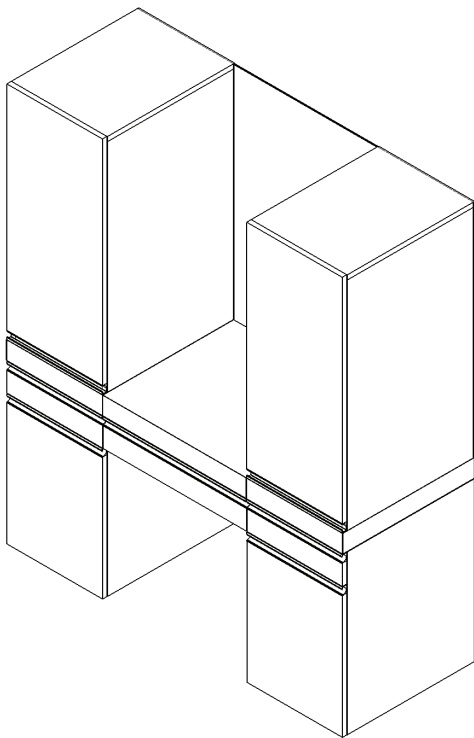
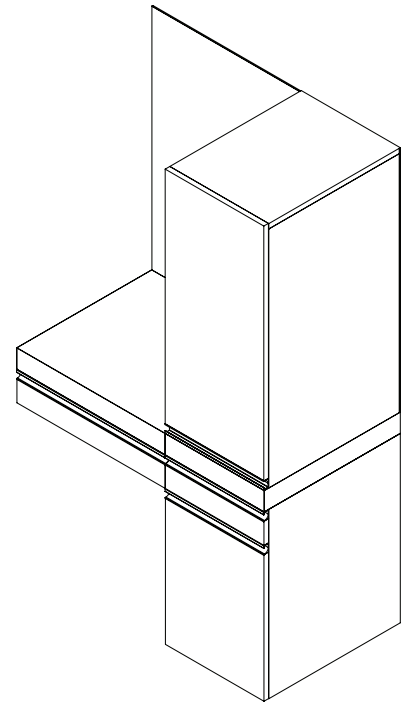
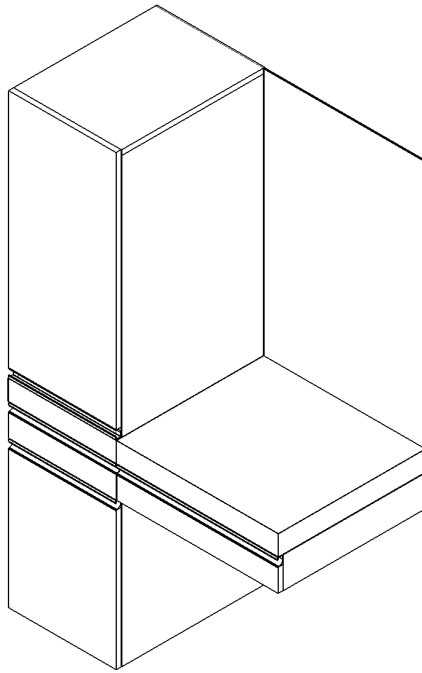
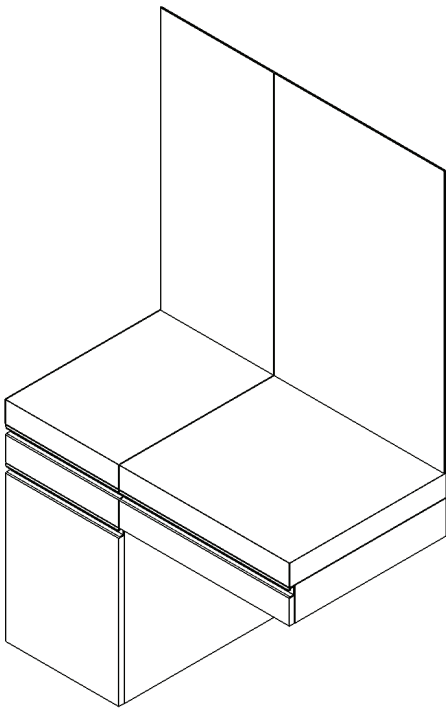


PRODUCT CONFIGURATIONS





PRODUCT CONFIGURATIONS





DECOLAV®

MODEL NUMBER: 5600 SERIES

THANK YOU

Dear Valued Customer,
DECOLAV® would like to take this opportunity to thank you for your purchase – It is our sincere hope that you are completely satisfied with your new product. We welcome and look forward to helping you create another unique look for your next bathroom project.

Prior to installation, please take a moment to review all provided materials and hardware. For assistance with your new product, please contact our dedicated DECOLAV® customer service staff.

Sincerely,

Handwritten signature of Robert H. Mayer

Robert H. Mayer
Chief Executive Officer and President



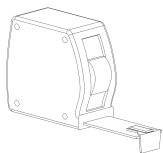
DECOLAV®

CHANGING THE WAY YOU VIEW THE BATHROOM®

BEFORE YOU BEGIN

- 1. Prior to installation, unpack your new DECOLAV® product and inspect it. Keep the product in its original package until you are ready to install it.
2. The wall must be square, plumb and level.
3. Shut the water supply off when replacing an existing fixture. Preparation of the floors and walls, including all additional wall supports, may be required.
4. Observe all local plumbing and building codes.
5. It is recommended that this installation be done with a minimum of two people. Do not install this fixture alone.

RECOMMENDED TOOLS



Tape Measure



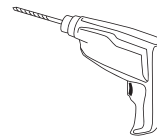
Adjustable Wrench



Pipe Clamp



Channel Locks



Drill



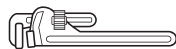
Hacksaw



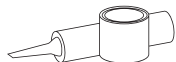
Level



Phillips Screwdriver



Pipe Wrench



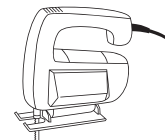
Plumber's Putty or Caulking



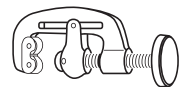
Putty Knife



Flathead Screwdriver



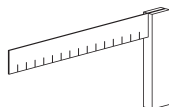
Scroll Saw



Pipe Cutter



Pencil



Square



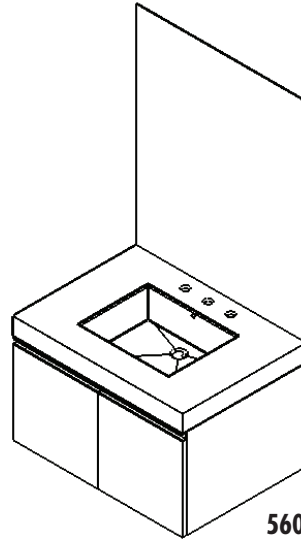
Ruler

Customer Service: 561-274-2110
www.decolav.com

LET YOUR DREAMS COME ALIVE, YOUR PASSIONS
BECOME REALITY, BE THE ENVY OF YOUR NEIGHBORS®

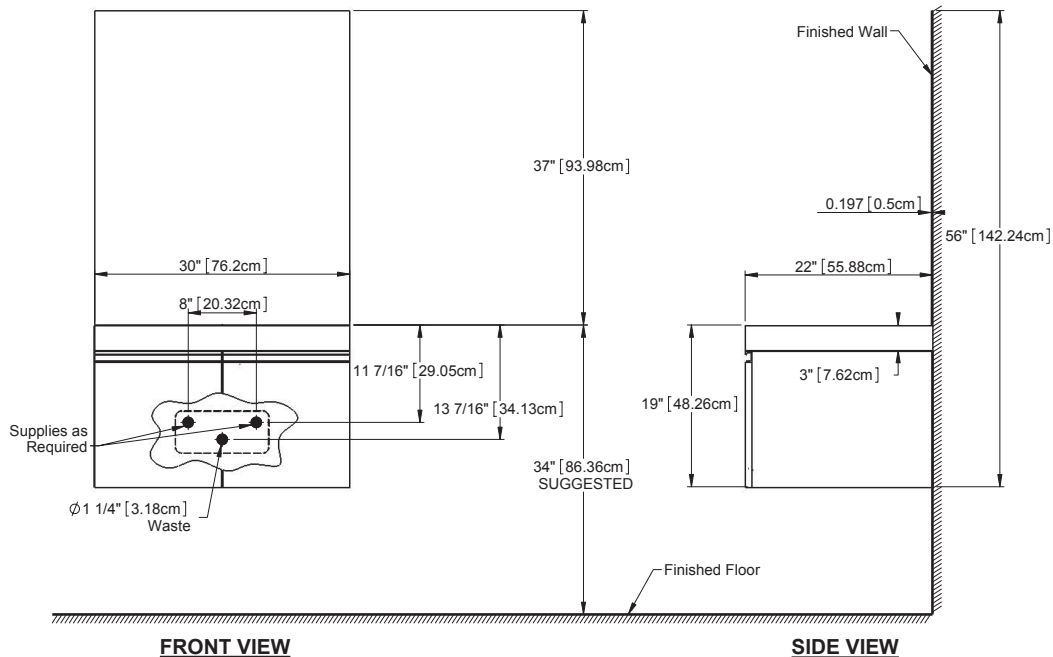
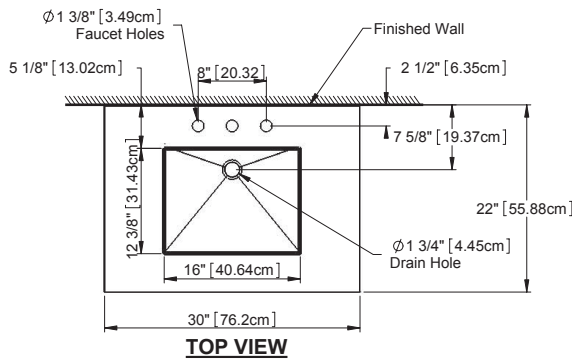


PRODUCT DESCRIPTION



5600-1

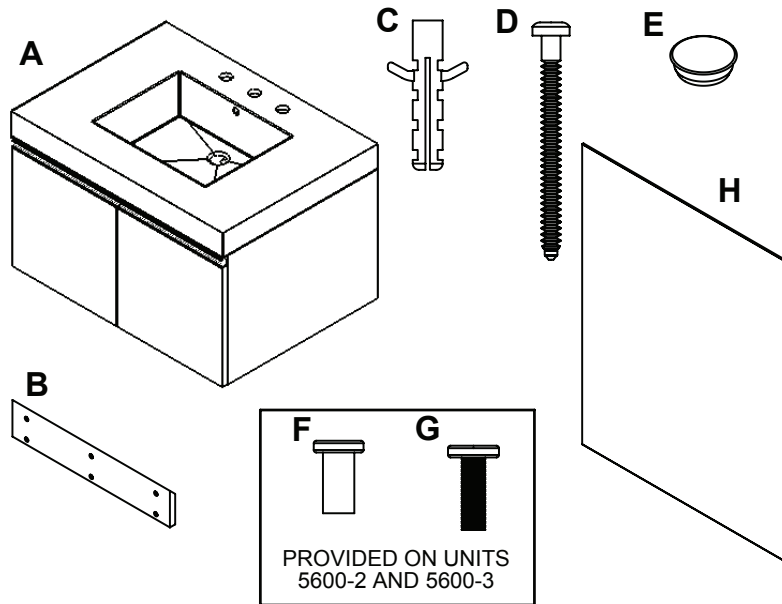
ROUGHING-IN DIMENSIONS





PARTS

Item	Description	Qty
A	Vanity assembly	1
B	Wall wood support	1
C	Anchor	10
D	Wall screw	10
E	Hole plug	12
F	Side mounting female screw	Provided on other 5600 units
G	Side mounting male screw	Provided on other 5600 units
H	Mirror	1





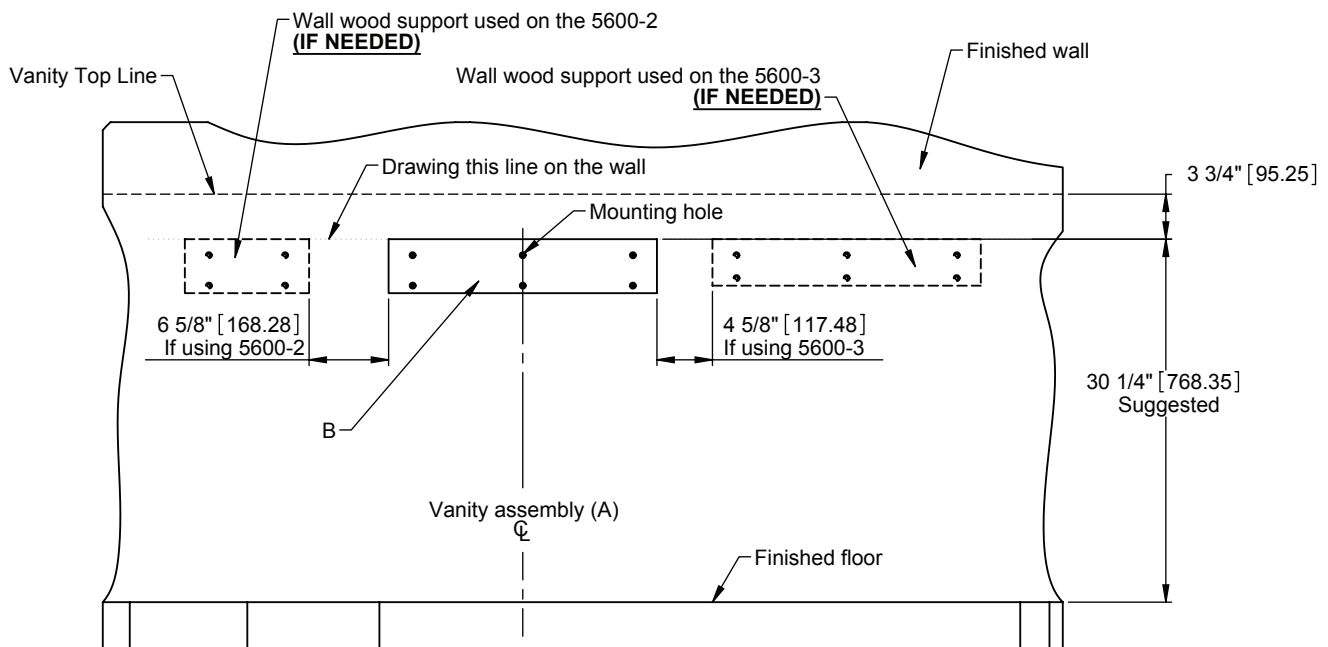
## INSTALLATION INSTRUCTIONS

## • STEP #1

- Take measurement off floor and use a level to get a straight line for the **Wall wood support (B)**.
- Temporarily hold **Wall wood support (B)** up to desired location and mark the holes for **Anchors (C)** Location.
- Refer to **Figure #1** for all mounting measurements.

**NOTES:**

- IF USING THE 5600-2 AND/OR 5600-3 REFER TO Figure #1 FOR MEASUREMENTS FOR WALL WOOD SUPPORT MOUNTING.
- 5600-2 AND 5600-3 CAN BE USED ON RIGHT OR LEFT SIDE AS NEEDED.







## INSTALLATION INSTRUCTIONS

## • STEP #2

- Drill holes in the wall where marks were put and insert **Anchors (C)**.
- Mount **Wall wood support (B)** to the wall using the **Wall screws (D)**.
- Refer to **Figure #2**.

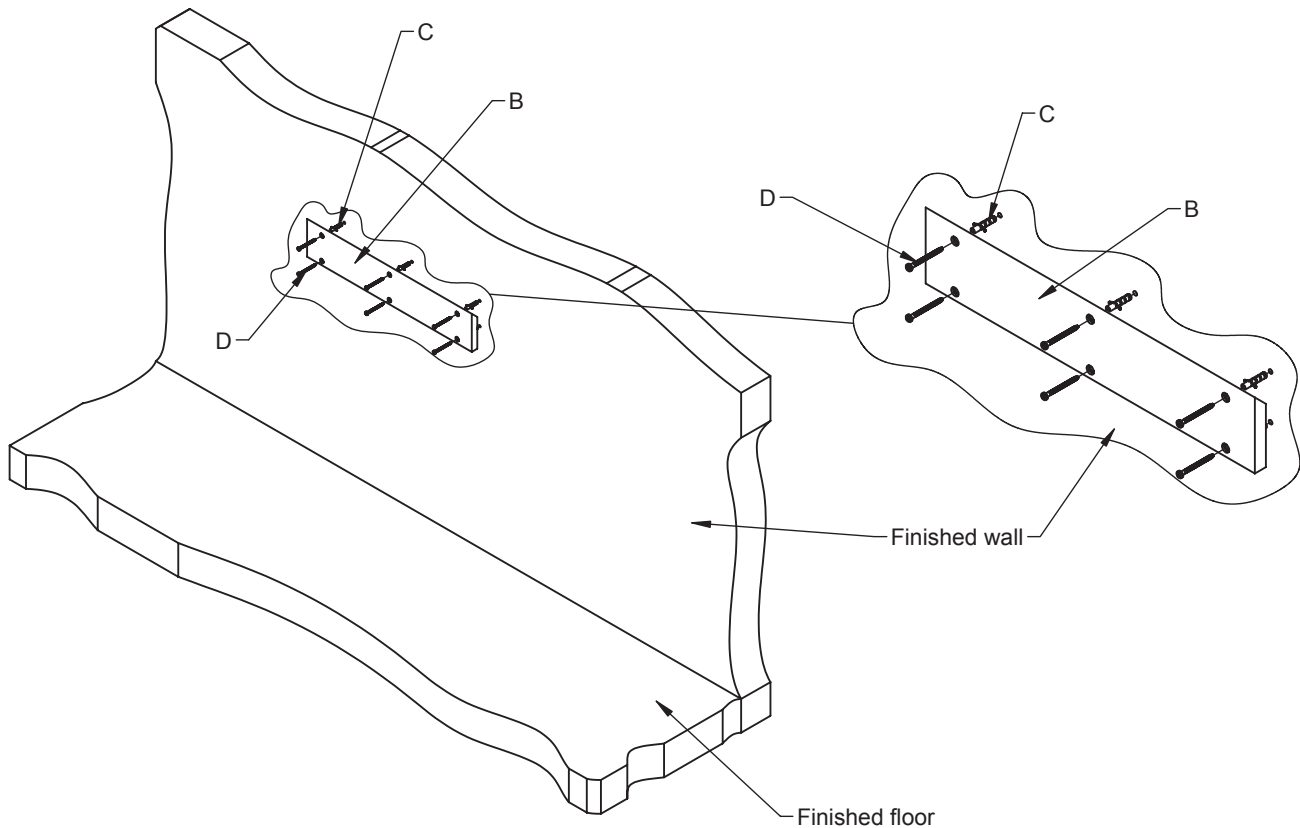


Figure #2



## INSTALLATION INSTRUCTIONS

• **STEP #3 (If using alone skip to step 4)**

- Drill through holes that are already pre-drilled using a 6.5mm drill bit on the side of the **Vanity Assembly (A)** where the 5600-2 or 5600-3 is being attached. If using both 5600-2 and 5600-3 drill holes on both side of **Vanity Assembly (A)**.
- **NOTE: REFER TO OTHER UNIT (5600-2 AND/OR 5600-3) TO DETERMINE WHAT HOLES ARE NEED TO BE DRILLED THROUGH.**
- With assistance attach **Vanity Assembly (A)** and other desired unit together using **Side mounting female screw (F)** and **Side mounting male Screw (G)**.
- Place **Hole Plug (E)** in hole to cover screw.
- Refer to **Figure #3**.
- **NOTE: SIDE MOUNTING FEMALE SCREW (F) AND SIDE MOUNTING MALE SCREW (G) PROVIDED ON UNITS 5600-2 AND 5600-3.**

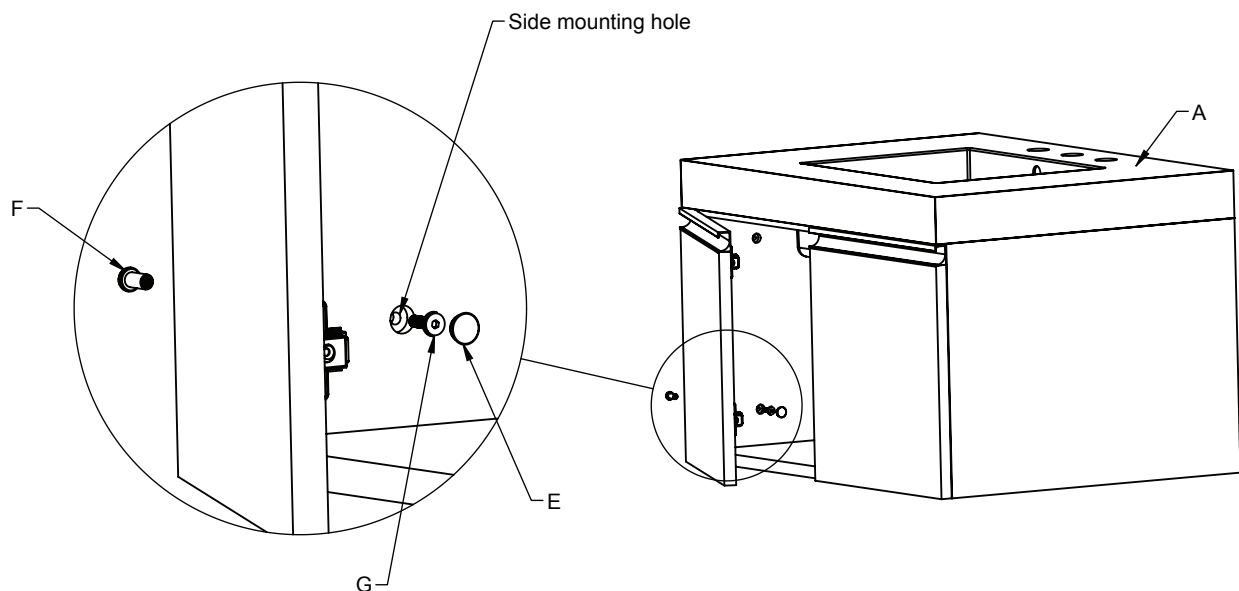


Figure #3



## INSTALLATION INSTRUCTIONS

## • STEP #4

- Temporally place **Vanity Assembly (A)** and other desired unit previously attached in place on wall.
- **NOTE: Line up Vanity assembly back Support with Wall wood support (B) so that the unit hangs above the floor and flush against the wall.**
- Mark holes at back of **Vanity Assembly (A)** and other desired unit previously attached for placement of **Anchors (C)**.
- Pull **Vanity Assembly (A)** and other desired unit previously attached off wall and drill marked holes in wall and **insert Anchors (C)**.
- Place **Vanity Assembly (A)** and other desired unit previously attached back on to wall and line up all holes and attach using **Wall screws (D)**.
- Use **Hole Plug (E)** to cover all viewable holes on **Vanity Assembly (A)**.
- Refer to **Figure #4**.

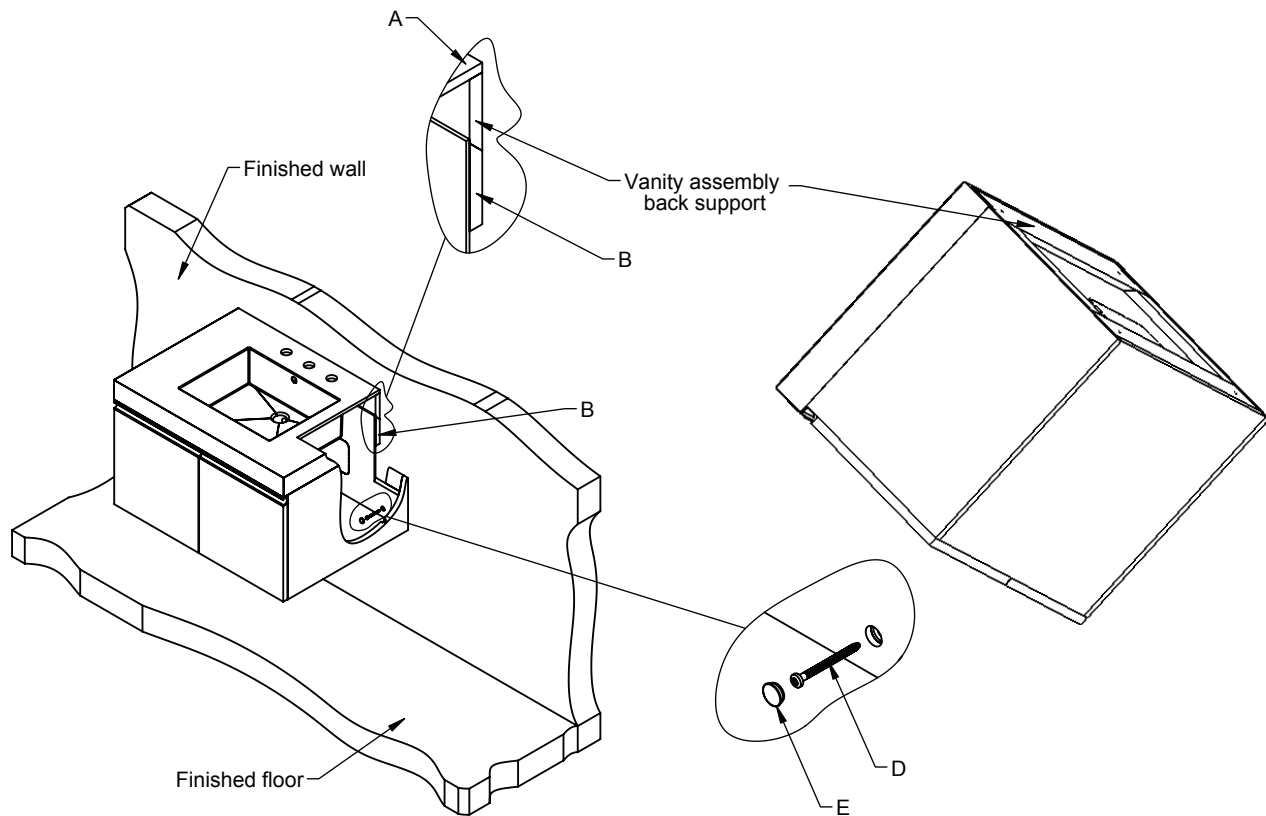


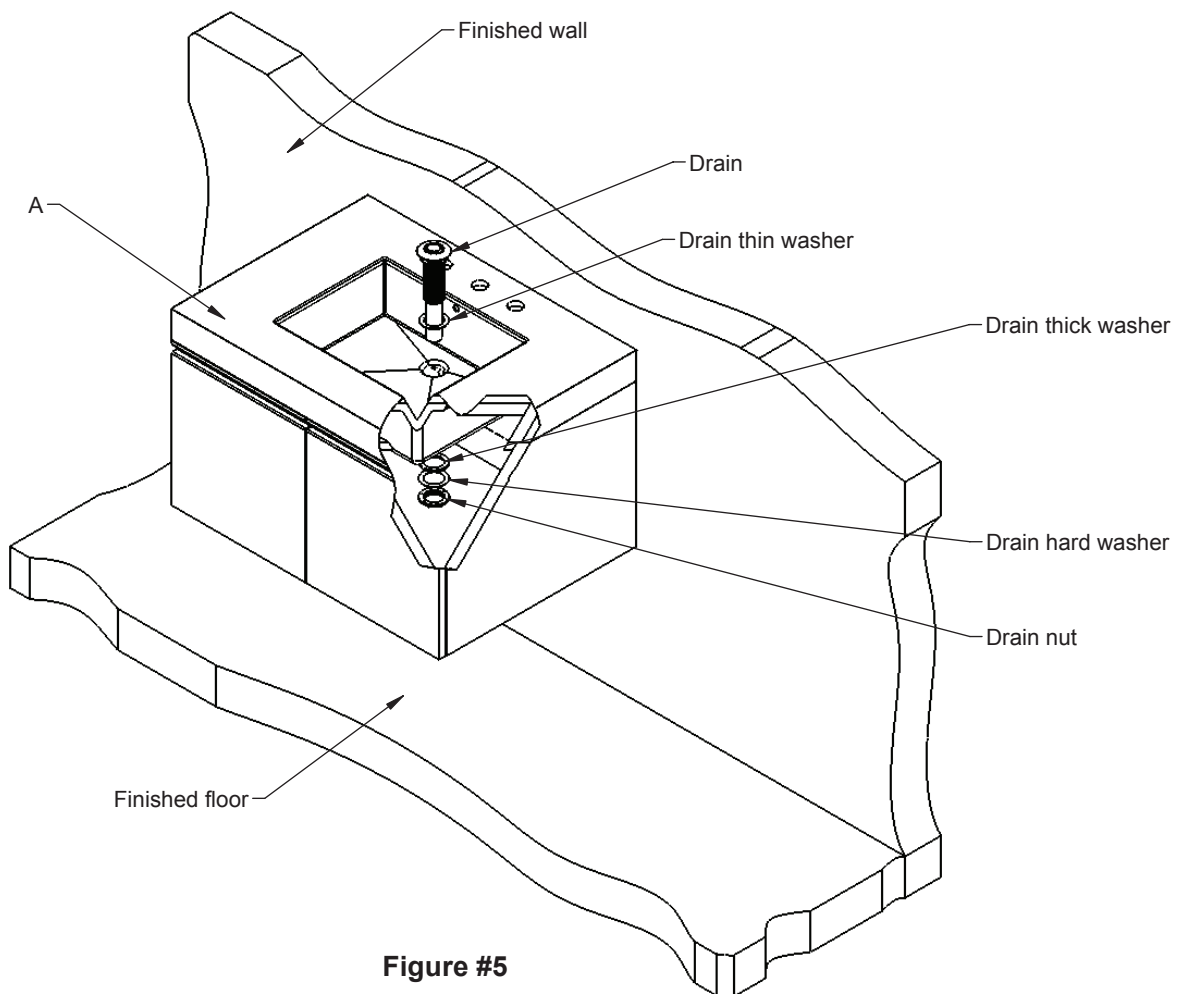
Figure #4



## INSTALLATION INSTRUCTIONS

## • STEP #5

- Install Drain Assembly according to manufacturer installation instructions.
- Refer to **Figure #5**.
- **NOTE: DRAIN SHOWN, DECOLAV® 9297 UMBRELLA DRAIN, IS A RECOMMENDED ACCESSORY AND IS NOT INCLUDED.**





## INSTALLATION INSTRUCTIONS

## • STEP #6

- Install Waste System according to the manufacturer installation instructions.
- Refer to **Figure #6**.
- **NOTE: TRAP SYSTEM SHOWN, DECOLAV® 9100 BOTTLE TRAP, IS A RECOMMENDED ACCESSORY AND NOT INCLUDED.**

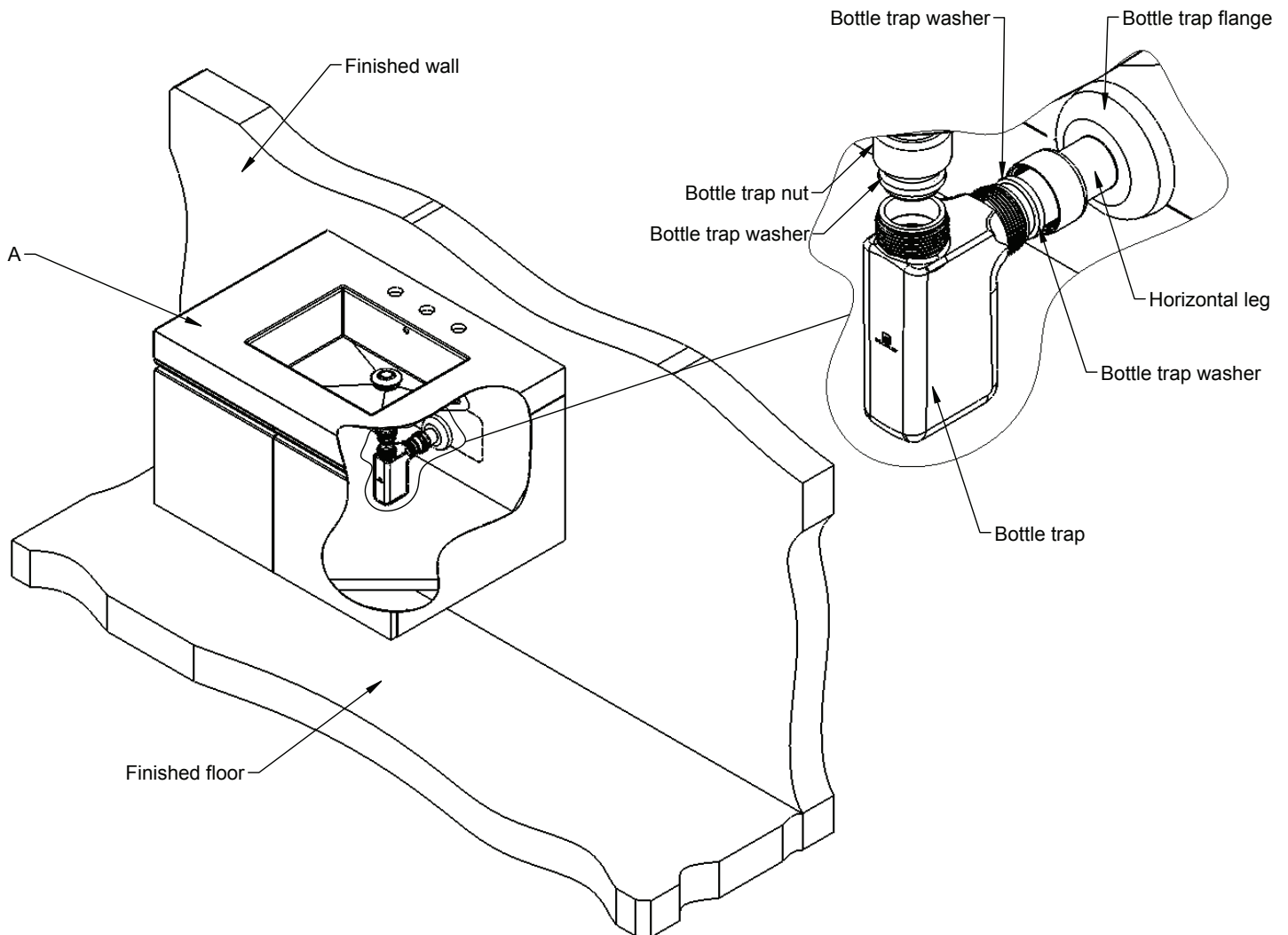


Figure #6



## INSTALLATION INSTRUCTIONS

## • STEP #7

- Using mirror mastic attach **Mirror (H)** to wall above **Vanity (A)**.
- Refer to **Figure #7**.
- **NOTE: MIRROR MASTIC IS NOT INCLUDED.**

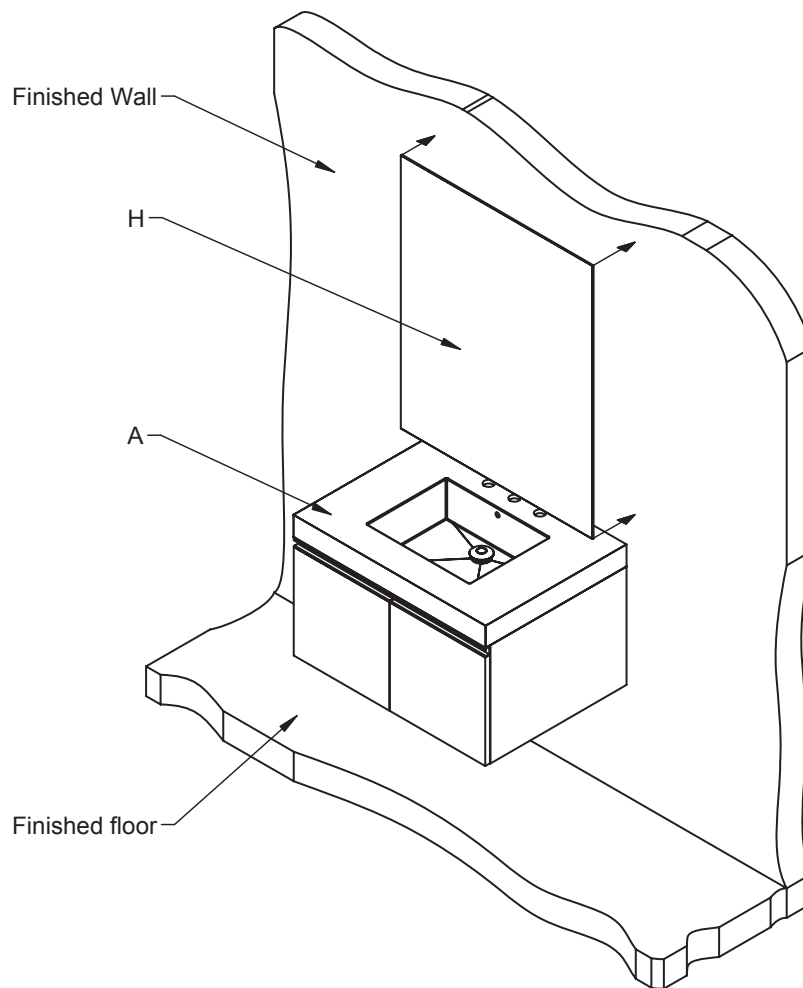
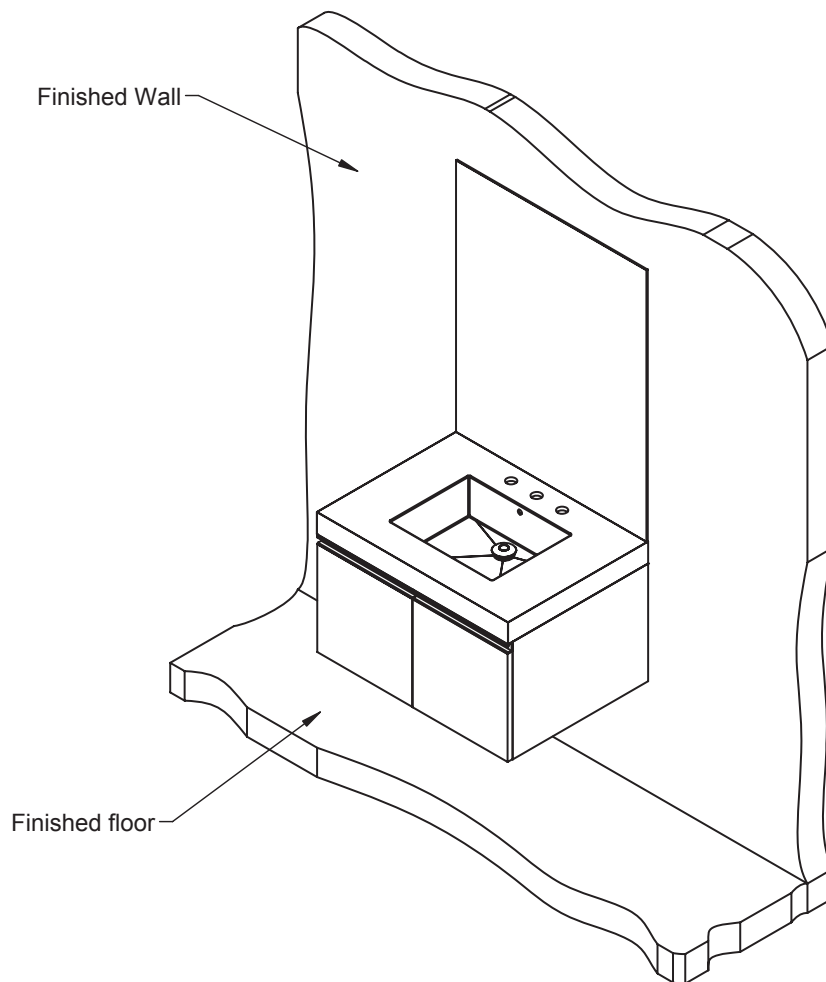


Figure #7

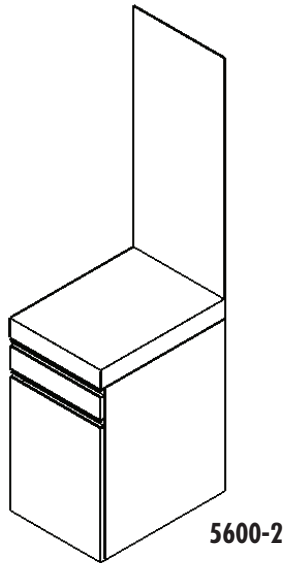
**INSTALLATION INSTRUCTIONS****• STEP #8**

- Install faucet and water supply according to manufacturer installation instructions.
- **NOTE: FAUCET AND WATER SUPPLIES NOT INCLUDED!**
- Check for leakage.
- Refer to **Figure #8** for finished vanity.

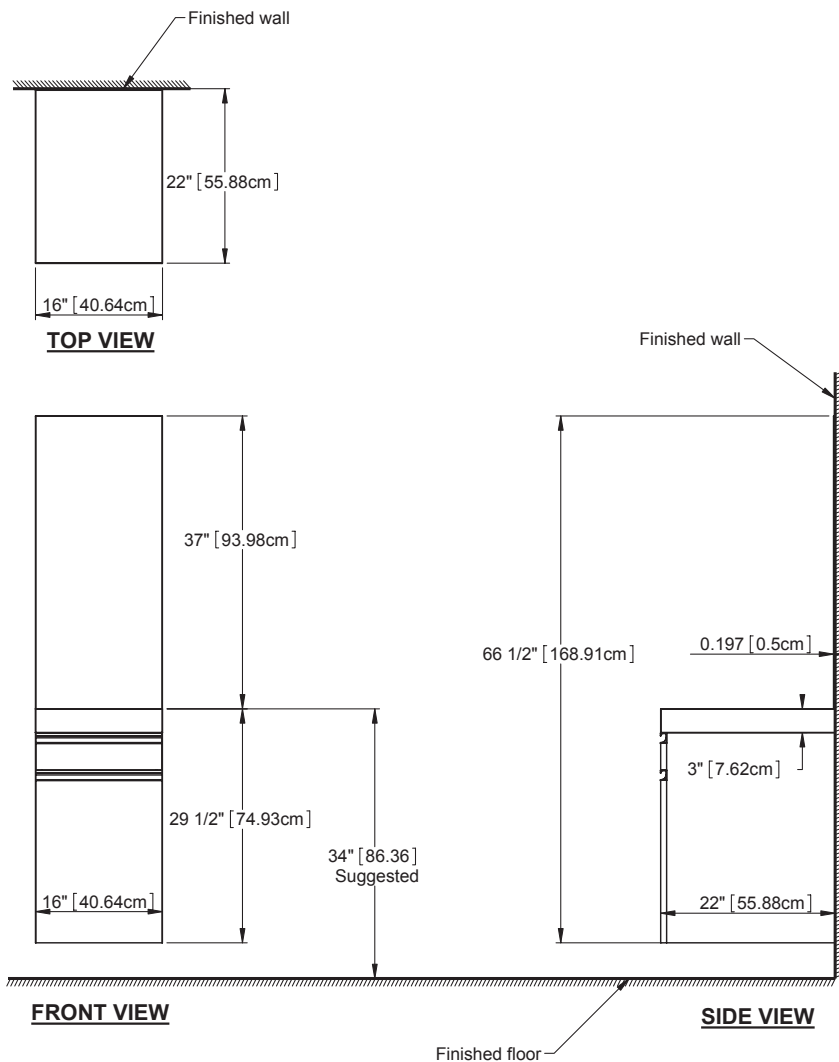
**Figure #8**



PRODUCT DESCRIPTION



ROUGHING-IN DIMENSIONS

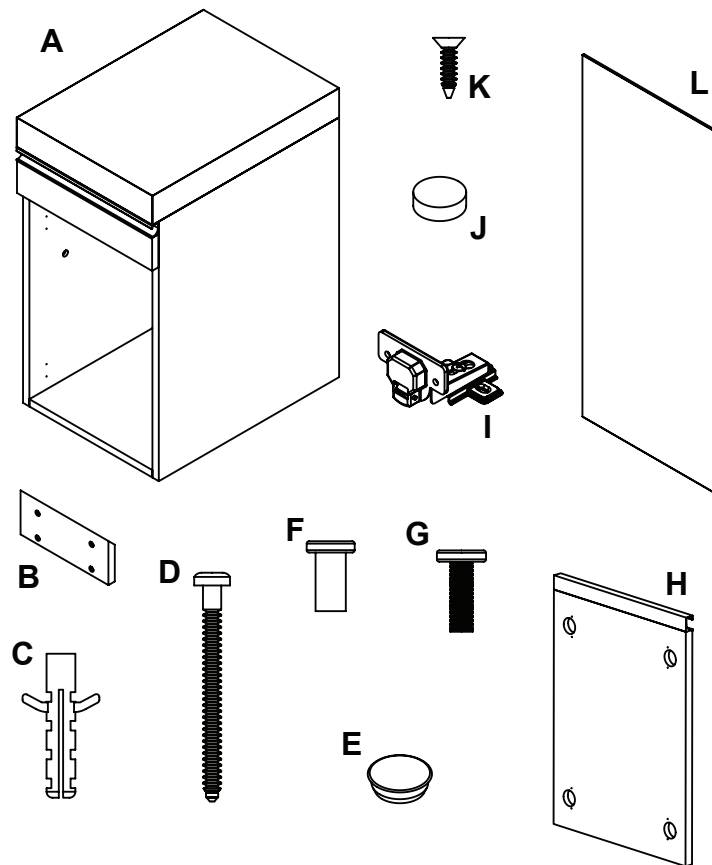






PARTS

Item	Description	Qty
A	Vanity assembly	1
B	Wall wood support	1
C	Anchor	8
D	Wall screw	8
E	Hole plug	6
F	Side mounting female screw	4
G	Side mounting male screw	4
H	Door assembly	1
I	Door hinge	2
J	Hinge hole plug	2
K	Door screw	8
L	Mirror	1





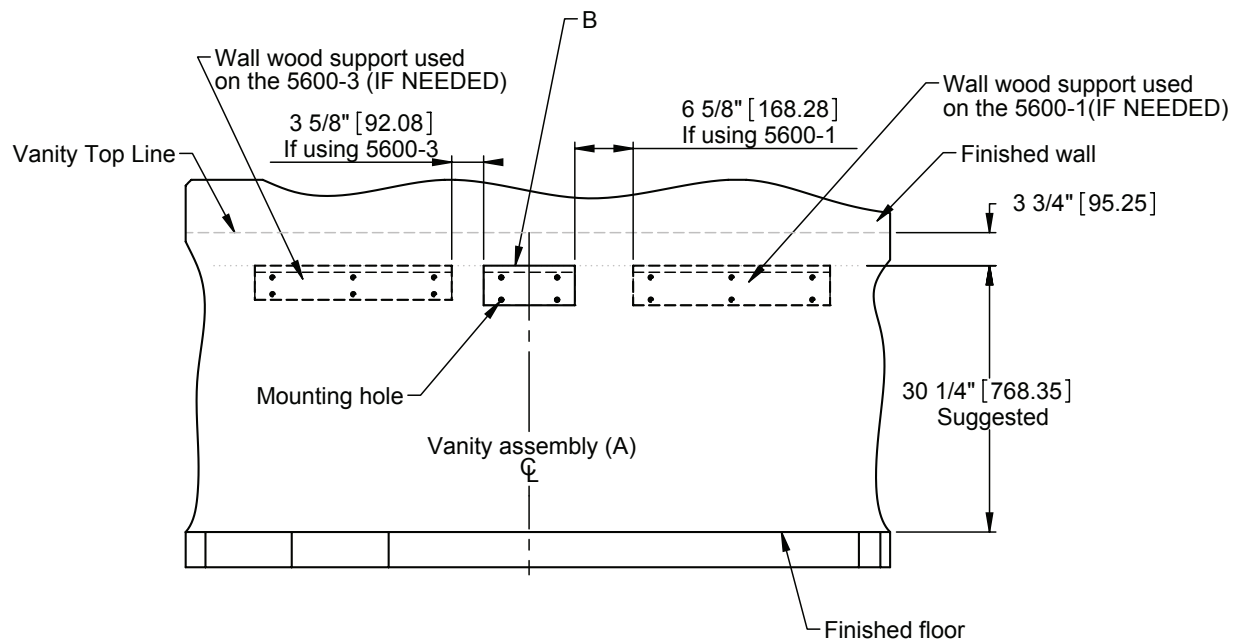
## INSTALLATION INSTRUCTIONS

## • STEP #1

- Take measurement off floor and use a level to get a straight line for the **Wall wood support (B)**.
- Temporarily hold **Wall wood support (B)** up to desired location and mark the holes for **Anchors (C)** Location.
- Refer to **Figure #1** for all mounting measurements

## NOTES:

- IF USING THE 5600-1 AND/OR 5600-3 REFER TO Figure #1 FOR MEASUREMENTS FOR WALL WOOD SUPPORT MOUNTING.
- 5600-1 AND 5600-3 CAN BE USED ON RIGHT OR LEFT SIDE AS NEEDED.





## INSTALLATION INSTRUCTIONS

## • STEP #2

- Drill holes in the wall where marks were put and insert **Anchors (C)**.
- Mount **Wall wood support (B)** to the wall using the **Wall screws (D)**.
- Refer to **Figure #2**.

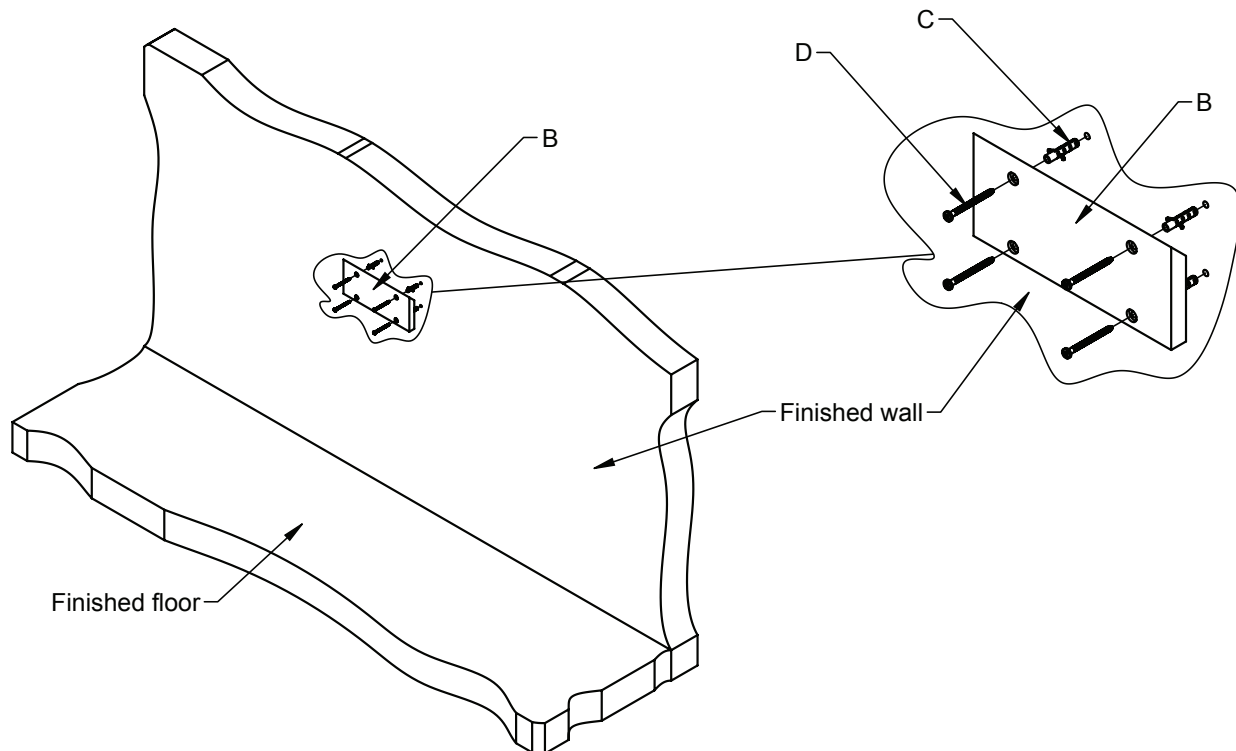


Figure #2



## INSTALLATION INSTRUCTIONS

• **STEP #3 (If using alone skip to step 4)**

- Drill through holes that are already pre-drilled using a 6.5mm drill bit on the side of the **Vanity Assembly (A)** where the 5600-1 or 5600-3 is being attached. If using both 5600-1 and 5600-3 drill holes on both side of **Vanity Assembly (A)**.
- **NOTE: REFER TO OTHER UNIT (5600-1 AND/OR 5600-3) TO DETERMINE WHAT HOLES ARE NEED TO BE DRILLED THROUGH.**
- With assistance attach **Vanity Assembly (A)** and other desired unit together using **Side mounting female screw (F)** and **Side mounting male screw (G)**.
- Place **Hole Plug (E)** in hole to cover screw.
- Refer to **Figure #3**.

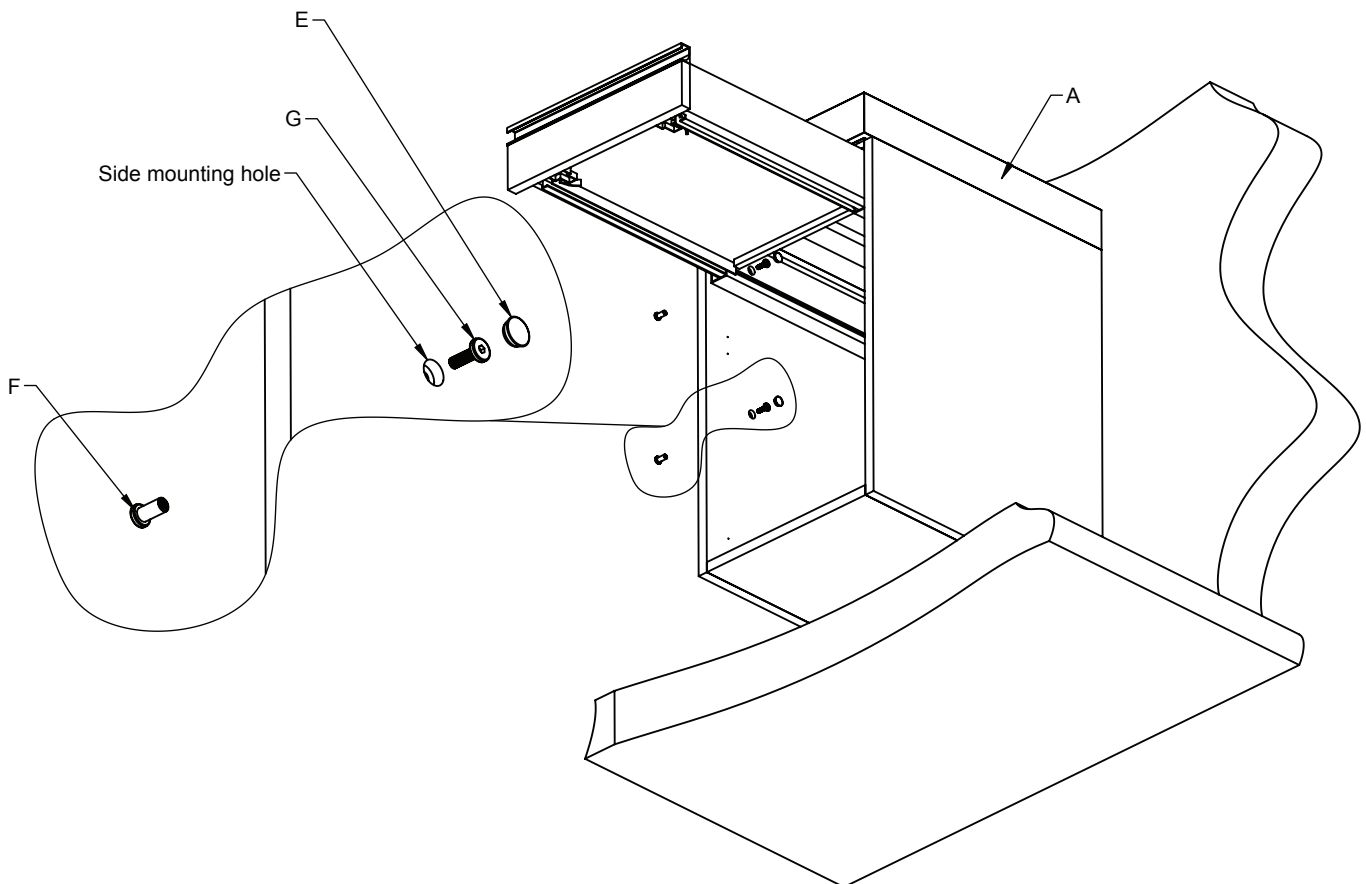


Figure #3



## INSTALLATION INSTRUCTIONS

## • STEP #4

- Temporarily place **Vanity Assembly (A)** and other desired unit previously attached in place on wall.
- **NOTE: Line up Vanity Assembly Back Support with Wall wood support (B) so that the unit hangs above the floor and flush against the wall.**
- Mark holes at back of **Vanity Assembly (A)** and other desired unit previously attached for placement of **Anchors (C)**.
- Pull **Vanity Assembly (A)** and other desired unit previously attached off wall and drill marked holes in wall and insert **Anchors (C)**.
- Place **Vanity Assembly (A)** and other desired unit previously attached back on to wall and line up all holes and attach using **Wall screws (D)**.
- Use **Hole Plug (E)** to cover all viewable holes on **Vanity Assembly (A)**.
- Refer to **Figure #4**.

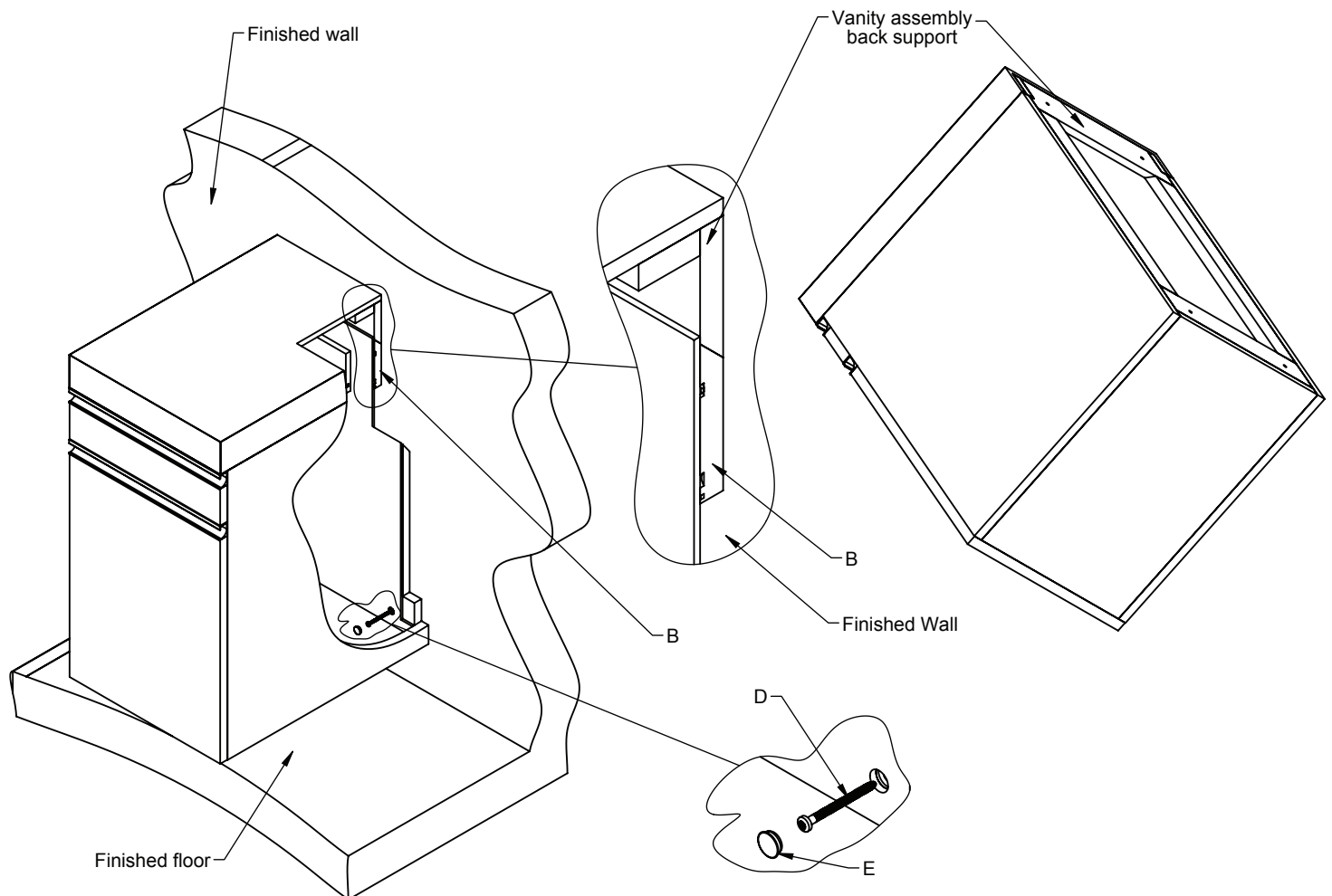


Figure #4



## INSTALLATION INSTRUCTIONS

## • STEP #5

- Determine the desired swing of the **Door assembly (H)**.
- Attach **Hinges (I)** using the **Door Screws (K)** to the desired side of the **Door Assembly (H)**.
- Use the **Hinge Hole Plug (J)** to cover the unused 2 holes on the door using an adhesive to apply
- Refer to **Figure #5**.
- Once the **Hinges (I)** are attached to the **Door Assembly (H)** use the **Door Screws (K)** to attach the door to the desired side of the cabinet
- Refer to **Figure #6**.

## NOTES:

- **BEFORE PLUGGING THE Hinge hole plug (G), CHECK VENEER DIRECTION, SO IT WILL BE IN THE SAME DIRECTION AS THE VENEER IS ON THE BACK PANEL OF THE DOOR.**
- **DO NOT OVER TIGHTEN SCREW CAUSING IT TO STRIP OUT.**
- **ADHESIVE NOT INCLUDED**
- **PRE-DRILLED HOLES ARE PROVIDED ON BOTH SIDES OF CABINET ASSEMBLY (A) AND DOOR ASSEMBLY (H) FOR DOOR SCREW LOCATION.**

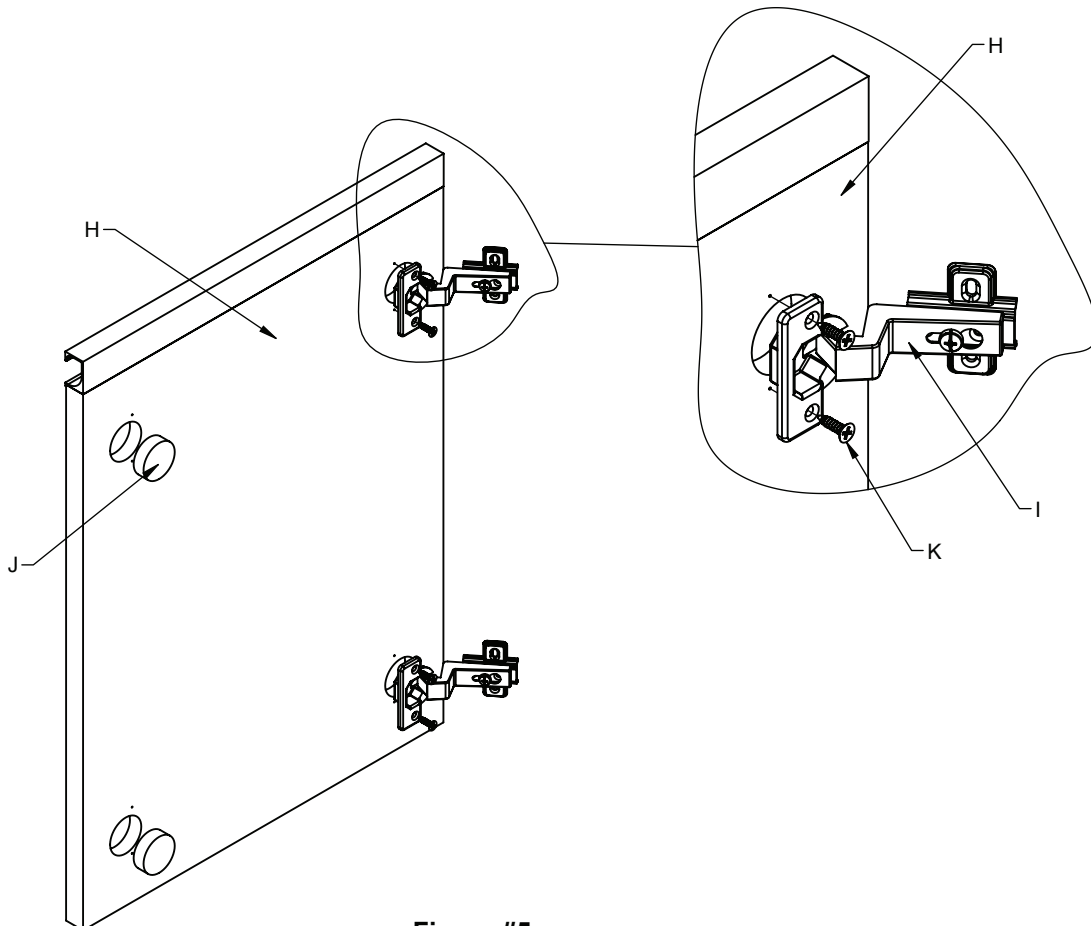


Figure #5



## INSTALLATION INSTRUCTIONS

## • STEP #6

- Using mirror mastic attach **Mirror (L)** to wall above **Vanity Assembly (A)**.
- Refer to **Figure #7**.

## NOTES:

- MIRROR MASTIC IS NOT INCLUDED.
- IF USING 5600-4 MIRROR (L) WON'T BE USED.
- Refer to **Figure #8** for finished unit.

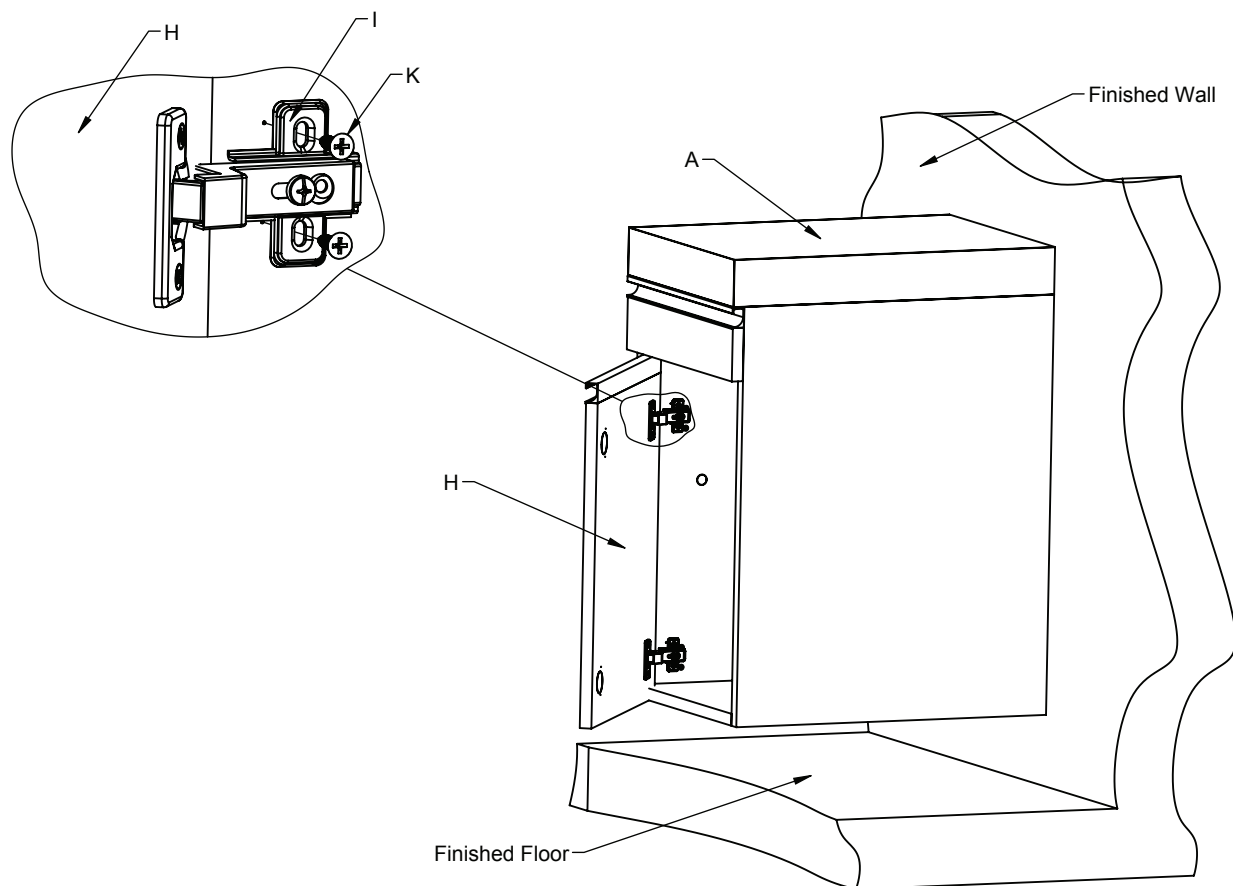


Figure #6



INSTALLATION INSTRUCTIONS

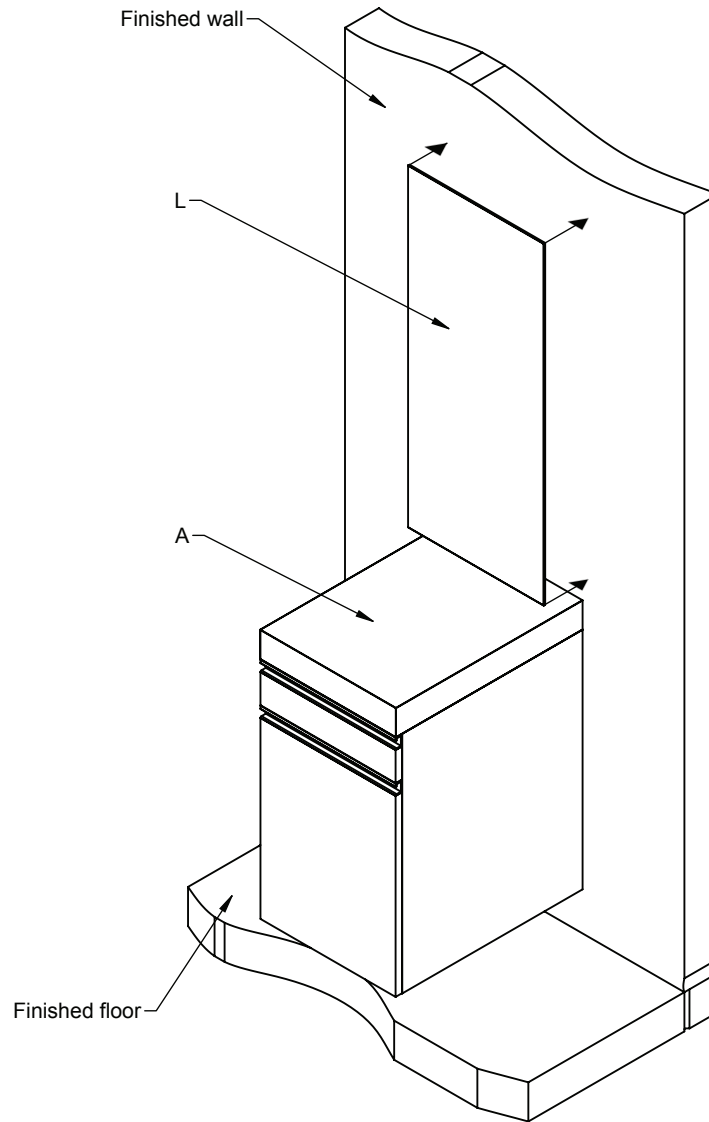
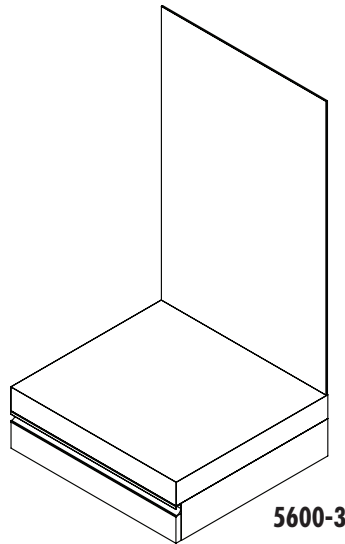


Figure #7

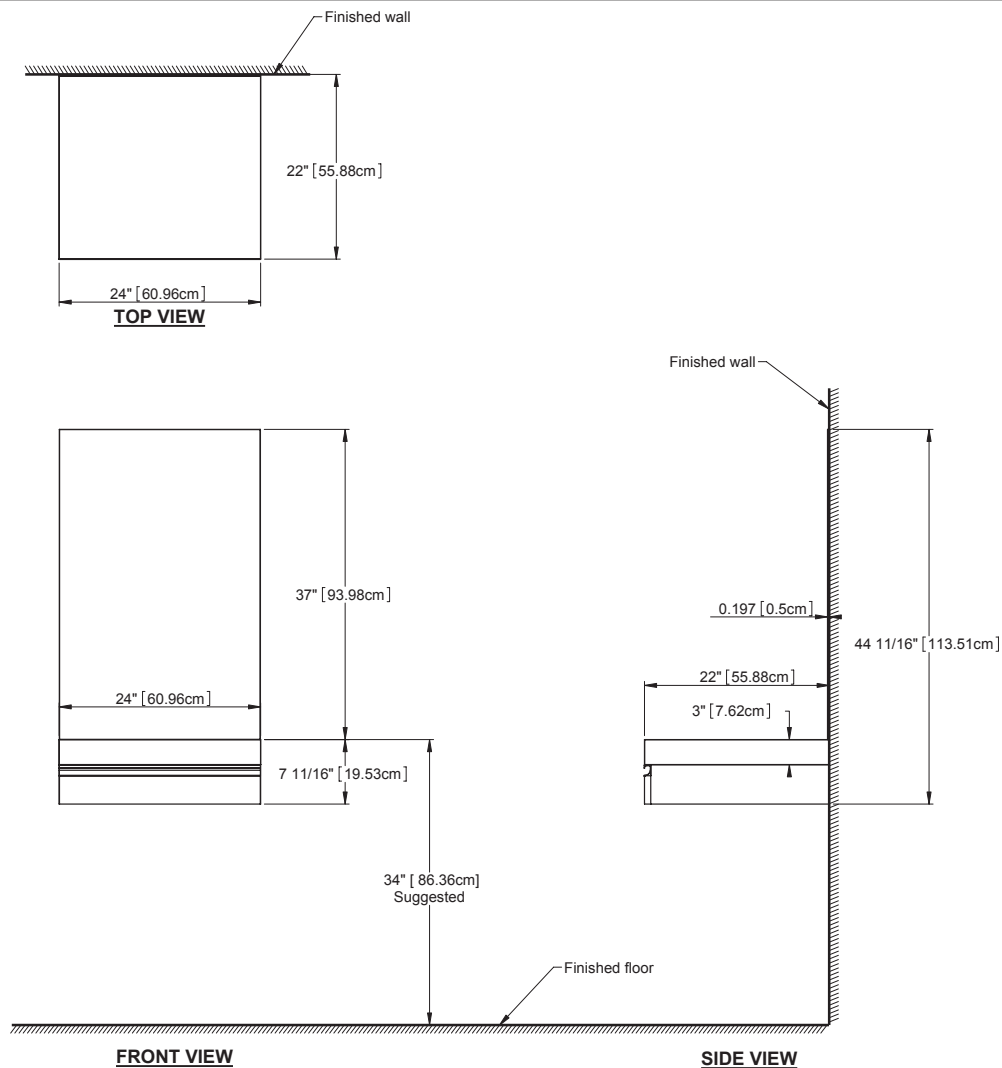




PRODUCT DESCRIPTION



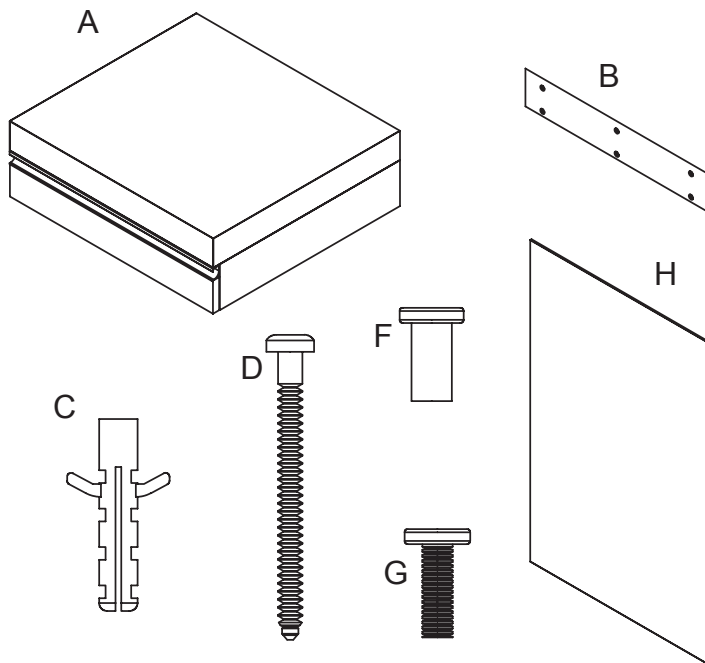
ROUGHING-IN DIMENSIONS





PARTS

Item	Description	Qty
A	Vanity assembly	1
B	Wall wood support	1
C	Anchor	8
D	Wall screw	8
F	Side mounting female screw	4
G	Side mounting male screw	4
H	Mirror	1





## INSTALLATION INSTRUCTIONS

## • STEP #1

- Take measurement off floor and use a level to get a straight line for the **Wall wood support (B)**.
- Temporarily hold **Wall wood support (B)** up to desired location and mark the holes for **Anchors (C)** Location.
- Refer to **Figure #1** for all mounting measurements.

## NOTES:

- IF USING THE 5600-1 AND/OR 5600-2 REFER TO **Figure #1** FOR MEASUREMENTS FOR WALL WOOD SUPPORT MOUNTING.
- 5600-1 AND 5600-2 CAN BE USED ON RIGHT OR LEFT SIDE AS NEEDED.

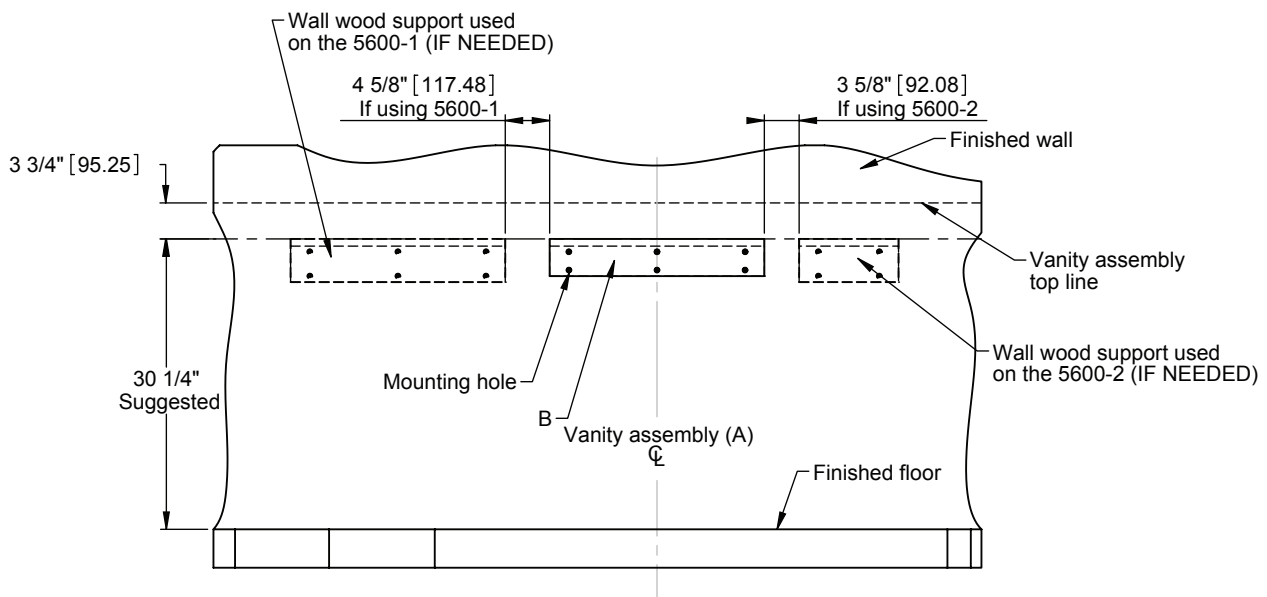


Figure #1



## INSTALLATION INSTRUCTIONS

## • STEP #2

- Drill holes in the wall where marks were put and insert **Anchors (C)**.
- Mount **Wall wood support (B)** to the wall using the **Wall screws (D)**.
- Refer to **Figure #2**.

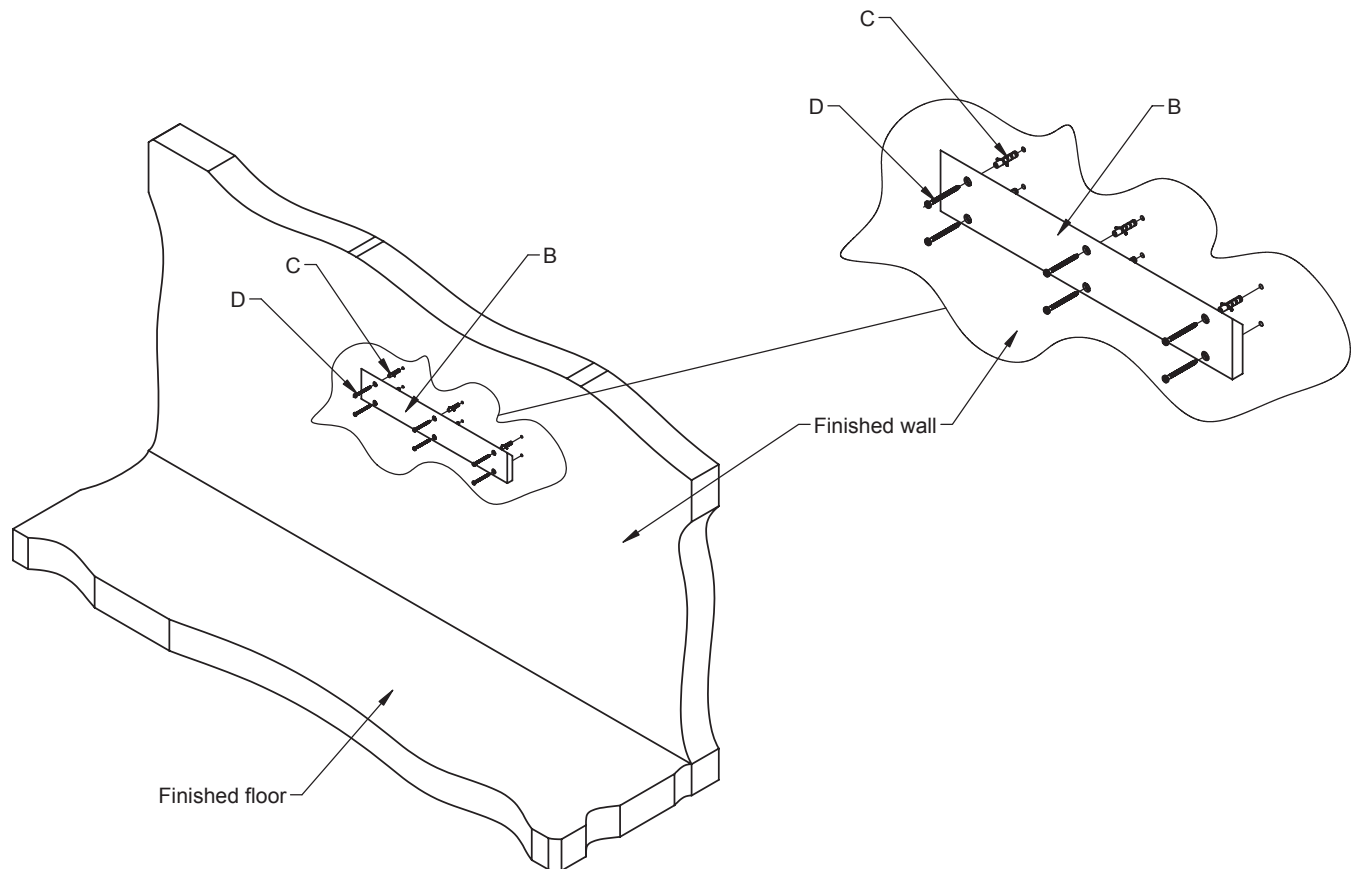


Figure #2



## INSTALLATION INSTRUCTIONS

• **STEP #3 (If using alone skip to step 4)**

- Drill through holes that are already pre-drilled using a 6.5mm drill bit on the side of the **Vanity Assembly (A)** where the 5600-1 or 5600-2 is being attached. If using both 5600-1 and 5600-2 drill holes on both side of **Vanity Assembly (A)**.
- **NOTE: REFER TO OTHER UNIT (5600-1 AND/OR 5600-2) TO DETERMINE WHAT HOLES ARE NEED TO BE DRILLED THROUGH.**
- With assistance attach **Vanity Assembly (A)** and other desired unit together using **Side mounting female screw (F)** and **Side mounting male screw (G)**.
- Refer to **Figure #3**.

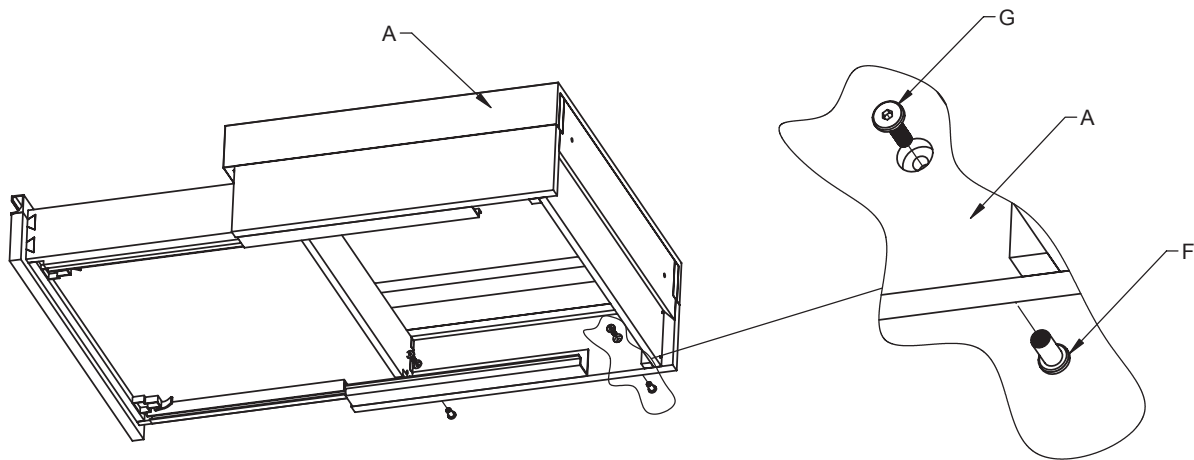


Figure #3



## INSTALLATION INSTRUCTIONS

## • STEP #4

- Temporarily place **Vanity Assembly (A)** and other desired unit previously attached in place on wall.
- **NOTE: Line up Vanity Assembly Back Support with Wall wood support (B) so that the unit hangs above the floor and flush against the wall.**
- Mark holes at back of **Vanity Assembly (A)** and other desired unit previously attached for placement of **Anchors (C)**.
- Pull **Vanity Assembly (A)** and other desired unit previously attached off wall and drill marked holes in wall and insert **Anchors (C)**.
- Place **Vanity Assembly (A)** and other desired unit previously attached back on to wall and line up all holes and attach using **Wall screws (D)**.
- Refer to **Figure #4**.

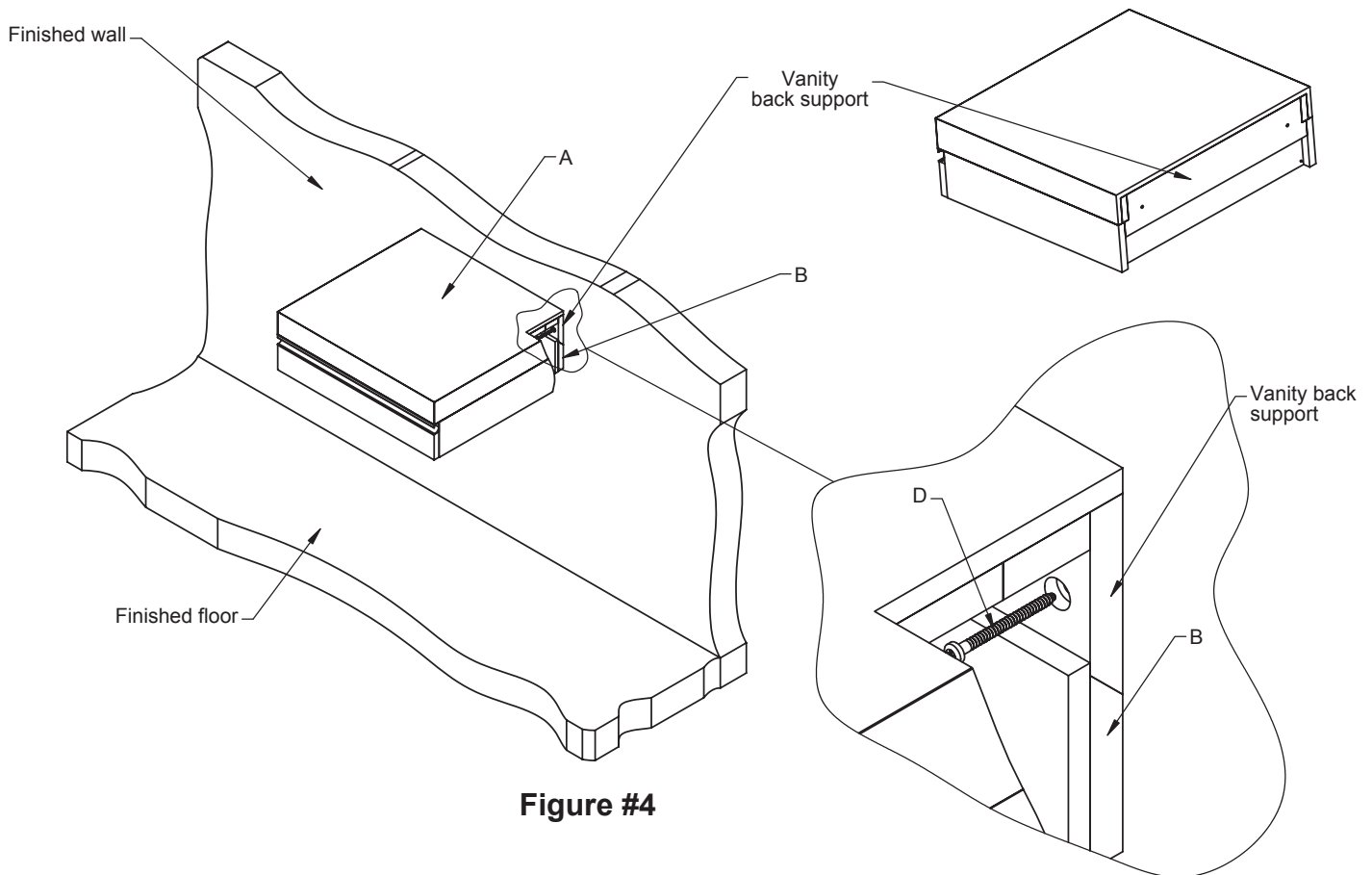


Figure #4



## INSTALLATION INSTRUCTIONS

## • STEP #5

- Using mirror mastic, attach **Mirror (H)** to wall above **Vanity Assembly (A)**.
- Refer to **Figure #5**.
- **NOTE: MIRROR MASTIC IS NOT INCLUDED.**
- Refer to **Figure #6** for finished unit.

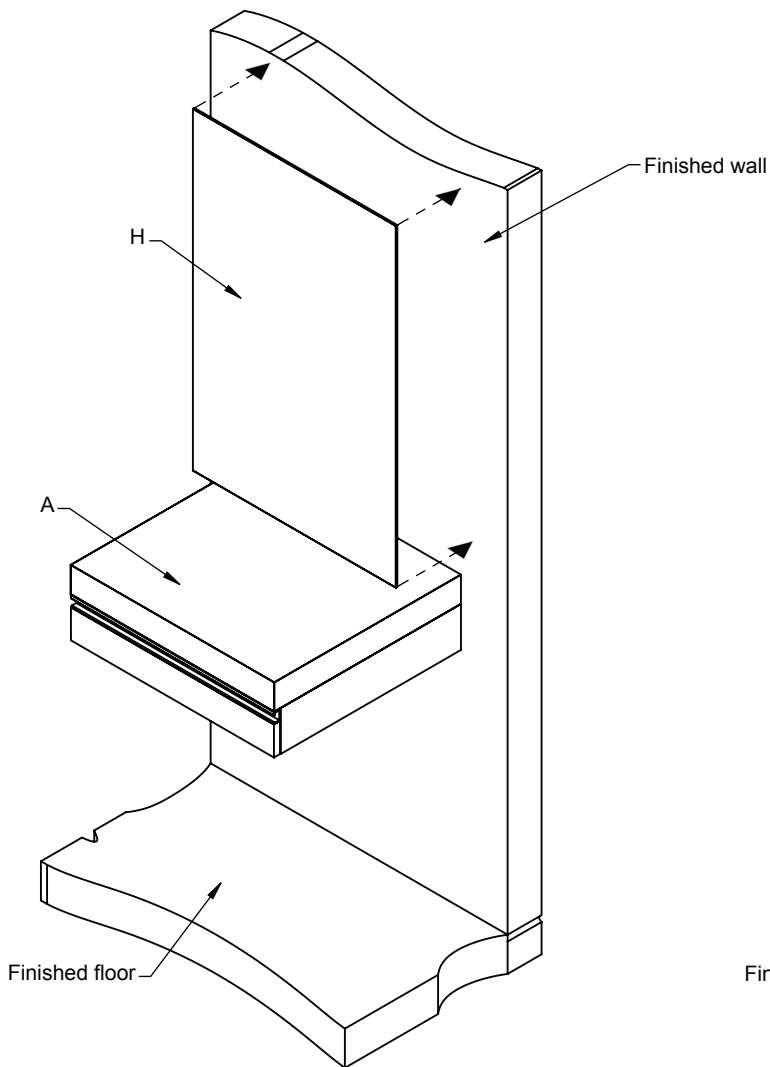


Figure #5

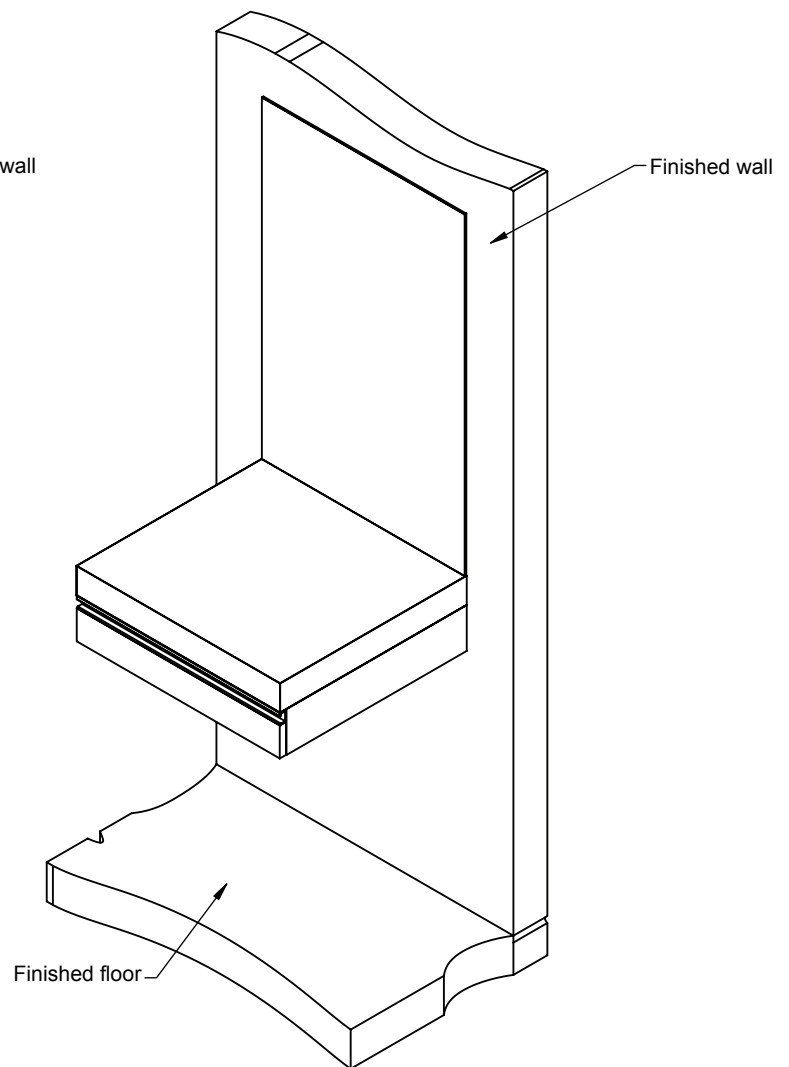
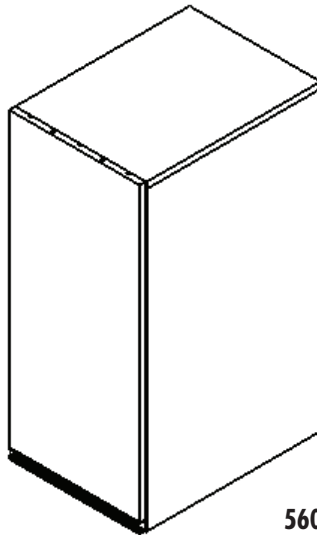


Figure #6

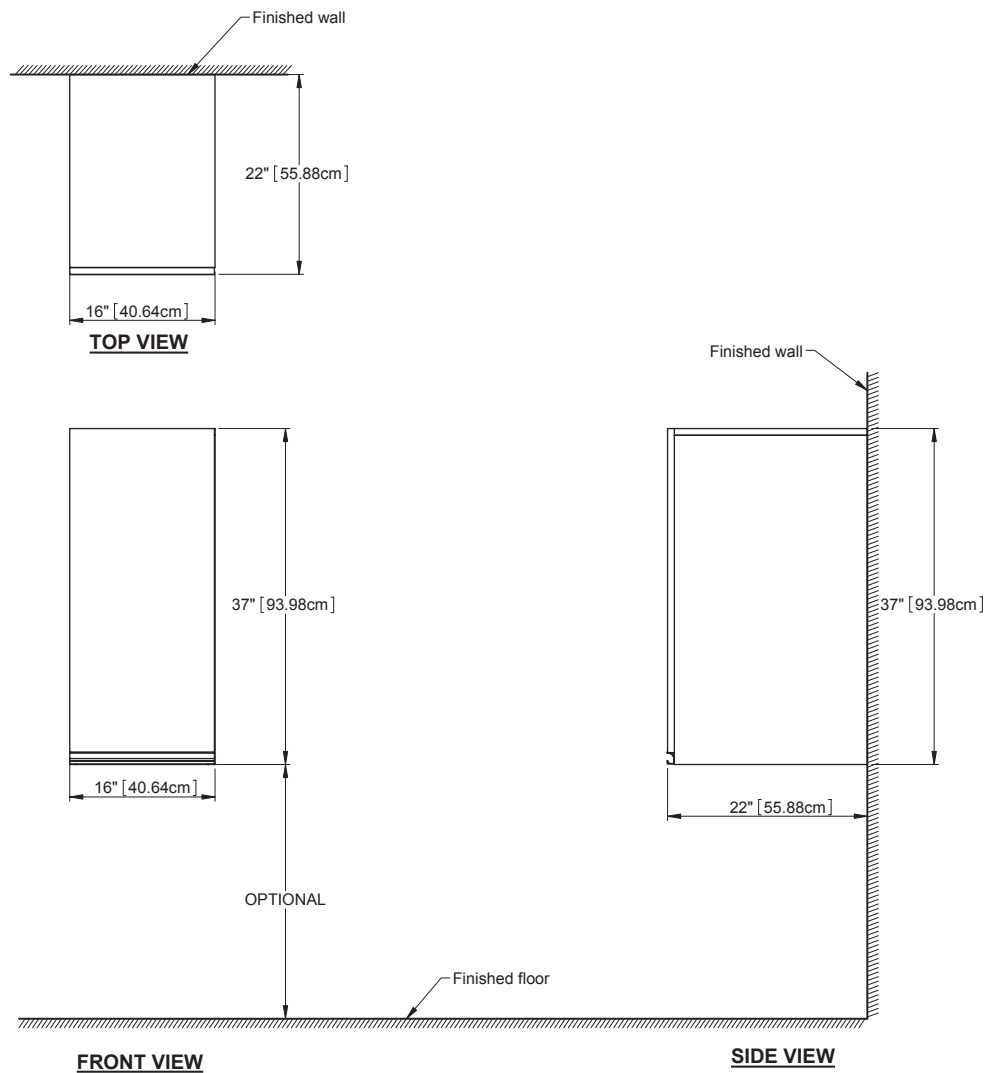


PRODUCT DESCRIPTION



5600-4

ROUGHING-IN DIMENSIONS

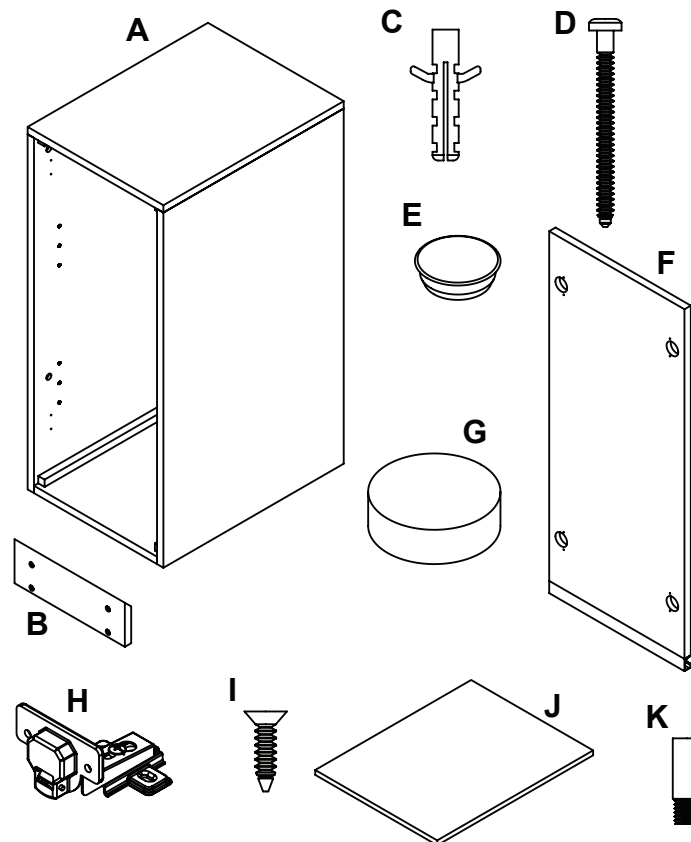






PARTS

Item	Description	Qty
A	Cabinet assembly	1
B	Wall wood support	1
C	Anchor	8
D	Wall screw	8
E	Hole plug	12
F	Door assembly	1
G	Hinge hole plug	2
H	Hinge	2
I	Door screw	8
J	Wood shelf	2
K	Shelf support	8





## INSTALLATION INSTRUCTIONS

## • STEP #1

- Take measurement off floor or optional vanity top and use a level to get a straight line for the **Wall wood support (B)**.
- Temporarily hold **Wall wood support (B)** up to desired location and mark the holes for **Anchors (C)** Location.
- Refer to **Figure #1** for all mounting measurements.

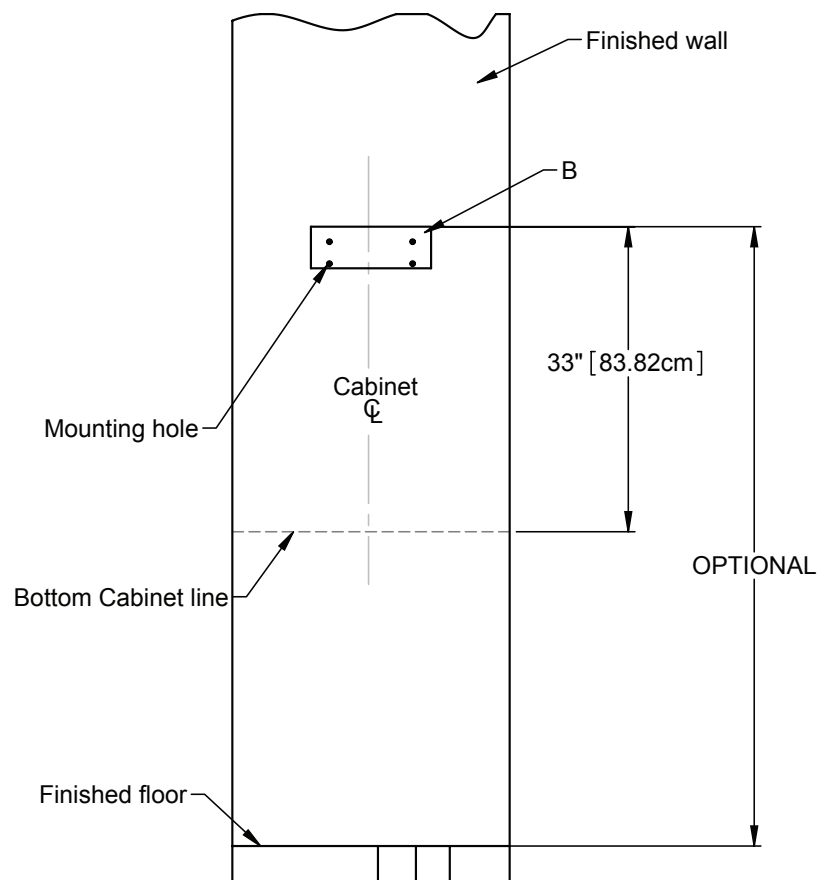


Figure #1



## INSTALLATION INSTRUCTIONS

## • STEP #2

- Drill holes in the wall where marks were put and insert **Anchors (C)**.
- Mount **Wall wood support (B)** to the wall using the **Wall screws (D)**.
- Refer to **Figure #2**.

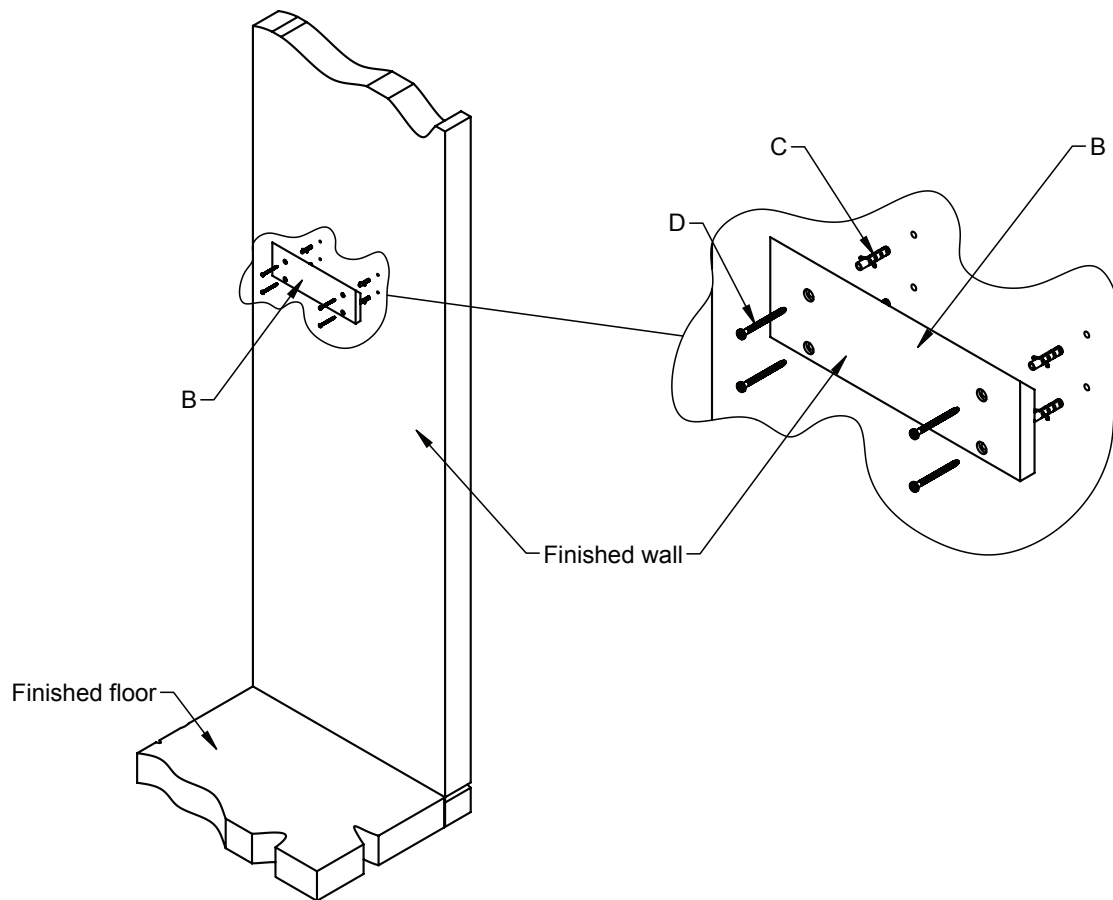


Figure #2



## INSTALLATION INSTRUCTIONS

## • STEP #3

- Temporarily place **Cabinet Assembly (A)** in place on wall.
- **NOTE: Line up Cabinet Assembly Back Support with Wall wood support (B)** so that the unit hangs above the floor and flush against the wall.
- Mark holes at back of **Cabinet Assembly (A)** for placement of **Anchors (C)**.
- Pull **Cabinet Assembly (A)** off wall and drill marked holes in wall and insert **Anchors (C)**.
- Place **Cabinet Assembly (A)** back on to wall and line up all holes and attach using **Wall screws (D)**.
- Refer to **Figure #3**.
- **NOTE: IF OPTIONAL VANITY (5600-2) IS BEING USED BELOW THE VANITY (A) APPLY SILICONE (NOT INCLUDED) TO THE BOTTOM OF THE Cabinet Assembly (A) BEFORE MOUNTING.**

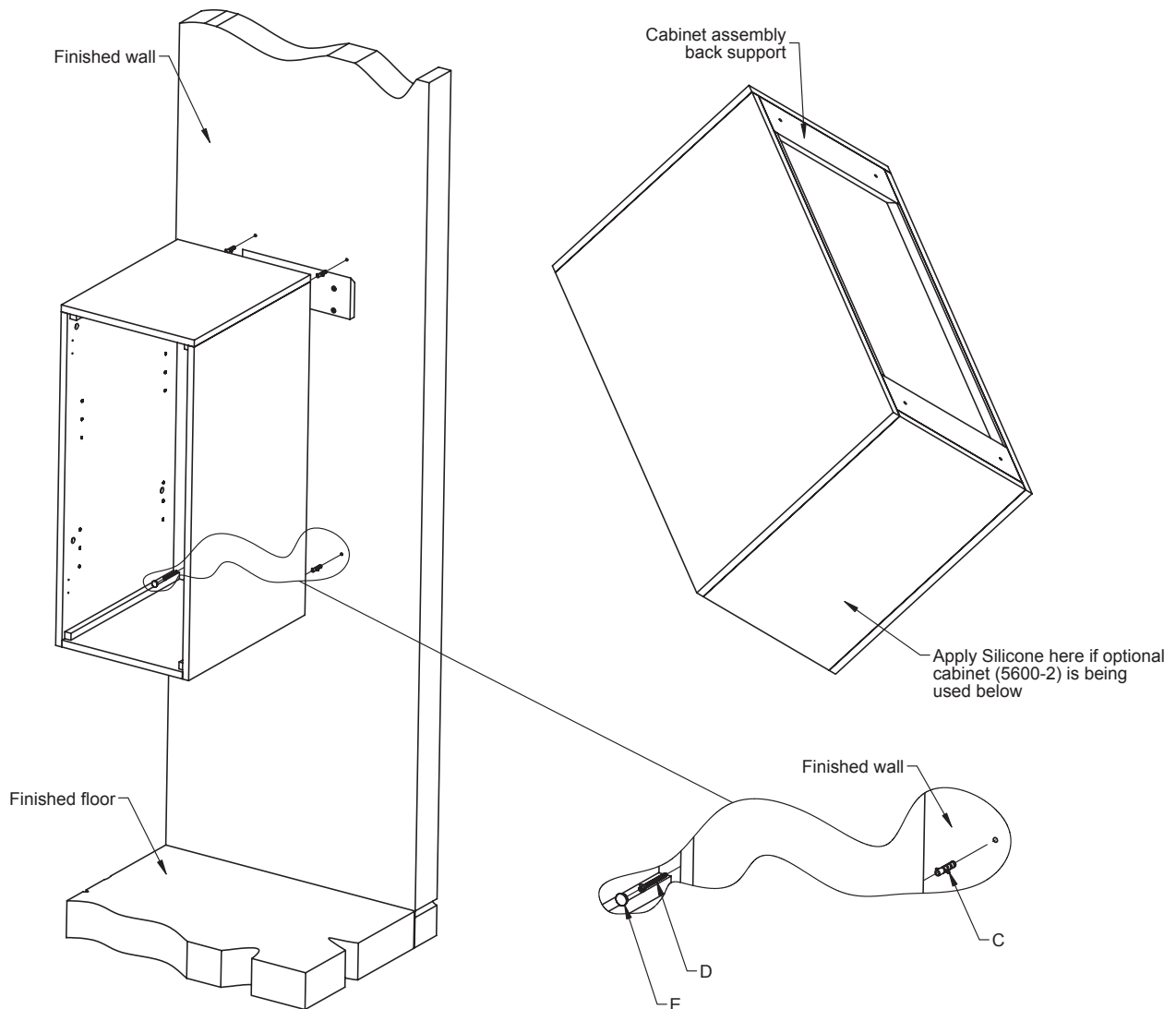


Figure #3



## INSTALLATION INSTRUCTIONS

## • STEP #4

- Determine the desired swing of the **Door assembly (F)**.
- Determine the desired swing of the **Door assembly (F)**.
- Attach **Hinges (H)** using the **Door Screws (I)** to the desired side of the **Door Assembly (F)**.
- Use the **Hinge Hole Plug (G)** to cover the unused 2 holes on the door using an adhesive to apply
- Refer to **Figure #4**.
- Once the **Hinges (H)** are attached to the **Door Assembly (F)** use the **Door Screws (I)** to attach the door to the desired side of the cabinet .
- Refer to **Figure #5**.

## NOTES:

- **BEFORE PLUGGING THE Hinge hole plug (G), CHECK VENEER DIRECTION, SO IT WILL BE IN THE SAME DIRECTION AS THE VENEER IS ON THE BACK PANEL OF THE DOOR.**
- **DO NOT OVER TIGHTEN SCREW CAUSING IT TO STRIP OUT.**
- **ADHESIVE NOT INCLUDED**
- **PRE-DRILLED HOLES ARE PROVIDED ON BOTH SIDES OF CABINET ASSEMBLY (A) AND DOOR ASSEMBLY (H) FOR DOOR SCREW LOCATION.**

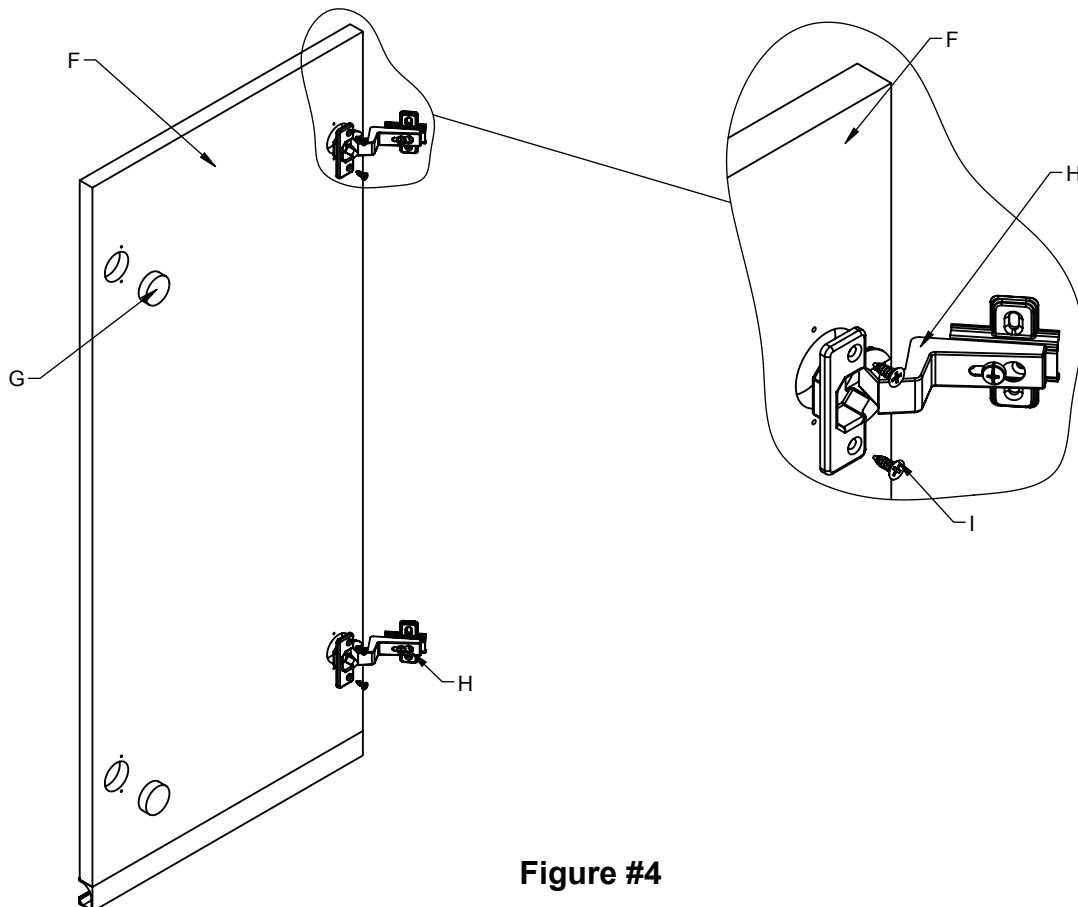


Figure #4



INSTALLATION INSTRUCTIONS

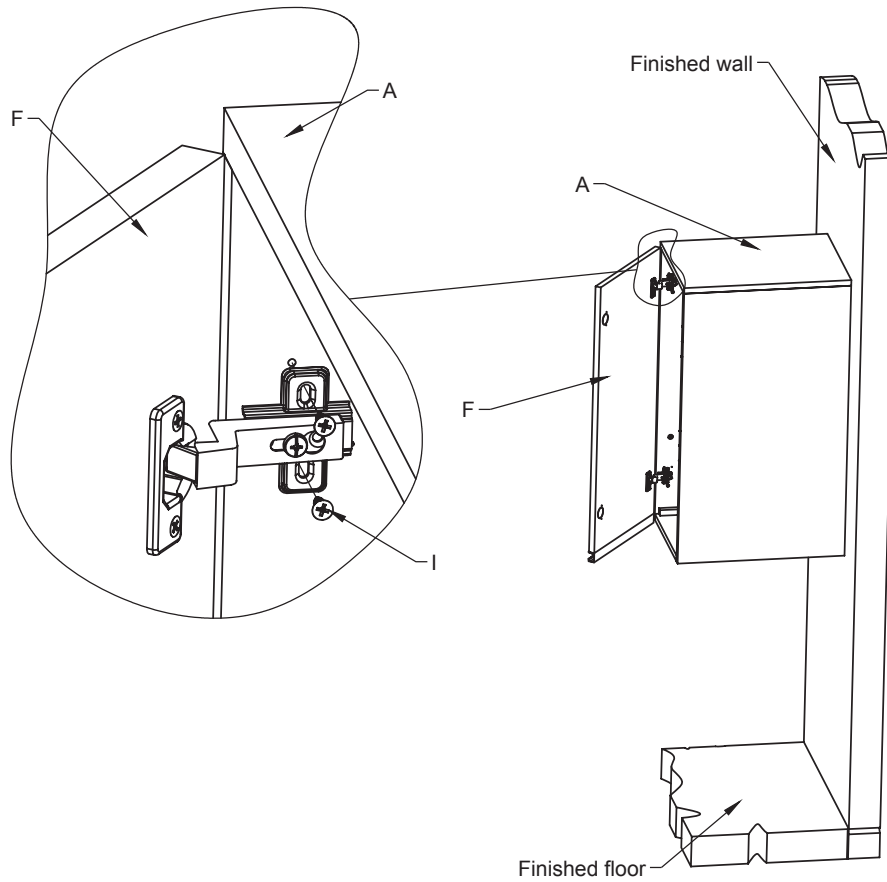


Figure #5



## INSTALLATION INSTRUCTIONS

## • STEP #5

- **NOTE: IF OPTIONAL MEDICINE CABINET (5600-5) IS BEING USED ON SIDE OF THE CABINET ASSEMBLY (A), THROUGH DRILL HOLES WHERE HOLES ARE ALREADY PRE-DRILLED USING A 6.5MM DRILL BIT ON THE SIDE OF CABINET ASSEMBLY (A) WHERE THE 5600-5 IS BEING ATTACHED.**
- Refer to 5600-5 for details.
- Screw the **Shelf supports (K)** in the desired location for **Wood shelf (J)** location.
- Insert **Wood shelf (J)** so that it sits on top of the **Shelf supports (K)**.
- Insert **Hole plug (E)** to cover up all viewable holes.
- Refer to **Figure #6**.
- Refer to **Figure #7** for finished unit.

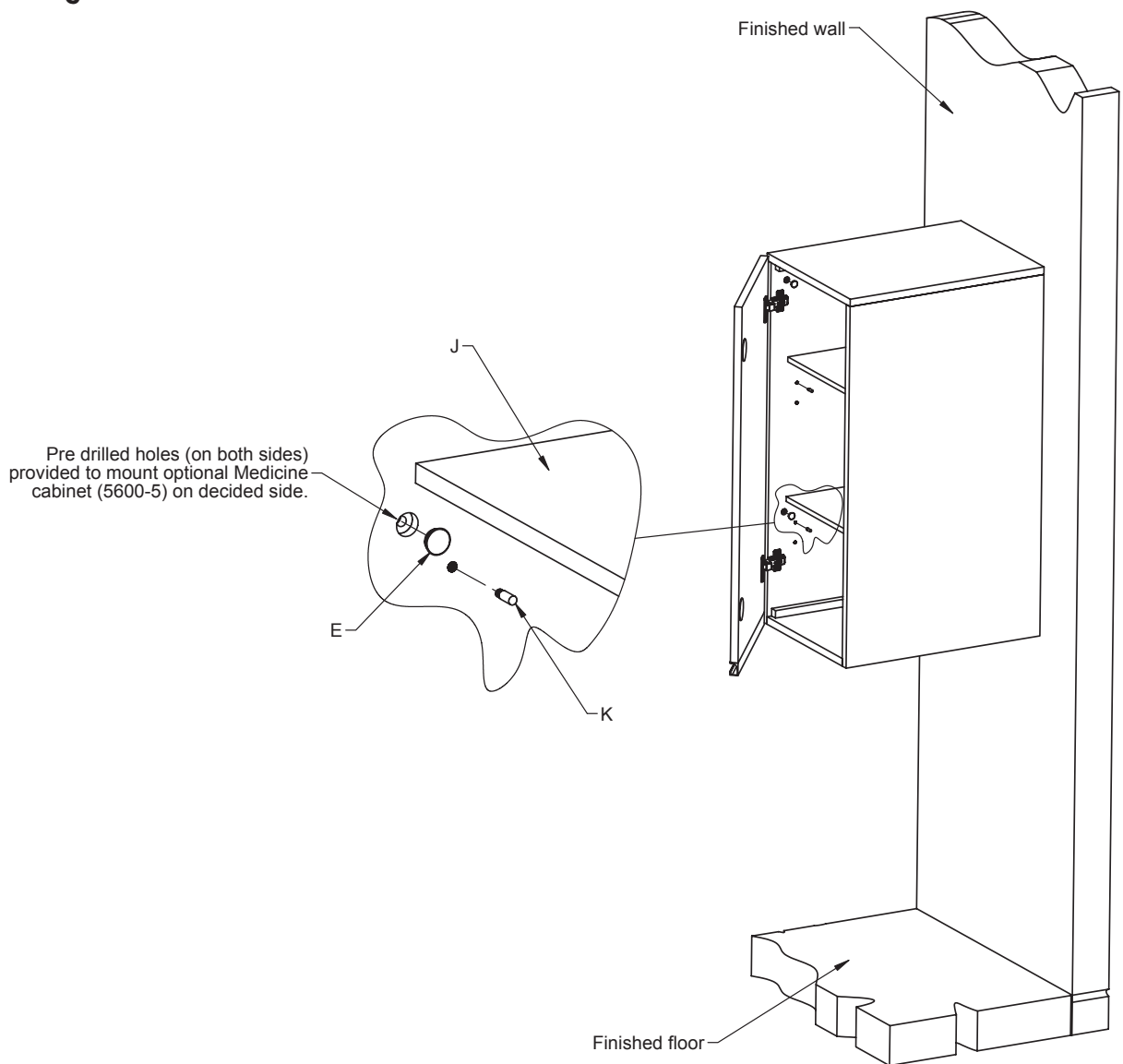


Figure #6



INSTALLATION INSTRUCTIONS

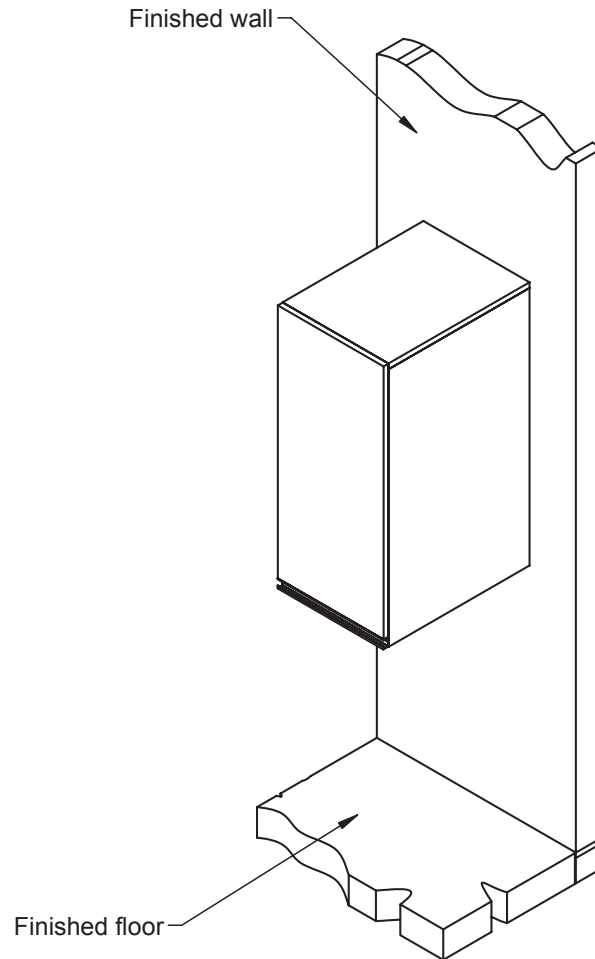
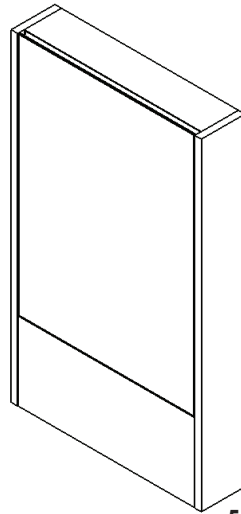


Figure #7



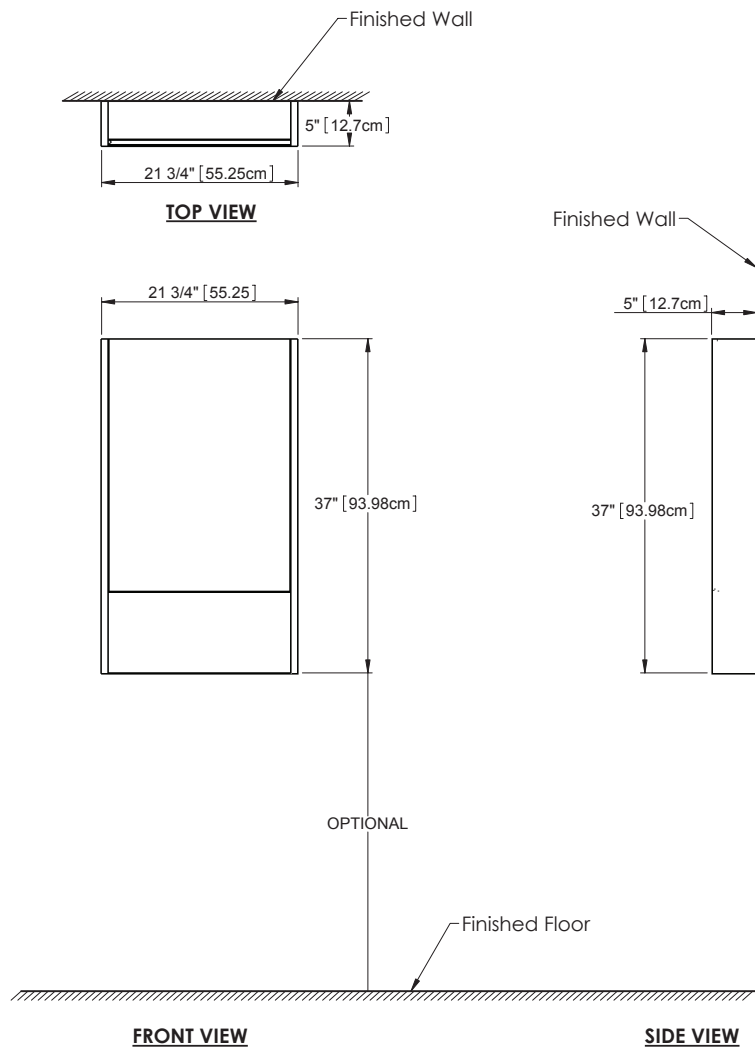


PRODUCT DESCRIPTION



5600-5

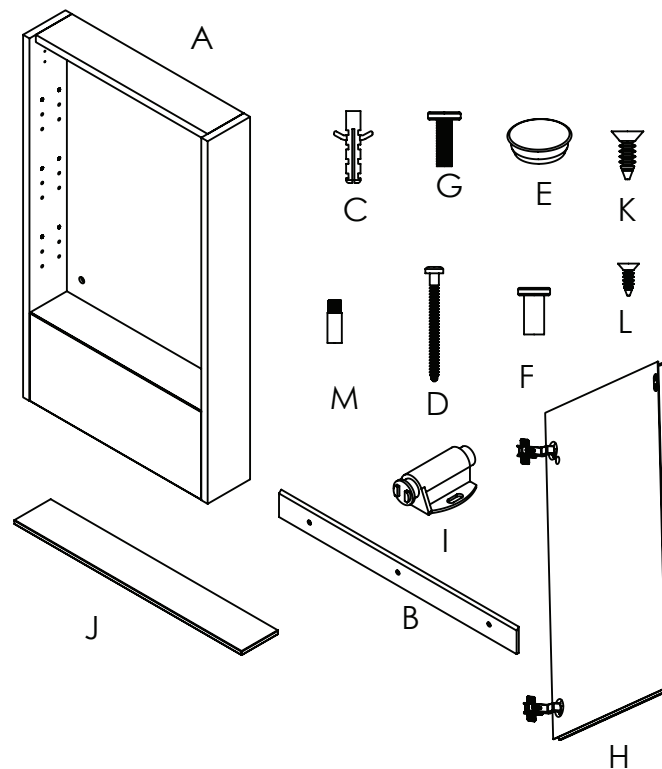
ROUGHING-IN DIMENSIONS





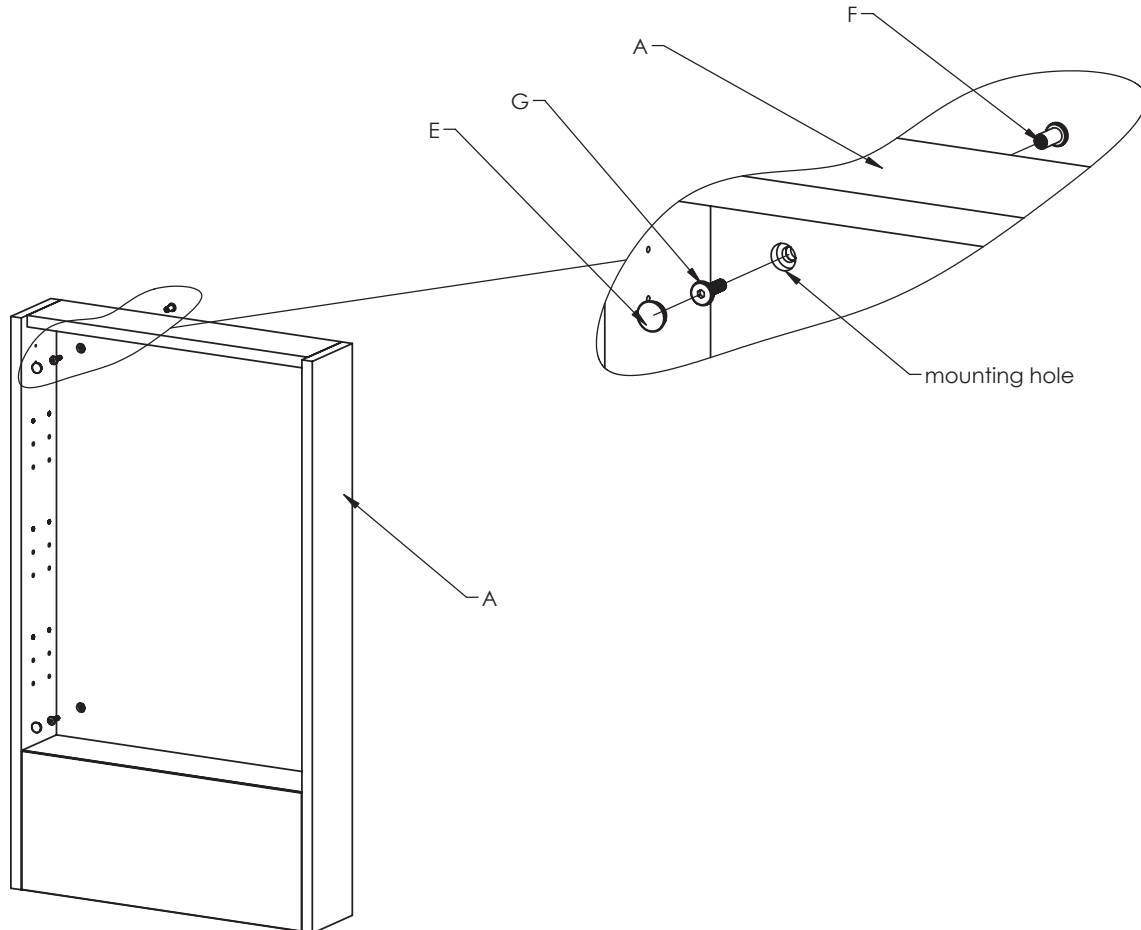
PARTS

Item	Description	Qty
A	Cabinet assembly	1
B	Wall wood support	1
C	Anchor	4
D	Wall screw	4
E	Hole plug	4
F	Side mounting female screw	4
G	Side mounting male screw	4
H	Door assembly	1
I	Door catch	1
J	Shelf	3
K	Door screw	4
L	Door catch screws	2
M	Shelf support	12



**INSTALLATION INSTRUCTIONS****• STEP #1 (If using alone skip to step 2)**

- For mounting **Cabinet Assembly (A)** to the optional 5600-4 use the **Side Mounting Female Screw (F)** and **Side Mounting Male Screw (G)** to assemble the two units together.
- Insert **Hole plug (E)** to cover up the screw heads.
- Refer to **Figure #1**.
- For more mounting information refer to the 5600-4 Installation Instructions.

**Figure #1**



## INSTALLATION INSTRUCTIONS

- **STEP #2 (If attaching Cabinet Assembly to optional 5600-4 unit skip to step 5)**
  - Take measurement off floor and use a level to get a straight line for the **Wall wood support (B)**.
  - Temporarily hold Wall wood support (B) up to desired location and mark the holes for **Anchors (C)** Location.
  - Refer to **Figure #2** for all mounting measurements.

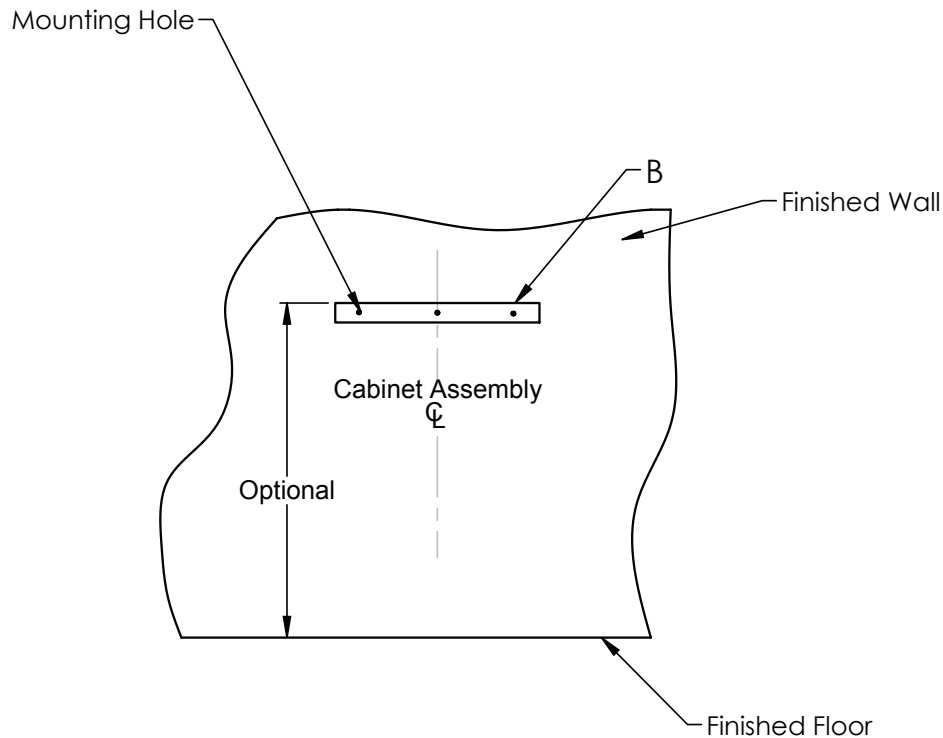


Figure #2



## INSTALLATION INSTRUCTIONS

## • STEP #3

- Drill holes in the wall where marks were put and insert **Anchors (C)**.
- Mount **Wall wood support (B)** to the wall using the **Wall screws (D)**.
- Refer to **Figure #3**.

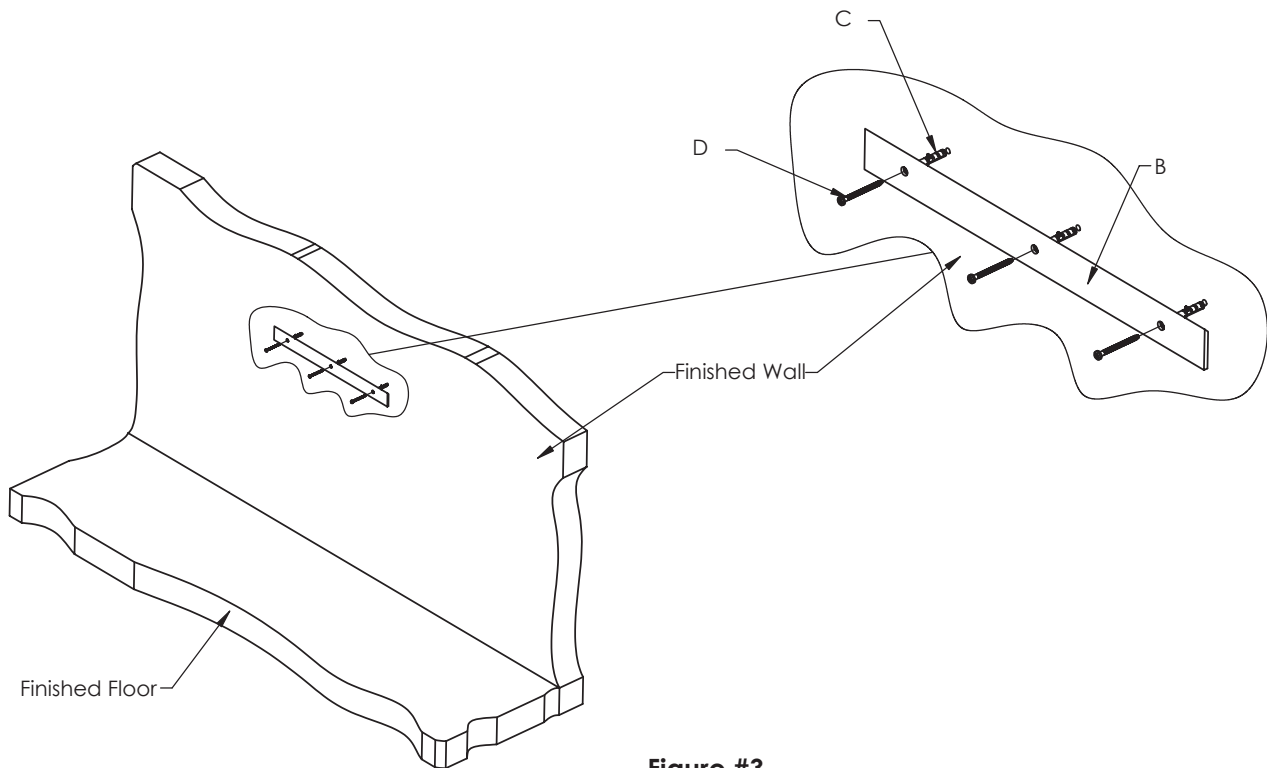


Figure #3



## INSTALLATION INSTRUCTIONS

## • STEP #4

- Temporarily place **Cabinet Assembly (A)** in place on wall.
- **NOTE:** Line up **Cabinet Assembly Back Support** with **Wall wood support (B)** so that the unit hangs above the floor and flush against the wall.
- Mark holes at back of **Cabinet Assembly (A)** for placement of **Anchors (C)**.
- Pull **Cabinet Assembly (A)** off wall and drill marked holes in wall and insert **Anchors (C)**.
- Place **Cabinet Assembly (A)** back on to wall and line up all holes and attach using **Wall screws (D)**.
- Refer to **Figure #4**.

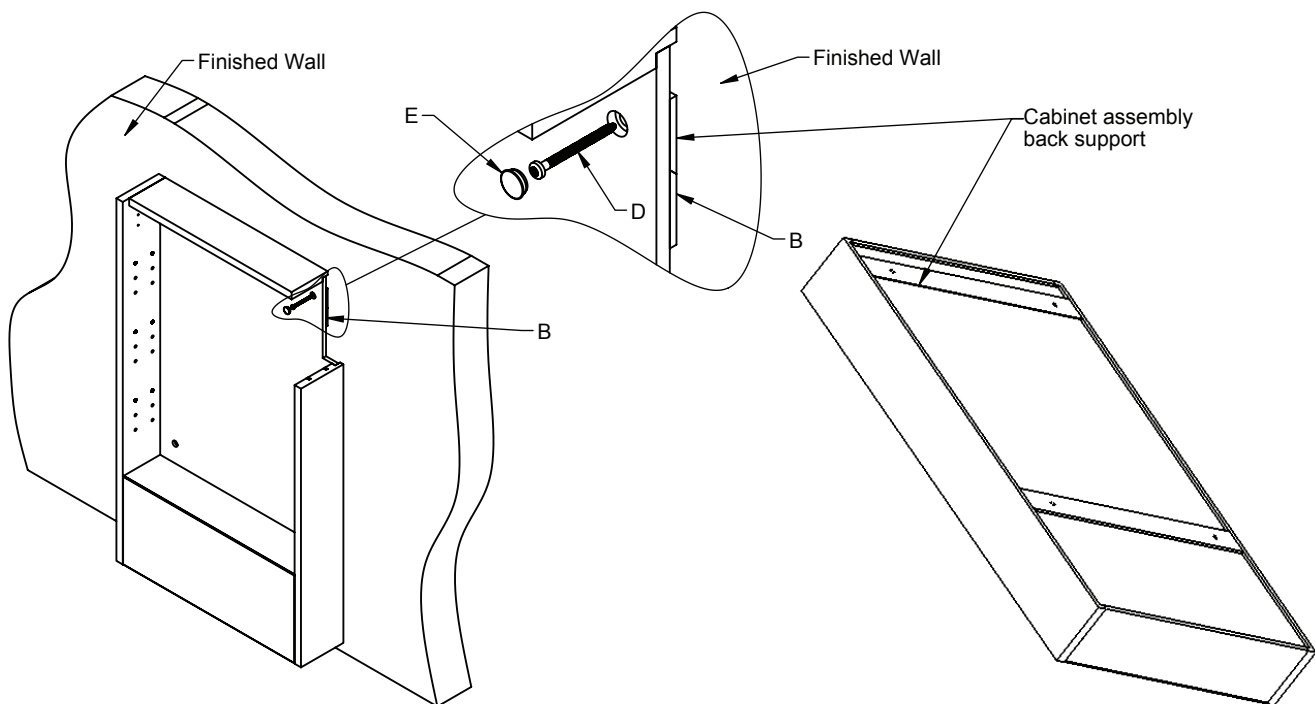


Figure #4



## INSTALLATION INSTRUCTIONS

## • STEP #5

- Determine the desired swing of the **Door assembly (H)**.
- Attach **Door assembly (H)** to desired side using the **Door screws (K)**.
- **NOTE: PRE-DRILLED HOLES ARE PROVIDED ON BOTH SIDES FOR DOOR SCREW LOCATION.**
- **NOTE: DO NOT OVER TIGHTEN SCREW CAUSING IT TO STRIP OUT.**
- Refer to **Figure #5**.

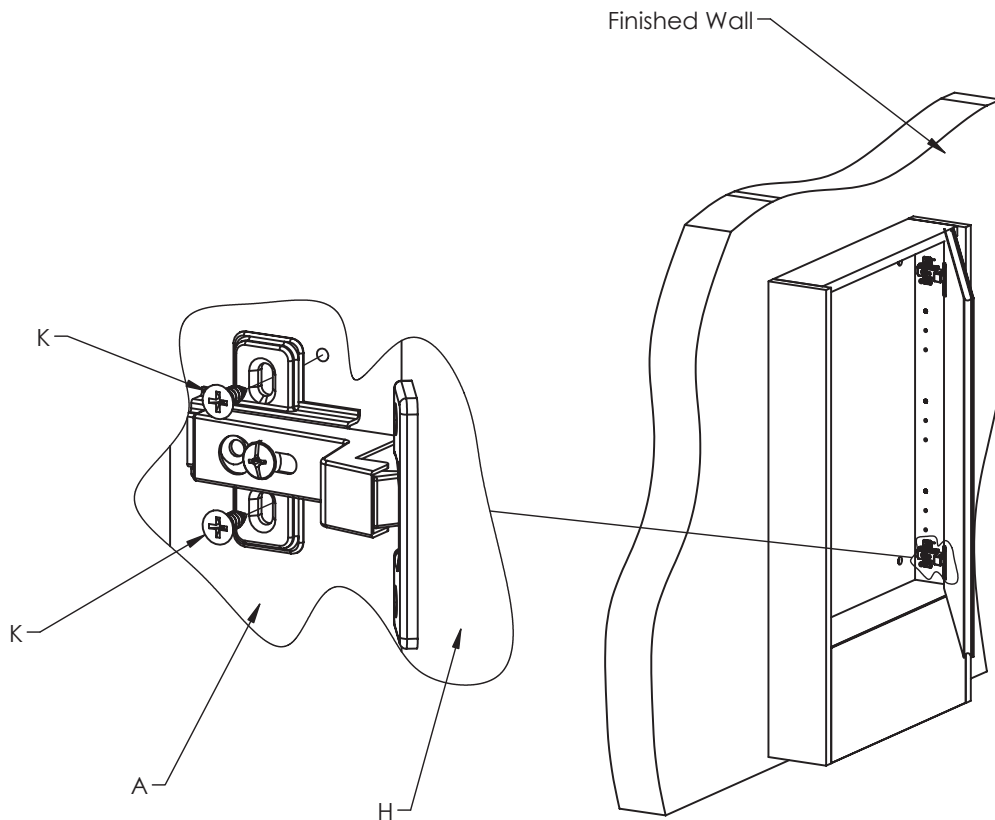


Figure #5



## INSTALLATION INSTRUCTIONS

## • STEP #6

- Attach **Door catch (I)** to desired side using the **Door catch screws (L)**.
- **NOTE: PRE-DRILLED HOLES ARE PROVIDED ON BOTH SIDES FOR DOOR CATCH LOCATION.**
- **NOTE: DO NOT OVER TIGHTEN SCREW CAUSING IT TO STRIP OUT.**
- Refer to **Figure #6**.

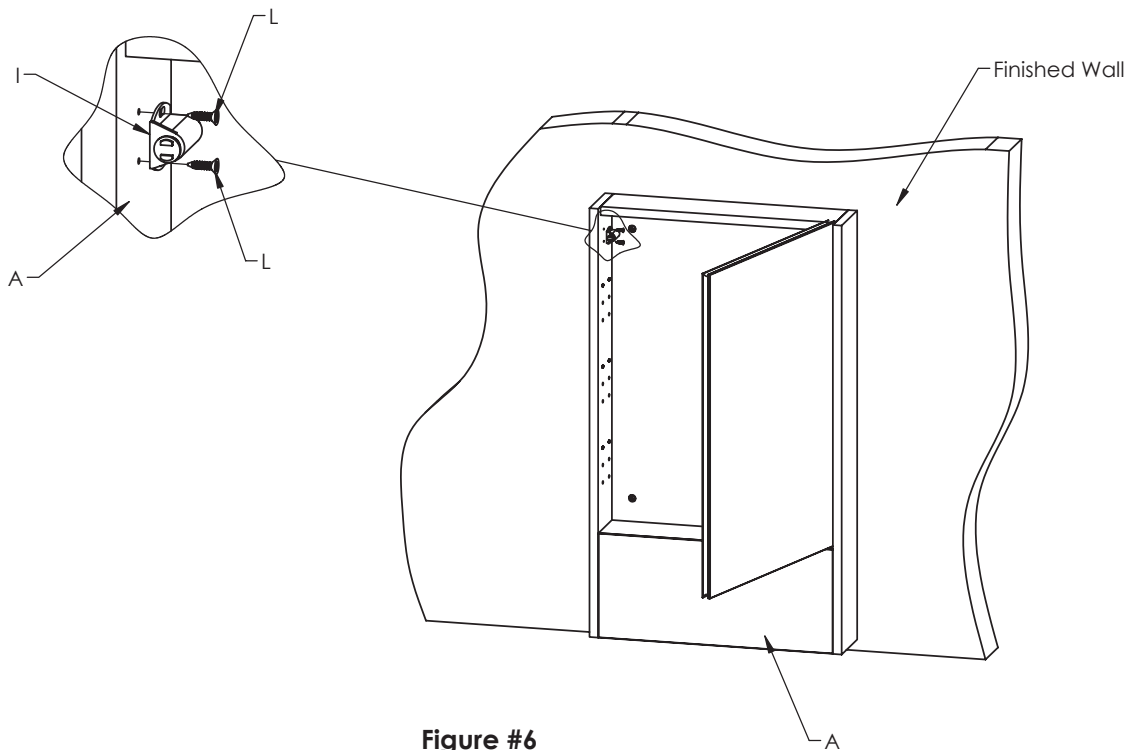


Figure #6





## INSTALLATION INSTRUCTIONS

## • STEP #7

- Screw the **Shelf supports (M)** in the desired location for **Wood shelf (J)** location
- Insert **Wood shelf (J)** so that it sits on top of the **Shelf supports (M)**.
- Refer to **Figure #7**.
- Refer to **Figure #8** for finished unit.

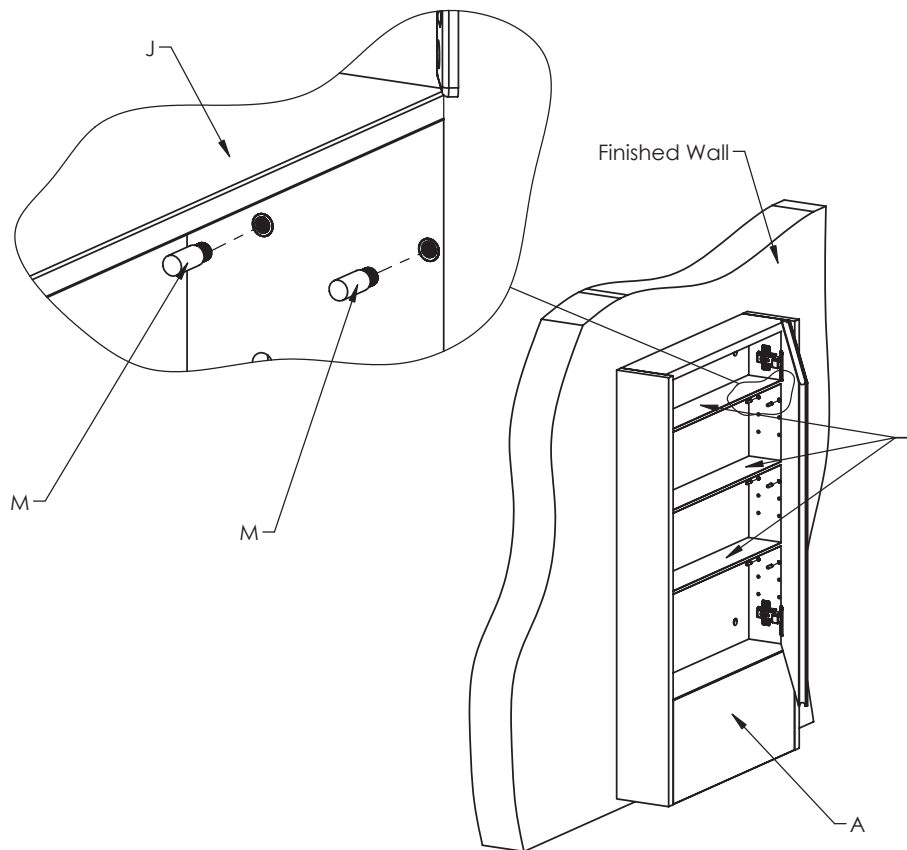
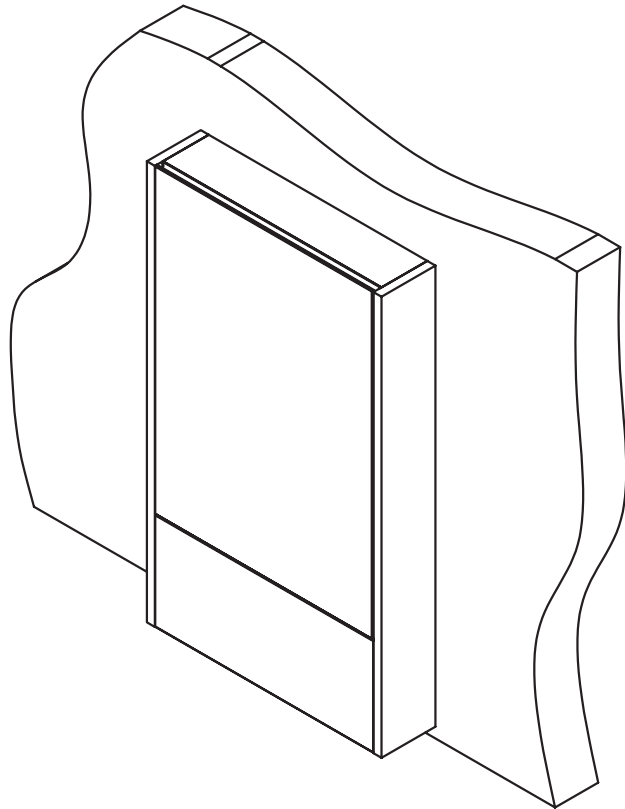


Figure #7



**INSTALLATION INSTRUCTIONS**



**Figure #8**



**CARE AND CLEANING**

- **DO NOT OVERTIGHTEN DRAIN.** Overtightening of the drain can damage your DECOLAV® product.
- **DO NOT** clean the product with Detergents, Acid, Abrasives, Harsh Cleaners or a cloth with a coarse surface (S.O.S.® Pads, Scotch Brite® Pads). This is good advice for any plumbing fixture regardless of material.
- **DO NOT** leave any cleaning agents other than water on your DECOLAV® product.
- **DO NOT** allow your DECOLAV® product to unnecessarily encounter other solid objects.
- **DO** clean your DECOLAV® product. Wipe with a damp cloth and dry with a soft cloth. If necessary, a general mild soap and water solution can be used. Use a mild furniture polish to clean wood frame.
- **DO** clean underside of your DECOLAV® product with mild soap and water ONLY.
- **DO** wipe your DECOLAV® product with a clean, dry, soft cloth after each use, as it will limit water spots, especially in hard water areas.
- **DO** clean your DECOLAV® mirror. Wipe with a glass cleaner and a clean soft cloth. Use a mild furniture polish to clean wood frame.

**FULL LIFETIME WARRANTY**

Any Deco Lav, Inc. ("DECOLAV") product(s), sold after January 1, 2006, will be warranted to the original end consumer to be free of true defect(s) in material and workmanship for life of the product(s) subject to the following restrictions:

- DECOLAV is notified promptly in writing, via fax or mail, by the Retail/Wholesale Purchaser upon discovery of any alleged defect(s) in the product(s), including a detailed description of the alleged defect(s).
- Proof of purchase (original sales receipt) from the original end consumer must be made available to DECOLAV for all warranty claims.
- Authorized DECOLAV personnel has inspected the product(s) and determined the product(s) to have true manufacturing defect(s).
- Such product(s) are returned to DECOLAV (unless other arrangements satisfactory to DECOLAV have been agreed upon).

This Lifetime Warranty is non-transferable and applies only to the original end consumer and to the original installation of the product(s). This Lifetime Warranty is void if the product(s) has been moved from its initial installation site or if ownership of the product(s) has changed.

**THIS LIFETIME WARRANTY DOES NOT COVER ANY DAMAGES CAUSED BY SHIPPING, MISUSE, ABUSE, ACCIDENTS, NEGLIGENCE, UNAUTHORIZED REPAIRS OR ALTERATIONS, MODIFICATIONS, USE OF OTHER THAN GENUINE DECOLAV REPLACEMENT PARTS, DIRT, LIME SCALE, AND OTHER MINERALS, SCUFFS AND SCRATCHES, EXPOSURE TO MARINE AREAS, ABNORMAL USAGE, AND NORMAL WEAR AND TEAR. ANY IMPROPER INSTALLATION, IMPROPER MAINTENANCE, IMPROPER HANDLING, IMPROPER AND CONTRARY USES NOT STATED WITHIN INSTRUCTIONS, AND ALL ACTS BEYOND DECOLAV'S CONTROL WILL VOID THIS LIFETIME WARRANTY.**

DECOLAV's product(s) are produced from natural raw materials and there is a slight color variance. This is **NOT** a manufacturing defect(s) and will not be covered under this Lifetime Warranty.

This Lifetime Warranty does not apply to local building code compliance. Since local building codes vary considerably, the original end consumer of the product(s) should check with a local building or plumbing contractor to ensure local code compliance before installation.

This Lifetime Warranty does not cover any mechanical pieces of any DECOLAV product(s). These mechanical pieces will be covered under a One Year Warranty, based on the same criteria as this Lifetime Warranty, from the date of the initial purchase.

Upon satisfaction of each of the foregoing conditions and requirements, DECOLAV shall, at its option, either repair or replace such defective product(s). DECOLAV shall return any product(s) repaired or replaced under this Lifetime Warranty to the original end consumer transportation prepaid. All Closeout/Discontinued product(s), at time of claim, will either be repaired or replaced with a comparable item.

DECOLAV's option to repair or replace the product(s) under this Lifetime Warranty does not cover any cost of labor to remove or install the DECOLAV product, usage and delay time, or other costs of removal or installation whatsoever. **IN NO EVENT WILL DECOLAV BE LIABLE FOR THE COST OF REPAIR OR REPLACEMENT OF ANY INSTALLATION MATERIALS, INCLUDING BUT NOT LIMITED TO, TILES, MARBLE, ETC.**

This Lifetime Warranty does not cover any liability for consequential or incidental damages, all of which are hereby expressly disclaimed, or the extension beyond the duration of this Lifetime Warranty. Some states do not allow the exclusion or limitation of incidental or consequential damages, so the above limitation or exclusion may not apply to you.

THE WARRANTIES HEREIN (A) ARE EXCLUSIVE AND STATED IN LIEU OF ALL OTHER WARRANTIES, WHETHER EXPRESS, STATUTORY, OR IMPLIED, INCLUDING BUT NOT LIMITED TO THE WARRANTIES OF MERCHANTABILITY AND FITNESS FOR AN INTENDED PURPOSE, ALL OF WHICH ARE HEREBY EXPRESSLY DISCLAIMED; (B) NEITHER ASSUME NOR AUTHORIZE PURCHASER NOR ANY OTHER PARTY TO ASSUME FOR DECOLAV ANY OTHER LIABILITIES IN CONNECTION WITH THE MANUFACTURE OR SALE OF PRODUCTS; AND (C) ARE SUBJECT TO THE LIMITATIONS ON DAMAGES AS SET FORTH ABOVE