


# Lever Handle Metering Handwash Faucet

**TECK®**  
COMMERCIAL



**SPECIFICATION: (example)**



- **HEAVY-DUTY CAST BRASS**  single hole mount faucet
- Polished chrome plated finish
- Vandal-resistant ADA lever handle 
- Delta® metering slow close cartridge
- Two body mounted stainless steel Anti-rotation locking pins
- Vandal-resistant non-aerating spray
- **Total flow not to exceed 0.25 gallon per handle activation**

- 87T105** 0.5 gpm (1.9 L/min)
- 87T905** 0.35 gpm (1.32 L/min)



**87T105**

**SPECIFICATION: (example)**

- **HEAVY-DUTY CAST BRASS**  single hole mount faucet
- Polished chrome plated finish
- Vandal-resistant ADA lever handle 
- Delta® metering slow close cartridge
- Two body mounted stainless steel Anti-rotation locking pins
- Mixing tee and inlet checks
- Vandal-resistant non-aerating spray
- **Total flow not to exceed 0.25 gallon per handle activation**

- 87T111** 0.5 gpm (1.9 L/min)
- 87T911** 0.35 gpm (1.32 L/min)



**87T111**



**87T151**

**COVERPLATE**

**SPECIFICATION: (example)**

- 87T151** with center faucet hole, two holddown shanks
- **HEAVY DUTY FORGED CAST BRASS**
- 102mm (4") center
- Polished chrome plated finish
- With locating holes for 87T104 to 87T911 metering faucets with anti-rotation locking pins
- **For secure Public Washroom Faucet/Fixture Installations**

**Engineer/Architect Approval**

Model Specified:

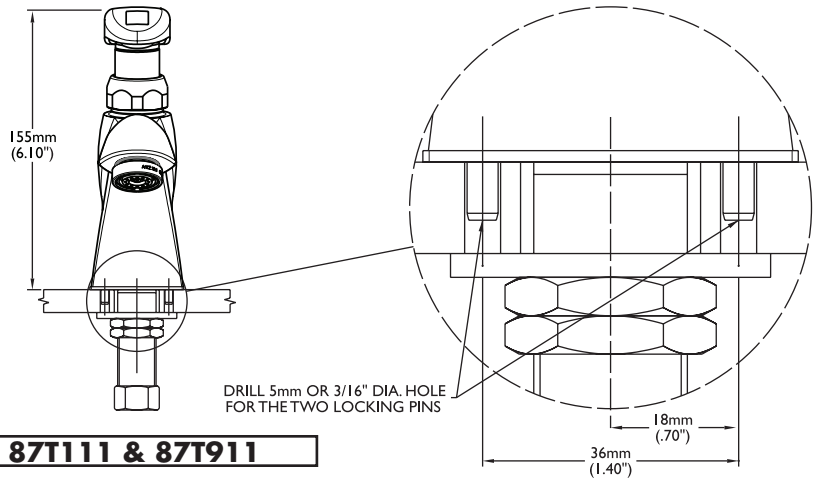
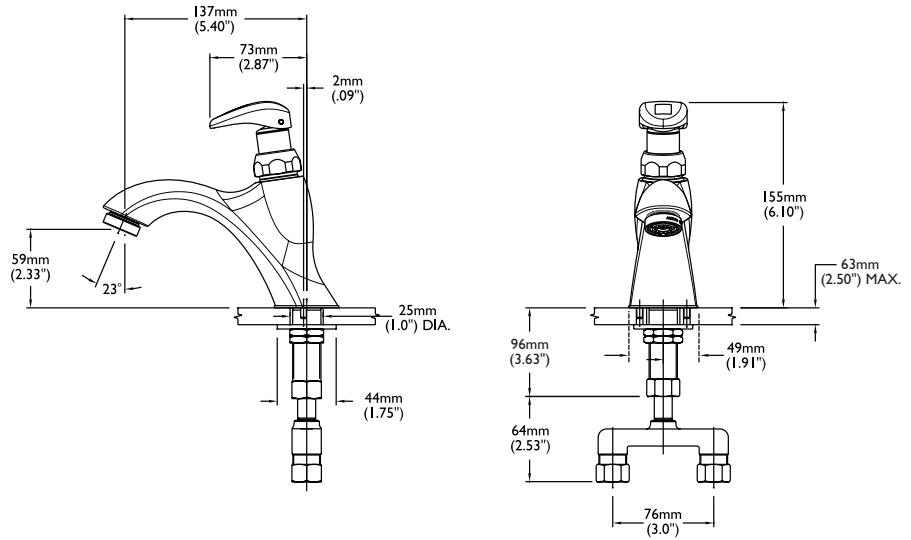
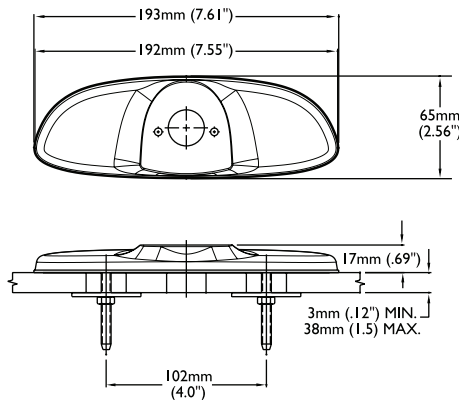
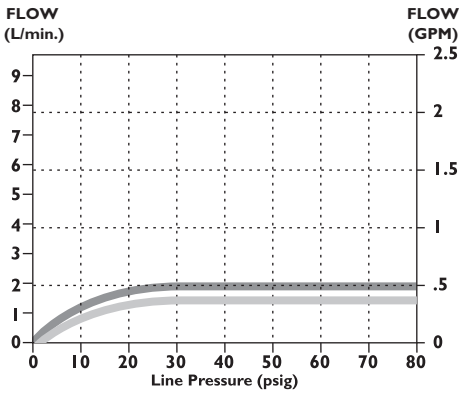
Approval:

Date:

**Approvals:**

- CSA certified
- Complies to ASME A112.18.1/CSA B125.1
- Indicates compliance to ICC/ANSI A117.1
- Verified compliant with 0.25% weighted average Pb content regulations

(Contact Delta Representative for State and/or Local Approvals.)

**87T105 - 87T911 - LOCKING PINS**

**87T111 & 87T911**

**87T151**

**FLOW RATE vs PRESSURE**

**Spout Outlets**

- 0.5 gpm (1.9 L/min) Outlet
- - - 0.35 gpm (1.32 L/min) Outlet

**INLETS - 1/2" MIP/Coupling Nuts**

Note: Measurements may vary  $\pm 6$ mm (0.25")

Refer to [www.specselect.com](http://www.specselect.com) for individual models.

Note: Use this page front and back as a product submittal sheet.