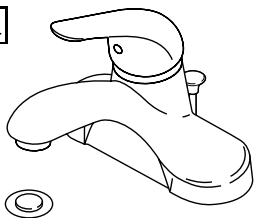


B501LF ▲/B501LF-LH ▲



B510LF ▲/B510LF-PPU ▲



LAVATORY FAUCETS

- Single Handle Deck Mount
- 3 Hole Sink Applications
- 4" Centerset

STANDARD SPECIFICATIONS

- Solid brass fabricated body.
- Single handle lavatory faucets for exposed mounting on 3 hole sinks with 4" centers.
- 4" (102 mm) centerset.
- 4 1/4" (108 mm) long spout.
- All operating parts shall be replaceable from the top.
- Lever handle. Control mechanism is the rotating stainless steel ball type with replaceable non-metallic seats.
- Control handle shall return to neutral position when valve is turned off.
- Models have 1/4" O.D. copper supply tubes - 3 1/2" (89 mm) long with 1/2"-14 NPSM adapters.
- Maximum flow rate 1.5 gpm @ 60 PSI.
- Metal drain with pop-up type fitting with plated flange and stopper.
- Models with "PPU" have plastic pop-up type fitting with plated flange and stopper.
- Models with "LH" no drain and no lift rod hole.

WARRANTY

- Lifetime limited warranty on parts (other than electronic parts and batteries) and finishes: or, for commercial users, for 5 years from date of purchase.
- 5 year limited warranty on electronic parts (other than batteries); or, for commercial users, for 1 year from the date of purchase. No warranty is provided on batteries.



COMPLIES WITH

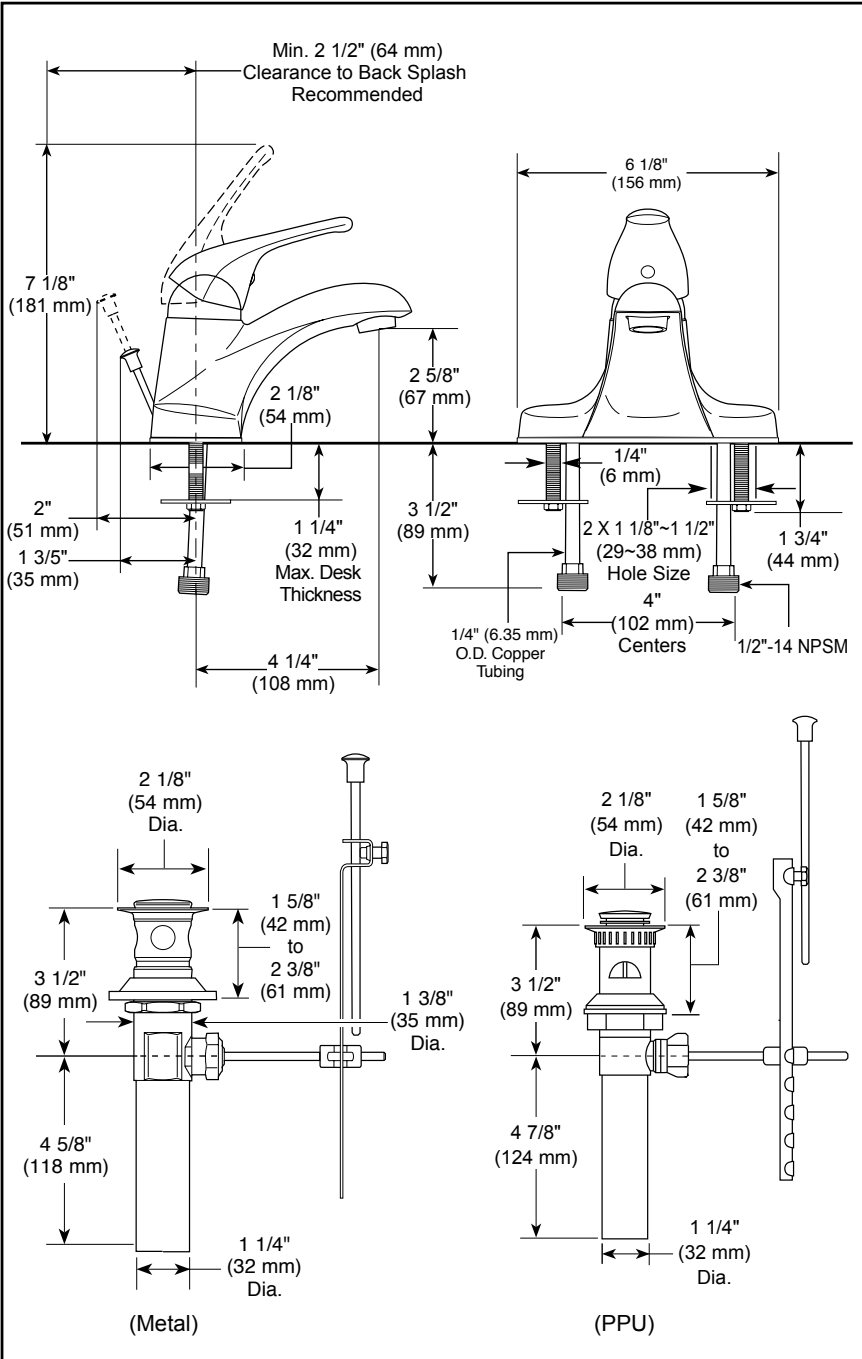
- ASME A112.18.1 / CSA B125.1
- ASME A112.18.2 / CSA B125.2



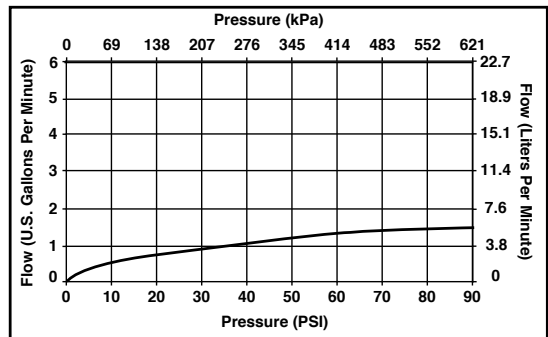
Indicates compliance to ICC / ANSI A117.1

- EPA WaterSense®

Verified compliant with 0.25% weighted average Pb content regulations.



▲ Designate proper finish suffix



55 E. 111th Street, Indianapolis, Indiana 46280
350 South Edgeware Road, St. Thomas, ON N5P 4L1
© 2014 Masco Corporation of Indiana

Delta reserves the right (1) to make changes in specifications and materials, and (2) to change or discontinue models, both without notice or obligation. Dimensions are for reference only. See full-line price book or www.deltafaucet.com for finish options and product availability.