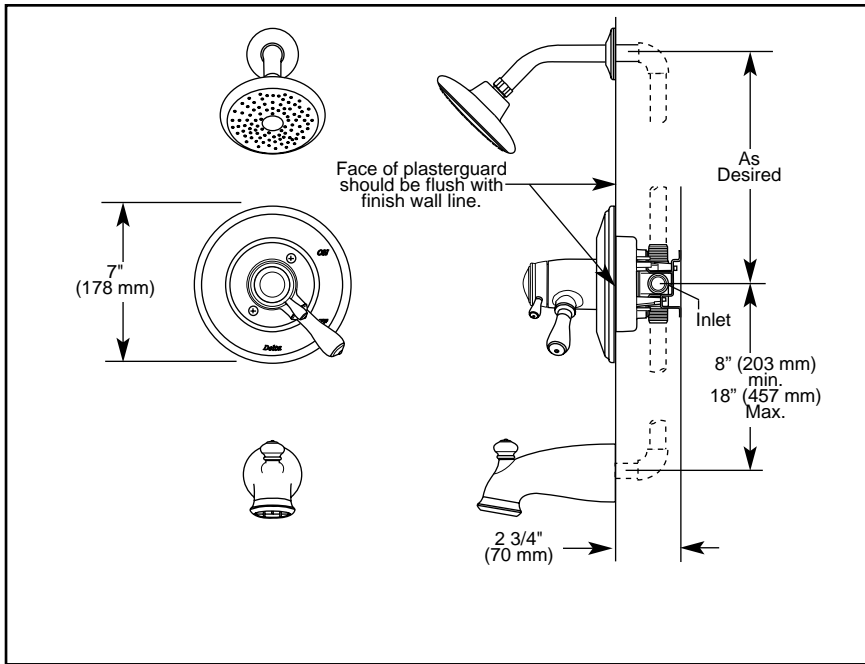


Submitted Model No.: _____

Specific Features: _____



TUB AND SHOWER JETTED SHOWER™ TRIM

- Leland® Bath Collection
- TempAssure® Thermostatic
- Valve Only (T17T078)
- Shower Only (T17T278)
- Tub/Shower (T17T478)

STANDARD SPECIFICATIONS:

- TempAssure® 17T thermostatic valve cartridge.
- Thermostatic wax element maintains the outlet temperature to $\pm 3.6^\circ\text{F}$.
- Must also order R10000-UNBX rough valve body.
- Back to back installation capability.
- Lever volume control handle; temperature adjustment dial.
- Graphics indicate hot/cold temperature adjustment.
- Field adjustable to limit rotation into hot water zone.
- All parts are replaceable from the front of the valve.
- Adjusts for up to 1" wall thickness.

WARRANTY

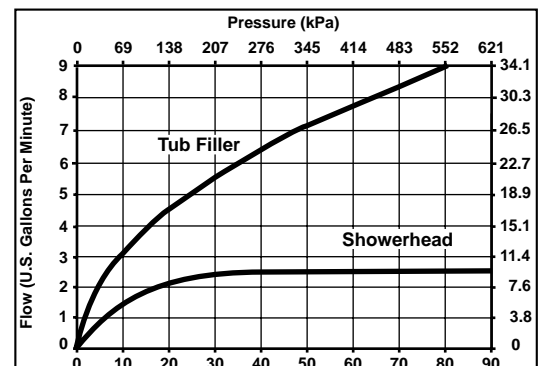
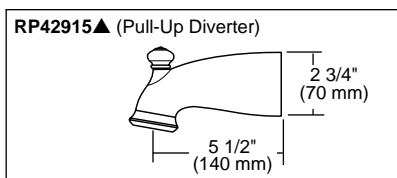
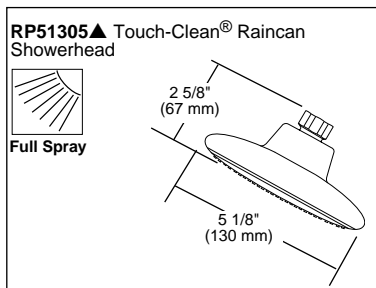
- Lifetime Faucet and Finish Limited Warranty to the original consumer purchaser to be free from defects in material and workmanship.
- 5 Year Limited Warranty for usage in all industrial, commercial and business applications.



COMPLETE VALVE COMPLIES WITH:

- ASME A112.18.1 / CSA B125.1
- ASSE 1016
- ☒ Indicates ADA compliance to ICC/ANSI A117.1
- CSA Certified
- IAPMO Listed

▲ Designate proper finish suffix



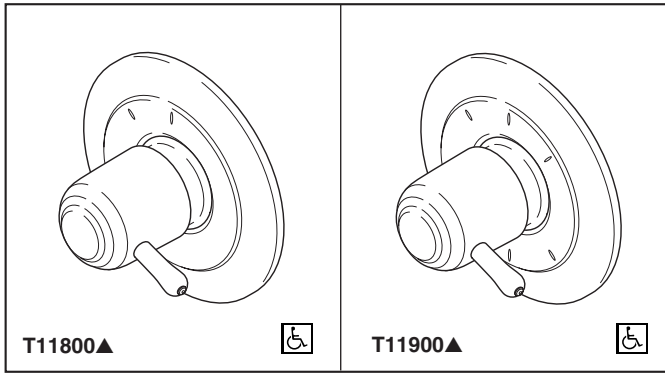
55 E. 111th Street, Indianapolis, Indiana 46280
 395 matheson Blvd. E., Mississauga, ON L4Z 2H2
 © 2007 Masco Corporation of Indiana

Delta reserves the right (1) to make changes in specifications and materials, and (2) to change or discontinue models, both without notice or obligation. Dimensions are for reference only. See current full-line price book or www.specselect.com for finish options and product availability.



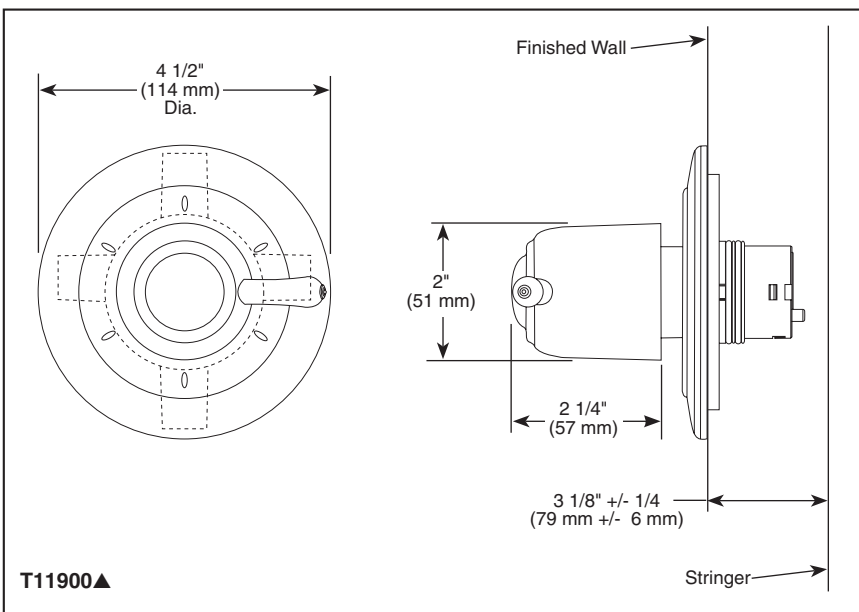
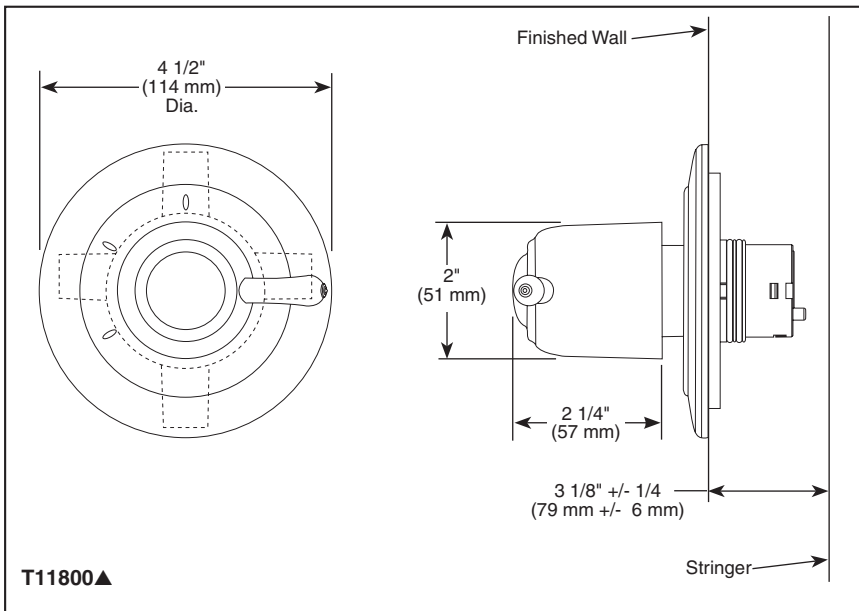
CUSTOM SHOWER DIVERTER

- Innovations® Collection
- Three Function Diverter Trim (T11800)
- Six Function Diverter Trim (T11900)
- Coordinates With All Delta Innovations® Styled Bath Suites



Submitted Model No.: _____

Specific Features: _____



▲ Designate proper finish suffix

Delta reserves the right (1) to make changes in specifications and materials, and (2) to change or discontinue models, both without notice or obligation. Dimensions are for reference only. See current full-line price book or www.specselect.com for finish options and product availability.

DSP-B-T11800 Rev. A

STANDARD SPECIFICATIONS

- Three function diverter. 2 individual positions, 1 shared position.
- Six function diverter. 3 individual positions, 3 shared positions.
- 1/2" rough-in.
- Must also order R1 1000 rough-in.

WARRANTY

- Lifetime Faucet and Finish Limited Warranty to the original consumer purchaser to be free from defects in material and workmanship.
- 5 Year Limited Warranty for usage in all industrial, commercial and business applications.

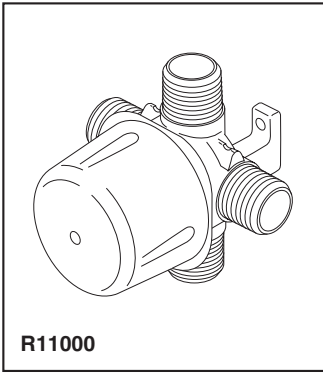


COMPLIES WITH:

- ASME A112.18.1 / CSA B125.1
- Indicates compliance to ICC/ANSI A117.1
- IAPMO Listed
- CSA Certified



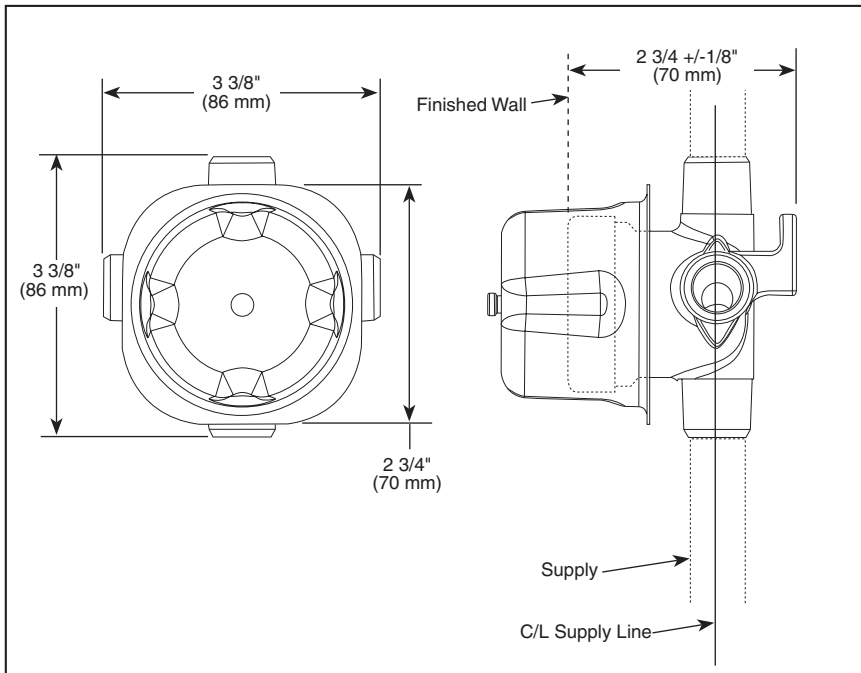
55 E. 111th Street, Indianapolis, Indiana 46280
395 Matheson Blvd. E., Mississauga, ON L4Z 2H2
© 2010 Masco Corporation of Indiana



R11000

Submitted Model No.: _____

Specific Features: _____



ROUGH VALVE BODY

- R11000 (Case Qty. 3)
- 1/2" Rough-In

STANDARD SPECIFICATIONS

- Three port diverter rough.
- For use with (3) three or (6) six function diverter.
- Forged brass body.
- Can be tested with air (200 psi) or water (300 psi) using supplied test cap.
- Refer to the installation instructions for more details.

WARRANTY

- Lifetime Faucet and Finish Limited Warranty to the original consumer purchaser to be free from defects in material and workmanship.
- 5 Year Limited Warranty for usage in all industrial, commercial and business applications.



COMPLIES WITH:

- ASME A112.18.1 / CSA B125.1

Delta reserves the right (1) to make changes in specifications and materials, and (2) to change or discontinue models, both without notice or obligation. Dimensions are for reference only. See current full-line price book or www.specselect.com for finish options and product availability.

DSP-B-R11000 Rev. C



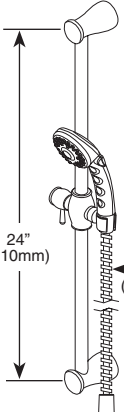
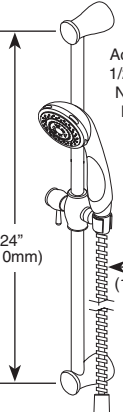
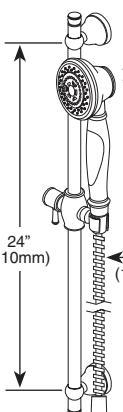
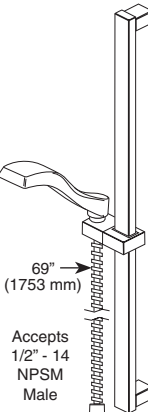
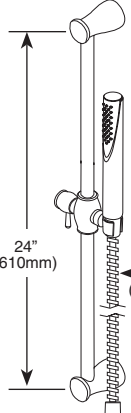
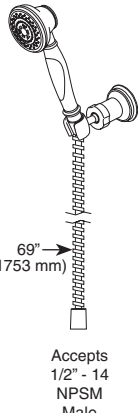
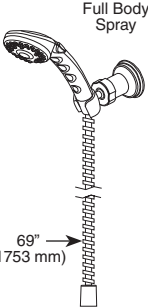
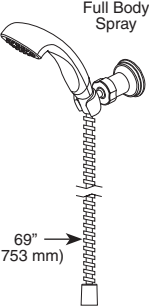
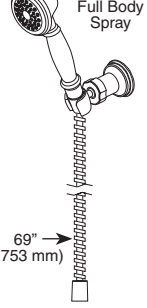
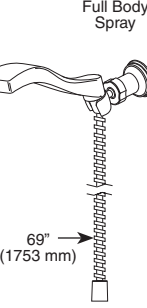
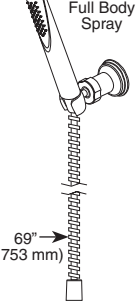
55 E. 111th Street, Indianapolis, Indiana 46280
 350 South Edgeware Road, St. Thomas, ON N5P 4L1
 © 2012 Masco Corporation of Indiana

Submitted Model No.: _____

Specific Features: _____



PERSONAL HAND HELD SHOWERS

<p>57011▲ 2.0 GPM</p>  <p>24" (610mm) 69" (1753 mm)</p> <p>Full Body Spray</p>	<p>57014▲ 2.5 GPM</p>  <p>24" (610mm) 69" (1753 mm)</p> <p>Full Body Spray Accepts 1/2" - 14 NPSM Male Massage Spray Full Spray w/Massage Soft Drench Spray Soft Drench Spray w/ Massage</p>	<p>57021▲ 2.5 GPM</p>  <p>24" (610mm) 69" (1753 mm)</p> <p>Full Body Spray Accepts 1/2" - 14 NPSM Male Massage Spray Full Spray w/Massage Soft Drench Spray Soft Drench Spray w/ Massage</p>		
<p>57051▲ 2.0 GPM</p>  <p>25 3/4" (654 mm) 69" (1753 mm)</p> <p>Full Body Spray</p> <p>Accepts 1/2" - 14 NPSM Male</p>	<p>57085▲ 2.5 GPM</p>  <p>24" (610mm) 69" (1753 mm)</p> <p>Full Body Spray</p> <p>Accepts 1/2" - 14 NPSM Male</p>	<p>55021▲ 2.5 GPM</p>  <p>69" (1753 mm)</p> <p>Full Body Spray Massage Spray Full Spray w/Massage Soft Drench Spray Soft Drench Spray w/ Massage</p> <p>Accepts 1/2" - 14 NPSM Male</p>		
<p>55011▲ 2.0 GPM</p>  <p>69" (1753 mm)</p> <p>Full Body Spray</p> <p>Accepts 1/2" - 14 NPSM Male</p>	<p>55013▲ 2.0 GPM</p>  <p>69" (1753 mm)</p> <p>Full Body Spray</p> <p>Accepts 1/2" - 14 NPSM Male</p>	<p>55020▲ 2.0 GPM</p>  <p>69" (1753 mm)</p> <p>Full Body Spray</p> <p>Accepts 1/2" - 14 NPSM Male</p>	<p>55051▲ 2.0 GPM</p>  <p>69" (1753 mm)</p> <p>Full Body Spray</p> <p>Accepts 1/2" - 14 NPSM Male</p>	<p>55085▲ 2.5 GPM</p>  <p>69" (1753 mm)</p> <p>Full Body Spray</p> <p>Accepts 1/2" - 14 NPSM Male</p>

- 69" (1753 mm) Flexible Hose w/Brass Connections
- Certified Dual Check Valves
- 24" Wall Bar or Handshower
- Wall Mount Handshower

STANDARD SPECIFICATIONS:

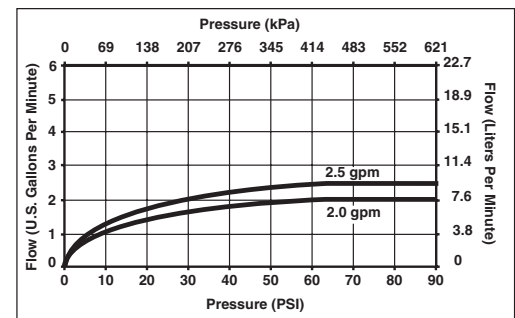
- ABS hand held shower with one or five settings – not a positive shut-off.
- 69" (1753 mm) flexible hose.
- Certified dual check valves for backflow protection.
- 24" (610 mm) wall bar with adjustable slide (allows for adjustable shower height) - 57011, 57014, 57021, 57051 and 57085 only. Not to be used as a Grab Bar. Not ADA compliant.
- Wall mount bracket - 55011, 55013, 55020, 55051 and 55085 only.
- 2.5 gpm @ 80 psi (9.5 L/min @ 552 kPa).
- 2.0 gpm @ 80 psi (7.6 L/min @ 552 kPa).

WARRANTY

- Lifetime Faucet and Finish Limited Warranty to the original consumer purchaser to be free from defects in material and workmanship.
- 5 Year Limited Warranty for usage in all industrial, commercial and business applications.



COMPLIES WITH:
 ■ ASME A112.18.1/CSA B125.1
 * As noted

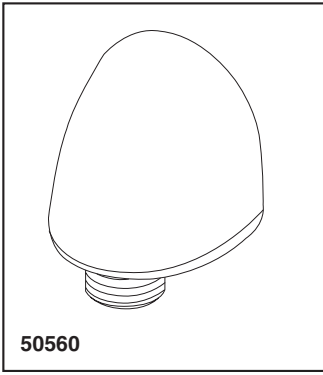


▲ Designate proper finish suffix

◆ Your Delta Faucet hand shower incorporates a backflow protection system that has been tested to be in compliance with ASME A112.18.3 and ASME A112.18.1/CSA B125.1. It incorporates two certified check valves in series, which operate independently and are integral, non-serviceable parts of the wand assembly.

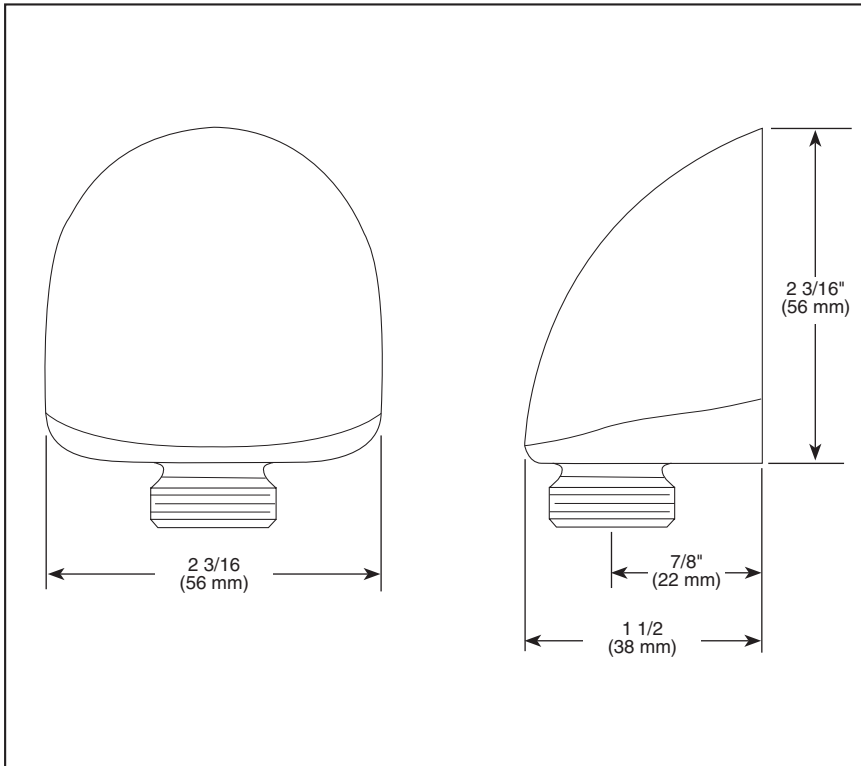


55 E. 111th Street, Indianapolis, Indiana 46280
 350 South Edgeware Road, St. Thomas, ON N5P 4L1
 © 2011 Masco Corporation of Indiana



Submitted Model No.: _____

Specific Features: _____



ELBOW

STANDARD SPECIFICATIONS

- Solid brass construction.
- 1/2" female NPT inlet.
- 1/2" male NPSM outlet for connecting to shower hoses.

WARRANTY

- Lifetime Faucet and Finish Limited Warranty to the original consumer purchaser to be free from defects in material and workmanship.
- 5 Year Limited Warranty for usage in all industrial, commercial and business applications.

COMPLIES WITH:

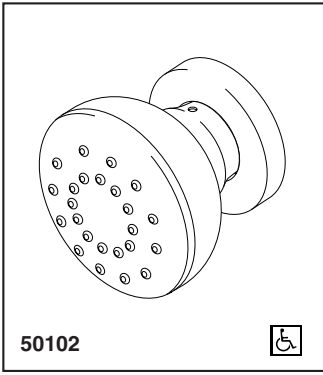
- ASME A112.18.1 / CSA B125.1

Delta reserves the right (1) to make changes in specifications and materials, and (2) to change or discontinue models, both without notice or obligation. Dimensions are for reference only. See current full-line price book or www.specselect.com for finish options and product availability.

DSP-B-50560 Rev. A

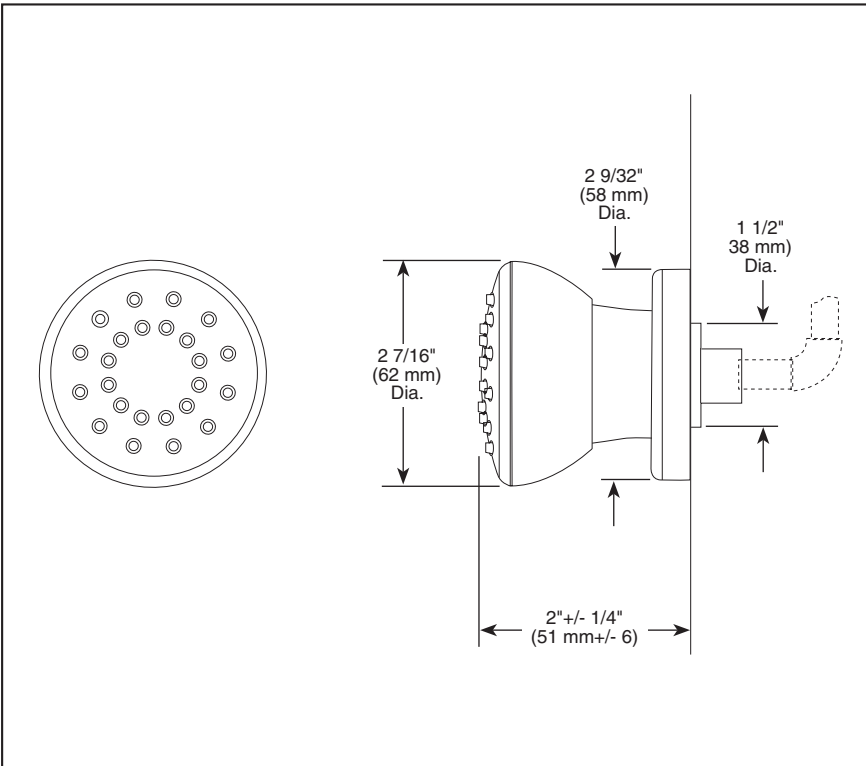


55 E. 111th Street, Indianapolis, Indiana 46280
 350 South Edgeware Road, St. Thomas, ON N5P 4L1
 © 2012 Masco Corporation of Indiana



Submitted Model No.: _____

Specific Features: _____



BODY SPRAY

- 2.0 GPM
- 1/2" Rough-In

STANDARD SPECIFICATIONS

- 1/2" rough-in.*
 - 30° up and down adjustment.
 - 2.0 gpm @ 80 PSI.
 - Solid brass construction.
 - Matching finish spray face.
 - Touch-clean® nubs.
- *Note: This installation requires a 1/2" male threaded pipe fitting to extend 1/4" beyond the finished surface.

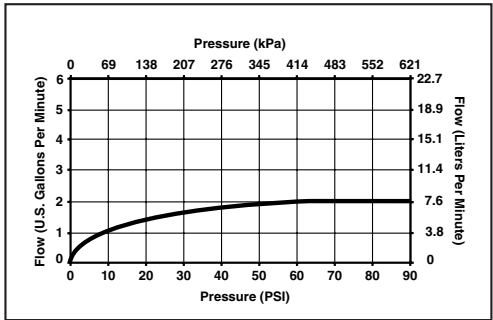
WARRANTY

- Lifetime Faucet and Finish Limited Warranty to the original consumer purchaser to be free from defects in material and workmanship.
- 5 Year Limited Warranty for usage in all industrial, commercial and business applications.



COMPLIES WITH:

- ANSI/ASME A112.18.1 / CSA B125.1



Delta reserves the right (1) to make changes in specifications and materials, and (2) to change or discontinue models, both without notice or obligation. Dimensions are for reference only. See current full-line price book or www.specselect.com for finish options and product availability.

