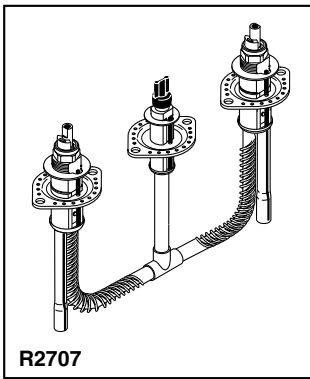




ROUGH-IN KIT

- Two Handle Roman Tub Rough-In Kit
- Flexible Deck or Ledge Mount
- Adjustable Rough-In for Thin or Thick Deck Installations
- Installed Before Mud and Tile Applied in Thick Deck Situation
- Three Hole Installation
- 16" (406 mm) Maximum Widespread (without using additional tubing)
- Temperature and Volume Controlled with Handles
- Trim Kit Must Also be Ordered to Complete Installation

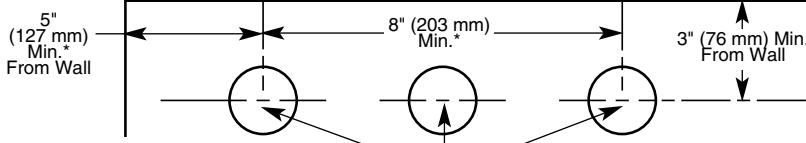


R2707

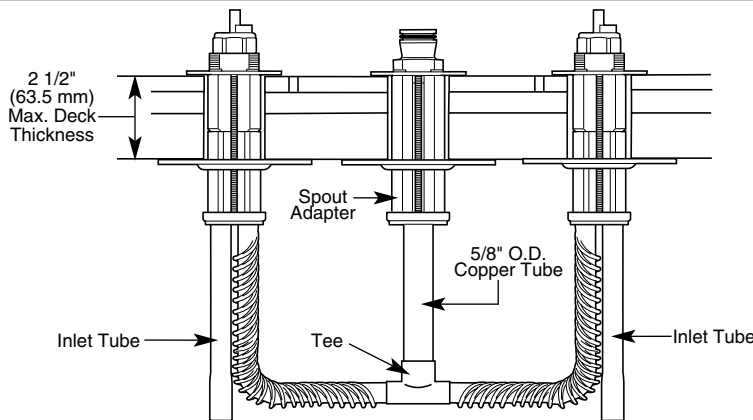
Submitted Model No.: _____

Specific Features: _____

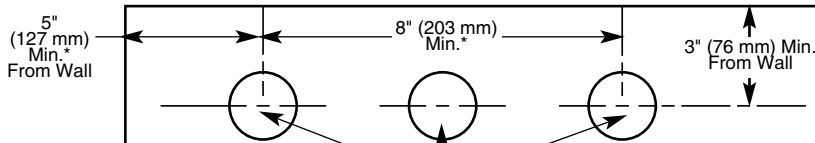
Finished Deck (Standard) Installation



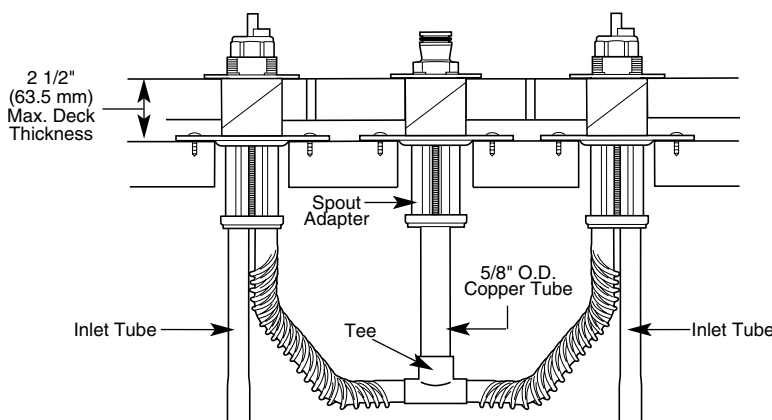
*16" (406 mm) Maximum Without Using Additional Tubing.
 1 1/2" (38 mm) Dia.



Rough Deck (Thick Tile) Installation



*16" (406 mm) Maximum Without Using Additional Tubing.
 2" (51 mm) Dia.



COMPLIES WITH:

- ASME A112.18.1
- CSA B125

ROUGH-IN KIT STANDARD SPECIFICATIONS:

- Washerless.
 - Three hole installation.
 - 5/8" O.D. copper supply inlet tubes.
 - 5/8" O.D. corrugated copper supply outlet tubes.
 - Widespread 16" (406 mm) maximum centers without using additional tubing.
 - Flexible deck or ledge mount installation.
 - Solid fabricated brass end valves and spout body.
 - Control mechanism shall be of the rotating cylinder type with stainless steel plate and 180° rotation, with replaceable non-metallic seats operating in stainless steel lined sockets.
 - Hot and cold stems are interchangeable.
 - Temperature and volume controlled with handles.
 - All operating parts shall be replaceable from the top.
- NOTE: Trim kit must also be ordered to complete installation. Refer to separate trim kit specifications to determine the best kit for your situation.



Indianapolis, Indiana 46280
A Division of Masco Corporation of Indiana
© 2003 Masco Corporation of Indiana

DSP-B-R2707