

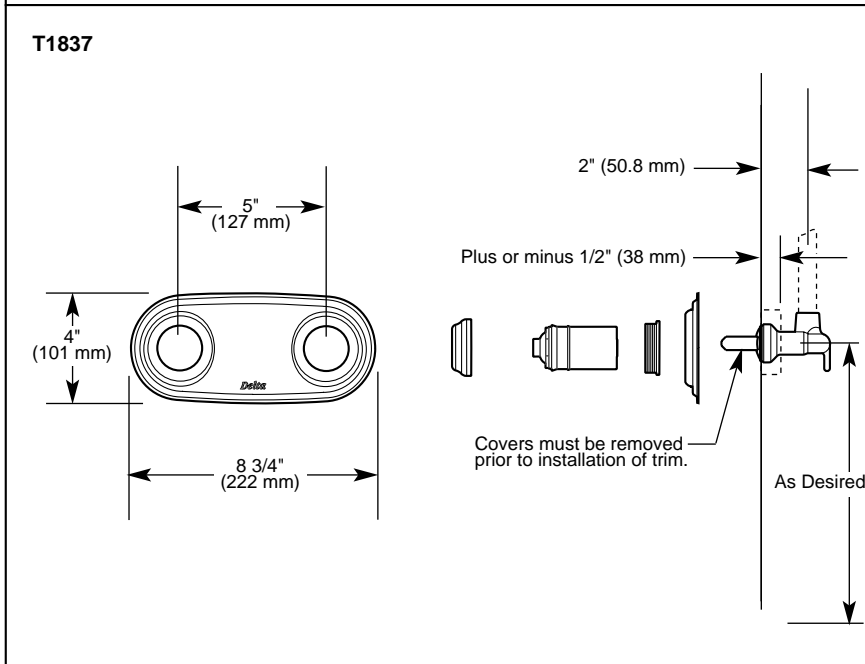
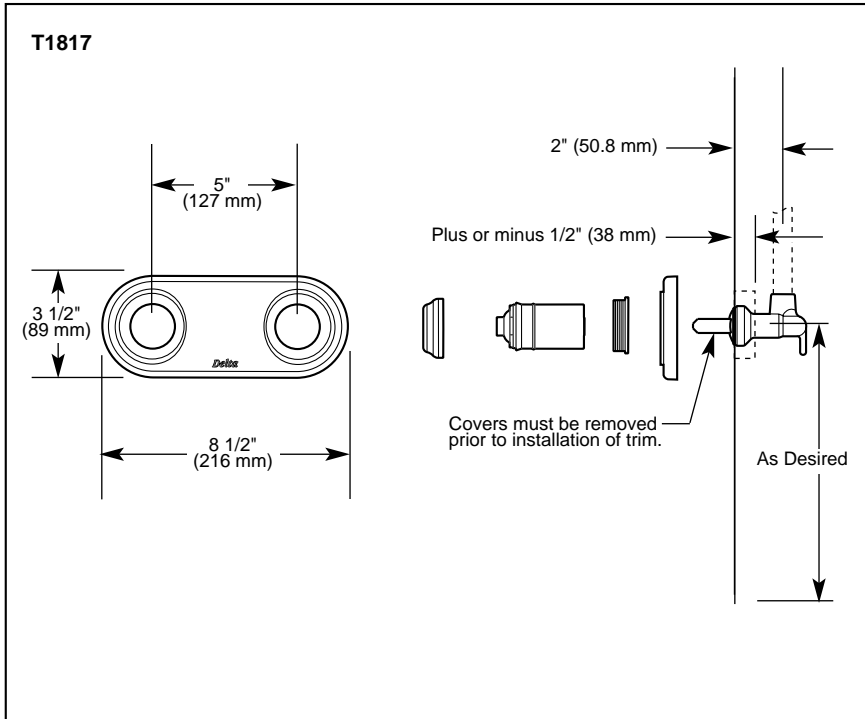
DELTA

JETTED SHOWER XO™ JET MODULE TRIM

- T1817 Series
- T1837 Series

Submitted Model No.: _____

Specific Features: _____



STANDARD SPECIFICATIONS:

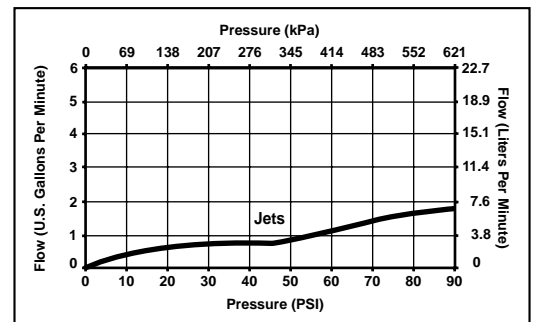
- For use with 18 Series Jetted Shower XO™ valve body rough (R18222 or R14442) and Jet Module Rough (R1817).

WARRANTY

- Lifetime Faucet and Finish Limited Warranty to the original consumer purchaser to be free from defects in material and workmanship.
- 5 Year Limited Warranty for usage in all industrial, commercial and business applications.

COMPLETE VALVE COMPLIES WITH:

- ASME A112.18.1 / CSA B125.1



Delta reserves the right (1) to make changes in specifications and materials, and (2) to change or discontinue models, both without notice or obligation. Dimensions are for reference only. See current full-line price book for finish options and product availability.



Indianapolis, Indiana 46280
A Division of Masco Corporation of Indiana
© 2006 Masco Corporation of Indiana