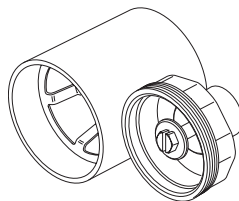




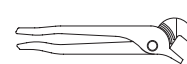
54762

BODY SPRAY ROUGH ROCIADOR PARA EL CUERPO JET DE DOUCHE

Models/Modelos/Modèles
R50001
Series/Series/Seria



**You may need/Usted puede necesitar/
Articles dont vous pouvez avoir besoin:**



Write purchased model number here.
Escriba aquí el número del modelo comprado.
Inscrivez le numéro de modèle ici.

LIFETIME FAUCET AND FINISH LIMITED WARRANTY

All parts and finishes of the Delta® faucet are warranted to the original consumer purchaser to be free from defects in material & workmanship for as long as the original consumer purchaser owns their home. Delta Faucet Company recommends using a professional plumber for all installation & repair.

Delta will replace, FREE OF CHARGE, during the warranty period, any part or finish that proves defective in material and/or workmanship under normal installation, use & service. Replacement parts may be obtained by calling 1-800-345-DELTA (in the U.S. and Canada) or by writing to:

In the United States:
Delta Faucet Company
Product Service
55 E. 111th Street
Indianapolis, IN 46280

In Canada:
Masco Canada Limited, Plumbing Group
350 South Edgeware Road
St. Thomas, Ontario, Canada N5P 4L1

This warranty is extensive in that it covers replacement of all defective parts and even finish, but these are the only two things that are covered. LABOR CHARGES AND/OR DAMAGE INCURRED IN INSTALLATION, REPAIR, OR REPLACEMENT AS WELL

AS ANY OTHER KIND OF LOSS OR DAMAGES ARE EXCLUDED. Proof of purchase (original sales receipt) from the original consumer purchaser must be made available to Delta for all warranty claims. THIS IS THE EXCLUSIVE WARRANTY BY DELTA FAUCET COMPANY, WHICH DOES NOT MAKE ANY OTHER WARRANTY OF ANY KIND, INCLUDING THE IMPLIED WARRANTY OF MERCHANTABILITY.

This warranty excludes all industrial, commercial & business usage, whose purchasers are hereby extended a five year limited warranty from the date of purchase, with all other terms of this warranty applying except the duration of the warranty. This warranty is applicable to Delta® faucets manufactured after January 1, 1995.

Some states/provinces do not allow the exclusion or limitation of incidental or consequential damages, so the above limitation or exclusion may not apply to you. Any damage to this faucet as a result of misuse, abuse, or neglect, or any use of other than genuine Delta® replacement parts WILL VOID THE WARRANTY.

This warranty gives you specific legal rights, and you may also have other rights which vary from state/province to state/province. It applies only for Delta® faucets installed in the United States of America, Canada, and Mexico.

© 2012 Masco Corporation of Indiana

GARANTÍA LIMITADA DE POR VIDA DE LA LLAVE Y SU ACABADO

Todas las piezas y acabados de la llave Delta® están garantizados al consumidor comprador original, de estar libres de defectos de material y fabricación, por el tiempo que el consumidor comprador original sea dueño de su casa. Delta Faucet Company recomienda que use un plomero profesional para todas las instalaciones y reparaciones.

Delta reemplazará, LIBRE DE CARGO, durante el período de garantía, cualquier pieza o acabado que pruebe tener defectos de material y/o fabricación bajo instalación normal, uso y servicio. Piezas de repuesto pueden ser obtenidas llamando al 1-800-345-DELTA (en los Estados Unidos y Canada) o escribiendo a:

En los Estados Unidos:
Delta Faucet Company
Product Service
55 E. 111th Street
Indianapolis, IN 46280

En Canada:
Masco Canada Limited, Plumbing Group
350 South Edgeware Road
St. Thomas, Ontario, Canada N5P 4L1

Esta garantía es extensiva en lo que cubre el reemplazamiento de todas las piezas defectuosas y hasta el acabado, pero éstas son las únicas dos cosas que están cubiertas. CARGOS DE LABOR Y/O DAÑOS INCURRIDOS EN LA INSTALACIÓN, REPARACIÓN, O REEMPLAZAMIENTO COMO TAMBIÉN CUALQUIER OTRO TIPO DE PÉRDIDA O

DAÑOS ESTÁN EXCLUIDOS. Prueba de compra (recibo original de venta) del comprador consumidor original debe de ser disponible a Delta para todos los reclamos. ESTA ES LA GARANTÍA EXCLUSIVA DE DELTA FAUCET COMPANY, QUE NO HACE CUALQUIER OTRA GARANTÍA DE CUALQUIER TIPO, INCLUYENDO LA GARANTÍA IMPLÍCITA DE COMERCIALIZACIÓN.

Esta garantía excluye todo uso industrial, comercial y de negocio, a cuyos compradores se les da una garantía limitada extendida de cinco años desde la fecha de compra, con todos los otros términos de esta garantía aplicados, excepto el de duración de ésta. Esta garantía es aplicable a las llaves de Delta® fabricadas después de Enero 1, 1995.

Algunos estados/provincias no permiten la exclusión o limitación de daños incidentales o consecuentes, de manera que la limitación o exclusión arriba escrita puede no aplicarle a usted. Cualquier daño a esta llave, resultado del mal uso, abuso, o descuido, o cualquier otro uso de piezas de repuesto que no sean genuinas de Delta® ANULARÁN LA GARANTÍA.

Esta garantía le da derechos legales específicos, y usted puede, también tener otros derechos que varían de estado/provincia a estado/provincia. Es aplicable sólo a las llaves Delta® instaladas en los Estados Unidos de America, Canada y Mexico.

© 2012 Masco Corporación de Indiana

GARANTIE À VIE LIMITÉE DES ROBINETS ET DE LEURS FINIS

Toutes les pièces et les finis du robinet Delta® sont protégés contre les défauts de matériau et les vices de fabrication par une garantie qui est consentie au premier acheteur et qui demeure valide tant que celui-ci demeure propriétaire de sa maison. Delta recommande de faire appel à un plombier compétent pour l'installation et la réparation du robinet.

Pendant la période de garantie, Delta remplacera GRATUITEMENT toute pièce ou tout fini, présentant une déféctuosité de matériau ou un vice de fabrication pour autant que l'appareil ait été installé, utilisé et entretenu correctement. Pour obtenir des pièces de rechange, veuillez communiquer par téléphone au numéro 1-800-345-DELTA (aux États-Unis ou au Canada) et par écrit à l'une des adresses suivantes :

Aux États-Unis
Delta Faucet Company
Product Service
55 E. 111th Street
Indianapolis, IN 46280

Au Canada
Masco Canada Limited, Plumbing Group
350 South Edgeware Road
St. Thomas, Ontario, Canada N5P 4L1

La présente garantie s'applique au remplacement de toutes les pièces défectueuses, y compris le fini, et elle ne couvre que ces éléments. LES FRAIS DE MAIN-D'OEUVRE ET (OU) LES DOMMAGES PROVOQUÉS AU COURS DE L'INSTALLATION, DE LA RÉPARATION OU DU REMPLACEMENT D'UN ÉLÉMENT AINSI QUE LES PERTES OU DOMMAGES

DE TOUTE AUTRE NATURE NE SONT PAS COUVERTS PAR LA GARANTIE. Toute réclamation en vertu de la présente garantie doit être adressée à Delta, accompagnée de la preuve d'achat (original de la facture) du premier acheteur. CETTE GARANTIE EST LA SEULE OFFERTE PAR DELTA FAUCET COMPANY OU DELTA FAUCET CANADA, SELON LE CAS. ELLE EXCLUT TOUTE AUTRE GARANTIE, Y COMPRIS LA GARANTIE IMPLÍCITE DE QUALITÉ MARCHANDE.

Les robinets installés dans un établissement industriel ou commercial ou dans une place d'affaires sont protégés par une garantie étendue de cinq ans qui prend effet à compter de la date d'achat. Toutes les autres conditions de la garantie de cinq ans sont identiques à celle de la présente garantie. La présente garantie s'applique à tous les robinets Delta® fabriqués après le 1er janvier 1995.

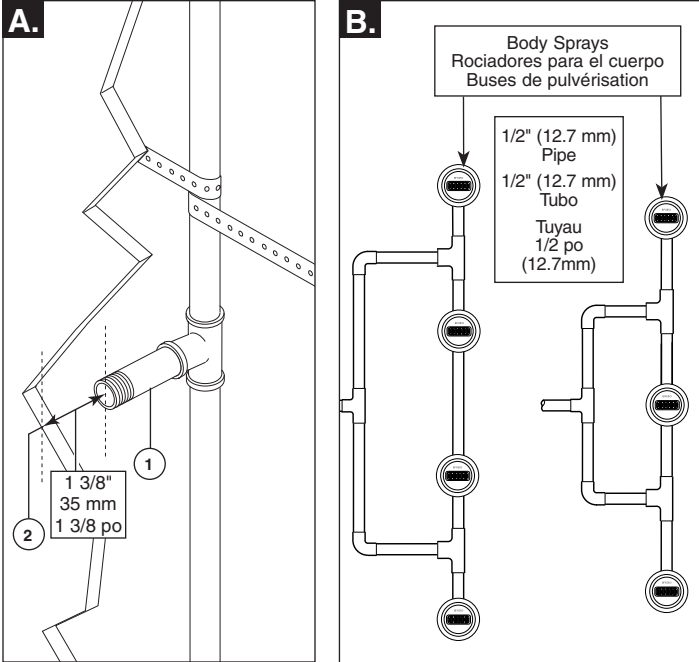
Dans les États ou les provinces où il est interdit d'exclure ou de limiter les responsabilités à l'égard des dommages indirects ou fortuits, les exclusions et les limites susmentionnées ne s'appliquent pas. Les dommages résultant d'une mauvaise utilisation, d'une utilisation abusive de la négligence ou de l'utilisation de pièces autres que des pièces d'origine Delta® RENDENT LA GARANTIE NULLE ET SANS EFFET.

La présente garantie vous donne des droits précis qui peuvent varier selon votre lieu de résidence. Elle ne s'applique qu'aux robinets Delta® installés aux États-Unis, au Canada et au Mexique.

© 2012 Division de Masco Indiana

54762

1



Rough In Dimensions

IMPORTANT: The body spray is designed to sit more flush to the wall than traditional body sprays; therefore, it is extremely important that the rough plumbing be positioned so there is enough room in the wall cavity to recess the body spray. As a guide, please see illustrations above.

- A.** The body spray installs onto a pipe nipple (1). The end of the pipe nipple should be recessed from the finished wall to a dimension of 1 3/8" (35 mm) (2). Rough plumbing should be strapped to the frame away from the body spray. Do not use a back-up stringer. Doing so will create a gap between the escutcheon and finished wall. Hole in finished wall must be 3" (76 mm) minimum diameter, 3 1/8" (79 mm) maximum diameter.
- B.** Recommended balance loops for body spray systems.

DIMENSIONES DE LA TUBERÍA PRELIMINAR

IMPORTANTE: El rociador de cuerpo está diseñado para instalarlo más al ras con la pared que los rociadores de cuerpo tradicionales; por lo tanto, es extremadamente importante que la tubería preliminar dentro de la pared esté colocada de manera que exista suficiente espacio en la cavidad de la pared para que el rociador quede metido. Como guía, por favor vea las ilustraciones arriba.

- A.** El rociador de cuerpo se instala en una entrerosca de la tubería (1). El extremo de la entrerosca debe quedar metido con una dimensión de 1 3/8" (35 mm) (2) desde la pared acabada. La plomería dentro de la pared debe sujetarse al armazón lejos del cuerpo del rociador. No use la viga de soporte. Esto creará un espacio entre la chapa y la pared acabada. Agujero en acabado la pared debe ser 3" (76 mm) diámetro mínimos, 3 1/8" diámetro máximo (79 mm).
- B.** Se recomiendan balancines para los sistemas de rociador de cuerpo.

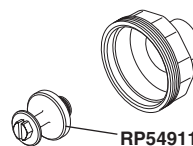
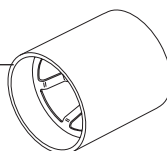
DIMENSIONS DE LA PLOMBERIE BRUTE

IMPORTANT - Ce jet de douche est conçu pour être installé davantage au ras de la paroi que les jets de douche classiques. Par conséquent, il est essentiel au moment de l'installation de la plomberie brute de prévoir l'espace nécessaire au montage en retrait du jet. Utilisez les figures ci-dessus pour vous guider.

- A.** Le jet de douche se monte sur un manchon fileté (1). L'extrémité du manchon fileté doit présenter un retrait de 1 3/8 po (35 mm) (2) par rapport à la paroi finie. La plomberie brute doit être retenue à l'ossature par un feuillard, à l'écart des gicleurs. N'installez pas une traverse. Autrement, il y aura un jeu entre la plaque de finition et la surface du mur fini. Le trou dans le mur terminé doit être le diamètre minimum de 3 po (76 mm), 3 1/8 po (79 mm) diamètres maximum.
- B.** Configuration recommandée pour la tuyauterie des jets de douche.

Replacement Parts Piezas de Repuesto Pièces de rechange

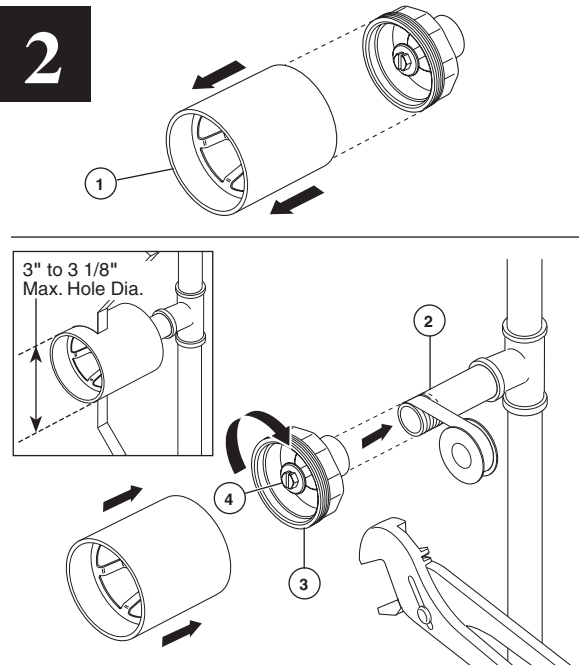
RP42206
Plasterguard
Enlucido
Cône de Protection



RP42171
Rough Body
Tuberías Internas
Plomberie Brute

RP54911
Test Plug
Casquillo de Prueba
Bouchon d'essai

2



Rough Body Installation

Shut off water supplies. Remove plasterguard (1). Apply plumber tape to the pipe nipple (2). With the pipe nipple in the proper location, install the rough body (3). Tighten securely, but do not overtighten. Make sure test plug (4) is tight; then, check the installation for leaks. Reinstall the plasterguard.

Instalación de las Tuberías dentro de la Pared

Cierre los suministros de agua. Quite el protector de yeso (1). Aplique cinta plomero en la entrerosca de la tubería (2). Con la entrerosca de la tubería en el sitio correcto, instale el cuerpo de la instalación dentro de la pared (3). Apriete fijamente, pero no demasiado. Asegúrese que la tapa de prueba (4) esté ajustada; luego, examine la instalación para ver si hay filtraciones. Reinstale el protector de yeso.

Installation du corps de robinet

Interrompez l'alimentation en eau. Enlevez le protecteur (1). Appliquez du ruban de plomberie sur le manchon fileté (2). Après avoir installé le manchon fileté au bon endroit, montez le corps de robinet (3). Serrez solidement, mais prenez garde de trop serrer. Assurez-vous que le bouchon d'essai (4) est bien serré. Vérifiez ensuite l'étanchéité de l'installation. Remettez le protecteur en place.



MultiChoice® Valve Trim Installation Instructions

Owners Manual

17 Series

68882

Write purchased model number here.

You May Need

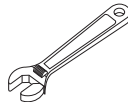
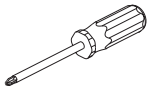


Table of Contents:

Warranties	Page 2
Installation Instructions	Pages 3 - 7
Clean and care.....	Page 8
Maintenance	Page 8
Cartridge Summary Reference Sheet	Page 8
Classic Series Replacement Parts	Page 10

For additional replacement parts, visit www.deltafaucet.com

THIS VALVE MEETS OR EXCEEDS THE FOLLOWING STANDARDS: ASME A112.18.1/ CSA B125.1 and ASSE 1016 (Type -P- or -T-).

CAUTION: This system/device must be set by the installer to ensure safe, maximum temperature. Any change in the setting may raise the discharge temperature above the limit considered safe and may lead to hot water burns.

NOTICE TO INSTALLER: CAUTION!—As the installer of this valve, it is your responsibility to properly **INSTALL and ADJUST** this valve per the instructions given. This valve does not automatically adjust for inlet temperature changes, therefore, someone must make the necessary Rotational Limit Stop adjustments at the time of installation and further adjustments may be necessary due to seasonal water temperature change. **YOU MUST** inform the owner/user of this requirement by following the instructions. If you or the owner/user are unsure how to properly make these adjustments please refer to page 7 and if still uncertain, call us at 1-800-345-DELTA.

After installation and adjustment, you must affix your name, company name and the date you

adjusted the Rotational Limit Stop to the caution label provided and apply or attach the label to the back side of the closest cabinet door and the warning label to the water heater. **Leave this Instruction Sheet for the owner's/user's reference.**

WARNING: This pressure balanced or thermostatic bath valve is designed to minimize the effects of outlet water temperature changes due to inlet pressure changes, commonly caused by dishwashers, washing machines, toilets and the like. It may not provide protection from hot water burns when there is a failure of other temperature controlling devices elsewhere in the plumbing system, if the rotational limit stop is not properly set or if the hot water temperature is changed after the settings are made or if the water inlet changes due to seasonal changes.

WARNING: Do not install a shut-off device on either outlet of this valve. When this type of device shuts off the water flow, it can defeat the ability of the valve to balance the hot and cold water pressures.

Lifetime Faucet and Finish Limited Warranty

Parts and Finish

All parts (other than electronic parts and batteries) and finishes of this Delta® faucet are warranted to the original consumer purchaser to be free from defects in material and workmanship for as long as the original consumer purchaser owns the home in which the faucet was first installed or, for commercial users, for 5 years from the date of purchase.

Electronic Parts and Batteries (if applicable)

Electronic parts (other than batteries), if any, of this Delta® faucet are warranted to the original consumer purchaser to be free from defects in material and workmanship for 5 years from the date of purchase or, for commercial users, for one year from the date of purchase. No warranty is provided on batteries.

Delta Faucet Company will replace, FREE OF CHARGE, during the applicable warranty period, any part or finish that proves defective in material and/or workmanship under normal installation, use and service. If repair or replacement is not practical, Delta Faucet Company may elect to refund the purchase price in exchange for the return of the product. **These are your exclusive remedies.**

Delta Faucet Company recommends using a professional plumber for all installation and repair. We also recommend that you use only genuine Delta® replacement parts.

Delta Faucet Company shall not be liable for any damage to the faucet resulting from misuse, abuse, neglect or improper or incorrectly performed installation, maintenance or repair, including failure to follow the applicable care and cleaning instructions.

Replacement parts may be obtained by calling the applicable number below or by writing to:

In the United States and Mexico:

Delta Faucet Company
Product Service
55 E. 111th Street
Indianapolis, IN 46280
1-800-345-DELTA (3358)
customerservice@deltafaucet.com

In Canada:

Masco Canada Limited, Plumbing Group
Technical Service Centre
350 South Edgeware Road
St. Thomas, Ontario, Canada N5P 4L1
1-800-345-DELTA (3358)
customerservice@mascocanada.com

Proof of purchase (original sales receipt) from the original purchaser must be made available to Delta Faucet Company for all warranty claims unless the purchaser has registered the product with Delta Faucet Company. This warranty applies only to Delta® faucets manufactured after January 1, 1995 and installed in the United States of America, Canada and Mexico.

DELTA FAUCET COMPANY SHALL NOT BE LIABLE FOR ANY SPECIAL, INCIDENTAL OR CONSEQUENTIAL DAMAGES (INCLUDING LABOR CHARGES) FOR BREACH OF ANY EXPRESS OR IMPLIED WARRANTY ON THE FAUCET. Some states/provinces do not allow the exclusion or limitation of special, incidental or consequential damages, so these limitations and exclusions may not apply to you. This warranty gives you special legal rights. You may also have other rights which vary from state/province to state/province.

This is Delta Faucet Company's exclusive written warranty and the warranty is not transferable.

If you have any questions or concerns regarding our warranty, please view our Warranty FAQs at www.deltafaucet.com, email us at customerservice@deltafaucet.com or call us at the applicable number above.

Delta HDF Limited Warranty

All parts of the Delta HDF faucet are warranted to the original consumer purchaser to be free from defects in material and workmanship for a period of five (5) years. This warranty is made to the original consumer purchaser and shall be effective from date of purchase as shown on purchaser's receipt.

Delta will replace, FREE OF CHARGE, during the warranty period, any part which proves defective in material and/or workmanship under normal installation, use and service. Replacement parts can be obtained from your local dealer or distributor listed in the telephone directory or by returning the part along with the purchaser's receipt to our factory, TRANSPORTATION CHARGES PREPAID, at the address listed. **THIS WARRANTY IS THE ONLY EXPRESS WARRANTY MADE BY DELTA. ANY CLAIMS MADE UNDER THIS WARRANTY MUST BE MADE DURING THE FIVE YEAR PERIOD REFERRED TO ABOVE. ANY IMPLIED WARRANTIES, INCLUDING THE IMPLIED WARRANTY OF MERCHANTABILITY OR FITNESS FOR A**

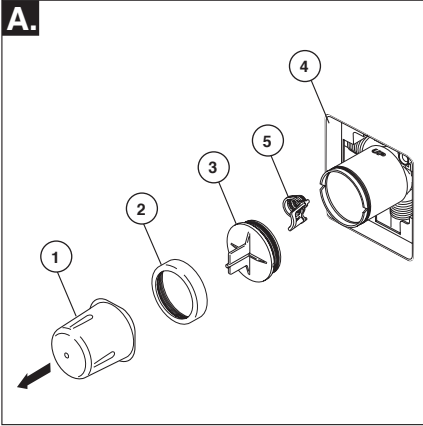
PARTICULAR PURPOSE, ARE LIMITED IN DURATION TO THE DURATION OF THIS WARRANTY. LABOR CHARGES AND/OR DAMAGE INCURRED IN INSTALLATION, REPAIR OR REPLACEMENT AS WELL AS INCIDENTAL AND CONSEQUENTIAL DAMAGES CONNECTED THEREWITH ARE EXCLUDED AND WILL NOT BE PAID BY DELTA.

Some states do not allow limitations on how long an implied warranty lasts, or the exclusion or limitation of incidental or consequential damages, so the above limitations or exclusions may not apply to you.

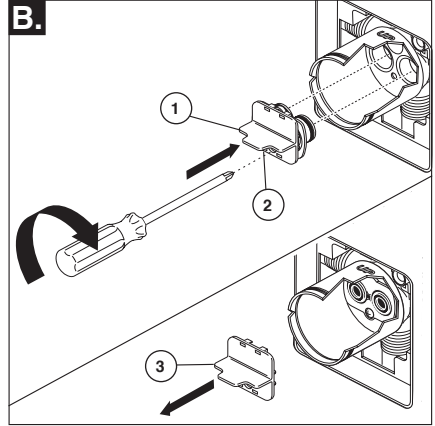
This warranty gives you specific legal rights, and you may also have other rights which vary from state to state.

This warranty is void for any damage to this faucet due to misuse, abuse, neglect, accident, improper installation, any use violative of instructions furnished by us or any use of replacement parts other than genuine Delta parts.

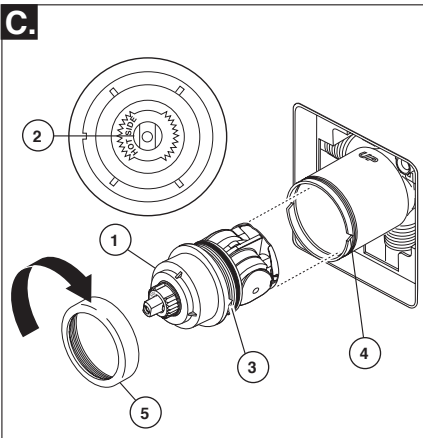
1 Cartridge Installation



Turn off water supplies. Remove cover (1), bonnet nut (2) and test cap (3) from the body. If this is not a thin wall mounting, the entire plasterguard (4) may be removed. If screen (5) is in place, remove before installing cartridge.

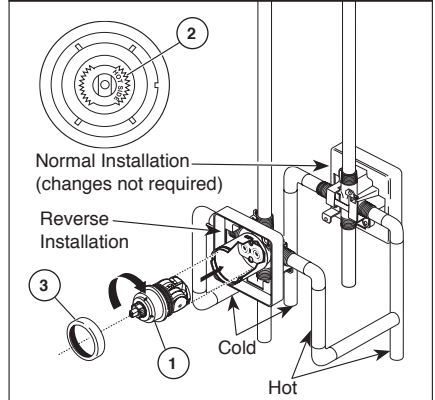


Insert adapter assembly (1) into valve body. Make sure the adapter assembly is correctly positioned and is pressed all the way down inside body. Secure adapter with the screw (2) provided in the adapter assembly. Remove the retainer (3) from the adapter.



Rotate cartridge (1) so the words "HOT SIDE" (2) appear on the left. Insert cartridge assembly into valve body. Make sure the key (3) on the cartridge is fully engaged with the slot in the brass body (4). Slide bonnet nut (5) over the cartridge and thread onto the body. Hand tighten securely.

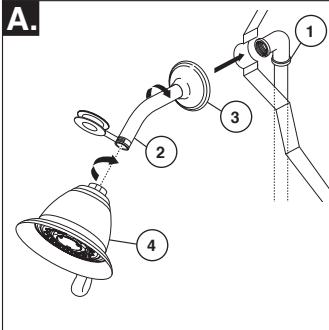
Back to back Installation



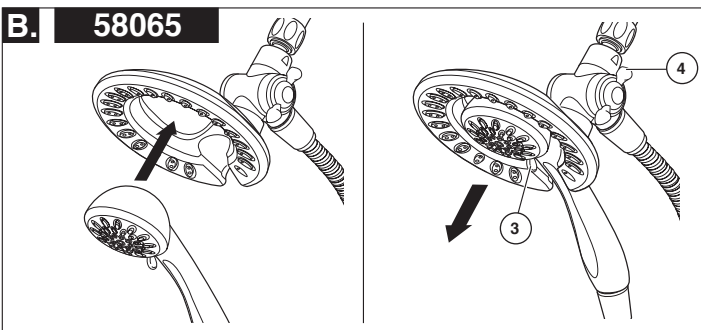
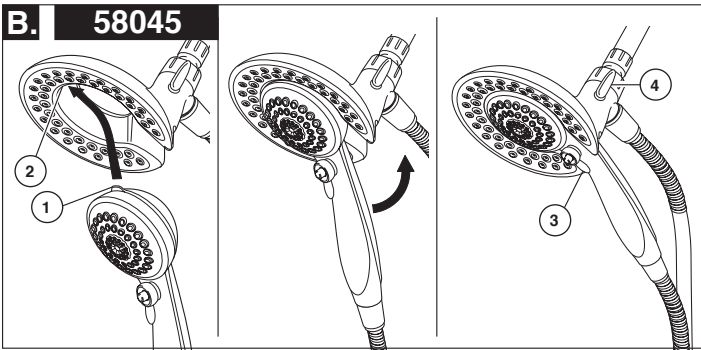
For back to back or reverse installations (hot on right and cold on left): Rotate cartridge (1) so the words "HOT SIDE" (2) appear on the right. Install the cartridge making sure that the key is fully engaged with the slot in the brass body (See step C). Slide bonnet nut (3) over the cartridge and thread onto the body. Hand tighten securely.

Installation

2 Showerhead and Tub Spout Installation



FOR SHOWERHEAD INSTALLATION: Connect top outlet (1) to shower arm (2) with proper fittings. To prevent damage to finish on shower arm, insert wall end of shower arm into shower flange (3) before screwing arm into riser connection. Thread showerhead (4) onto shower arm. Apply plumber tape to pipe threads on both ends. Do not overtighten showerhead.



B. 58045: To combine the two showers, insert the top tab (1) on the handshower into the slot (2) of the showerhead. Push the handshower into the showerhead until the two parts snap together.

58065: To combine the two showers, push the handshower into the showerhead, then pull down on the handshower until locked with the showerhead.

If the showerhead moves when removing the handshower, hand tighten the connection between the showerhead and the shower arm.

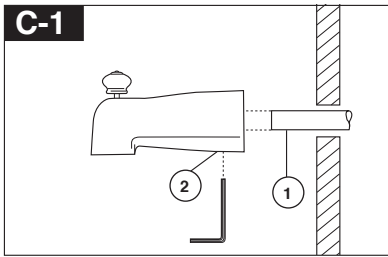
To change spray modes, turn the lever (3) left or right to the desired setting. Turn knob (4) to change between showerhead only, showerhead and handshower or handshower only.

2

Showerhead and Tub Spout Installation

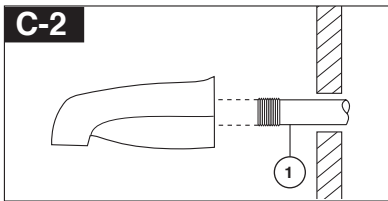
FOR TUB SPOUT INSTALLATION:

Refer to the installation instructions supplied with your spout. Do not connect deck mount spouts to in-wall valves. Do not use hand showers connected in lieu of a tub spout to a tub/shower valve. Do not use PEX tubing for tub spout drop.



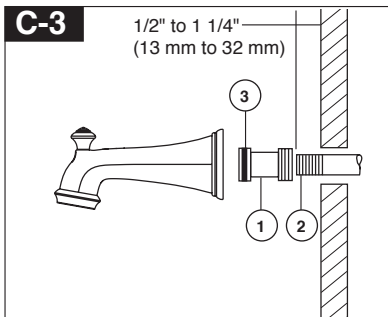
Slip-On Installation

The copper tube (1) must be 1/2" nominal copper. Important: If it is necessary to cut the copper tube, the end must be chamfered free of burrs to prevent cutting or nicking O-ring inside the spout. Slide spout over copper tube flush with the finished tub or wall surface. Tighten set screw (2), but do not overtighten.



Iron Pipe Installation

Install threaded pipe nipple (1) to extend past finished wall. Apply plumber tape to threads on pipe nipple and screw on tub spout.



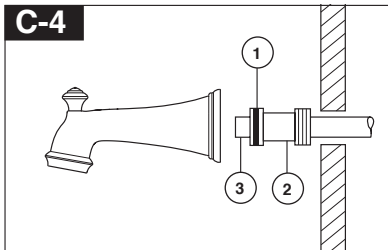
Iron Pipe Installation

Installation of easy-on universal tub spout

Install pipe nipple so that end of nipple projects out from finished wall surface 1/2" to 1 1/4" (13 mm to 32 mm).

Apply plumber tape or pipe dope to pipe threads. Hand tighten adapter (1) onto pipe nipple (2). Finish tightening with standard pipe wrench until a positive seal is implemented. Take care not to damage O-Ring (3) groove. Back of adapter (1) must not project more than 1" (25 mm) from finished wall surface.

Hand tighten tub spout onto adapter (1) taking care not to damage the O-Ring (3).



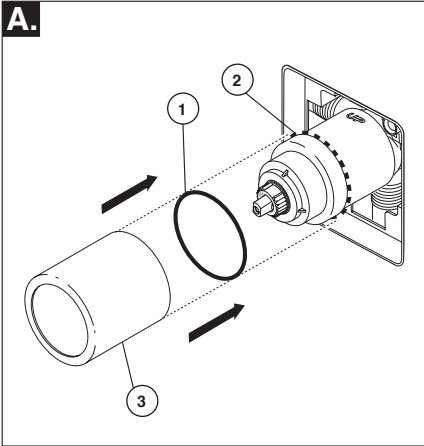
Copper Sweat Installation

Remove O-ring (1) from adapter (2). Solder adapter to tube taking care to keep solder away from O-ring groove. CAUTION: NO SOLDER PERMITTED ON OUTSIDE DIAMETER OF ADAPTER ADJACENT TO O-RING GROOVE.

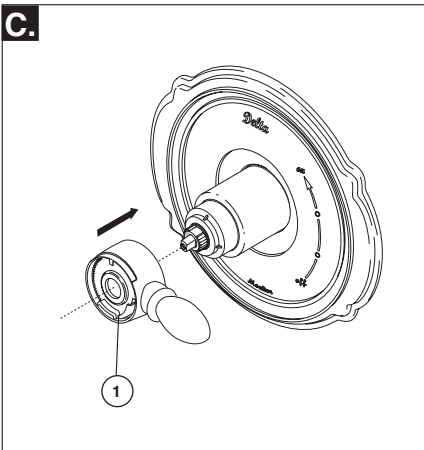
Cut off tube (3) and replace O-ring on groove of brass adapter. Thread tub/spout onto adapter, taking care not to damage O-ring, and hand tighten until spout is firmly against finished wall and all slack is taken up behind wall.

Installation

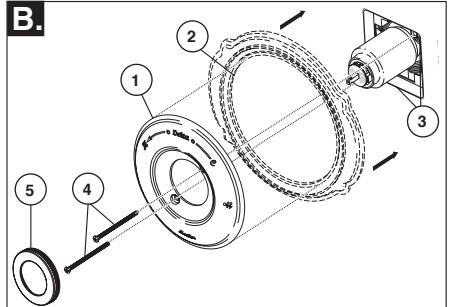
3 Trim Installation



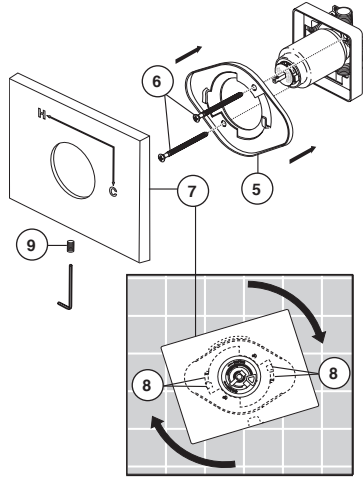
Slide O-ring (1) over cartridge and the bonnet nut (2). The O-ring, which acts as a spacer to steady the sleeve, should rest behind the bonnet nut. Slide the sleeve (3) over the cartridge, body and O-ring. Ensure sleeve is properly positioned over the front of cartridge.



Install volume control handle (1) with lever to the right, then turn to the on position. **DO NOT SECURE WITH SCREW.**



Escutcheon Installation for Models T17053, T17253, T17453, T17067, T17267 & T17467.

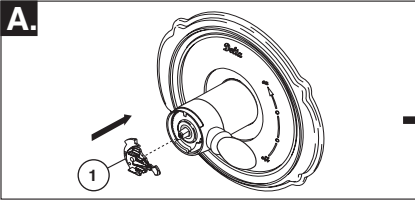


Secure the escutcheon (1) and backplate (2) (if your model has one) to the bracket (3) using the 2 screws provided (4). Do not overtighten escutcheon screws. **If you are installing the Cassidy models T17097, T17297 & T17497:** Thread the cover (5) onto the escutcheon (1).

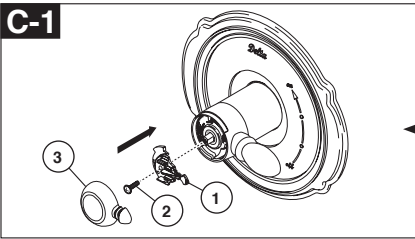
For models T17053, T17253, T17453, T17067, T17267 & T17467:

Install bracket (5) over the cartridge body using the 2 screws provided (6). Install escutcheon (7) by placing it over the bracket as shown and rotating it to lock the tabs (8). Secure the escutcheon to the bracket using set screw (9).

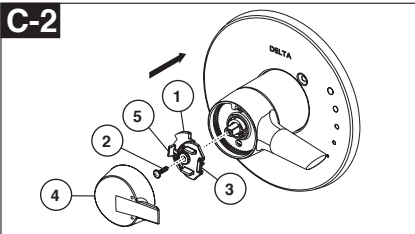
4 Installation and Adjustment of the Rotational Limit Stop



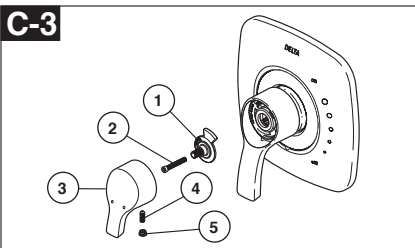
Place the temperature control knob (1) on volume handle and rotate to the mixed position (if required). **DO NOT SECURE WITH SCREW.** Turn on water supplies; let the water run until both hot and cold water is as hot/cold as possible. Place thermometer in a plastic tumbler, and hold the tumbler in the water stream. Record the temperature reading.



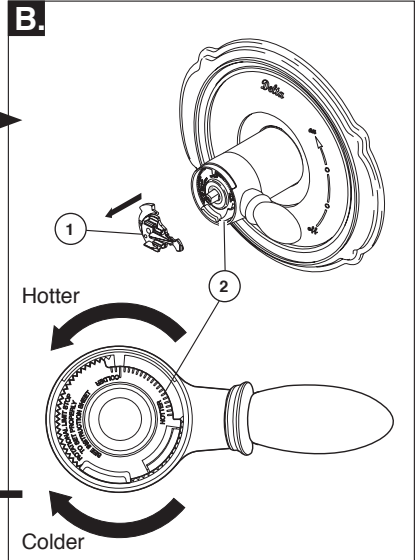
Secure temperature control knob (1) with screw (2). Snap on temperature control cover (3) with side snaps onto knob (1).



Secure temperature control knob (1) with screw (2). Hook (3) front of temperature control cover (4) onto knob (1) before engaging rear snap (5).



Secure temperature control knob (1) with screw (2). Install temperature control cover (3) and secure with set screw (4). Install button cover (5).



If the water temperature is above 120°F, remove the temperature control knob (1) and rotate the limit stop (2) clockwise one tooth for every 4°F - 6°F (approximate) change in temperature. If water temperature is cooler than desired, rotate the limit stop counterclockwise.

IMPORTANT: The first position of the Rotational Limit Stop (the Limiter) is that position that restricts the rotation of the stem the most and is at the maximum clockwise setting. According to industry standards, the maximum allowable temperature of the water exiting from the valve is 120°F. This temperature may vary in your local area. The Rotational Limit Stop may need to be readjusted if the inlet water temperature changes. For instance, during the winter, the cold water temperature is colder than it is during the summer which could result in varying outlet temperatures. Typical temperature for a comfortable bath or shower is between 90°–110° F.

5

Potential scald or thermal shock injury could result due to cross flow if outlet at the shower is blocked or restricted (e.g., pause control on showerhead). Be sure to point showerhead away from you when re-starting flow or install inlet check valves on both supply lines to prevent possible injury.

Clean and Care

Care should be given to the cleaning of this product. Although its finish is extremely durable, it can be damaged by harsh abrasives or polish. To clean, simply wipe gently with a damp cloth and blot dry with a soft towel.

Warning: *Scrubbing Bubbles® Bathroom Cleaner and Lysol® Basin Tub and Tile Cleaner* must not be used on the clear knob handles and levers. Use of these cleaners can result in cracked or severely damaged handles. If overspray gets onto the handles, immediately wipe them dry with a soft cotton cloth.

Maintenance

Faucet leaks from tub spout/showerhead: SHUT OFF WATER SUPPLIES.

Replace valve cartridge
RP46463 or RP32104

See Helpful Hints 1, 2, 3 & 4.

Helpful Hints:

1. Before removing valve cartridge assembly for any maintenance, be sure to note the position of the rotational limit stop on the cap. The valve cartridge assembly must always be put back in the same position. **BE SAFE!** After you have finished the installation, turn on valve to make sure **COLD WATER FLOWS FIRST.**

2. To remove valve cartridge from body, shut off water supplies and remove handle and bonnet nut. Do not pry the valve cartridge out of the body with a screwdriver. Place handle on stem and rotate counterclockwise approximately 1/4 turn after the stop has been contacted. Lift valve cartridge out of body.

Remove seats and springs and replace.

Place the largest diameter of the spring into the seat pocket first and then press the tapered end of the seal over the spring. Reassemble valve cartridge and replace in body following instructions given in 1 above.

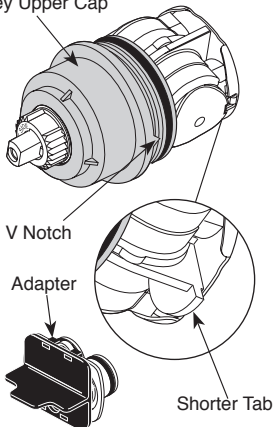
3. If the water in your area has lime, rust, sand or other contaminants in it, your pressure balance valve will require periodic inspection. The frequency of the inspection will depend on the amount of contaminants in the water. To inspect valve cartridge remove it and follow the steps in note 1 above. Turn the valve to the full mix position and shake the cartridge vigorously. If there is a rattling sound, the unit is functional and can be reinstalled following instructions given in note 1 above. If there is no rattle, replace the housing assembly with the proper RP.

Cartridge Summary Reference Sheet

Units shipped in March 2006 and after.

17

Grey Upper Cap

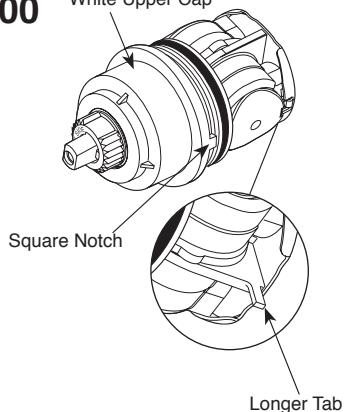


Order RP46463 to
Replace Cartridge.

Units shipped before March 2006.

1700

White Upper Cap



Order RP32104 to
Replace Cartridge.

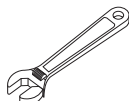
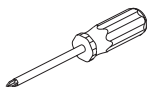


Instrucciones para la Instalación del Accesorio para Válvulas MultiChoice® Manual para los Propietarios

17 Series

Escriba aquí el número del modelo comprado.

Usted puede necesitar



Contenido:

Garantías	Page 2
Instrucciones de Instalación	Pages 3 - 7
Limpieza y Cuidado de su Llave	Page 8
Mantenimiento	Page 8
Hoja resumen de referencia para el cartucho	Page 8
Piezas de Repuesto de la Serie Clásica	Page 10

Para las piezas de repuesto adicionales, visite www.deltafaucet.com

ESTA VÁLVULA CUMPLE O EXCEDE LAS SIGUIENTES NORMAS: ASME A112.18 1 / CSA B125.1 y ASSE 1016 (Type -P- or -T-).

ADVERTENCIA: El instalador debe apostar este sistema/divisa para garantizar temperatura máximo y seguro. Cualqueir cambio en el ajuste puede subir la temperatura del agua de descarga sobre el límite considerado seguro y puede resultar en quemaduras de agua caliente.

AVISO PARA EL INSTALADOR: PRECAUCIÓN – Como instalador de esta válvula, es su responsabilidad de **INSTALAR Y AJUSTAR** apropiadamente esta válvula como se describe en las instrucciones, por lo tanto, debe haber una persona para hacer los ajustes necesarios del Tope del Límite Rotacional y del pomo para la temperatura en el momento que se haga la instalación y pueda necesitar ajustes adicionales por los cambios estacionales de la temperatura del agua. **USTED DEBE** informarle al dueño/usuario sobre este requisito siguiendo las instrucciones. Si usted o el dueño/usuario no están seguros como hacer estos ajustes apropiadamente, por favor refiérase al **Página 7** y si todavía no está seguro, llámenos al **1-800-345-DELTA**.

Después de hacer la instalación y el ajuste, usted puede agregarle a la etiqueta de aviso proporcionada, su nombre, el nombre de la compañía y la fecha cuando ajustó el Tope del

compañía y la fecha cuando ajustó el Tope del Límite Rotacional y aplicar o fijar la etiqueta al dorso de la puerta del gabinete más cercano y la etiqueta de aviso al calentador de agua. Deje la Hoja de Instrucciones para referencia del dueño/usuario.

ADVERTENCIA: Esta válvula de presión balanceada y termostática está diseñada para minimizar los efectos de los cambios de temperatura de agua por causa de los cambios de presión en el agua de entrada, comúnmente causados por lavadoras de platos, lavadoras de ropa, inodoros, y otros aparatos por el estilo. Puede no proporcionar protección de quemaduras de agua caliente cuando hay alguna falla de otros aparatos para el control de temperatura en otro sitio en el sistema de plomería. También no proporcionará protección si el tope del límite rotacional la temperatura no está apropiadamente fijo o si cambia la temperatura del agua caliente después de hacer los ajustes o si los cambios del gua de entrada son por los cambios estacionales.

ADVERTENCIA: No instale un aparato de corte o cierre en cualquiera de las tomas de esta válvula. Cuando este tipo de aparato cierra el flujo de agua, puede hacer fallar la habilidad de la válvula de balancear las presiones del agua caliente y fría.

Garantía Limitada De Por Vida de la Llave y su Acabado

Piezas y acabado

Todas las piezas (excepto las piezas electrónicas y las pilas) y los acabados de esta llave de agua Delta® están garantizados al consumidor comprador original de estar libres de defectos en material y fabricación durante el tiempo que el comprador original posea la vivienda en la que la llave de agua fue originalmente instalada o, para los consumidores comerciales, durante 5 años a partir de la fecha de compra.

Componentes electrónicos y pilas (si aplicable)

Todas las piezas (salvo las pilas), si hay, de esta llave de agua Delta® están garantizadas al consumidor comprador original de estar libres de defectos en materiales y fabricación durante 5 años a partir de la fecha de compra o, para los usuarios comerciales, por un año a partir de la fecha de compra. No se garantizan las pilas.

Delta Faucet Company reemplazará, SIN CARGO, durante el período de garantía aplicable, cualquier pieza o acabado que pruebe tener defectos de material y/o fabricación bajo la instalación, uso y servicio normal. Si la reparación o su reemplazo no es práctico, Delta Faucet Company tiene la opción de reembolsarle su dinero por la cantidad del precio de compra a cambio de la devolución del producto. **Estos son sus únicos recursos.**

Delta Faucet Company recomienda que use los servicios de un plomero profesional para todas las instalaciones y reparaciones. También le recomendamos que utilice sólo las piezas de repuesto originales de Delta®.

Delta Faucet Company no será responsable por cualquier daño a la llave de agua que resulte del mal uso, abuso, negligencia o mala instalación o mantenimiento o reparación incorrecta, incluyendo el no seguir los cuidados aplicables y las instrucciones de limpieza.

Las piezas de repuesto se pueden obtener llamando al número correspondiente más abajo, o escribiendo a:

En los Estados Unidos y México:

Delta Faucet Company
Product Service
55 E. 111th Street
Indianapolis, IN 46280
1 800 345 DELTA (3358)
customerservice@deltafaucet.com

En Canadá:

Masco Canada Limited, Plumbing Group
Technical Service Centre
350 South Edgeware Road
St. Thomas, Ontario, Canada N5P 4L1
1 800 345 DELTA (3358)
customerservice@mascoacanada.com

La prueba de compra (recibo original) del comprador original debe ser disponible a Delta Faucet Company para todos los reclamos a menos que el comprador haya registrado el producto con Delta Faucet Company. Esta garantía le aplica sólo a las llaves de agua de Delta® fabricadas después del 1 de enero 1995 e instaladas en los Estados Unidos de América, Canadá y México.

DELTA FAUCET COMPANY NO SE HACE RESPONSABLE POR CUALQUIER DAÑO ESPECIAL, INCIDENTAL O CONSECUENTE (INCLUYENDO LOS GASTOS DE MANO DE OBRA) POR EL INCUMPLIMIENTO DE CUALQUIER GARANTÍA EXPRESA O IMPLÍCITA DE LA LLAVE DE AGUA. Algunos estados/provincias no permiten la exclusión o limitación de daños especiales, incidentales o consecuentes, por lo que estas limitaciones y exclusiones pueden no aplicarle a usted. Esta garantía le otorga derechos legales. Usted también puede tener otros derechos que varían de estado/provincia a estado/provincia.

Esta es la garantía exclusiva por escrito de Delta Faucet Company y la garantía no es transferible.

Si usted tiene alguna pregunta o inquietud acerca de nuestra garantía, por favor, vea nuestra sección de preguntas frecuentes FAQ sobre la garantía en www.deltafaucet.com, también puede enviarnos un correo electrónico a customerservice@deltafaucet.com o llámenos al número que le corresponda anteriormente incluido.

Garantía Limitada de Delta HDF

Todas las piezas de la llave Delta HDF están garantizadas al dueño original de estar libres de defectos en materiales y/o en la mano de obra por un período de cinco (5) años. Esta garantía se hace al dueño original y será efectiva el día de la compra como se ve en el recibo de compra.

Delta reemplazará, LIBRE DE CARGO, durante el período de la garantía, cualquier pieza que resulte defectuosa en materiales y/o en la mano de obra bajo instalación, uso y servicio normal. Las piezas de repuesto pueden ser obtenidas de su comerciante o distribuidor local que se encuentran en la guía telefónica o si usted devuelve la pieza con el recibo de compra a nuestra fabrica, Y LOS CARGOS DE TRANSPORTE PAGADOS CON ANTELACION, a la dirección dada. ESTA GARANTIA ES LA UNICA GARANTIA EXPRESA DE DELTA. CUALQUIER RECLAMO HECHO BAJO ESTA GARANTIA TIENE QUE SER HECHO DURANTE EL PERIODO DE CINCO AÑOS A QUE SE REFIERE ARRIBA. CUALQUIER GARANTIA IMPLICITA, INCLUYENDO LA GARANTIA IMPLICITA DE COMERCIALIZACION O CONVENIENCIA PARA UN PROPOSITO PARTICULAR, SON LIMITADOS EN

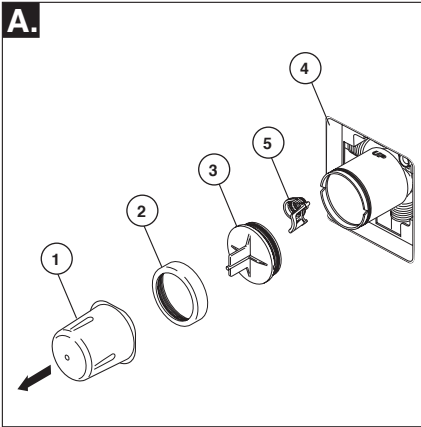
DURACION A LA DURACION DE ESTA GARANTIA. LOS CARGOS PARA LA MANO DE OBRA Y/O DAÑOS INCURRIDOS EN LA INSTALACION, REPARACION O REEMPLAZO, ASI COMO LOS DAÑOS INCIDENTALES O CONSECUENTES CONECTADOS CON ELLOS SON EXCLUIDOS Y NO SERAN PAGADOS POR DELTA.

Algunos estados no permiten limitaciones al tiempo que dura la garantía implícita, o la exclusión o limitación de los daños incidentales o consecuentes, así que la limitación o exclusión expresada arriba puede no ser aplicable a usted.

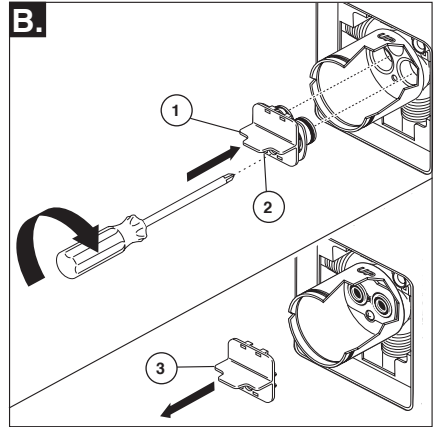
Esta garantía le da a usted derechos legales específicos y usted puede también tener otros derechos que varían de estado a estado.

Esta garantía es nula por cualquier daño a esta llave que sea el resultado del mal uso, abuso, negligencia, accidente, instalación impropia, cualquier uso en violación de las instrucciones suministradas por nosotros o cualquier uso de piezas de repuesto que no sean piezas genuinas Delta.

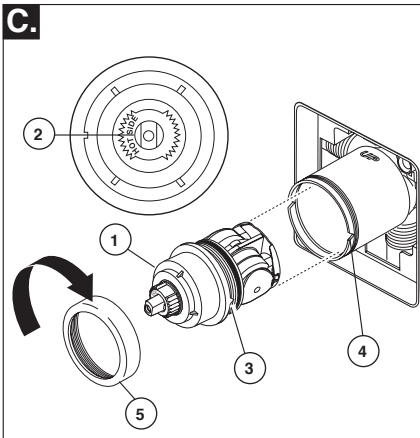
1 Instalación del Cartucho



Cierre los suministros de agua. Quite la cubierta (1), la tuerca tapa (2) y la tapa de prueba (3). Si no es para instalar en pared delgada, puede quitar el protector (4) de yeso completo. Si la pantalla (5) está en lugar, quite antes de instalar el cartucho.

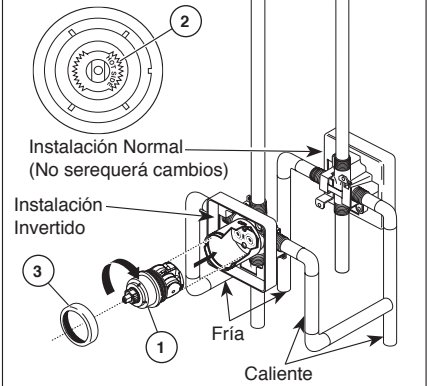


Introduzca el adaptador (1) en la válvula. Asegúrese que el adaptador estén correctamente colocados dentro de los orificios en la base de la válvula. Fije el adaptador con el tornillo (2) suministrado con el adaptador. Quite el retenedor (3) del adaptador.



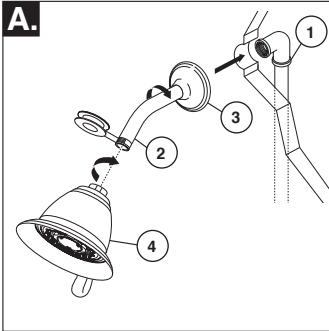
Gire el cartucho (1) de manera que las palabras 'HOT SIDE' (LADO CALIENTE) (2) aparezcan en la izquierda. Introduzca el cartucho en la válvula. Asegúrese que la guía (3) en el cartucho esté totalmente encajada en la muesca del cuerpo de latón (4). Deslice la tuerca tapa (5) sobre el cartucho y enrosque en el cuerpo de la válvula. Apriete a mano bien.

Instalación de Espalda a Espalda

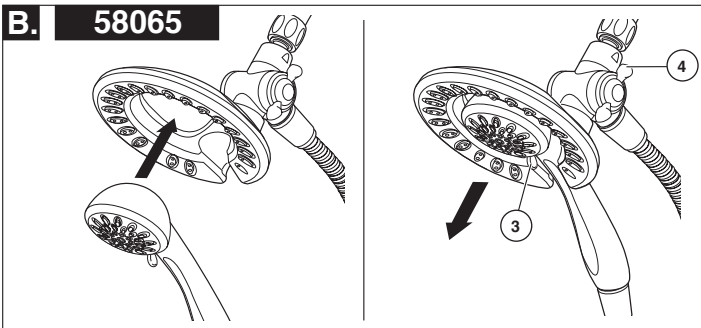
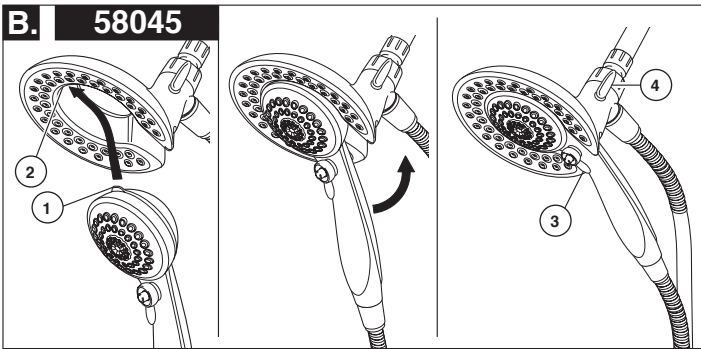


En las instalaciones dorso con dorso (el agua caliente en la derecha y la fría en la izquierda): Gire el cartucho (1) de manera que las palabras "HOT SIDE" (LADO CALIENTE) (2) aparezcan en la derecha. Instale el cartucho asegurando que la guía quede totalmente encajada en la muesca de la pieza de latón. Deslice la tuerca tapa (3) sobre el cartucho y enrosque en el cuerpo de la válvula. Apriete a mano bien.

2 Instalación de la Cabeza de la Regadera y el Surtidor de la Bañera



PARA LAS INSTALACIONES DE LAS CABEZAS DE REGADERA: Conecte la toma de salida de agua superior (1) al brazo de la regadera (2) con los accesorios apropiados. Para prevenir daño al acabado del brazo de la regadera, introduzca el extremo que va hacia la pared del brazo de la regadera dentro del reborde (3) antes de atornillar el brazo en la conexión de la tubería vertical. Aplique cinta para plomero a los enrosques de la tubería. No apriete demasiado la cabeza de la regadera.



B. 58045: Para combinar las dos regaderas, inserte la lengüeta superior (1) en la regadera de mano en la muesca (2) de la cabeza de la regadera. Oprima la regadera de mano en la cabeza de la regadera hasta que las dos partes encajen y queden juntas.

58065: Para combinar las dos regaderas, oprima la regadera de mano en la cabeza de la regadera hasta que las dos partes encajen y queden juntas. A continuación, tire hacia abajo la regadera de mano hasta que quede fija con la cabeza de la regadera.

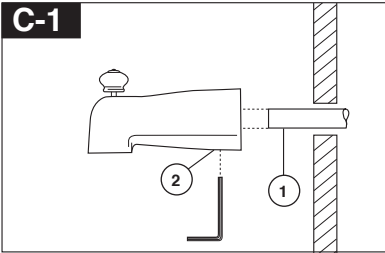
Si la cabeza de la regadera se mueve cuando retira la regadera manual, apriete a mano la conexión entre la cabeza de la regadera y el brazo de la regadera.

Para cambiar los modos de rocío de la regadera, mueva la palanca (3) de izquierda a derecha al ajuste deseado. Gire la perilla (4) (para cambiar el flujo de agua para que salga sólo por la cabeza de la regadera, o por la cabeza de la regadera y regadera manual o sólo por la regadera manual.

2

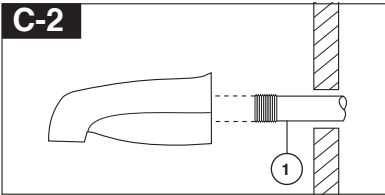
Instalación de la Cabeza de la Regadera y el Surtidor de la Bañera

PARA LA INSTALACIÓN DEL SURTIDOR DE LA BACERA: Refiérase a las instrucciones para la instalación suministradas con su surtidor. No conecte los surtidores para las instalaciones en las superficies horizontales en las válvulas dentro de las paredes. No use las regaderas de mano en vez de un surtidor de bañera conectado a una válvula de bañera/regadera. No use la tubería PEX como tubería entre la válvula y el surtidor de la bañera.



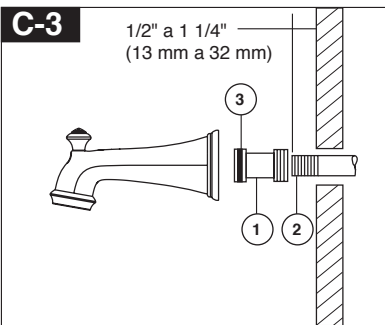
Instalación deslizable

El tubo de cobre (1) debe ser de 1/2" de cobre nominal. Importante: Si es necesario cortar el tubo de cobre, el extremo debe biselarse que quede libre de rebabas para prevenir cortar o mellar el aro O dentro del tubo de cobre. Deslice el surtidor sobre el tubo de cobre al ras con la bañera o la superficie de la pared acabada. Apriete el tornillo de ajuste (2), pero no apriete demasiado.



Instalación de la tubería de Hierro

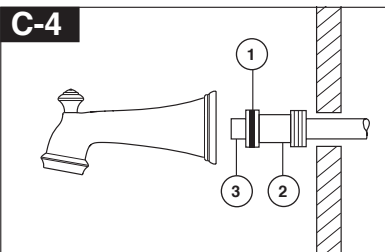
Instale una enterrosca de tubo enroscado de 1/2" (13 mm) (1) para extenderse por delante de la pared acabada. Aplique cinta para plomero a las roscas en la enterrosca de tubo y atornille el surtidor de la bañera.



Instalación del tubo de hierro

Instalación del tubo de salida de agua del easy-on universal para bañeras

Instale la enterrosca del tubo de manera que el extremo de ésta sobresalga de la pared acabada 1/2" a 1 1/4" (13 mm a 32 mm). Aplique cinta para plomero o compuesto para tubos a las roscas del tubo. Apriete a mano el adaptador (1) a la enterrosca del tubo (2). Termine apretando con una llave de tubos estándar hasta que el sello positivo se implemente. Tenga cuidado de no dañar la muesca del anillo-O (3). La parte posterior del adaptador (1) no debe sobresalirse más de 1" (25 mm) de la superficie de la pared acabada. Apriete a mano el tubo de salida de agua de la bañera al adaptador (1) teniendo cuidado de no dañar el anillo - O (3).

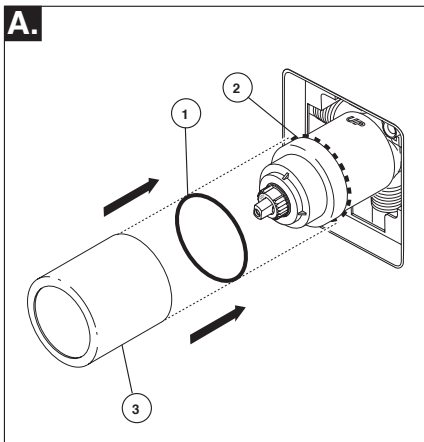


Instalación de Soldadura de Cobre

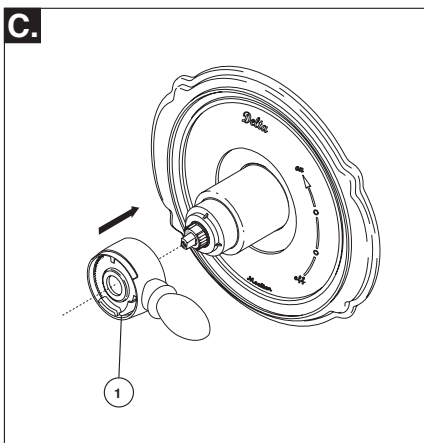
Quite el aro O (1) del adaptador (2). Suelde el adaptador al tubo asegurando de mantener la soldadura lejos de las muescas del aro O. AVISO: NO SE PERMITE SOLDAR EN EL DIAMETRO EXTERIOR DEL ADAPTADOR ADJUNTO A LA MUESCA DEL ARO O. Corte el tubo (3) y coloque otra vez el aro O en la muesca del adaptador de latón. Atornille la bañera/surtidor al adaptador, asegurando no dañar el aro O, y apriete a mano bien hasta que el surtidor quede firmemente contra la pared acabada y no quede flojo detrás de la pared.

Instalación

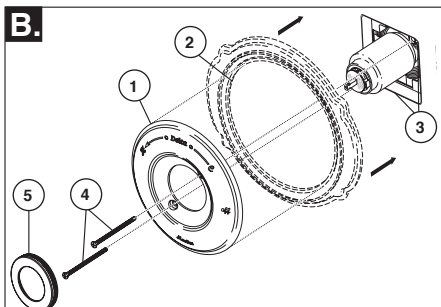
3 Instalación Final



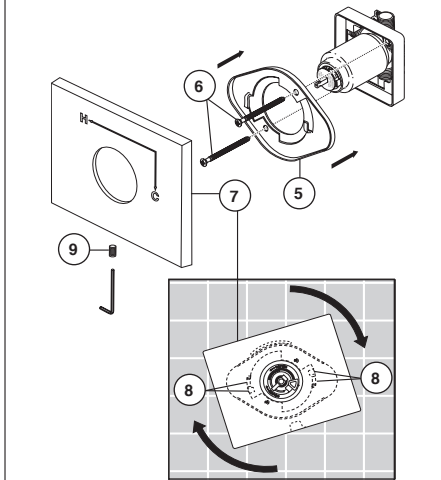
Deslice el aro O (1) sobre el cartucho y la tuerca tapa (2). El aro O, el cual funciona como un separador para estabilizar la manga, debe quedar apoyado en la tuerca tapa. Deslice la manga (3) sobre el cartucho, el cuerpo de la pieza y el aro O.



Instale la manija de control del volumen (1) con la palanca hacia la derecha, luego gírela a la posición abierta. **NO FIJE CON TORNILLO.**



La instalación de la roseta para los modelos T17053, T17253, T17453, T17067, T17267 y T17467.



Fije la roseta con orificio (1) y la placa de atrás (2) (si su modelo tiene una) al soporte (3) usando los 2 tornillos suministrados (4). No apriete demasiado los tornillos de la roseta.

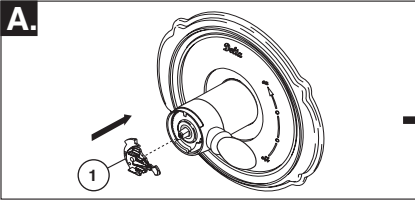
Si está instalando the Cassidy Modelos T17097, T17297 y T17497:

Gira la tapa(5) en la cubierta de orificio(1).

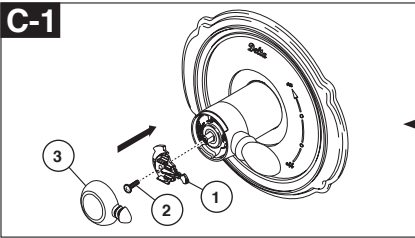
Para los modelos T17053, T17253, T17453, T17067, T17267 y T17467:

Instale el soporte (5) sobre el cuerpo del cartucho usando los 2 tornillos incluidos (6). Instale la chapa de base (7) colocándola sobre el soporte como se muestra y girándola para que encaje en las muescas (8). Fije la chapa de base al soporte usando el tornillo de ajuste (9).

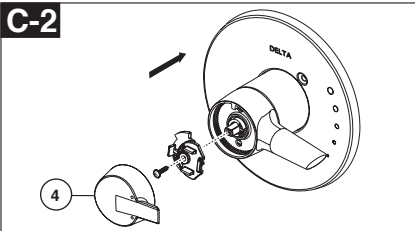
4 Instalación y Ajuste del Tope que Limita la Rotación



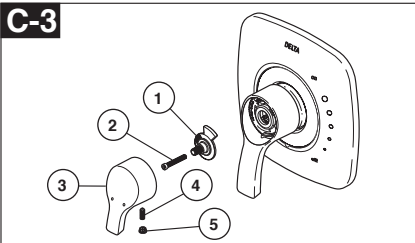
Instalación y Ajuste del Tope que Limita la Rotación Coloque la perilla para el control de la temperatura (1) en la manija para controlar el volumen y gire a la posición mixta (si se requiere). **NO FIJE CON TORNILLO.** Abra los suministros de agua; deje que el agua corra hasta que ambas, el agua caliente y la fría, estén lo más caliente/fría posible. Coloque el termómetro en un vaso plástico, y sostenga el vaso debajo del chorro de agua. Tome nota de la temperatura.



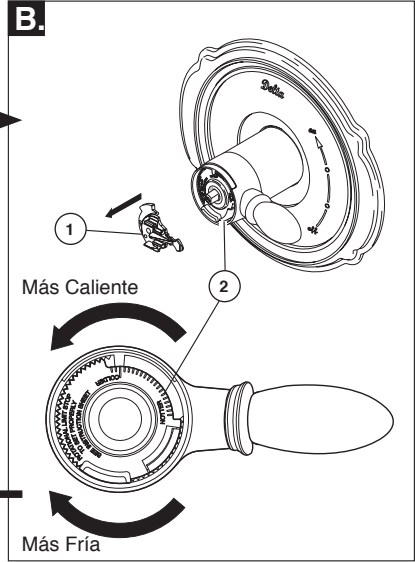
Fije la perilla para el control de la temperatura (1) con un tornillo (2) coloque la perilla para el control de cubierta (3) encima de perilla (1).



Fije la perilla para el control de la temperatura (1) con un tornillo (2). Gancho (3) delantero coloque la perilla para el control de couverture (4) encima de perilla (1) antes de la participación parte trasera instantánea (5).



Fije la perilla para el control de la temperatura (1) con un tornillo (2). Instale la cubierta del control de temperatura (3) y fije con un tornillo de ajuste (4). Instale la cubierta del botón (5).



Si la temperatura del agua es más de 120°F, quite la perilla para el control de la temperatura (1) y gire el tope (2) en sentido de las manecillas del reloj un diente por cada 4°F-6°F (aproximadamente) de cambio de temperatura. Si la temperatura del agua es más fría de lo deseado, gire el tope en sentido contrario de las manecillas del reloj.

IMPORTANTE: La primera posición del tope que limita la rotación (el pare) es aquella que limita más la rotación de la espiga y es la que está en la colocación máxima en sentido contrario a las manecillas del reloj. De acuerdo a los estándares de la industria, la temperatura máxima permitida del agua que sale de la válvula es 120° F. Esta temperatura puede variar en su área. Si el agua de entrada cambia de temperatura, se puede requerir el reajuste del tope que limita la rotación. Por ejemplo, durante el invierno, la temperatura del agua fría es más fría que durante el verano, esto puede resultar en temperaturas variadas de agua de entrada. La temperatura típica para un baño o ducha agradable es entre 90°-110° F.

5

Si la ducha está bloqueado o restringido, puede resultar posiblemente quemadura o lesión por ejemplo, cesa a contral la ducha Asegúrese salir ducha cuando encender otra vez el flujo o instalar válvulas para evitar lesión posible.

Limpeza y Cuidado de su Llave

Tenga cuidado al ir a limpiar este producto. Aunque su acabado es sumamente durable, puede ser afectado por agentes de limpieza o para pulir abrasivos. Para limpiar su llave, simplemente frótelas con un trapo húmedo y luego séquela con una toalla suave.

¡ADVERTENCIA! No se puede usar SCRUBBING BUBBLES® BATHROOM CLEANER o LYSOL® BASIN TUB AND TILE CLEANER en las manijas transparentes. El uso de estos productos pueden resultar en manijas rajados o severamente dañados. Si estos productos caen sobre la manija, séquelo inmediatamente con una toalla de algodón suave.

Mantenimiento

La llave tiene fugas de agua en la salida de tina/cabeza deregadera— CIERRE LOS SUMINISTROS DE AGUA.

Reemplace cartucho de la válvula RP46463 o RP32104

Vea Sugerencia Útiles 1, 2, 3, y 4.

Sugerencia Útiles:

1. Antes de remover el ensamble del cartucho de la válvula para hacerle cualquier servicio, fíjese en la posición del tope del límite rotacional ubicado en la tapa. Siempre se debe reponer el ensamble de cartucho de válvula en el mismo posición. **TENGA CUIDADO** después de cumplir el instalación de vuelta a la válvula para asegurar que **AGUA FRIA SALGA PRIMERO**.

2. Para quitar el cartucho de válvula del cuerpo, cierre los suministros de agua y quite el maneral y bonete. No se debe quitar el cartucho de válvula del cuerpo con atomillador. Ponga el maneral encima el vástago y giralo en el sentido contrario al de las agujas del reloj aproximado 1/4 vuelta. Levanta el cartucho de válvula aguera el cuerpo.

3. Si la agua en su area contiene cal, orín, arena o otros contaminamientos, su válvula de equilibrio de presión requerá inspecciones periódico. La frecuencia de los inspecciones depende en el tamaño de contaminamientos en la agua. Para inspeccionar el cartucho, quite el cartucho, sigue los pasos apuntado en nota 1 arriba. Dele vuelta al válvula hasta el posición completamente mixto y sacude el cartucho riguroso. Si hay traqueteo, funciona el unidad y se puede reinstalar siguiendo nota 1 de arriba. Si no hay traqueteo, reemplace el ensamble de caja.

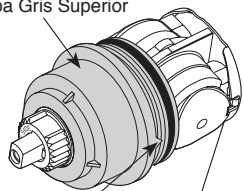
3. Si la agua en su area contiene cal, orín, arena o otros contaminamientos, su válvula de equilibrio de presión requerá inspecciones periódico. La frecuencia de los inspecciones depende en el tamaño de contaminamientos en la agua. Para inspeccionar el cartucho, quite el cartucho, sigue los pasos apuntado en nota 1 arriba. Dele vuelta al válvula hasta el posición completamente mixto y sacude el cartucho riguroso. Si hay traqueteo, funciona el unidad y se puede reinstalar siguiendo nota 1 de arriba. Si no hay traqueteo, reemplace el ensamble de caja.

Hoja resumen de referencia para el cartucho

**Unidades enviadas en
Marcha de 2006 y después.**

17

Tapa Gris Superior



Muesca V

Adaptador

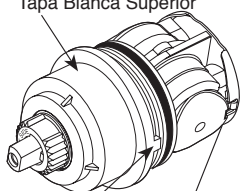
Más corto Tapa

**Ordene el Repuesto RP46463
para cambiar el cartucho.**

**Unidades enviadas antes de
Marcha de 2006.**

1700

Tapa Blanca Superior



Muesca Cuadrada

Lengüeta más Larga

**Ordene el Repuesto RP32104
para cambiar el cartucho.**



Instructions d'installation Finition de la soupape MultiChoice®

Guide d'utilisation

17 Séries

Inscrivez le numéro de modèle ici.

Articles dont vous pouvez avoir besoin:

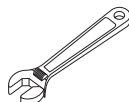
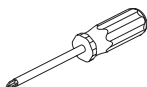


Table des matières

Garanties	Page 2
Instructions d'installation	Pages 3 - 7
Instructions de nettoyage	Page 8
Maintenance	Page 8
Fiche de référence sommaire de la cartouche	Page 8
Pièces de Rechange de Séries Classiques	Page 10
Pour les pièces de rechange supplémentaires, visitez www.deltafaucet.com	

Ce robinet satisfait aux exigences des normes ASME A112.18.1/CSA B125.1 et ASSE 1016 (Type -P- or -T-) ou les surpasse.

ATTENTION: L'installateur doit régler l'appareil pour que la température maximale de l'eau chaude soit sans danger. Toute modification des réglage peut entraîner une élévation de la température à la sortie du robinet au delà de la température sans danger et pourrait causer un échaudage.

AVIS À L'INSTALLATEUR : ATTENTION! – En qualité d'installateur, vous êtes tenu d'INSTALLER et de RÉGLER ce robinet conformément aux instructions. Ce robinet ne s'adapte pas automatiquement aux fluctuations de la température de l'eau d'alimentation. Par conséquent, il faut régler la butée limitatrice de température au moment de l'installation et il peut être nécessaire de faire de nouveaux réglages par la suite en raison des fluctuations saisonnières de la température de l'eau.

VOUS DEVEZ informer le propriétaire ou l'utilisateur de cette exigence. En cas de doute quant à la marche à suivre pour faire ces réglages, veuillez consulter page 7 si un doute persiste, et si cette incertitude persiste, appelez-nous au 1-800-345-DELTA.

Après avoir terminé l'installation et le réglage, vous devez inscrire, sur l'étiquette de mise en garde fournie, votre nom, le nom de votre entreprise et la

fournie, votre nom, le nom de votre entreprise et la date à laquelle vous avez réglé la butée limitatrice de température, puis fixer l'étiquette à l'endos de la porte de la coiffeuse. Vous devez également fixer l'étiquette d'avertissement au chauffe-eau.

Veillez laisser ce feuillet d'instructions au propriétaire ou à l'utilisateur pour qu'il puisse le consulter au besoin.

MISE EN GARDE – Ce robinet thermostatique à équilibrage de pression pour baignoire est conçu pour limiter les effets des fluctuations de température de l'eau causées par les variations de la pression d'alimentation attribuables au fonctionnement d'un lave-vaisselle, d'une machine à laver, d'un cabinet d'aisances ou d'un autre appareil qui consomme de l'eau. Il peut ne pas protéger l'utilisateur contre l'échaudage en cas de défectuosité d'un autre dispositif de régulation de la température, si le réglage de la butée limitatrice de haute température est mauvais, si la température de l'eau chaude a été modifiée après que les réglages ont été effectués ou si la température de l'eau d'alimentation a changé en raison du changement de saison.

MISE EN GARDE – N'installez pas de dispositif d'arrêt sur une sortie quelconque de ce robinet. En interrompant l'écoulement de l'eau, ce dispositif peut empêcher le robinet d'équilibrer les pressions d'eau chaude et d'eau froide.

Garantie à vie limitée des robinets et de leurs finis

Pièces et finis

Toutes les pièces (à l'exception des composants électroniques et des piles) et tous les finis de ce robinet Delta® sont protégés contre les défauts du matériel et les vices de fabrication par une garantie qui est consentie au premier acheteur et qui demeure valide tant que celui-ci demeure propriétaire de la maison dans laquelle le robinet a été installé. Dans le cas d'une utilisation commerciale, la garantie est de 5 ans à compter de la date d'achat.

Composants électroniques et piles (le cas échéant)

Si ce robinet Delta® comporte des composants électroniques, ces composants (à l'exception des piles) sont protégés contre les défauts du matériel et les vices de fabrication par une garantie consentie au premier acheteur qui est d'une durée de 5 ans à compter de la date d'achat. Dans le cas d'une utilisation commerciale, la garantie est d'un an à compter de la date d'achat. Aucune garantie ne couvre les piles.

Delta Faucet Company remplacera, GRATUITEMENT, pendant la période de garantie applicable, toute pièce ou tout fini qui présentera un défaut du matériel et/ou un vice de fabrication pour autant que le robinet ait été installé, utilisé et entretenu normalement. S'il est impossible de réparer ou de remplacer le robinet, Delta Faucet Company pourra décider de rembourser le prix d'achat du produit pour autant que celui-ci lui soit retourné. **Il s'agit de vos seuls recours.**

Delta Faucet Company recommande de confier l'installation et la réparation à un plombier professionnel. Nous vous recommandons également d'utiliser uniquement des pièces de rechange authentiques Delta®.

Delta Faucet Company se dégage de toute responsabilité à l'égard des dommages causés au robinet en raison d'un mauvais usage, d'un usage abusif, de la négligence ou de l'utilisation d'une méthode d'installation, de maintenance ou de réparation incorrecte ou inadéquate, y compris les dommages résultant du non-respect des instructions de nettoyage et d'entretien applicables. Garantie limitée des robinets Delta® Pour obtenir des pièces de rechange, veuillez appeler au numéro applicable ci-dessous ou écrire à l'adresse applicable ci-dessous.

Aux États-Unis et au Mexique :

Delta Faucet Company
Product Service
55 E. 111th Street
Indianapolis, IN 46280 St.
1-800-345-DELTA (3358)
customerservice@deltafaucet.com

Au Canada:

Masco Canada Limited, Plumbing Group
Thechnical Service Centre
350 South Edgware Road
Thomas, Ontario, Canada N5P 4L1
1-800-345-DELTA (3358)
customerservice@mascocanada.com

La preuve d'achat (reçu original) du premier acheteur doit être présentée à Delta Faucet Company pour toutes les demandes en vertu de la garantie, sauf si le produit a été enregistré auprès de Delta Faucet Company. La présente garantie s'applique uniquement aux robinets Delta® fabriqués après le 1er janvier 1995 et installés aux États-Unis d'Amérique, au Canada et au Mexique. DELTA FAUCET COMPANY SE DÉGAGE DE TOUTE RESPONSABILITÉ À L'ÉGARD DES DOMMAGES PARTICULIERS, CONSÉCUTIFS OU INDIRECTS (Y COMPRIS LES FRAIS DE MAIN-D'OEUVRE) QUI POURRAIENT RÉSULTER DE LA VIOLATION D'UNE GARANTIE IMPLICITE OU EXPLICITE QUELCONQUE SUR LE ROBINET. Dans les États ou les provinces où il est interdit de limiter ou d'exclure la responsabilité à l'égard des dommages particuliers, consécutifs ou indirects, les limites et les exclusions susmentionnées ne s'appliquent pas.

La présente garantie vous donne des droits précis qui peuvent varier selon l'État ou la province où vous résidez. La présente garantie écrite est la garantie exclusive offerte par Delta Faucet Company et elle n'est pas transférable.

Si vous avez des questions ou des préoccupations en ce qui concerne notre garantie, veuillez consulter la page Warranty FAQs à www.deltafaucet.com, faire parvenir un courriel à customerservice@deltafaucet.com ou nous appeler au numéro applicable.

Garantie Limitée sur les Robinets Ultra-Robustes Delta de la Série HDF

Toutes les pièces des robinets ultra-robustes Delta de la série HDF sont protégées contre les défauts du matériel et les vices de fabrication par une garantie qui est consentie au premier acheteur pour une période de cinq (5) ans. Cette garantie entre en vigueur à compter de la date d'achat indiquée sur le reçu de l'acheteur.

Pendant la période de garantie, Delta remplacera, SANS FRAIS, toute pièce présentant un défaut du matériel et (ou) un vice de fabrication pour autant que l'appareil ait été installé, utilisé et entretenu correctement. Pour obtenir des pièces de rechange, veuillez communiquer avec le distributeur ou le concessionnaire de votre région dont le nom figure dans l'annuaire téléphonique ou retourner la pièce défectueuse accompagnée du reçu de l'acheteur à notre usine, PORT PAYÉ, à l'adresse indiquée. LA PRÉSENTE GARANTIE EST LA SEULE GARANTIE IMPLICITE OFFERTE PAR DELTA. TOUTE RÉCLAMATION EN VERTU DE CETTE GARANTIE DOIT ÊTRE FAITE AU COURS DE LA PÉRIODE DE CINQ ANS SUSMENTIONNÉE. TOUTE GARANTIE IMPLICITE, Y COMPRIS LA GARANTIE IMPLICITE DE QUALITÉ MARCHANDE OU

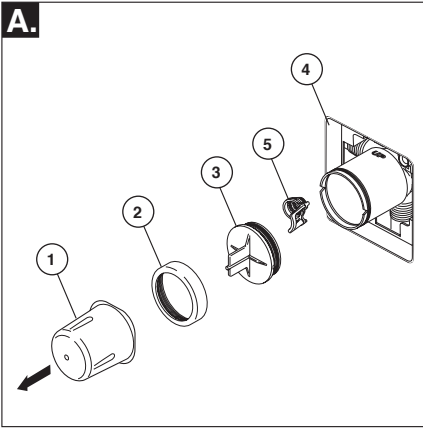
D'ADÉQUATION DU PRODUIT AVEC UN USAGE PARTICULIER, EST LIMITÉE À LA DURÉE DE LA PRÉSENTE GARANTIE. LES FRAIS DE MAIN-D'OEUVRE ET (OU) LES DOMMAGES PROVOQUÉS AU COURS DE L'INSTALLATION, DE LA RÉPARATION OU DU REMPLACEMENT D'UN ÉLÉMENT AINSI QUE LES PERTES OU LES DOMMAGES INDIRECTS EN RÉSULTANT NE SONT PAS COUVERTS PAR CETTE GARANTIE.

Là où il est interdit de limiter la durée de la garantie implicite ou les responsabilités à l'égard des dommages indirects, les exclusions et les limites susmentionnées ne s'appliquent pas.

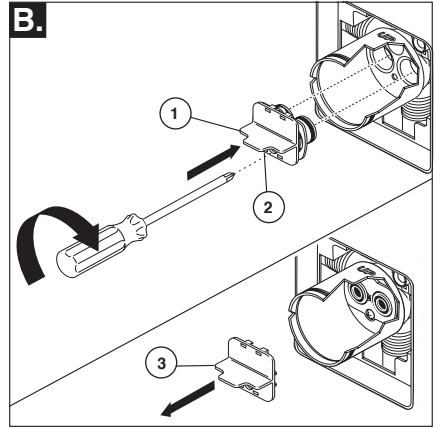
La présente garantie vous donne des droits précis qui peuvent varier selon votre lieu de résidence.

Les dommages résultant d'une mauvaise utilisation, d'une utilisation abusive, de la négligence, d'un accident, d'une mauvaise installation, du non respect de nos instructions ou de l'utilisation de pièces de rechange autres que des pièces d'origine Delta ne sont pas couverts par la garantie.

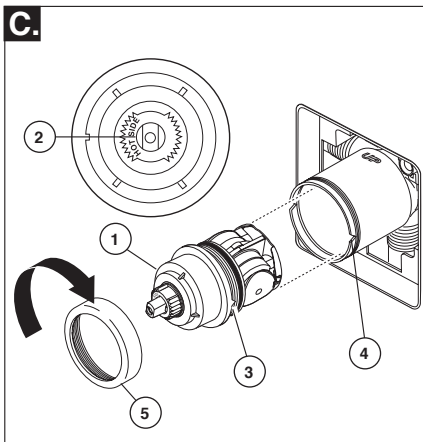
1 Installation de la cartouche.



Interrompez l'arrivée d'eau. Enlevez le couvercle (1), l'écrou à portée sphérique (2) et le capuchon d'essai (3) du corps. Si vous n'installez pas l'appareil dans une paroi mince, vous pouvez retirer le protecteur (4) complètement. Si l'écran (5) est en place, enlevez avant d'installer la cartouche.

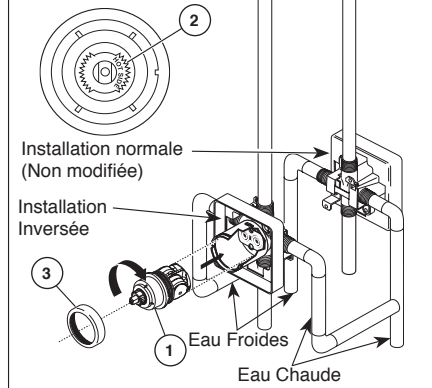


Introduisez l'adaptateur (1) dans le corps de la soupape. Assurez-vous que les joints toriques sont positionnés correctement dans les trous à la base du corps. Fixez l'adaptateur avec la vis (2) se trouvant dans celui-ci. Retirez la pièce de retenue (3) de l'adaptateur.



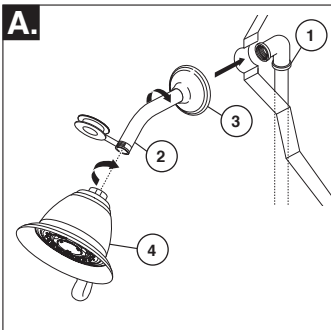
Tournez la cartouche (1) de sorte que la mention « HOT SIDE » (2) se trouve du côté gauche. Introduisez la cartouche dans le corps de la soupape. Assurez-vous que l'ergot (3) sur la cartouche est parfaitement engagé dans la rainure du corps en laiton (4). Faites glisser l'écrou à portée sphérique (5) sur la cartouche et vissez-le sur le corps. Serrez à la main fermement.

Installation dos à dos

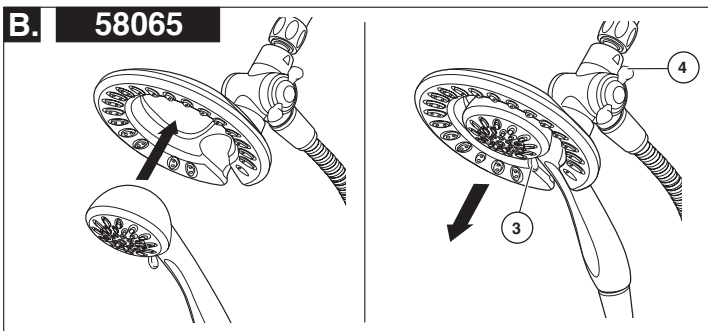
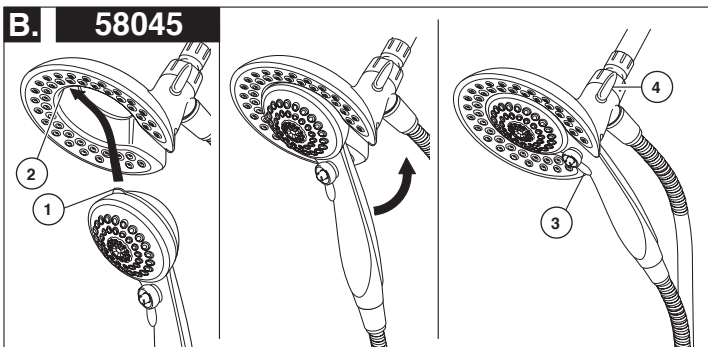


Dans le cas d'une installation dos à dos ou inversée (eau chaude à droite et eau froide à gauche) : Tournez la cartouche (1) de sorte que la mention « HOT SIDE » (2) se trouve du côté droit. Installez la cartouche en vous assurant que l'ergot est parfaitement engagé dans la rainure du corps en laiton. Faites glisser l'écrou à portée sphérique (3) sur la cartouche et vissez-le sur le corps. Serrez à la main fermement.

2 Installation de la pomme de douche et du bec de baignoire



INSTALLATION DE LA POMME DE DOUCHE :
Raccordez la sortie supérieure (1) au tuyau d'alimentation de la pomme de douche (2) à l'aide des raccords appropriés. Pour éviter d'abîmer le fini du tuyau de la pomme de douche, introduisez le côté « mur » de celui-ci dans la collerette (3) avant de le visser dans le raccord du tuyau vertical. Appliquez du ruban de plomberie sur les filets. Vissez la pomme de douche (4) sur le tuyau. Appliquez du ruban de plomberie sur les filets. Prenez garde de serrer la pomme de douche excessivement.



B. 58045: Pour combiner les deux douches, introduisez la patte supérieure (1) de la douche à main dans la rainure (2) de la pomme de douche. Poussez la douche à main dans la pomme de douche jusqu'à ce que les deux éléments se bloquent ensemble et deviennent solidaires.

58065: Pour combiner les deux douches, poussez la douche à main dans la pomme de douche, tirez ensuite sur la douche à main pour la verrouiller avec la pomme de douche.

Si la pomme de douche bouge pendant que vous retirez la douche à main, serrez le raccord entre la pomme de douche et le bras de douche à la main.

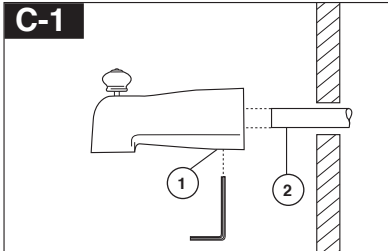
Pour changer le mode de pulvérisation, tournez la manette (3) vers la gauche ou la droite selon le réglage désiré. Utilisez le bouton (4) pour sélectionner les modes douche seulement, douche et douche à main ou douche à main seulement.

2

Installation de la pomme de douche et du bec de baignoire

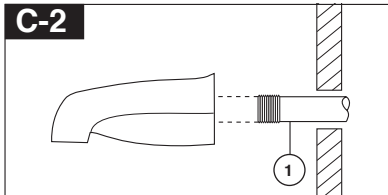
INSTALLATION DU BEC DE BAINOIRE :

Consultez les instructions d'installation fournies avec le bec. Ne raccordez pas à une soupape murale à un bec conçu pour être monté sur une page. Ne raccordez pas une douche à main à la sortie d'un robinet de baignoire-douche prévue pour un bec de baignoire. N'utilisez pas de tube PEX pour raccorder le bec.



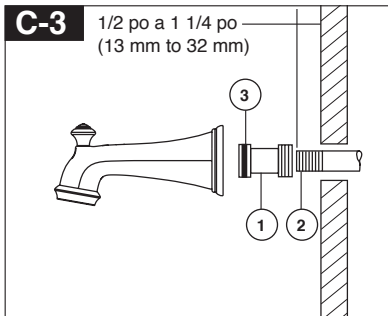
Installation d'un bec coulissant

Le tube de cuivre (1) doit avoir un diamètre nominal de 1/2 po. Important : Si vous devez couper le tube de cuivre, chanfreinez son extrémité de sorte qu'elle ne risque pas d'endommager le joint torique à l'intérieur du bec. Faites glisser le bec sur le tube de cuivre de sorte qu'il s'appuie contre la surface finie de la baignoire ou du mur. Serrez la vis de calage (2), mais prenez garde de la serrer excessivement.



Installation à l'aide d'un tuyau de fer

Installez le manchon fileté (1) 1/2 po (13 mm) de manière que sa saillie par rapport à la surface finie du mur. Appliquez du ruban de plomberie sur les filets du manchon et fixez celui-ci au bec de baignoire en vissant.

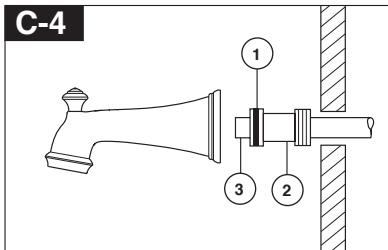


Installation sur un tuyau de fer

Installation du bec de baignoire polyvalent easy-on
Installez le manchon fileté de manière qu'il présente une saillie de 1/2 à 1 1/4 po (13 mm à 32 mm) par rapport à la surface finie du mur.

Appliquez du ruban de plomberie ou du composé à filetage sur les filets. Montez l'adaptateur (1) sur le manchon (2) et serrez-le à la main. Finissez ensuite le serrage à l'aide d'une clé à tube pour rendre le joint étanche. Prenez garde d'abîmer la rainure du joint torique (3). Les dos de l'adaptateur (1) ne doit pas se trouver à plus de 1 pouce (25 mm) par rapport à la surface finie du mur.

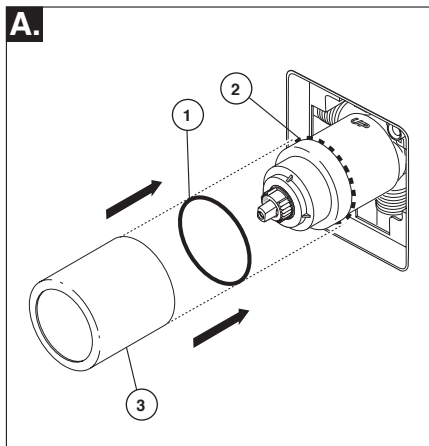
Montez le bec de baignoire sur l'adaptateur (1) et serrez-le à la main en prenant soin de ne pas abîmer le joint torique (3).



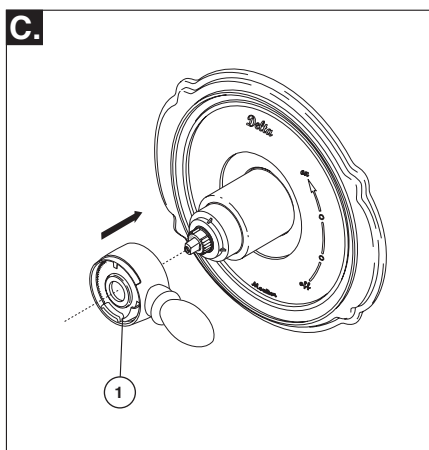
Installation à l'aide d'un tuyau de cuivre brasé

Retirez le joint torique (1) de l'adaptateur (2). Brasez l'adaptateur au tube en prenant garde d'échapper du métal d'apport dans la rainure pour le joint torique. ATTENTION : IL NE DOIT PAS Y AVOIR DE MÉTAL D'APPORT SUR LA CIRCONFÉRENCE EXTÉRIEURE DE L'ADAPTATEUR PRÈS DE LA RAINURE POUR LE JOINT TORIQUE. Coupez le tube (3) et remettez le joint torique en place dans la rainure de l'adaptateur en laiton. Vissez le bec de baignoire sur l'adaptateur et prenez garde d'abîmer le joint torique. Serrez le bec à la main jusqu'à ce qu'il s'appuie solidement contre la surface finie de la paroi et qu'il n'y ait plus de jeu derrière le mur.

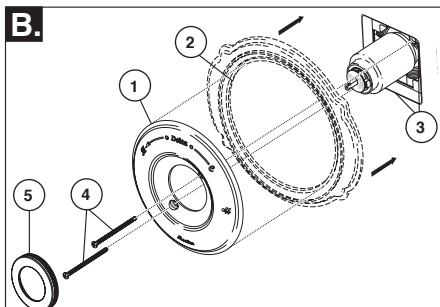
3 Installation des pièces de finition



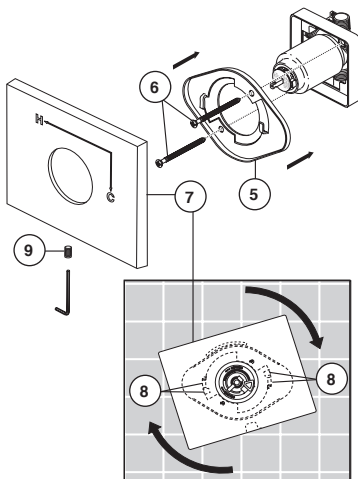
Faites glisser le joint torique (1) sur la cartouche et l'écrou à portée sphérique (2). Le joint sert de pièce d'espacement et il stabilise le manchon; il doit se trouver derrière l'écrou à portée sphérique. Faites glisser le manchon (3) sur la cartouche, le corps et le joint torique.



Installez la manette de réglage de débit (1) de manière qu'elle pointe vers la droite, puis placez-la en position d'ouverture. **NE LA FIXEZ PAS AVEC LA VIS.**



Installation de la rosace pour les modèles T17053, T17253, T17453, T17067, T17267 et T17467.

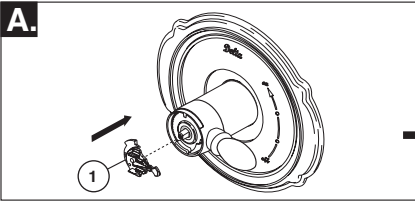


Fixez la rosace (1) et la plaque arrière (2) (si le modèle que vous installez en comporte une) sur le support (3) à l'aide des 2 vis fournies (4). Prenez garde de serrer les vis de la rosace excessivement. **Si vous installez Cassidy Modèles T17097, T17297 et T17497:** Enfilez le couvercle (5) sur l'écusson (1).

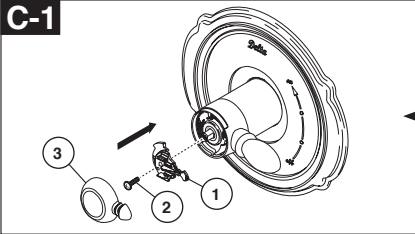
Pour les modèles T17053, T17253, T17453 T17067, T17267 et T17467:

Montez la fixation (5) sur le corps de la cartouche à l'aide des 2 vis fournies (6). Installez la plaque de finition (7) en la plaçant sur la fixation comme le montre la figure et tournez-la pour bloquer les pattes (8). Fixez la plaque de finition à la fixation à l'aide de la vis de calage (9).

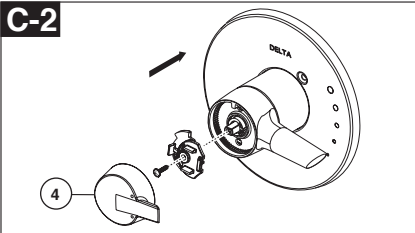
4 Installation et réglage de la butée anti-échaudage



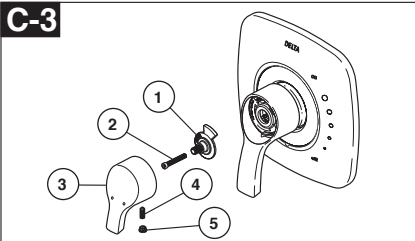
Placez le bouton de réglage de température (1) sur la manette de réglage de débit et tournez-le jusqu'à la position de mélange (au besoin). **NE LE FIXEZ PAS AVEC LA VIS.** Rétablissez l'alimentation en eau. Laissez couler l'eau jusqu'à ce que l'eau froide soit aussi froide que possible et que l'eau chaude soit aussi chaude que possible. Mettez un thermomètre dans un gobelet en plastique, puis placez le gobelet sous le jet d'eau et attendez un peu. Notez la température de l'eau.



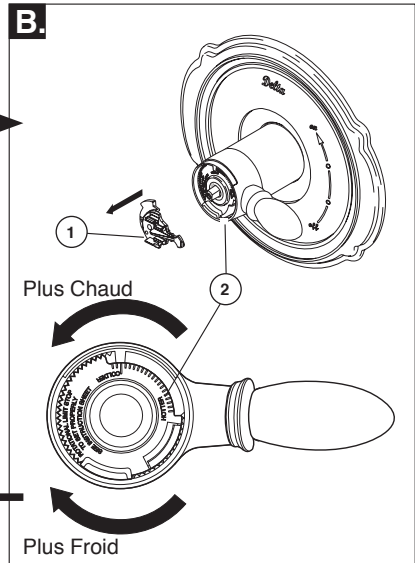
Fixez le bouton de réglage de température (1) avec la vis (2) et, en poussant fermement sur celui-ci, calez le couvercle (3) sur le bouton (1).



Fixez le bouton de réglage de température (1) avec la vis (2), accrocher avant ou poussant fermement sur calez le couvercle (3) sur bouton avant de engageant arrière bouton (1).



Fixez le bouton de réglage de température (1) avec la vis (2). Installez le couvercle de réglage de température (3) et fixez-le avec la vis de calage (4). Installez le capuchon (5).



Si la température de l'eau sur le thermomètre est supérieure à 120 °F, retirez le bouton de réglage de température (1) et tournez la butée anti-échaudage (2) dans le sens horaire d'un cran par tranche de température d'environ 4 à 6 °F. Si l'eau n'est plus assez chaude, tournez la butée anti-échaudage dans le sens antihoraire.

IMPORTANT: La première position de la butée anti-échaudage est celle qui limite le plus la rotation de la tige; elle se trouve à l'extrémité de la plage dans le sens horaire. Selon les normes de l'industrie, la température maximale de l'eau à la sortie de la soupape ne doit pas dépasser 120 °F. La température peut varier selon la région. Le réglage de la butée anti-échaudage peut être modifié si la température de l'eau d'alimentation a changé. À titre d'exemple, la température de l'eau froide est plus basse en hiver, ce qui influence la température de l'eau à la sortie de la soupape. La température idéale de l'eau pour un bain ou une douche se situe entre 90 et 110 °F.

5

La brûlure potentielle ou la blessure de choc thermique pourraient résulter du flux si la sortie à la douche est bloquée ou restreint (par exemple, le contrôle de pause surdouche). Assurez-vous de diriger la douche loin de vous en reprenant le flux ou installez des valves de contrôle d'admission sur les deux conduites d'alimentation pour empêcher la blessure possible.

Instructions de nettoyage

Il faut le nettoyer avec soin. Même si son fini est extrêmement durable, il peut être abîmé par des produits fortement abrasifs ou des produits de polissage. Il faut simplement le frotter doucement avec un chiffon humide et le sécher à l'aide d'un chiffon doux.

AVERTISSEMENT: N'employez pas le nettoyeur pour salle de bain Scrubbing Bubbles® ni le Nettoyeur de Lavabos,

de Baignoires et de Carreaux Lysol® sur les manettes et les poignées sphériques transparentes. Ces produits peuvent faire fissurer les poignées et les manettes ou les abîmer gravement. Si ces poignées ou ces manettes sont aspergées accidentellement par l'un ou l'autre des produits mentionnés, les essuyer immédiatement à l'aide d'un chiffon de coton doux.

Maintenance

Le robinet fuit par le bec ou la pomme de douche. COUPER L'EAU.
Remplacer la cartouche RP46463 ou RP32104
Voir les conseils 1, 2, 3, et 4.

Conseils:

1. Avant d'enlever la cartouche de la soupape aux fins d'entretien, prenez note de la position de la butée de température maximale sur le chapeau. La cartouche doit toujours être reposée dans la même position. **NE PAS PRENDRE DE RISQUES INUTILEMENT.** Une fois l'installation terminée, ouvrir le robinet pour s'assurer que **L'EAU FROIDE S'ÉCOULE EN PREMIER.**

2. Pour déposer la cartouche du corps, couper l'eau, puis retirer la poignée et le chapeau fileté. Ne pas utiliser un tournevis comme levier pour extraire la cartouche. Placer la poignée sur la tige et la tourner dans le sens antihoraire d'environ 1/4 de tour après contact des butées. Soulever la cartouche pour la retirer du corps.

Enlever les sièges et les ressorts, puis les reposer. Placer d'abord l'extrémité du ressort du plus grand diamètre dans le logement du siège, puis abaisser l'extrémité conique du siège sur le ressort. Remonter la cartouche et la reposer dans le corps conformément aux instructions figurant en "1" ci-dessus.

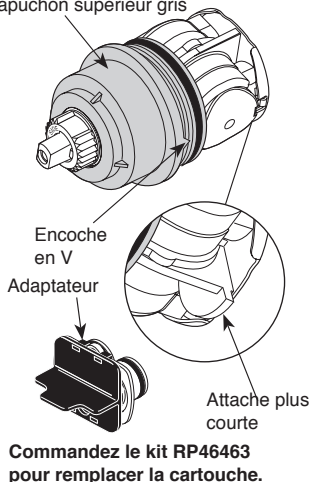
3. Si l'eau d'alimentation du robinet à équilibrage de pression renferme du calcaire, du fer, du sable ou d'autres corps étrangers, celui-ci doit faire l'objet d'inspections périodiques. La fréquence des inspections dépend de la quantité de corps étrangers dans l'eau. Pour inspecter la cartouche, la déposer et suivre et les instructions de la note 1 ci-dessus. Ouvrir la soupape en position de plein mélange et secouer la cartouche vigoureusement. Si des cliquetis se font entendre, le composant est en bon état et peut être reposé conformément aux instructions de la note 1 ci-dessus. Si on n'entend pas de cliquetis, remplacer le boîtier.

Fiche de référence sommaire de la cartouche

Unités expédiées en Mars 2006 et après.

17

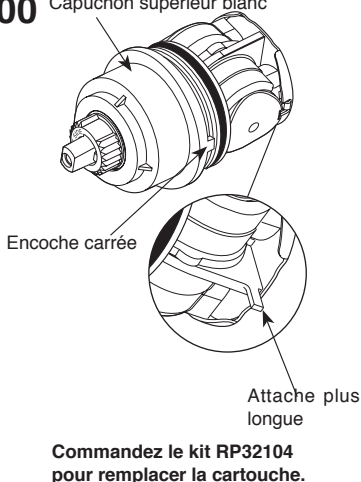
Capuchon supérieur gris



Unités expédiées avant Mars 2006.

1700

Capuchon supérieur blanc

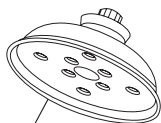


For illustrative purposes, the replacement parts for the 17 Series Classic Collection are shown on the following page. For replacement parts on all other collections, please refer to the parts diagrams available on www.deltafaucet.com.

Para los fines ilustrativos, las piezas de repuesto para la Colección Clásica de la Serie 17 se muestran en la siguiente página. Para las piezas de repuesto sobre todas las demás colecciones, por favor refiérase a los diagramas de piezas disponibles en www.deltafaucet.com.

A des fins d'illustrations, les pièces de rechange de la Collection Série Classique 17 sont montrées sur la page suivante. Pour les pièces de rechange de toutes les autres collections, veuillez vous référer aux diagrammes des pièces sur www.deltafaucet.com.

T17030, T17130, T17230, T17230-H2O, T17430 & T17430-H2O Models / Modelos / Modèles



RP70173 ▲
Showerhead
Cabeza de Rogadora
Pomme de Douche



RP43381 ▲
Showerhead
Cabeza de Rogadora
Pomme de Douche



RP6023 ▲
Shower Arm
Brazo de la Rogadora
Tuyau de Pomme de Douche



RP6025 ▲
Shower Flange
Pestaña de
la Rogadora
Collerette

▲ Specify Finish
Especifique el Acabado
Précisez le Fini

† Designates the accent
color on split finish models.

† Designa el color para
acentuar los modelos
con acabados divididos.

† Désigne la couleur
contrastante sur les
modèles à deux finis

RP196 ▲
Trim Screws/Atornillos de
Franja/Vis de Finition

RP12630 ▲
For Longer Screws
Para Tornillos Más Grandes
Pour Vis Plus Longues

*** RP46463**
Cartridge Assembly
Cartucho
Cartouche

RP28795 ▲
Escutcheon
Roseta
Rosace avec Orifice

RP23336
O-Ring
Anillo "O"
Joint Torique

RP50880 ▲ †
Trim Sleeve
Manga de Franja
Manchon de Finition

RP32105

Screw/Tornillo/Vis
NOTE: Do NOT
overtighten screw.
NOTA: NO apriete
demasiado el
tornillo.
NOTE: NE serrez
PAS trop la vis.

RP32102
Rotational Limit Stop
Tope para Limitar
Butée Rotative

RP5833 ▲
(Metal/Metalico/Métal)
Tub Spout/Non Diverter
Tubo de Salida para Bañera/
Sin Desviador
Bec/Sans Dérivation

RP73643 ▲
Handle Assembly
Ensamble de la Manija
Poignée

RP73642 ▲
Temperature Knob and Cover
Perilla de la Temperatura y Cubierta
Poignée de Réglage de Température

RP17453
RP17454 ▲
Tub Spout/Pull-Down Diverter
Tubo de Salida para Bañera/
Desviador de Halar
Bec/Avec Dérivation sur Embout

★ Refer to page 8 for more information. / Consultez con la página 8 para más información. /
Pour obtenir de plus amples renseignements, reportez-vous à la page 8.

Notes / Notas / Notes



Delta Faucet Company
Product Service
55 E. 111th Street
Indianapolis, IN 46280

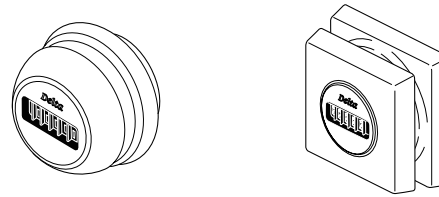


77513

BODY SPRAY ROCIADOR PARA EL CUERPO JET DE DOUCHE

ASME A112.18.1 / CSA B125.1

Models/Modelos/Modèles T50001 & T50050 Series/Series/Seria



**You may need/Usted puede necesitar/
Articles dont vous pouvez avoir besoin:**



**Write purchased model number here.
Escriba aquí el número del modelo comprado.
Inscrivez le numéro de modèle ici.**

Limited Warranty on Delta® Faucets

Parts and Finish

All parts (other than electronic parts and batteries) and finishes of this Delta® faucet are warranted to the original consumer purchaser to be free from defects in material and workmanship for as long as the original consumer purchaser owns the home in which the faucet was first installed or, for commercial users, for 5 years from the date of purchase.

Electronic Parts and Batteries (if applicable)

Electronic parts (other than batteries), if any, of this Delta® faucet are warranted to the original consumer purchaser to be free from defects in material and workmanship for 5 years from the date of purchase or, for commercial users, for one year from the date of purchase. No warranty is provided on batteries.

Delta Faucet Company will replace, FREE OF CHARGE, during the applicable warranty period, any part or finish that proves defective in material and/or workmanship under normal installation, use and service. If repair or replacement is not practical, Delta Faucet Company may elect to refund the purchase price in exchange for the return of the product. **These are your exclusive remedies.**

Delta Faucet Company recommends using a professional plumber for all installation and repair. We also recommend that you use only genuine Delta® replacement parts.

Delta Faucet Company shall not be liable for any damage to the faucet resulting from misuse, abuse, neglect or improper or incorrectly performed installation, maintenance or repair, including failure to follow the applicable care and cleaning instructions.

Replacement parts may be obtained by calling the applicable number below or by writing to:

In the United States and Mexico:

Delta Faucet Company
Product Service
55 E. 111th Street
Indianapolis, IN 46280
1-877-345-BRIZO (2749)
customerservice@deltafaucet.com

In Canada:

Masco Canada Limited, Plumbing Group
Technical Service Centre
350 South Edgeware Road
St. Thomas, Ontario, Canada N5P 4L1
1-877-345-BRIZO (2749)
customerservice@mascocanada.com

Proof of purchase (original sales receipt) from the original purchaser must be made available to Delta Faucet Company for all warranty claims unless the purchaser has registered the product with Delta Faucet Company. This warranty applies only to Brizo® faucets manufactured after January 1, 1995 and installed in the United States of America, Canada and Mexico.

DELTA FAUCET COMPANY SHALL NOT BE LIABLE FOR ANY SPECIAL, INCIDENTAL OR CONSEQUENTIAL DAMAGES (INCLUDING LABOR CHARGES) FOR BREACH OF ANY EXPRESS OR IMPLIED WARRANTY ON THE FAUCET. Some states/provinces do not allow the exclusion or limitation of special, incidental or consequential damages, so these limitations and exclusions may not apply to you. This warranty gives you special legal rights. You may also have other rights which vary from state/province to state/province.

This is Delta Faucet Company's exclusive written warranty and the warranty is not transferable.

If you have any questions or concerns regarding our warranty, please view our Warranty FAQs at www.deltafaucet.com, email us at customerservice@deltafaucet.com or call us at the applicable number above.

© 2013 Masco Corporation of Indiana

Garantía Limitada de las Llaves de Agua (grifos) Delta®

Piezas y acabado

Todas las piezas (excepto las piezas electrónicas y las pilas) y los acabados de esta llave de agua Delta® están garantizados al consumidor comprador original de estar libres de defectos en material y fabricación durante el tiempo que el comprador original posea la vivienda en la que la llave de agua fue originalmente instalada o, para los consumidores comerciales, durante 5 años a partir de la fecha de compra.

Componentes electrónicos y pilas (si aplicable)

Todas las piezas (salvo las pilas), si hay, de esta llave de agua Delta® están garantizadas al consumidor comprador original de estar libres de defectos en materiales y fabricación durante 5 años a partir de la fecha de compra o, para los usuarios comerciales, por un año a partir de la fecha de compra. No se garantizan las pilas.

Delta Faucet Company reemplazará, SIN CARGO, durante el período de garantía aplicable, cualquier pieza o acabado que pruebe tener defectos de material y/o fabricación bajo la instalación, uso y servicio normal. Si la reparación o su reemplazo no es práctico, Delta Faucet Company tiene la opción de reembolsarle su dinero por la cantidad del precio de compra a cambio de la devolución del producto. **Estos son sus únicos recursos.**

Delta Faucet Company recomienda que use los servicios de un plomero profesional para todas las instalaciones y reparaciones. También le recomendamos que utilice sólo las piezas de repuesto originales de Delta®.

Delta Faucet Company no será responsable por cualquier daño a la llave de agua que resulte del mal uso, abuso, negligencia o mala instalación o mantenimiento o reparación incorrecta, incluyendo el no seguir los cuidados aplicables y las instrucciones de limpieza.

Las piezas de repuesto se pueden obtener llamando al número correspondiente más abajo, o escribiendo a:

En los Estados Unidos y México:

Delta Faucet Company
Product Service
55 E. 111th Street
Indianapolis, IN 46280
1-877-345-BRIZO (2749)
customerservice@deltafaucet.com

En Canadá:

Masco Canada Limited, Plumbing Group
Technical Service Centre
350 South Edgeware Road
St. Thomas, Ontario, Canada N5P 4L1
1-877-345-BRIZO (2749)
customerservice@mascocanada.com

La prueba de compra (recibo original) del comprador original debe ser disponible a Delta Faucet Company para todos los reclamos a menos que el comprador haya registrado el producto con Delta Faucet Company. Esta garantía le aplica sólo a las llaves de agua de Delta® fabricadas después del 1 de enero 1995 e instaladas en los Estados Unidos de América, Canadá y México.

DELTA FAUCET COMPANY NO SE HACE RESPONSABLE POR CUALQUIER DAÑO ESPECIAL, INCIDENTAL O CONSECUENTE (INCLUYENDO LOS GASTOS DE MANO DE OBRA) POR EL INCUMPLIMIENTO DE CUALQUIER GARANTÍA EXPRESA O IMPLÍCITA DE LA LLAVE DE AGUA. Algunos estados/provincias no permiten la exclusión o limitación de daños especiales, incidentales o consecuentes, por lo que estas limitaciones y exclusiones pueden no aplicarle a usted. Esta garantía le otorga derechos legales. Usted también puede tener otros derechos que varían de estado/provincia a estado/provincia.

Esta es la garantía exclusiva por escrito de Delta Faucet Company y la garantía no es transferible.

Si usted tiene alguna pregunta o inquietud acerca de nuestra garantía, por favor, vea nuestra sección de preguntas frecuentes FAQ sobre la garantía en www.deltafaucet.com, también puede enviarnos un correo electrónico a customerservice@deltafaucet.com o llámenos al número que le corresponda anteriormente incluido.

© 2013 Masco Corporation de Indiana

Garantie limitée des robinets Delta®

Pièces et finis

Toutes les pièces (à l'exception des composants électroniques et des piles) et tous les finis de ce robinet Delta® sont protégés contre les défauts du matériel et les vices de fabrication par une garantie qui est consentie au premier acheteur et qui demeure valide tant que celui-ci demeure propriétaire de la maison dans laquelle le robinet a été installé. Dans le cas d'une utilisation commerciale, la garantie est de 5 ans à compter de la date d'achat.

Composants électroniques et piles (le cas échéant)

Si ce robinet Delta® comporte des composants électroniques, ces composants (à l'exception des piles) sont protégés contre les défauts du matériel et les vices de fabrication par une garantie consentie au premier acheteur qui est d'une durée de 5 ans à compter de la date d'achat. Dans le cas d'une utilisation commerciale, la garantie est d'un an à compter de la date d'achat. Aucune garantie ne couvre les piles.

Delta Faucet Company remplacera, GRATUITEMENT, pendant la période de garantie applicable, toute pièce ou tout fini qui présentera une défectuosité du matériel et/ou un vice de fabrication pour autant que le robinet ait été installé, utilisé et entretenu normalement. S'il est impossible de réparer ou de remplacer le robinet, Delta Faucet Company pourra décider de rembourser le prix d'achat du produit pour autant que celui-ci lui soit retourné. **Il s'agit de vos seuls recours.**

Delta Faucet Company recommande de confier l'installation et la réparation à un plombier professionnel. Nous vous recommandons également d'utiliser uniquement des pièces de rechange authentiques Delta®.

Delta Faucet Company se dégage de toute responsabilité à l'égard des dommages causés au robinet en raison d'un mauvais usage, d'un usage abusif, de la négligence ou de l'utilisation d'une méthode d'installation, de maintenance ou de réparation incorrecte ou inadéquate, y compris les dommages résultant du non-respect des instructions de nettoyage et d'entretien applicables.

Pour obtenir des pièces de rechange, veuillez appeler au numéro applicable ci-dessous ou écrire à l'adresse applicable ci-dessous.

Aux États-Unis et au Mexique :

Delta Faucet Company
Product Service
55 E. 111th Street
Indianapolis, IN 46280
1-877-345-BRIZO (2749)
customerservice@deltafaucet.com

Au Canada:

Masco Canada Limited, Plumbing Group
Technical Service Centre
350 South Edgeware Road
St. Thomas, Ontario, Canada N5P 4L1
1-877-345-BRIZO (2749)
customerservice@mascocanada.com

La preuve d'achat (reçu original) du premier acheteur doit être présentée à Delta Faucet Company pour toutes les demandes en vertu de la garantie, sauf si le produit a été enregistré auprès de Delta Faucet Company. La présente garantie s'applique uniquement aux robinets Delta® fabriqués après le 1er janvier 1995 et installés aux États-Unis d'Amérique, au Canada et au Mexique.

DELTA FAUCET COMPANY SE DÉGAGE DE TOUTE RESPONSABILITÉ À L'ÉGARD DES DOMMAGES PARTICULIERS, CONSÉCUTIFS OU INDIRECTS (Y COMPRIS LES FRAIS DE MAIN-D'OEUVRE) QUI POURRAIENT RÉSULTER DE LA VIOLATION D'UNE GARANTIE IMPLÍCITE OU EXPLÍCITE QUELCONQUE SUR LE ROBINET. Dans les États ou les provinces où il est interdit de limiter ou d'exclure la responsabilité à l'égard des dommages particuliers, consécutifs ou indirects, les limites et les exclusions susmentionnées ne s'appliquent pas. La présente garantie vous donne des droits précis qui peuvent varier selon l'État ou la province où vous résidez.

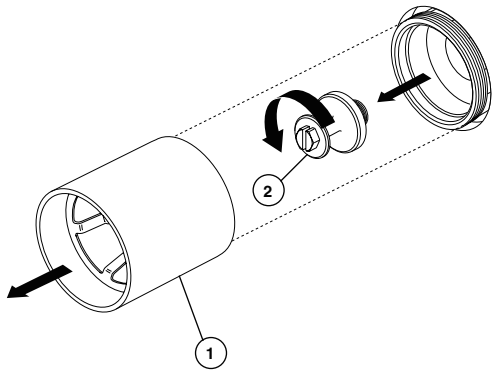
La présente garantie écrite est la garantie exclusive offerte par Delta Faucet Company et elle n'est pas transférable.

Si vous avez des questions ou des préoccupations en ce qui concerne notre garantie, veuillez consulter la page Warranty FAQs à www.deltafaucet.com, faire parvenir un courriel à customerservice@deltafaucet.com ou nous appeler au numéro applicable.

© 2013 Division de Masco Indiana

77513

1



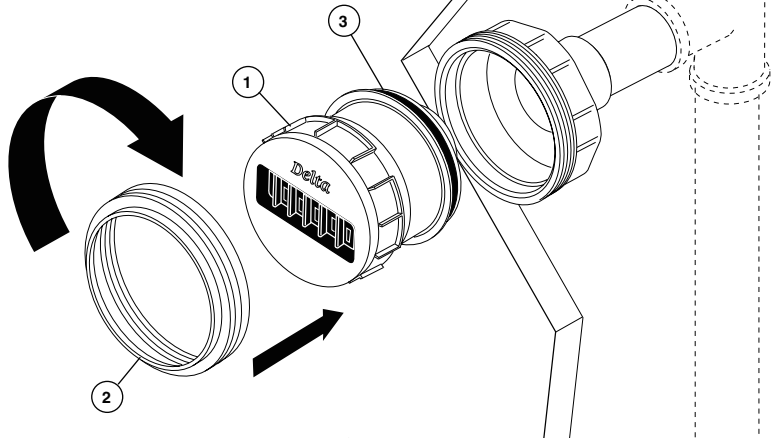
Remove plasterguard (1) and test plug (2) from the rough body.

Quite el protector de yeso (1) y tapón de prueba (2) del cuerpo de la instalación dentro de la pared.

Enlevez le protecteur (1) et le bouchon d'essai (2) du corps de robinet.

2

T50001

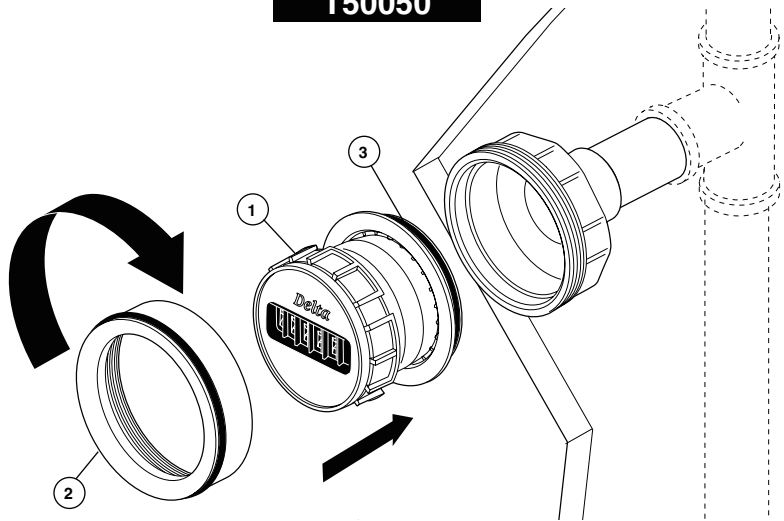


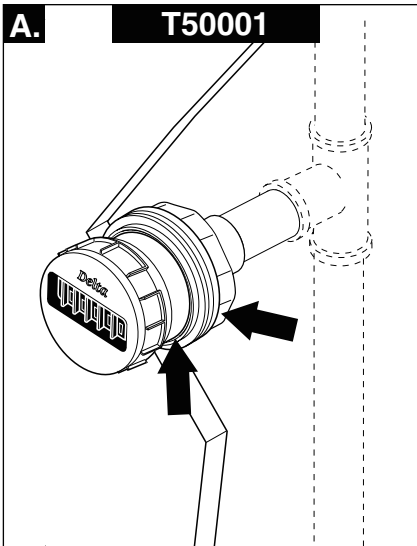
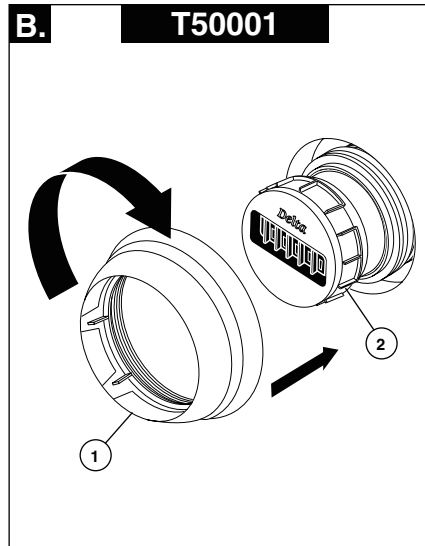
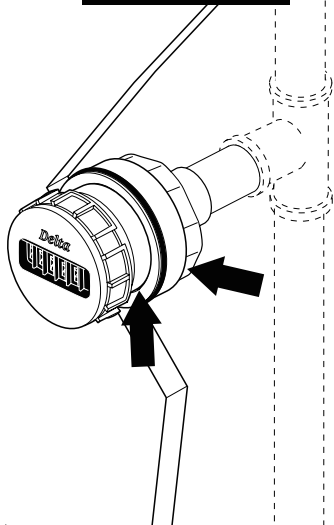
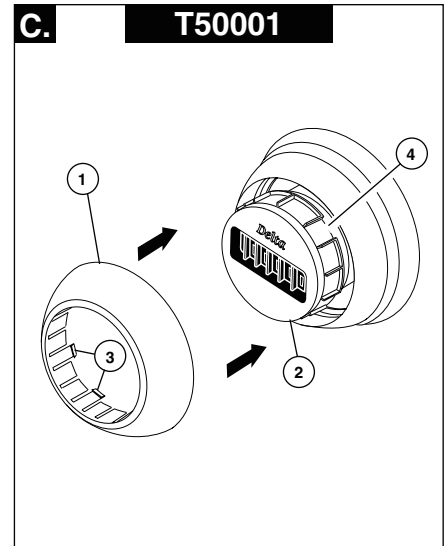
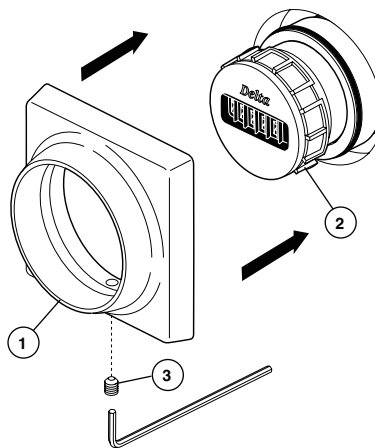
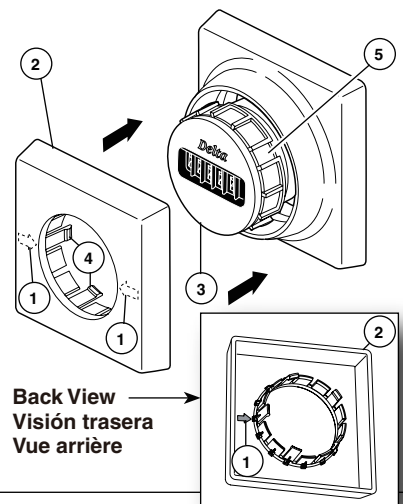
Install the body spray cartridge (1) into the body. Secure with the bonnet nut (2). **Note:** Make sure the o-ring (3) is present on the outside of the cartridge prior to installation.

Instale el cartucho del rociador de cuerpo (1) en la unidad. Fije la tuerca tapa (2). **Nota:** Asegúrese que el aro O (3) esté presente en la parte exterior del cartucho antes de instalarlo.

Montez la cartouche de jet de douche (1) dans le corps. Fixez-la avec l'écrou à portée sphérique (2). **Note** - Assurez-vous que le joint torique (3) se trouve sur l'extérieur de la cartouche avant de l'installer.

T50050



3**T50050****T50050****T50050**

A. The body spray can now be tested to look for any leakage prior to installing the trim.

B. T50001: Thread the escutcheon (1) onto the bonnet nut (2).

T50050: Place escutcheon (1) over body spray and bonnet nut (2). Slide against wall and secure with set screw (3).

C. T50001: Snap the decorative cover (1) over the spray body cartridge (2) being careful to align the 5 fingers (3) in the cover with the 5 slots (4) in the spray body.

T50050: Find arrow (1) on the back side of the decorative cover (2). Position the cover so the arrow aligns with either the right or left side of the spray body (3). Snap the decorative cover (2) over the spray body cartridge (3) being careful to align the 5 fingers (4) in the cover with the 5 slots (5) in the spray body.

A. Ahora puede probar el rociador de cuerpo para asegurar que no haya alguna filtración de agua antes de instalar el accesorio.

B. T50001: Atornille la chapa de cubierta (1) en la tuerca tapa (2).

T50050: Coloque la chapa de cubierta (1) sobre el rociador del cuerpo y la tuerca tapa (2). Deslice contra la pared y asegure con el tornillo de ajuste (3).

C. T50001: Coloque, a presión, la cubierta decorativa (2) sobre el cartucho del cuerpo del rociador (3) teniendo cuidado de alinear los 5 dedos (4) en la cubierta con las 5 (cinco) ranuras del rociador corporal.

T50050: Busque la flecha (1) en la parte trasera de la cubierta decorativa (2). Coloque la tapa para que la flecha se alinee ya sea en el lado derecho o izquierdo del cuerpo del rociador. Encaje la cubierta decorativa (2) sobre el cartucho del cuerpo del rociador (3) teniendo cuidado de alinear los 5 dedos (4) en la cubierta con las 5 ranuras (5) en el cuerpo del rociador.

A. Vous pouvez maintenant vérifier l'étanchéité du jet avant d'installer la finition.

B. T50001 : Vissez (1) la plaque de finition sur l'écrou-chapeau (2).

T50050 : Placez la plaque de finition (1) sur le jet corporel et l'écrou-chapeau (2). Glissez la plaque contre la paroi et fixez-la à l'aide de la vis de calage (3).

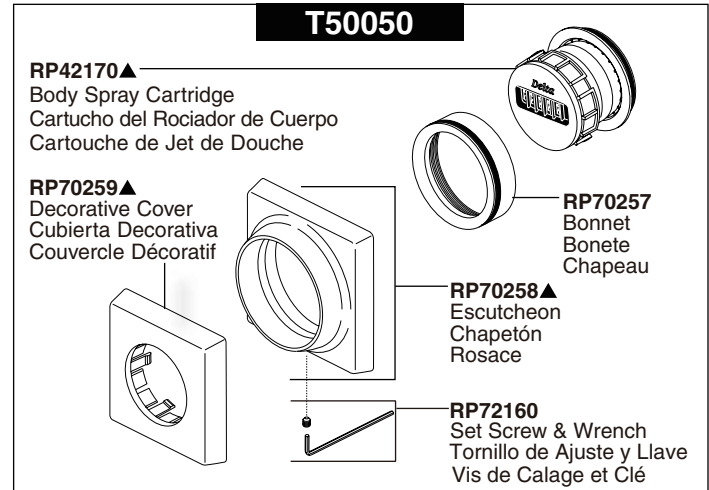
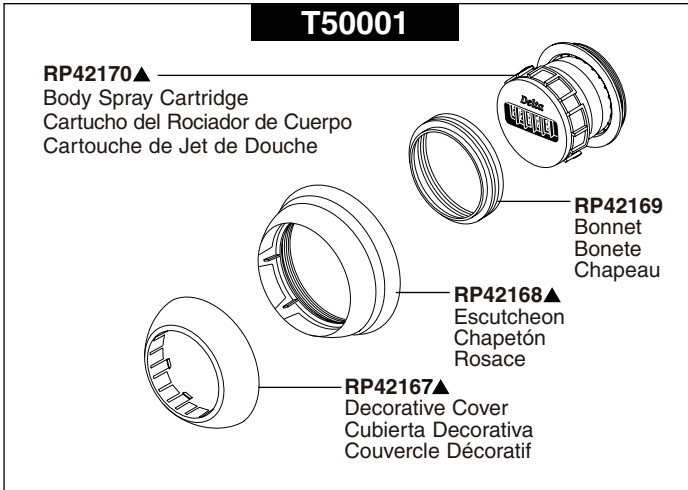
C. T50001 : Installez le couvercle décoratif (1) sur la cartouche du jet corporel (2) en exerçant une pression. Prenez soin de faire correspondre les 5 doigts (3) du couvercle avec les 5 rainures (4) dans le jet corporel.

T50050 : Repérez la flèche (1) à l'endos du couvercle décoratif (2). Placez le couvercle de manière que la flèche soit orientée vers le côté droit ou le côté gauche du jet corporel (3). Installez le couvercle décoratif (2) sur la cartouche du jet corporel (3) en exerçant une pression. Prenez soin de faire correspondre les 5 doigts (4) du couvercle avec les 5 rainures (5) dans le jet corporel.

▲Specify Finish **Note:** Replacement parts for chrome models have no suffix.

▲Especifique el Acabado **Nota:** Las piezas de repuesto para los modelos de cromo no tienen una abreviación para su acabado.

▲Précisez le Fini **Note:** Les pièces de rechange des modèles chromés ne portent pas de suffixe.



TROUBLESHOOTING TIPS

1. After installation, if there is too much of a gap between the decorative cover and the escutcheon, this is caused by the rough body being in the wrong position relative to the finished wall. To resolve this, disassemble the body spray. Remove the rough body, and increase the distance from the finished wall to the end of the pipe nipple (See illustration 2). Reinstall the components.
2. After installation, if the decorative cover rubs on the escutcheon when rotating the body spray, this is caused by the body being in the wrong position relative to the finished wall. To resolve this, disassemble the body spray. Remove the rough body, and decrease the distance from the finished wall to the end of the pipe nipple. (See illustration 2) Reinstall the components.
3. Low flow: If flow is disrupted for very long, there may be blockage on the screen provided with the rough body. Disassemble the body spray and remove the rough body. Inside the female IPS portion of the body is a removable screen. Remove the screen and clean. **BE SURE TO REINSTALL THE SCREEN.** Reinstall the body spray and test.

SUGERENCIAS PARA SOLUCIONAR PROBLEMAS

1. Después de la instalación, si existe demasiado espacio entre la cubierta decorativa y el chapetón, es porque la tubería preliminar esta colocada mal con relación a la pared acabada. Para resolver esto, desarme el rociador. Saque la unidad, aumente la distancia desde la pared acabada hasta el final de la entrerrosca de tubería (Vea la ilustración 2A). Instale los componentes otra vez.
2. Después de la instalación, si la cubierta decorativa frota el chapetón cuando gira el rociador, es porque el cuerpo está colocado mal con relación a la pared acabada. Para resolver esto, desarme el rociador. Saque la unidad, disminuya la distancia desde la pared acabada hasta el final de la entrerrosca de tubería (Vea la ilustración 2A). Instale los componentes otra vez.
3. Un flujo menor: Si el flujo ha sido interrumpido por un tiempo largo, puede existir un bloqueo en la rejilla proporcionada con el rociador de cuerpo. Desarme el rociador y quite el cuerpo preliminar. Dentro de la porción hembra del cuerpo hay una rejilla removable. Quite la rejilla y limpie. **ASEGÚRESE DE INSTALAR OTRA VEZ LA REJILLA.** Instale de nuevo el rociador de cuerpo y pruébelo

DÉPANNAGE

1. Après l'installation, si l'écart entre le couvercle décoratif et la rosace est excessif, la position du corps de jet par rapport à la paroi finie est mauvaise. Pour corriger la situation, démontez le jet de douche. Enlevez le corps et augmentez la distance entre la paroi finie et l'extrémité du manchon fileté (reportez-vous à la figure 2A). Réinstallez ensuite les éléments.
2. Après l'installation, si le couvercle décoratif frotte contre la rosace lorsque vous tournez le jet de douche, la position du corps de jet par rapport à la paroi finie est mauvaise. Pour corriger la situation, démontez le jet de douche. Enlevez le corps et réduisez la distance entre la paroi finie et l'extrémité du manchon fileté (reportez-vous à la figure 2A). Réinstallez ensuite les éléments.
3. Faible débit - Si vous n'arrivez pas à obtenir le bon débit, il est possible que le tamis fourni avec le jet de douche soit bloqué. Démontez le jet de douche et enlevez le corps. Le tamis se trouve dans la partie IPS femelle du corps. Enlevez le tamis et nettoyez-le. **NOUBLIEZ PAS DE REPOSER LE TAMIS.** Après l'avoir reposé, vérifiez le débit de nouveau.

CLEANING AND CARE

Care should be given to the cleaning of this product. Although its finish is extremely durable, it can be damaged by harsh abrasives or polish. To clean, simply wipe gently with a damp cloth and blot dry with a soft towel.

Note: This bodyspray is designed to flow less than a typical body spray. The flow rate for this spray should be approximately 1.6 GPM. If the flow is significantly lower than 1.6 GPM, and cleaning the screen did not improve the flow, contact Delta Faucet® for assistance.

LIMPIEZA Y CUIDADO DE SU LLAVE

Tenga cuidado al ir a limpiar este producto. Aunque su acabado es sumamente durable, puede ser afectado por agentes de limpieza o para pulir abrasivos. Para limpiar su llave, simplemente frótelas con un trapo húmedo y luego séquela con una toalla suave.

Nota: Este rociador está diseñado para proporcionar menos flujo que el típico rociador de cuerpo. La potencia de este rociador es aproximadamente 1.6 GPM. Si el flujo es significativamente menor que 1.6 GPM, y la limpieza de la rejilla no mejora el flujo, comuníquese con Delta Faucet® para obtener asistencia.

INSTRUCTIONS DE NETTOYAGE

Il faut le nettoyer avec soin. Même si son fini est extrêmement durable, il peut être abîmé par des produits fortement abrasifs ou des produits de polissage. Il faut simplement le frotter doucement avec un chiffon humide et le sécher à l'aide d'un chiffon doux.

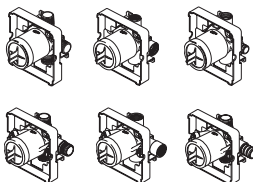
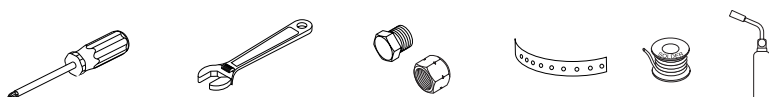
Note - Ce jet de douche a un débit inférieur à un jet de douche typique. Le débit est d'environ 1.6 gal./min. Si le débit est nettement inférieur à 1.6 gal./min et un nettoyage du tamis n'a pas rétabli le débit nominal, veuillez communiquer avec Delta FaucetTM pour obtenir de l'aide.

**50353****MULTICHOICE® ROUGH-IN BODY****PIEZAS PARA LA INSTALACIÓN INTERNA MULTICHOICE®****CORPS DE ROBINET MULTICHOICE®**

ASME A112.18.1 / CSA B125.1

Model/Modelo/Modèle
R10000
Series/Series/Seria

Write purchased model number here.
Escriba aquí el número del modelo comprado.
Inscrivez le numéro de modèle ici.

**You may need/Usted puede necesitar/Articles dont vous pouvez avoir besoin:****For easy installation of your Delta® faucet you will need:**

- To **READ ALL** the instructions completely before beginning.
- To **READ ALL** warnings, care, and maintenance information.

THIS ROUGH-IN BODY MEETS OR EXCEEDS THE FOLLOWING STANDARDS:
ASME A112.18.1 / CSA B125.1.

NOTICE TO INSTALLER: CAUTION!—As the installer of this rough-in body, it is your responsibility to properly **INSTALL** this rough-in body per the instructions given. **YOU MUST inform the owner/user of this requirement by following the instructions.** If you or the owner/user are unsure how to properly install this rough-in body, please refer to the instructions supplied and if still uncertain, call us at 1-800-345-DELTA. Leave this Instruction Sheet for the owner's/user's reference.

Para instalación fácil de su llave Delta® usted necesitará:

- **LEER TODAS** las instrucciones completamente antes de empezar
- **LEER TODOS** los avisos, cuidados, e información de mantenimiento.

ESTA VALVULA CUMPLE O EXCEDE LAS SIGUIENTES NORMAS:
ASME A112.18.1 / CSA B125.1.

AVISO AL INSTALADOR: ¡PRECAUCIÓN!— Como instalador de la tubería interna - dentro de la pared/piso, es su responsabilidad **INSTALAR** esta pieza correctamente como se describe en las instrucciones que le damos. **USTED DEBE informarle al propietario/usuario, siguiendo las instrucciones dadas, de este requisito.** Si usted o el propietario/usuario no están seguros como se instalan correctamente las tuberías internas, por favor refiérase a las instrucciones proporcionadas y si todavía no está seguro, llámenos al 1-800-345-DELTA. Deje esta hoja de instrucciones como referencia para el propietario/usuario.

Pour installer votre robinet Delta® facilement, vous devez:

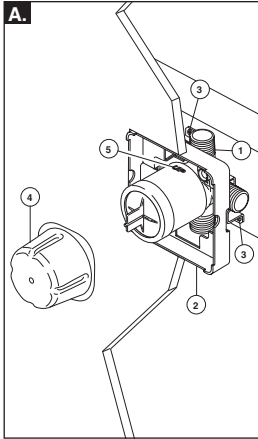
- **LIRE TOUTES** les instructions avant de débiter;
- **LIRE TOUS** les avertissements ainsi que toutes les instructions de nettoyage et d'entretien;

CE ROBINET SATISFAIT AUX EXIGENCES DES NORMES ASME A112.18.1 / CSA B125.1 OU LES SURPASSE.

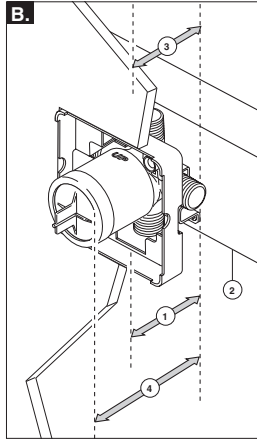
AVIS À L'INSTALLATEUR : ATTENTION! – En qualité d'installateur, vous est tenu de bien **INSTALLER** ce corps de robinet conformément aux instructions. **VOUS DEVEZ informer le propriétaire ou l'utilisateur de cette exigence.** En cas de doute quant à la marche à suivre pour installer ce corps de robinet, veuillez lire les instructions fournies et, au besoin, veuillez nous appeler au 1-800-345-DELTA. Veuillez laisser ce feuillet d'instructions au propriétaire ou à l'utilisateur pour qu'il puisse le consulter s'il y a lieu.

50353

1

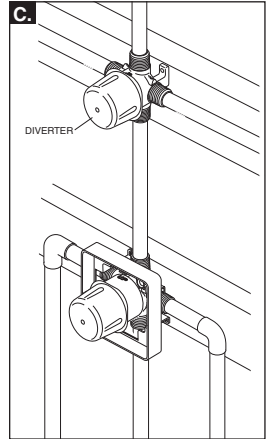


- A. SHUT OFF WATER SUPPLIES.** Consider the type and thickness of your finished wall before placing your stringer back plate. Install the body (1) so the surface of the finished wall is flush with the front of the plasterguard (2) $\pm 1/4"$. **Note: For with stops models, plasterguard must be flush or subflush $1/4"$ to finished wall.** Mount body using the two stringer mounting holes (3) on the bracket. **Note: Remove cover (4) to access mounting holes.** Make sure the word "UP" (5) is on top of the valve body when installing.



- B.** Distance (1) from the stringer (2) to the front of the plasterguard is $2\ 3/4" \pm 1/4"$ (70 mm ± 6 mm). **Note: This is the same distance to the finished wall (3).** Distance (4) from the stringer (2) to the front of the bonnet is $3\ 7/8"$ (99 mm). (For reference only)

If a thin wall is used, be sure to have the plasterguard behind the wall, otherwise the wall should always be flush with the front of the plasterguard. See instruction on the bag for thin wall mounting. **Note: For thin wall installation, RP47202 might be needed.**



- C.** The figure illustrates the diverter and MultiChoice installed in the same finished wall.

Note: Refer to the diverter rough installation instructions for more information.

A. CIERRE LOS SUMINISTROS DE AGUA.

Considere el tipo y el grosor de su pared terminada antes de colocar su placa trasera de acoplamiento de las tuberías. Instale el cuerpo (1) de manera que la superficie de la pared terminada esté al ras con la parte delantera del protector de yeso (2) $\pm 1/4"$. **Nota: Para modelos con topes, el yeso debe estar al mismo nivel o por debajo de $1/4"$ de la pared terminada.** Instale la pieza usando los dos agujeros de instalación del acoplamiento (3) en el soporte. **Nota: Quite la cubierta (4) para tener acceso a los agujeros de instalación.** Cuando esté haciendo la instalación, asegúrese que la palabra "UP" (5) quede arriba de la válvula.

- B.** La distancia (1) desde el larguero (2) al frente del protector de yeso es $2\ 3/4" \pm 1/4"$ (70 mm ± 6 mm). **Nota: Esta es la misma distancia a la pared acabada (3).** La distancia (4) desde el larguero (2) en la parte delantera del capuchón o tuerca tapa de $3\ 7/8"$ (99 mm). (Sólo como referencia)

Si está haciendo la instalación en una pared delgada, asegúrese tener el protector de yeso detrás de la pared, de lo contrario la pared debe siempre estar al ras con la parte delantera del protector de yeso. Lea las instrucciones en la bolsa para instalación en paredes delgadas. **Nota: Para una instalación en pared delgada, puede requerir RP47202.**

- C.** La figura muestra el desviador y MultiChoice instalado en la misma pared terminada.

Nota: Para más información, consulte con las instrucciones de instalación preliminar del desviador.

A. INTERROMPEZ L'ALIMENTATION EN EAU.

Déterminez le type de la paroi et son épaisseur totale avant de placer la plaque arrière. Installez le corps (1) de sorte que la surface du mur fini soit à égalité avec l'avant du protecteur (2) $\pm 1/4$ po. **Note : Dans le cas des modèles munis de butées, le protecteur peut être à égalité du mur fini ou présenter un retrait de $1/4$ po.** Installez le corps utilisez les deux trous (3) de la fixation qui donnent sur l'entretoise. **Note : Enlevez le couvercle (4) pour découvrir les trous de montage.** Au moment de l'installation, assurez-vous que le mot « UP » (5) sur le dessus du corps de robinet se trouve en haut.

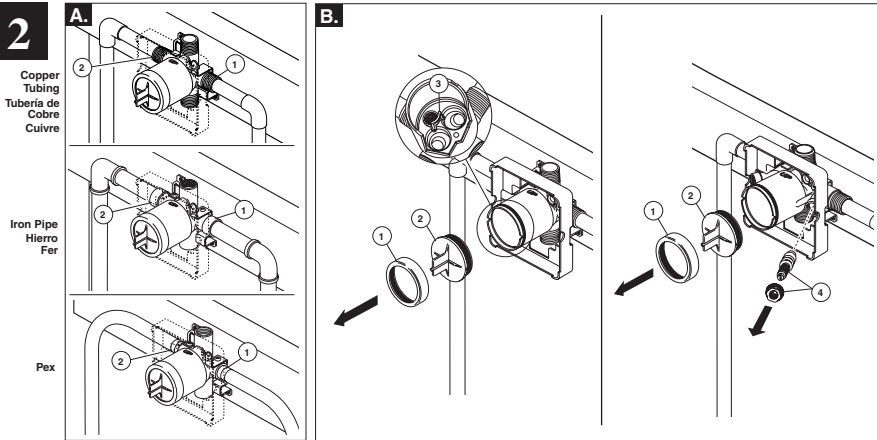
- B.** L'écart (1) entre la traverse (2) et l'avant du protecteur est de $2\ 3/4$ po $\pm 1/4$ po (70 mm ± 6 mm). **Note : L'écart est le même que par rapport au mur fini (3).** L'écart (4) entre la traverse (2) et l'avant du chapeau est de $3\ 7/8"$ (99 mm) (pour référence seulement).

Si le mur est mince, vous devez placer le protecteur derrière le mur. Autrement, l'avant du protecteur doit toujours se trouver à égalité de la surface du mur fini. Consultez les instructions d'installation dans un mur mince qui se trouvent sur le sac. **Note : Dans le cas d'une installation dans un mur mince, le kit RP47202 peut être nécessaire.**

- C.** La figure montre l'inverseur et la soupape MultiChoice installés dans le même mur fini.

Note : Consultez les instructions d'installation de la soupape de l'inverseur pour obtenir plus de renseignements.

2



- A.** Connect valve body to water supplies using the proper fittings for your valve body type (copper tubing, iron pipe or Pex). **Note: For Pex, be sure to use the right fitting for crimping and the right tool for cold expansion.** If either of the two outlet ports is to be unused, seal the port with a pipe plug. **Note: (1) is the cold inlet port and (2) is the hot inlet port.**

If you are making a back to back or reverse installation (hot on right and cold on left) install the valve body as described, but the water supply lines will be reversed. **Note: (1) is the hot inlet port and (2) is the cold inlet port.**

- B.** Remove bonnet (1) and test cap (2) before soldering. Leave screen (3) installed. **Warning: Avoid soldering at high temperature. Exposure to high temperatures may damage screen. Be sure stops (4) are removed from the w/stops version before soldering. (Do not install before soldering.)**

- A.** Conecte el cuerpo de la válvula a los suministros de agua usando los accesorios apropiados para el tipo de su válvula (tubería de cobre, hierro o Pex). **Nota: Para Pex, asegúrese de usar el accesorio correcto para plegar y la herramienta adecuada para la expansión en frío.** Si no va a usar alguna de las dos entradas de agua, séllela con un tapón de tubería. **Nota: (1) es la entrada del agua fría y el (2) es la entrada del agua caliente.**

Si está haciendo una instalación dorso con dorso o a la inversa (caliente en la derecha y fría en la izquierda) instale el cuerpo de la válvula como se describe arriba, pero coloque al inverso las líneas de suministro de agua. **Nota: (1) es la entrada de agua caliente (2) es la entrada del agua fría.**

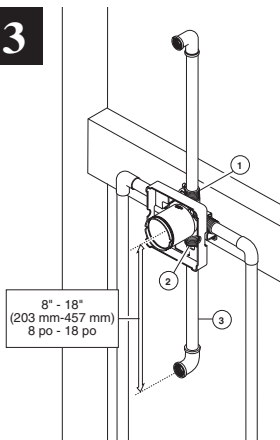
- B.** Quite la tuerca tapa (1) y la tapa de prueba (2) antes de soldar. Deje la rejilla (3) instalada. **AVISO: Evite soldar a temperaturas altas. Si se deja expuesto a temperaturas altas pudiera dañar la rejilla. Sea seguro que las válvulas apagadas (4) están quitadas de la versión con las paradas antes de soldar. (no instale antes de soldar.)**

- A.** Raccorder le corps de robinet à la tuyauterie (cuivre, fer ou Pex). **Note : Si la tuyauterie est en Pex, assurez-vous d'avoir le bon raccord pour le sertissage et le bon outil pour la dilatation à froid.** Si l'une des entrées est inutilisée, obturez-la avec un bouchon. **Note : (1) correspond à l'entrée d'eau froide et (2) correspond à l'entrée d'eau chaude.**

Dans le cas d'une installation dos à dos ou inversée (eau chaude à droite et eau froide à gauche), installez le corps de robinet de la manière indiquée ci-dessus. La tuyauterie d'alimentation doit toutefois être inversée. **Note : (1) est l'entrée d'eau chaude et (2) est l'entrée d'eau froide.**

- B.** Enlevez le chapeau (1) et le capuchon d'essai (2) avant d'effectuer le brasage. Laissez le tamis (3) en place. **Mise en garde : évitez le brasage à haute température pour ne pas abîmer le tamis. Soyez sûr que des valves coupées (4) sont enlevées de la version avec des arrêts avant la soudure. (n'installez pas avant la soudure.)**

3

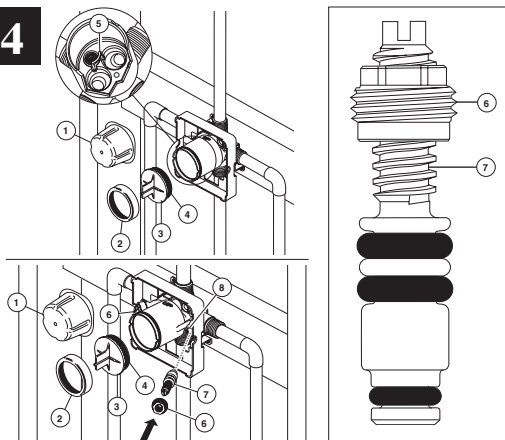


Connect top outlet (1) to shower pipe with proper fittings. Connect bottom outlet (2) to tub spout pipe with proper fittings. Pipe (3) between valve body and tub spout must be a minimum of 1/2" (13 mm) copper pipe or 1/2" (13 mm) iron pipe in a **straight drop** no less than 8" (203 mm) but no more than 18" (457 mm) long with only **one** iron pipe or copper 90 degree elbow to the tub spout nipple. **Do not use PEX tubing for tub spout drop. Note: There is no tub outlet in high flow models.**

Conecte la salida de arriba (1) a la tubería de la regadera con los accesorios apropiados. Conecte la salida de abajo (2) a la tubería del surtidor de la bañera con los accesorios apropiados. La tubería (3) entre el cuerpo de la válvula y el de la bañera debe ser de un mínimo de 1/2" (13 mm) de tubería de cobre o 1/2" (13 mm) de tubería de hierro en caída recta no menos de 8" (203 mm) pero no más de 18" (457 mm) de largo a la entroncesca del surtidor de la bañera y con sólo un codo de 90 grados, de tubería de hierro o cobre. **No use la tubería PEX como tubería entre la válvula y el surtidor de la bañera.**

À l'aide des raccords appropriés, raccordez l'orifice supérieur (1) au tuyau de la douche et l'orifice inférieur (2) au tuyau du bec de baignoire. Le corps de robinet doit être relié au bec de baignoire par un tuyau de cuivre d'au moins 1/2 po (13 mm) ou un tuyau de fer d'au moins 1/2 po (13 mm). Ce tuyau (3) doit être droit et il doit avoir une longueur d'au moins 8 po (203 mm) et d'au plus 18 po (457 mm); il doit être relié au tuyau du bec de baignoire par un seul coude à 90 degrés en cuivre ou en fer. **N'utilisez pas de tube PEX pour raccorder le bec.**

4



PRESSURE TESTING & FLUSHING THE INSTALLATION

Prior to testing, remove cover (1), bonnet (2) and cap (3). Ensure O-ring (4) and filter screen (5) are properly installed. Reinstall cap and bonnet and tighten securely. Plug both outlets with proper fittings. Check for leaks. After testing remove shower and/or tub spout plug and flush system. After flushing remove filter screen (5) and reinstall cap, bonnet and cover. Install stops (6 & 7) in the w/stops version and set to full open. **Note: Install stops in the w/stops version as follows: Thread nut (6) on stem (7) as shown. Then press stem and nut assembly into body (8) and tighten using a 3/8", 6 point, deep well socket. With a flat head screwdriver, adjust stem clockwise to close and counterclockwise to open.**

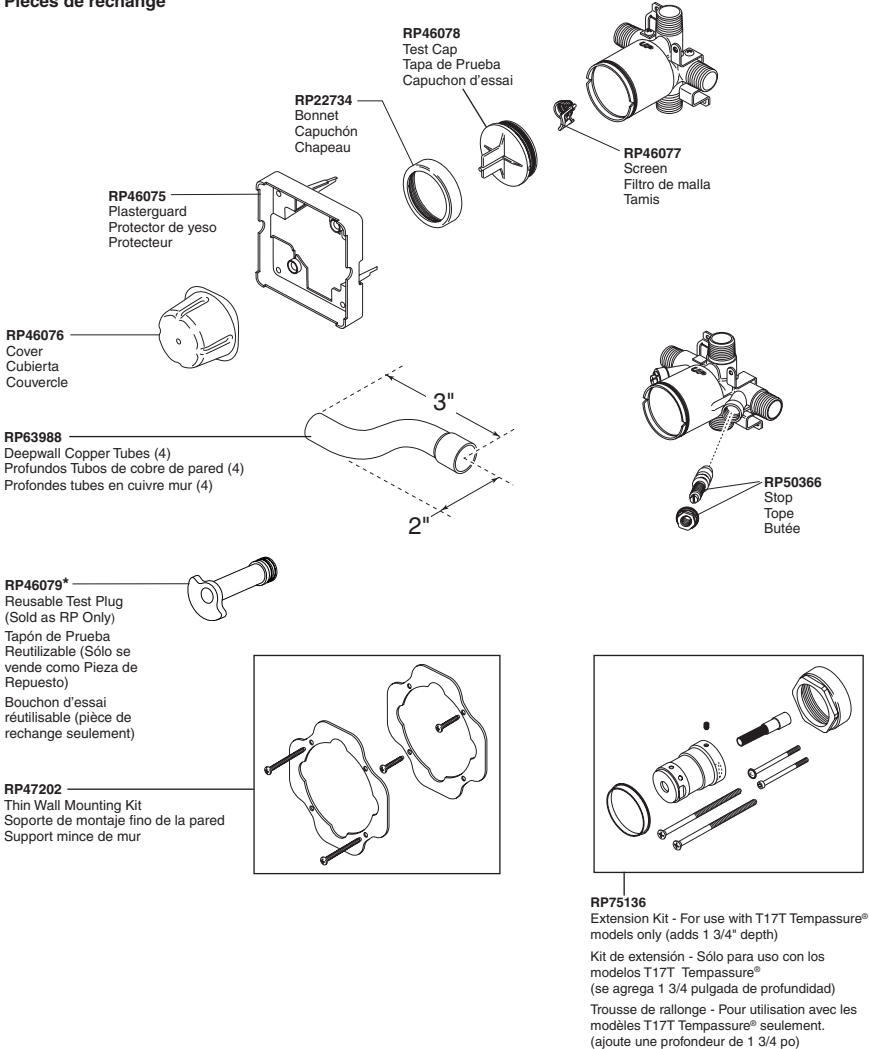
PRUEBA DE PRESIÓN Y LIMPIEZA DE LA INSTALACIÓN

Antes de probar, quite la cubierta (1), el capuchón (2) y la tapa (3). Asegúrese que el aro O (4) y el filtro de malla (5) están correctamente instalados. Si lo ha quitado, instale otra vez la tapa y el capuchón, y apriete bien. Tape ambas salidas con los accesorios apropiados. Examine si hay filtraciones o fugas. Después de hacer la prueba quite el tapón de la regadera y/o bañera y deje que el agua corra para limpiar el sistema de tuberías. Después de dejar el agua correr quite el filtro de malla (5) y reinstale la tapa, el capuchón y la cubierta. Instale las válvulas apagadas (6 y 7) en con las paradas versión y sistema para abrirse por completo. **Nota: Instale las paradas en con la versión de las válvulas apagadas como sigue: Rosque la tuerca (6) en el vástago (7) según lo demostrado. Después presione el montaje del vástago y de tuerca en cuerpo (8) y apriete con un 3/8", 6 puntos, zócalo bien profundo. Con un destornillador principal plano, ajuste el vástago a la derecha al cierre y a la izquierda abrirse.**

ESSAI SOUS PRESSION ET RINÇAGE DE L'INSTALLATION

Avant d'effectuer l'essai, enlevez le couvercle (1), le chapeau (2) et le capuchon (3). Assurez-vous que le joint torique (4) et le tamis (5) sont bien installés. Remposez le capuchon et le chapeau si vous les avez enlevés et serrez-les solidement. Obtenez les deux sorties à l'aide des bouchons appropriés. Vérifiez l'étanchéité. Après avoir réalisé l'essai, enlevez le bouchon de la sortie de la douche et/ou le bouchon de la sortie du bec de baignoire et rincez l'installation. Une fois l'installation rincée, enlevez le tamis (5) et remposez le capuchon, le chapeau ainsi que le couvercle. Installez les valves coupées (6 et 7) dans avec des arrêts version et assemble sur grand ouvert. **Note : Installez les arrêts dans avec la version de valves coupées comme suit : Filetez l'écrou (6) sur la tige (7) comme montré. Alors serrez l'ensemble de tige et d'écrou dans le corps (8) et serrez en utilisant un 3/8", 6 points, douille bonne profonde. Avec un tournevis principal plat, ajustez la tige dans le sens des aiguilles d'une montre sur la fin et s'ouvrir dans le sens contraire des aiguilles d'une montre.**

Replacement Parts
Piezas de Repuesto
Pièces de rechange



*Used to plug one inlet side (Hot or Cold) to prevent cross flow when checking for leaks before the cartridge is installed. Insert into the inlet, place test cap and use the bonnet to secure in place.

*Tapaban una entrada lateral (caliente o frío) para prevenir flujo cruzado cuando la comprobación para saber si hay escapes antes del cartucho está instalada. El relleno en la entrada, casquillo de la prueba del lugar y utiliza el capo para asegurar en lugar.

*Branchaient une admission latérale (chaud ou froid) pour empêcher l'écoulement en travers quand la vérification les fuites avant la cartouche est installée. L'insertion dans l'admission, chapeau d'essai d'endroit et emploient le capot pour fixer en place.

Limited Warranty on Delta® Faucets

Parts and Finish

All parts (other than electronic parts and batteries) and finishes of this Delta® faucet are warranted to the original consumer purchaser to be free from defects in material and workmanship for as long as the original consumer purchaser owns the home in which the faucet was first installed or, for commercial users, for 5 years from the date of purchase.

Electronic Parts and Batteries (if applicable)

Electronic parts (other than batteries), if any, of this Delta® faucet are warranted to the original consumer purchaser to be free from defects in material and workmanship for 5 years from the date of purchase or, for commercial users, for one year from the date of purchase. No warranty is provided on batteries.

Delta Faucet Company will replace, FREE OF CHARGE, during the applicable warranty period, any part or finish that proves defective in material and/or workmanship under normal installation, use and service. If repair or replacement is not practical, Delta Faucet Company may elect to refund the purchase price in exchange for the return of the product. **These are your exclusive remedies.**

Delta Faucet Company recommends using a professional plumber for all installation and repair. We also recommend that you use only genuine Delta® replacement parts.

Delta Faucet Company shall not be liable for any damage to the faucet resulting from misuse, abuse, neglect or improper or incorrectly performed installation, maintenance or repair, including failure to follow the applicable care and cleaning instructions.

Replacement parts may be obtained by calling the applicable number below or by writing to:

In the United States and Mexico:

Delta Faucet Company
Product Service
55 E. 111th Street
Indianapolis, IN 46280
1-800-345-DELTA (3358)
customerservice@deltafaucet.com

In Canada:

Masco Canada Limited, Plumbing Group
Technical Service Centre
350 South Edgeware Road
St. Thomas, Ontario, Canada N5P 4L1
1-800-345-DELTA (3358)
customerservice@mascocanada.com

Proof of purchase (original sales receipt) from the original purchaser must be made available to Delta Faucet Company for all warranty claims unless the purchaser has registered the product with Delta Faucet Company. This warranty applies only to Delta® faucets manufactured after January 1, 1995 and installed in the United States of America, Canada and Mexico.

DELTA FAUCET COMPANY SHALL NOT BE LIABLE FOR ANY SPECIAL, INCIDENTAL OR CONSEQUENTIAL DAMAGES (INCLUDING LABOR CHARGES) FOR BREACH OF ANY EXPRESS OR IMPLIED WARRANTY ON THE FAUCET. Some states/provinces do not allow the exclusion or limitation of special, incidental or consequential damages, so these limitations and exclusions may not apply to you. This warranty gives you special legal rights. You may also have other rights which vary from state/province to state/province.

This is Delta Faucet Company's exclusive written warranty and the warranty is not transferable.

If you have any questions or concerns regarding our warranty, please view our Warranty FAQ at www.deltafaucet.com, email us at customerservice@deltafaucet.com or call us at the applicable number above.

© 2013 Masco Corporation of Indiana

Garantía Limitada de las Llaves de Agua (grifos) Delta®

Piezas y acabado

Todas las piezas (excepto las piezas electrónicas y las pilas) y los acabados de esta llave de agua Delta® están garantizados al consumidor comprador original de estar libres de defectos en material y fabricación durante el tiempo que el comprador original posea la vivienda en la que la llave de agua fue originalmente instalada o, para los consumidores comerciales, durante 5 años a partir de la fecha de compra.

Componentes electrónicos y pilas (si aplicable)

Todas las piezas (salvo las pilas), si hay, de esta llave de agua Delta® están garantizadas al consumidor comprador original de estar libres de defectos en materiales y fabricación durante 5 años a partir de la fecha de compra, o para los usuarios comerciales, por un año a partir de la fecha de compra. No se garantizan las pilas.

Delta Faucet Company reemplazará, SIN CARGO, durante el período de garantía aplicable, cualquier pieza o acabado que pruebe tener defectos de material y/o fabricación bajo la instalación, uso y servicio normal. Si la reparación o su reemplazo no es práctico, Delta Faucet Company tiene la opción de reembolsarle su dinero por la cantidad del precio de compra a cambio de la devolución del producto. **Estos son sus únicos recursos.**

Delta Faucet Company recomienda que use los servicios de un plomero profesional para todas las instalaciones y reparaciones. También le recomendamos que utilice sólo las piezas de repuesto originales de Delta®.

Delta Faucet Company no será responsable por cualquier daño a la llave de agua que resulte del mal uso, abuso, negligencia o mala instalación o mantenimiento o reparación incorrecta, incluyendo el no seguir los cuidados aplicables y las instrucciones de limpieza.

Las piezas de repuesto se pueden obtener llamando al número correspondiente más abajo, o escribiendo a:

En los Estados Unidos y México:

Delta Faucet Company
Product Service
55 E. 111th Street
Indianapolis, IN 46280
1 800 345 DELTA (3358)
customerservice@deltafaucet.com

En Canadá:

Masco Canada Limited, Plumbing Group
Technical Service Centre
350 South Edgeware Road
St. Thomas, Ontario, Canada N5P 4L1
1 800 345 DELTA (3358)
customerservice@mascocanada.com

La prueba de compra (recibo original) del comprador original debe ser disponible a Delta Faucet Company para todos los reclamos a menos que el comprador haya registrado el producto con Delta Faucet Company. Esta garantía le aplica sólo a las llaves de agua de Delta® fabricadas después del 1 de enero 1995 e instaladas en los Estados Unidos de América, Canadá y México.

DELTA FAUCET COMPANY NO SE HACE RESPONSABLE POR CUALQUIER DAÑO ESPECIAL, INCIDENTAL O CONSECUENTE (INCLUYENDO LOS GASTOS DE MANO DE OBRA) POR EL INCUMPLIMIENTO DE CUALQUIER GARANTÍA EXPRESA O IMPLÍCITA DE LA LLAVE DE AGUA. Algunos estados/provincias no permiten la exclusión o limitación de daños especiales, incidentales o consecuentes, por lo que estas limitaciones y exclusiones pueden no aplicarse a usted. Esta garantía le otorga derechos legales. Usted también puede tener otros derechos que varían de estado/provincia a estado/provincia.

Esta es la garantía exclusiva por escrito de Delta Faucet Company y la garantía no es transferible.

Si usted tiene alguna pregunta o inquietud acerca de nuestra garantía, por favor, vea nuestra sección de preguntas frecuentes FAQ sobre la garantía en www.deltafaucet.com, también puede enviarnos un correo electrónico a customerservice@deltafaucet.com o llámanos al número que le correspondía anteriormente incluido.

© 2013 Masco Corporation de Indiana

Garantie limitée des robinets Delta®

Pièces et finis

Toutes les pièces (à l'exception des composants électroniques et des piles) et tous les finis de ce robinet Delta® sont protégés contre les défauts du matériel et les vices de fabrication par une garantie qui est consentie au premier acheteur et qui demeure valide tant que celui-ci demeure propriétaire de la maison dans laquelle le robinet a été installé. Dans le cas d'une utilisation commerciale, la garantie est de 5 ans à compter de la date d'achat.

Composants électroniques et piles (le cas échéant)

Si ce robinet Delta® comporte des composants électroniques, ces composants (à l'exception des piles) sont protégés contre les défauts du matériel et les vices de fabrication par une garantie consentie au premier acheteur qui est d'une durée de 5 ans à compter de la date d'achat. Dans le cas d'une utilisation commerciale, la garantie est d'un an à compter de la date d'achat. Aucune garantie ne couvre les piles.

Delta Faucet Company remplacera, GRATUITEMENT, pendant la période de garantie applicable, toute pièce ou tout fini qui présentera une défectuosité du matériel et/ou un vice de fabrication pour autant que le robinet ait été installé, utilisé et entretenu normalement. Si'il est impossible de réparer ou de remplacer le robinet, Delta Faucet Company pourra décider de rembourser le prix d'achat du produit pour autant que celui-ci lui soit retourné. Il s'agit de vos seuls recours.

Delta Faucet Company recommande de confier l'installation et la réparation à un plombier professionnel. Nous vous recommandons également d'utiliser uniquement des pièces de rechange authentiques Delta®.

Delta Faucet Company se dégage de toute responsabilité à l'égard des dommages causés au robinet en raison d'un mauvais usage, d'un usage abusif, de la négligence ou de l'utilisation d'une méthode d'installation, de maintenance ou de réparation incorrecte ou inadéquate, y compris les dommages résultant du non-respect des instructions de nettoyage et d'entretien applicables.

Pour obtenir des pièces de rechange, veuillez appeler au numéro applicable ci-dessous ou écrire à l'adresse applicable ci-dessous.

Aux États-Unis et au Mexique :

Delta Faucet Company
Product Service
55 E. 111th Street
Indianapolis, IN 46280
1-800-345-DELTA (3358)
customerservice@deltafaucet.com

Au Canada :

Masco Canada Limited, Plumbing Group
Technical Service Centre
350 South Edgeware Road
St. Thomas, Ontario, Canada N5P 4L1
1-800-345-DELTA (3358)
customerservice@mascocanada.com

La preuve d'achat (reçu original) du premier acheteur doit être présentée à Delta Faucet Company pour toutes les demandes en vertu de la garantie, sauf si le produit a été enregistré auprès de Delta Faucet Company. La présente garantie s'applique uniquement aux robinets Delta® fabriqués après le 1er janvier 1995 et installés aux États-Unis d'Amérique, au Canada et au Mexique.

DELTA FAUCET COMPANY SE DÉGAGE DE TOUTE RESPONSABILITÉ À L'ÉGARD DES DOMMAGES PARTICULIERS, CONSÉQUENTS OU INDIRECTS (Y COMPRIS LES FRAIS DE MAIN-D'ŒUVRE) QUI POURRAIENT RÉSULTER DE LA VIOLATION D'UNE GARANTIE IMPLICITE OU EXPLICITE QUELCONQUE SUR LE ROBINET. Dans les États ou les provinces où il est interdit d'exclure la responsabilité à l'égard des dommages particuliers, consécutifs ou indirects, les limites et les exclusions susmentionnées ne s'appliquent pas. La présente garantie vous donne des droits précis qui peuvent varier selon l'État ou la province où vous résidez.

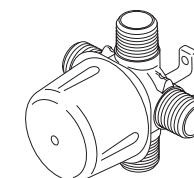
La présente garantie écrite est la garantie exclusive offerte par Delta Faucet Company et elle n'est pas transférable.

Si vous avez des questions ou des préoccupations en ce qui concerne notre garantie, veuillez consulter la page Warranty FAQs à www.deltafaucet.com, faire parvenir un courriel à customerservice@deltafaucet.com ou nous appeler au numéro applicable.

© 2013 Division de Masco Indiana



70551



Model/Modelo/Modèle
R11000

**3-PORT, THREE AND SIX FUNCTION
DIVERTER ROUGH-IN**

**TUBERÍAS DENTRO DE LA PARED
PARA EL DESVIADOR DE TRES Y SEIS
FUNCIONES, DE 3 TOMAS.**

**PLOMBERIE BRUTE DE L'INVERSEUR À 3
ORIFICES, À TROIS ET SIX FONCTIONS**

Limited Warranty on Delta® Faucets

Parts and Finish

All parts (other than electronic parts and batteries) and finishes of this Delta® faucet are warranted to the original consumer purchaser to be free from defects in material and workmanship for as long as the original consumer purchaser owns the home in which the faucet was first installed or, for commercial users, for 5 years from the date of purchase.

Electronic Parts and Batteries (if applicable)

Electronic parts (other than batteries), if any, of this Delta® faucet are warranted to the original consumer purchaser to be free from defects in material and workmanship for 5 years from the date of purchase or, for commercial users, for one year from the date of purchase. No warranty is provided on batteries.

Delta Faucet Company will replace, FREE OF CHARGE, during the applicable warranty period, any part or finish that proves defective in material and/or workmanship under normal installation, use and service. If repair or replacement is not practical, Delta Faucet Company may elect to refund the purchase price in exchange for the return of the product. **These are your exclusive remedies.**

Delta Faucet Company recommends using a professional plumber for all installation and repair. We also recommend that you use only genuine Delta® replacement parts.

Delta Faucet Company shall not be liable for any damage to the faucet resulting from misuse, abuse, neglect or improper or incorrectly performed installation, maintenance or repair, including failure to follow the applicable care and cleaning instructions.

Replacement parts may be obtained by calling the applicable number below or by writing to:

In the United States and Mexico:

Delta Faucet Company
Product Service
55 E. 111th Street
Indianapolis, IN 46280
1-800-345-DELTA (3358)
customerservice@deltafaucet.com

In Canada:

Masco Canada Limited, Plumbing Group
Technical Service Centre
350 South Edgeware Road
St. Thomas, Ontario, Canada N5P 4L1
1-800-345-DELTA (3358)
customerservice@mascocanada.com

Proof of purchase (original sales receipt) from the original purchaser must be made available to Delta Faucet Company for all warranty claims unless the purchaser has registered the product with Delta Faucet Company. This warranty applies only to Delta® faucets manufactured after January 1, 1995 and installed in the United States of America, Canada and Mexico.

DELTA FAUCET COMPANY SHALL NOT BE LIABLE FOR ANY SPECIAL, INCIDENTAL OR CONSEQUENTIAL DAMAGES (INCLUDING LABOR CHARGES) FOR BREACH OF ANY EXPRESS OR IMPLIED WARRANTY ON THE FAUCET. Some states/provinces do not allow the exclusion or limitation of special, incidental or consequential damages, so these limitations and exclusions may not apply to you. This warranty gives you special legal rights. You may also have other rights which vary from state/province to state/province.

This is Delta Faucet Company's exclusive written warranty and the warranty is not transferable.

If you have any questions or concerns regarding our warranty, please view our Warranty FAQs at www.deltafaucet.com, email us at customerservice@deltafaucet.com or call us at the applicable number above.

© 2015 Masco Corporation of Indiana

Garantía Limitada de las Llaves de Agua (grifos) Delta®

Piezas y acabado

Todas las piezas (excepto las piezas electrónicas y las pilas) y los acabados de esta llave de agua Delta® están garantizados al consumidor comprador original de estar libres de defectos en material y fabricación durante el tiempo que el comprador original posea la vivienda en la que la llave de agua fue originalmente instalada o, para los consumidores comerciales, durante 5 años a partir de la fecha de compra.

Componentes electrónicos y pilas (si aplicable)

Todas las piezas (salvo las pilas), si hay, de esta llave de agua Delta® están garantizadas al consumidor comprador original de estar libres de defectos en materiales y fabricación durante 5 años a partir de la fecha de compra o, para los usuarios comerciales, por un año a partir de la fecha de compra. No se garantizan las pilas.

Delta Faucet Company reemplazará, SIN CARGO, durante el período de garantía aplicable, cualquier pieza o acabado que pruebe tener defectos de material y/o fabricación bajo la instalación, uso y servicio normal. Si la reparación o su reemplazo no es práctico, Delta Faucet Company tiene la opción de reembolsarle su dinero por la cantidad del precio de compra a cambio de la devolución del producto. **Estos son sus únicos recursos.**

Delta Faucet Company recomienda que use los servicios de un plomero profesional para todas las instalaciones y reparaciones. También le recomendamos que utilice sólo las piezas de repuesto originales de Delta®.

Delta Faucet Company no será responsable por cualquier daño a la llave de agua que resulte del mal uso, abuso, negligencia o mala instalación o mantenimiento o reparación incorrecta, incluyendo el no seguir los cuidados aplicables y las instrucciones de limpieza.

Las piezas de repuesto se pueden obtener llamando al número correspondiente más abajo, o escribiendo a:

En los Estados Unidos y México:

Delta Faucet Company
Product Service
55 E. 111th Street
Indianapolis, IN 46280
1 800 345 DELTA (3358)
customerservice@deltafaucet.com

En Canadá:

Masco Canada Limited, Plumbing Group
Technical Service Centre
350 South Edgeware Road
St. Thomas, Ontario, Canada N5P 4L1
1 800 345 DELTA (3358)
customerservice@mascocanada.com

La prueba de compra (recibo original) del comprador original debe ser disponible a Delta Faucet Company para todos los reclamos a menos que el comprador haya registrado el producto con Delta Faucet Company. Esta garantía le aplica sólo a las llaves de agua de Delta® fabricadas después del 1 de enero 1995 e instaladas en los Estados Unidos de América, Canadá y México.

DELTA FAUCET COMPANY NO SE HACE RESPONSABLE POR CUALQUIER DAÑO ESPECIAL, INCIDENTAL O CONSECUENTE (INCLUYENDO LOS GASTOS DE MANO DE OBRA) POR EL INCUMPLIMIENTO DE CUALQUIER GARANTÍA EXPRESA O IMPLÍCITA DE LA LLAVE DE AGUA. Algunos estados/provincias no permiten la exclusión o limitación de daños especiales, incidentales o consecuentes, por lo que estas limitaciones y exclusiones pueden no aplicarle a usted. Esta garantía le otorga derechos legales. Usted también puede tener otros derechos que varían de estado/provincia a estado/provincia.

Esta es la garantía exclusiva por escrito de Delta Faucet Company y la garantía no es transferible.

Si usted tiene alguna pregunta o inquietud acerca de nuestra garantía, por favor, vea nuestra sección de preguntas frecuentes FAQ sobre la garantía en www.deltafaucet.com, también puede enviarnos un correo electrónico a customerservice@deltafaucet.com o llámenos al número que le corresponda anteriormente incluido.

© 2015 Masco Corporación de Indiana

Garantie limitée des robinets Delta®

Pièces et finis

Toutes les pièces (à l'exception des composants électroniques et des piles) et tous les finis de ce robinet Delta® sont protégés contre les défauts du matériau et les vices de fabrication par une garantie qui est consentie au premier acheteur et qui demeure valide tant que celui-ci demeure propriétaire de la maison dans laquelle le robinet a été installé. Dans le cas d'une utilisation commerciale, la garantie est de 5 ans à compter de la date d'achat.

Composants électroniques et piles (le cas échéant)

Si ce robinet Delta® comporte des composants électroniques, ces composants (à l'exception des piles) sont protégés contre les défauts du matériau et les vices de fabrication par une garantie consentie au premier acheteur qui est d'une durée de 5 ans à compter de la date d'achat. Dans le cas d'une utilisation commerciale, la garantie est d'un an à compter de la date d'achat. Aucune garantie ne couvre les piles.

Delta Faucet Company remplacera, GRATUITEMENT, pendant la période de garantie applicable, toute pièce ou tout fini qui présentera une déficience du matériau et/ou un vice de fabrication pour autant que le robinet ait été installé, utilisé et entretenu normalement. S'il est impossible de réparer ou de remplacer le robinet, Delta Faucet Company pourra décider de rembourser le prix d'achat du produit pour autant que celui-ci lui soit retourné. **Il s'agit de vos seuls recours.**

Delta Faucet Company recommande de confier l'installation et la réparation à un plombier professionnel. Nous vous recommandons également d'utiliser uniquement des pièces de rechange authentiques Delta®.

Delta Faucet Company se dégage de toute responsabilité à l'égard des dommages causés au robinet en raison d'un mauvais usage, d'un usage abusif, de la négligence ou de l'utilisation d'une méthode d'installation, de maintenance ou de réparation incorrecte ou inadéquate, y compris les dommages résultant du non-respect des instructions de nettoyage et d'entretien applicables.

Pour obtenir des pièces de rechange, veuillez appeler au numéro applicable ci-dessous ou écrire à l'adresse applicable ci-dessous.

Aux États-Unis et au Mexique :

Delta Faucet Company
Product Service
55 E. 111th Street
Indianapolis, IN 46280
1-800-345-DELTA (3358)
customerservice@deltafaucet.com

Au Canada:

Masco Canada Limited, Plumbing Group
Technical Service Centre
350 South Edgeware Road
St. Thomas, Ontario, Canada N5P 4L1
1-800-345-DELTA (3358)
customerservice@mascocanada.com

La preuve d'achat (reçu original) du premier acheteur doit être présentée à Delta Faucet Company pour toutes les demandes en vertu de la garantie, sauf si le produit a été enregistré auprès de Delta Faucet Company. La présente garantie s'applique uniquement aux robinets Delta® fabriqués après le 1er janvier 1995 et installés aux États-Unis d'Amérique, au Canada et au Mexique.

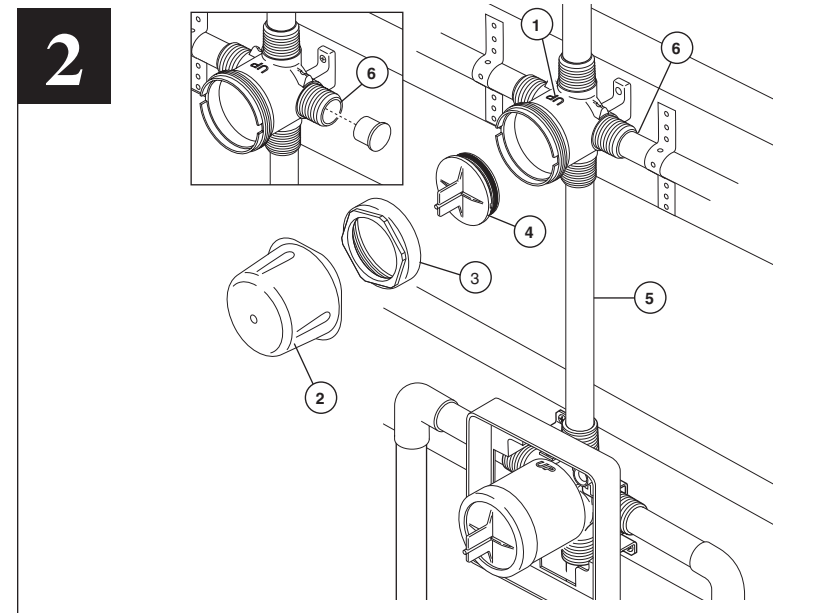
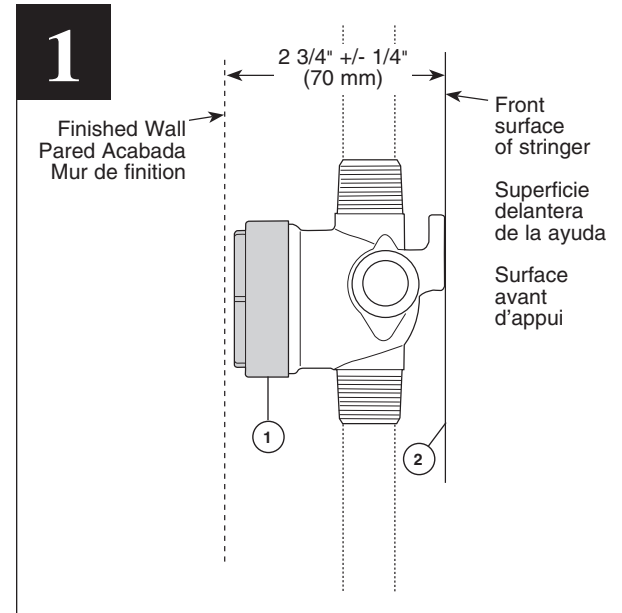
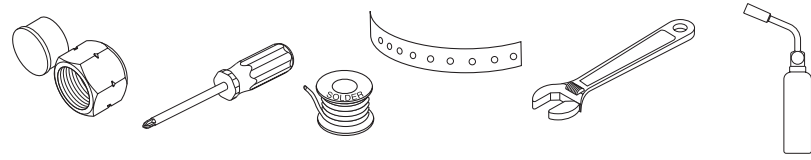
DELTA FAUCET COMPANY SE DÉGAGE DE TOUTE RESPONSABILITÉ À L'ÉGARD DES DOMMAGES PARTICULIERS, CONSÉCUTIFS OU INDIRECTS (Y COMPRIS LES FRAIS DE MAIN-D'OEUVRE) QUI POURRAIENT RÉSULTER DE LA VIOLATION D'UNE GARANTIE IMPLÍCITE OU EXPLICITE QUELCONQUE SUR LE ROBINET. Dans les États ou les provinces où il est interdit de limiter ou d'exclure la responsabilité à l'égard des dommages particuliers, consécutifs ou indirects, les limites et les exclusions susmentionnées ne s'appliquent pas. La présente garantie vous donne des droits précis qui peuvent varier selon l'État ou la province où vous résidez.

La présente garantie écrite est la garantie exclusive offerte par Delta Faucet Company et elle n'est pas transférable.

Si vous avez des questions ou des préoccupations en ce qui concerne notre garantie, veuillez consulter la page Warranty FAQs à www.deltafaucet.com, faire parvenir un courriel à customerservice@deltafaucet.com ou nous appeler au numéro applicable.

© 2015 Division de Masco Indiana

You may need
Usted puede necesitar
Articles dont vous pouvez avoir besoin:



Consider the plumbing configuration and type and thickness of your finished wall before placing your stringer back plate (2).
 If the diverter is installed independent of the main valve, the distance from the stringer to the finished wall is 2 3/4" (70 mm) +/- 1/4" (6 mm). When finished, the front of the bonnet nut (1) should be sub flush to the finished wall.

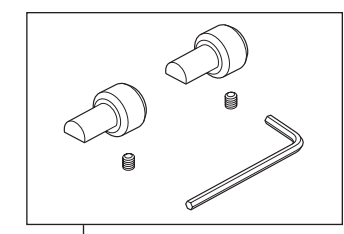
DIVERTER INSTALLATION
Shut off water supplies! Install the diverter so that the word "UP" (1) is facing upward as shown. Connect diverter to the desired valve. Remove plasterguard (2), bonnet (3), test cap and o-ring (4) prior to soldering. After soldering be sure to reinstall all parts. Line pressure can only be tested if the test cap and o-ring are installed and the bonnet is secured. Solder copper tubing (5) from diverter inlet to shower outlet of valve. Once secure, connect desired outlet devices. **Note: Plug right port (6) if using a 3-function diverter cartridge.**

Considere la configuración de la plomería y el tipo y grosor de su pared acabada antes de colocar su placa trasera de soporte o larguero (2).
 Si el desviador se instala independientemente de la válvula principal, la distancia del larguero a la pared acabada es 2 3/4" (70 mm) +/- 1/4" (6 mm). Cuando haya terminado, el frente de la tuerca tapa (1) debe estar al ras con la pared acabada.

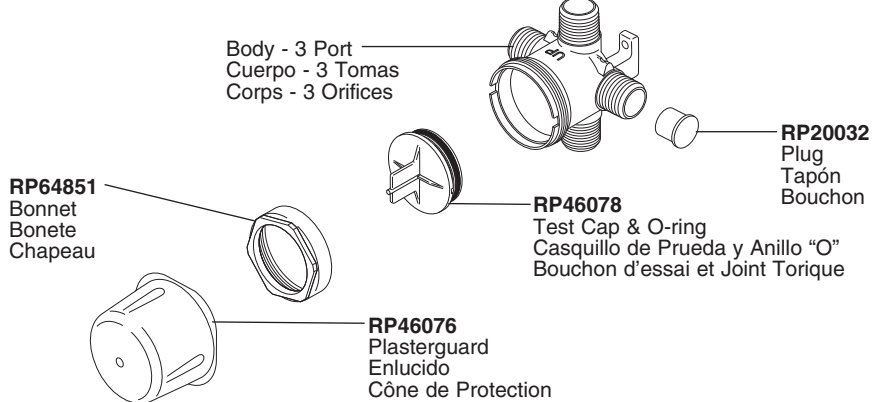
INSTALACIÓN DEL DESVIADOR
¡Cierre los suministros de agua! Instale el desviador de manera que la palabra "UP" (1) quede hacia arriba como se muestra. Conecte el desviador a la válvula deseada. Quite el protector de yeso (2), el capuchón (3), la tapa de prueba y la junta tórica (4) antes de soldar. Después de soldar asegúrese de reinstalar todas las piezas. Sólo se puede probar la presión en las líneas si la tapa de prueba y la junta tórica están instaladas y el casquete están fijos. Suelde la tubería de cobre (5) de la entrada del desviador a la salida de la válvula de la regadera. Una vez que esté fijo, conecte los aparatos deseados. **Nota: Enchufe la toma derecho (6) si usando un cartucho desviador de 3 funciones.**

Examinez la configuration de la plomberie ainsi que le type et l'épaisseur du mur fini avant d'installer la traverse (2).
 Si vous installez l'inverseur séparément de la soupape principale, l'écart entre la traverse et le mur fini est de 2 3/4 po (70 mm) +/- 1/4 po (6 mm). Après l'installation, l'avant de l'écrou-chapeau (1) doit être très légèrement en retrait par rapport à la surface du mur fini.

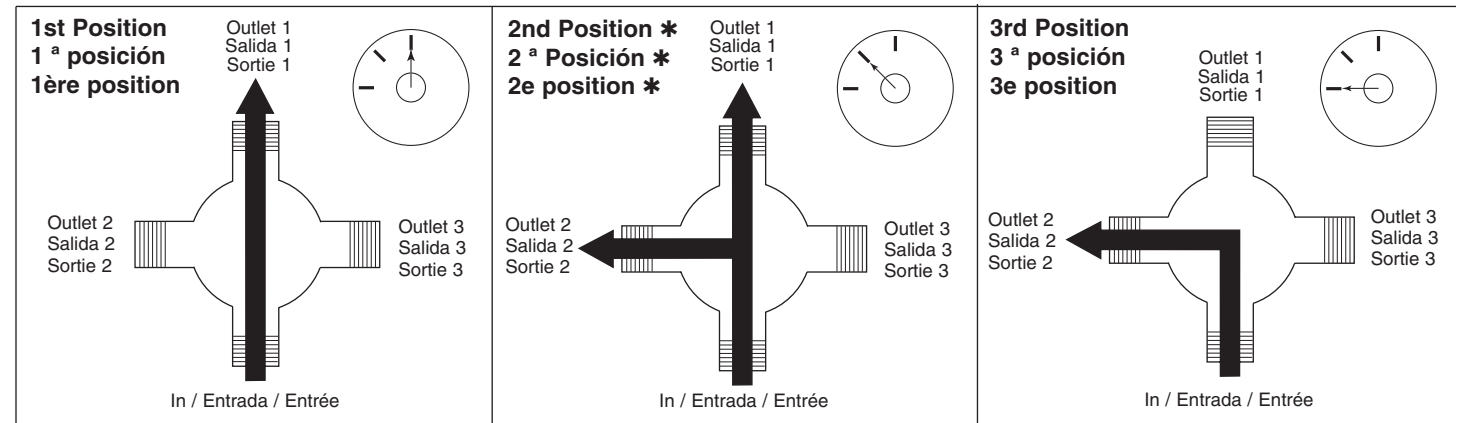
INSTALLATION DE L'INVERSEUR
Interrompez l'alimentation en eau! Installez l'inverseur de sorte que le mot « UP » (1) se trouve orienté vers le haut comme le montre la figure. Raccordez l'inverseur au robinet. Enlevez le protecteur (2), le chapeau (3), le capuchon d'essai et le joint torique (4) avant de souder. Après le soudage, prenez soin de remettre tous les éléments en place. L'essai sous pression peut être réalisé uniquement si le capuchon d'essai et les joints toriques sont installés et si le chapeau est fixé. Soudez le tube en cuivre (5) entre l'entrée de l'inverseur et la sortie du robinet destinée à la douche. Raccordez ensuite les sorties requises. **Note : Vous devez obturer l'orifice droite (6) si vous utilisez une cartouche d'inverseur à trois fonctions.**



RP75137
 Diverter Extension Kit (Not Included) (adds 1" depth)
 Kit de extensión para desviador (No incluido) (se agrega 1 pulgada de profundidad)
 Trousse de rallonge pour inverseur (Non inclus) (ajoute une profondeur de 1 po)

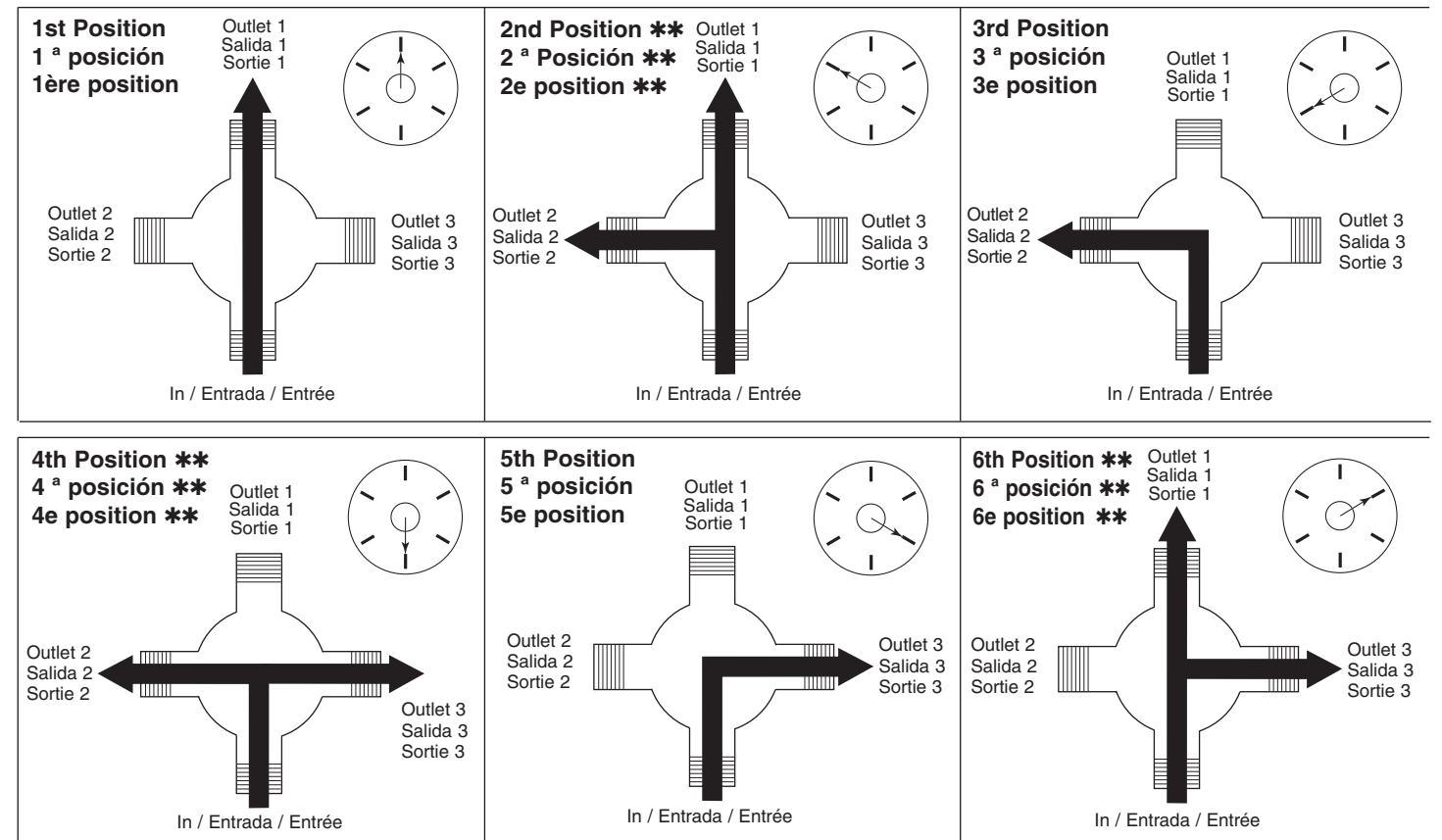


Water Flow For 3 Function Diverter / Flujo de agua para Desviadores de 3 posiciones / Écoulement de l'eau pour les inverseurs à 3 positions



*** Shared positions do not exist in non-shared cartridges.**
*** Los ajustes o posiciones compartidas no existen en los cartuchos no-compartidos.**
*** Comme leur nom l'indique, les cartouches sans position partagée ne comportent aucune position partagée.**

Water Flow For 6 Function Diverter / Flujo de agua para Desviadores de 6 posiciones / Écoulement de l'eau pour les inverseurs à 6 positions



**** Shared positions do not exist in non-shared cartridges.**
**** Los ajustes o posiciones compartidas no existen en los cartuchos no-compartidos.**
**** Comme leur nom l'indique, les cartouches sans position partagée ne comportent aucune position partagée.**



51833

3-PORT, THREE AND SIX FUNCTION DIVERTER TRIM

ACCESORIO PARA EL DESVIADOR DE TRES
Y SEIS FUNCIONES, DE 3 TOMAS

ÉLÉMENTS DE FINITION DE L'INVERSEUR À
3 ORIFICES, À TROIS ET SIX FONCTIONS

Models/Modelos/Modèles

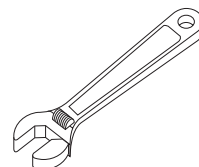
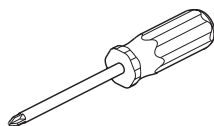
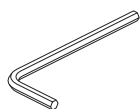
T11800, T11851, T11853, T11855, T11859,
T11861, T11864, T11867, T11885, T11886,
T11892, T11894, T11897-LHP, T11900, T11951,
T11953, T11955, T11959, T11961, T11964, T11967,
T11985, T11986, T11992, T11994, T11997-LHP,
T11852, T11952

Series/Series/Seria

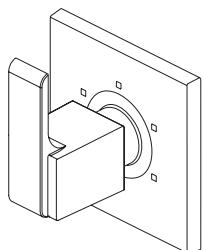
Write purchased model number here.
Escriba aquí el número del modelo comprado.
Inscrivez le numéro de modèle ici.

Rough-in R11000 required for installation
Rough-in R11000 necesario para la instalación
Rough-in R11000 requis pour l'installation

You may need/Usted puede necesitar/Articles dont vous pouvez avoir besoin:



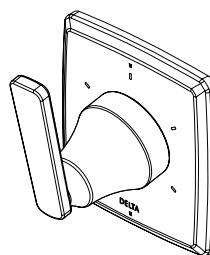
Addison™



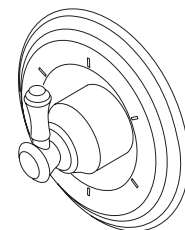
Ara™



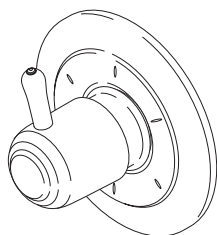
Arzo®



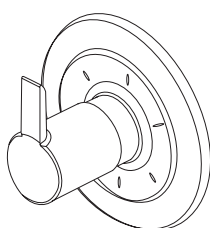
Ashlyn®



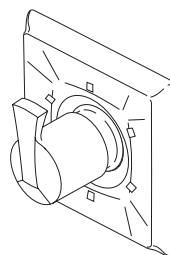
Cassidy™



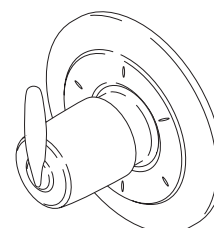
Classic



Compel®



Dryden™



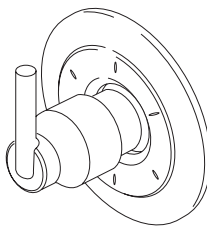
Grail®



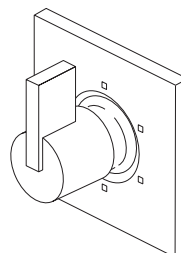
Linden™



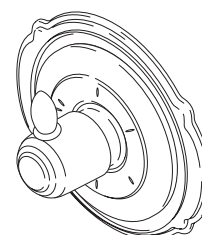
Tesla™



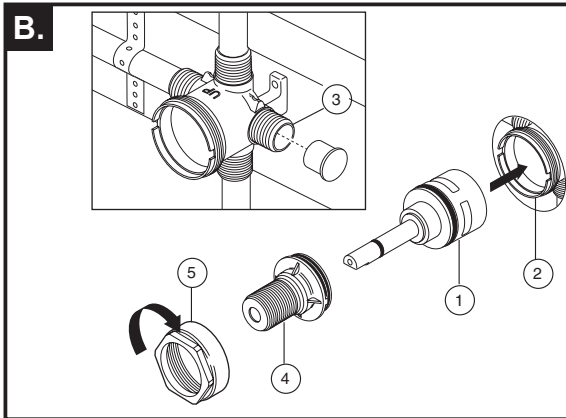
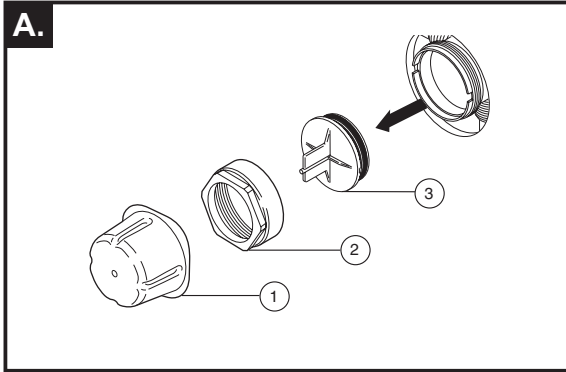
Trinsic®



Vero®



Victorian®

1

A. When the diverter is ready for trim remove plasterguard (1), bonnet (2) and test cap (3) from the body.

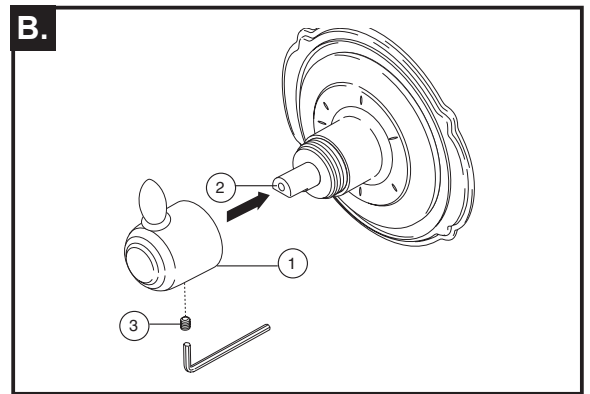
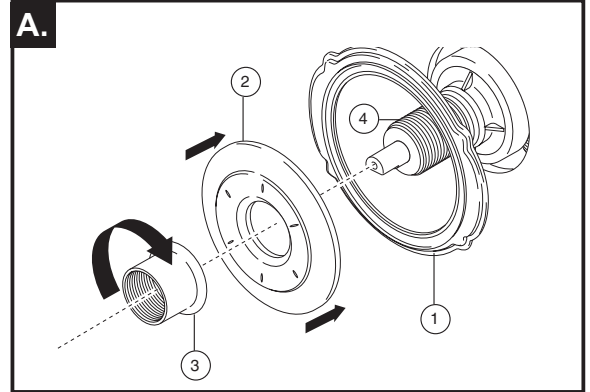
B. Install cartridge assembly (1) into body (2) assuring that the locating pin on the bottom of the cartridge aligns with mating hole in body. **Note: Right port (3) must be plugged if using a 3 function diverter cartridge.** Slide threaded sleeve (4) over cartridge stem aligning tabs on sleeve with slots in body (2) and tighten securely with bonnet (5).

A. Cuando el desviador está listo el accesorio quite el protector de yeso (1), en capuchón (2) y la tapa de prueba (3) del cuerpo.

B. Instale el ensamble del cartucho (1) en el cuerpo (2) asegurándose que la clavija localizadora en la parte inferior del cartucho está alineada con el agujero correspondiente en el cuerpo. **Nota: La toma de agua en la derecha (3) debe estar tapada si se utiliza un cartucho desviador de 3 funciones.** Deslice la manga enroscada (4) sobre la espiga del cartucho alineando las lengüetas en la manga con las ranuras en el cuerpo (2) y apriete bien con el capuchón (5).

A. Lorsque l'inverseur est prêt à recevoir les éléments de finition, retirez le protecteur (1), le chapeau (2) et le capuchon d'essai (3) du corps.

B. Installez la cartouche (1) dans le corps (2) en prenant soin de faire correspondre l'axe de détrompage au bas de la cartouche avec le trou dans le corps. **Note: Vous devez obturer l'orifice droit (3) si vous utilisez une cartouche d'inverseur à trois fonctions.** Glissez le manchon fileté (4) sur la tige de la cartouche en prenant soin de faire correspondre les pattes sur le manchon avec les rainures dans le corps (2) et serrez-le solidement avec le chapeau (5).

2

A. Place and hold backplate (1) (T11855/T11955 Only) and escutcheon (2) over diverter. Thread trim sleeve (3) onto threaded sleeve (4) until escutcheon and backplate are secure against wall. Do not overtighten.

B. Place handle (1) onto stem (2) and tighten set screw (3).

A. Coloque y sostenga la placa posterior (1) (T11855/ T11955 solamente) y la chapa de cubierta (2) sobre el desviador. Enrosque la manga de accesorio (3) en la manga enroscada (4) hasta que la chapa de cubierta y la placa posterior queden fijadas contra la pared. No apriete demasiado.

B. Coloque la manija (1) en la espiga (2) y apriete el tornillo de ajuste (3).

A. Placez la plaque arrière (1) (T11855/T11955 seulement) et la plaque de finition (2) sur l'inverseur et maintenez-les en place. Vissez le manchon de finition (3) sur le manchon fileté (4) jusqu'à ce que la plaque de finition et la plaque arrière soient immobilisées contre le mur. Évitez de serrer excessivement.

B. Placez la manette (1) sur la tige (2) et serrez la vis de calage (3).

▲ Specify Finish
Especifique el Acabado
Précisez le Fini

RP71717
2-Function, Non-Shared Diverter Cartridge
Cartucho desviador no-compartido de 2 funciones
Cartouche d'inverseur non partagé, 2 fonctions

RP51918
3-Function Cartridge
Cartucho del desviador, 3 funciones
Cartouche d'inverseur, 3 fonctions

RP71718
3-Function, Non-Shared Diverter Cartridge
Cartucho desviador no-compartido de 3 funciones
Cartouche d'inverseur non partagé, 3 fonctions

RP51919
6-Function Cartridge
Cartucho del desviador, 6 funciones
Cartouche d'inverseur, 6 fonctions

Body - 3 Port
Cuerpo - 3 Tomas
Corps - 3 Orifices

RP75137
Diverter Extension Kit (not included)
(adds 1" depth)
Kit de extensión para desviador (no incluido)
(se agrega 1 pulgada de profundidad)
Trousse de rallonge pour inverseur (non inclus)
(ajoute une profondeur de 1 po)

RP20032
Plug
Tapón
Bouchon

RP46078
Test Cap & O-rings
Casquillo de Prueba y Anillos "O"
Bouchon d'essai et Joints Torique

RP64851
Bonnet
Bonete
Chapeau

RP49264 ▲
Handle w/Set Screw
Manija con Tornillo de Ajuste
Manette avec Vis de Calage

RP51917
Trim Sleeve
Manga del Accesorio
Manchon de Finition

RP42414
Backplate
Chapa Posterior
Plaque arrière

RP42413 ▲
6-Function Escutcheon
Chapetón (6 funciones)
Rosace (6 fonctions)

RP51924 ▲
3-Function Escutcheon
Chapetón (3 funciones)
Rosace (3 fonctions)

RP73365 ▲
Handle w/Set Screw
Manija con Tornillo de Ajuste
Manette avec Vis de Calage

RP53444 ▲
Handle w/Set Screw
Manija con Tornillo de Ajuste
Manette avec Vis de Calage

RP70642 ▲
Handle w/Set Screw
Manija con Tornillo de Ajuste
Manette avec Vis de Calage

RP78703 ▲
Handle w/Set Screw
Manija con Tornillo de Ajuste
Manette avec Vis de Calage

RP73366 ▲
Handle w/Set Screw
Manija con Tornillo de Ajuste
Manette avec Vis de Calage

RP42409 ▲
Handle w/Set Screw
Manija con Tornillo de Ajuste
Manette avec Vis de Calage

RP78704 ▲
6-Function Escutcheon
Chapetón (6 funciones)
Rosace (6 fonctions)

RP78705 ▲
3-Function Escutcheon
Chapetón (3 funciones)
Rosace (3 fonctions)

RP52590 ▲
Handle w/Set Screw
Manija con Tornillo de Ajuste
Manette avec Vis de Calage

RP51917
Trim Sleeve
Manga del Accesorio
Manchon de Finition

RP52594 ▲
6-Function Escutcheon
Chapetón (6 funciones)
Rosace (6 fonctions)

RP52592 ▲
3-Function Escutcheon
Chapetón (3 funciones)
Rosace (3 fonctions)

RP26865 ▲
Set Screw
Tornillo de Ajuste
Vis de Calage

RP77063 ▲
Handle
Manija
Manette

RP77065 ▲
6-Function Escutcheon
Chapetón (6 funciones)
Rosace (6 fonctions)

RP77064 ▲
3-Function Escutcheon
Chapetón (3 funciones)
Rosace (3 fonctions)

▲ Specify Finish
Especifique el Acabado
Précisez le Fini

RP51917
Trim Sleeve
Manga del Accesorio
Manchon de Finition

RP53445 ▲
Arzo® Handle w/Set
Screw
Manija con Tornillo
de Ajuste - Arzo®
Manette avec Vis de
Calage - Arzo®

RP62962 ▲
Vero® Handle w/Set
Screw
Manija con Tornillo de
Ajuste - Vero®
Manette avec Vis de
Calage - Vero®

RP75443 ▲
Ara™ Handle w/Set
Screw
Manija con Tornillo
de Ajuste - Ara™
Manette avec Vis de
Calage - Ara^{MC}

RP61656 ▲
Addison™ Handle w/Set
Screw
Manija con Tornillo de
Ajuste - Addison™
Manette avec Vis de
Calage - Addison^{MC}

H595 ▲
Cassidy™ Handle w/Set Screw
Manija con Tornillo de Ajuste - Cassidy™
Manette avec Vis de Calage - Cassidy^{MC}

H597 ▲
Cassidy™ Handle w/Set
Screw
Manija con Tornillo de
Ajuste - Cassidy™
Manette avec Vis de
Calage - Cassidy^{MC}

RP72561 ▲
Buttons & Set Screws
Botones y Tornillos de Ajuste
Boutons et Vis de Calage

RP51917
Trim Sleeve
Manga del Accesorio
Manchon de Finition

RP51917
Trim Sleeve
Manga del Accesorio
Manchon de Finition

RP72560 ▲
Cassidy™ 6-Function Escutcheon
Chapetón (6 funciones) - Cassidy™
Rosace (6 fonctions)- Cassidy^{MC}

RP72559 ▲
Cassidy™ 3-Function Escutcheon
Chapetón (3 funciones) - Cassidy™
Rosace (3 fonctions)- Cassidy^{MC}

RP72561 ▲
Buttons & Set Screws
Botones y Tornillos de Ajuste
Boutons et Vis de Calage

H598 ▲
Cassidy™ Handle w/Set Screw
Manija con Tornillo de Ajuste - Cassidy™
Manette avec Vis de Calage - Cassidy^{MC}

RP53446 ▲
Arzo® 6-Function Escutcheon
Chapetón (6 funciones) - Arzo®
Rosace (6 fonctions)- Arzo®

RP53447 ▲
Arzo® 3-Function Escutcheon
Chapetón (3 funciones) - Arzo®
Rosace (3 fonctions)- Arzo®

RP62381 ▲
Vero® / Ara™
6-Function Escutcheon
Chapetón (6 funciones) -
Vero® / Ara™
Rosace (6 fonctions)-
Vero® / Ara^{MC}

RP62380 ▲
Vero® / Ara™
3-Function Escutcheon
Chapetón (3 funciones) -
Vero® / Ara™
Rosace (3 fonctions)-
Vero® / Ara^{MC}

RP61658 ▲
Addison™ 6-Function Escutcheon
Chapetón (6 funciones) -
Addison™
Rosace (6 fonctions)- Addison^{MC}

RP61657 ▲
Addison™ 3-Function Escutcheon
Chapetón (3 funciones) - Addison™
Rosace (3 fonctions)- Addison^{MC}

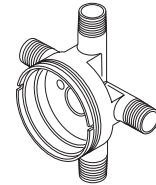
RP51917
Trim Sleeve
Manga del Accesorio
Manchon de Finition

RP72561 ▲
Buttons & Set Screws
Botones y Tornillos de Ajuste
Boutons et Vis de Calage

Using New Trim With Rough R11600

Para el uso de un accesorio nuevo
con tuberías internas R11600

Utilisation de la nouvelle finition avec les soupapes R11600



R11600

If you have **R11600** installed you will need to order **RP42410** (cartridge assembly), **RP37902** (3 function stem extender) OR **RP37903** (6 function stem extender) and **RP37890** (extension screw) to use the new trim.
Note: RP42412 (trim sleeve) may be needed for installations between 3.5 and 4.0 inches deep from the finished wall surface.

Si usted tiene instalado la pieza **R11600**, necesitará ordenar **RP42410** (ensamble del cartucho), **RP37902** (extensión de espiga de 3 funciones) o **RP37903** (extensión de espiga de 6 funciones) y **RP37890** (tornillo de extensión) para utilizar el accesorio nuevo.

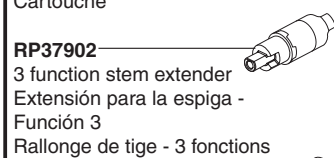
Nota: La pieza RP42412 (manga de accesorio) puede ser necesaria para las instalaciones de 3.5 a 4.0 pulgadas de profundidad desde la superficial de la pared acabada.

Si vous avez installé l'article **R11600**, vous devez commander les articles **RP42410** (cartouche), **RP37902** (rallonge de tige pour soupape à 3 fonctions) OU **RP37903** (rallonge de tige pour soupape à 6 fonctions) et **RP37890** (vis de rallonge) et les utiliser avec la nouvelle finition.

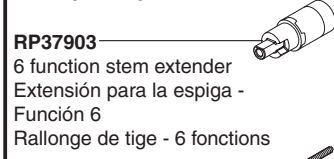
Note: L'article RP42412 (manchon de finition) peut être nécessaire pour les installations présentant un écart de 3,5 à 4 pouces de profondeur par rapport à la surface finie du mur.



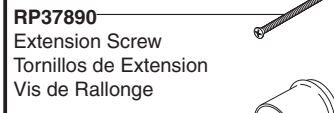
RP42410
Cartridge Assembly
Ensamble del Cartucho
Cartouche



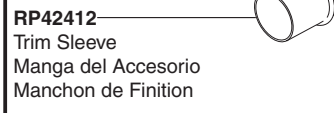
RP37902
3 function stem extender
Extensión para la espiga -
Función 3
Rallonge de tige - 3 fonctions



RP37903
6 function stem extender
Extensión para la espiga -
Función 6
Rallonge de tige - 6 fonctions

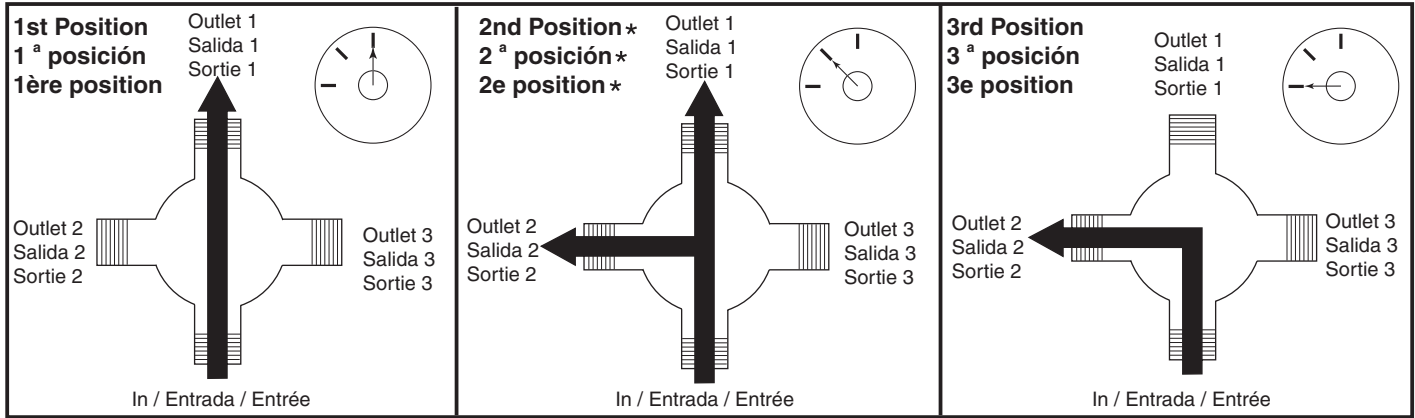


RP37890
Extension Screw
Tornillos de Extension
Vis de Rallonge



RP42412
Trim Sleeve
Manga del Accesorio
Manchon de Finition

Water Flow For 3 Function Diverter / Flujo de agua para Desviadores de 3 posiciones / Écoulement de l'eau pour les inverseurs à 3 positions

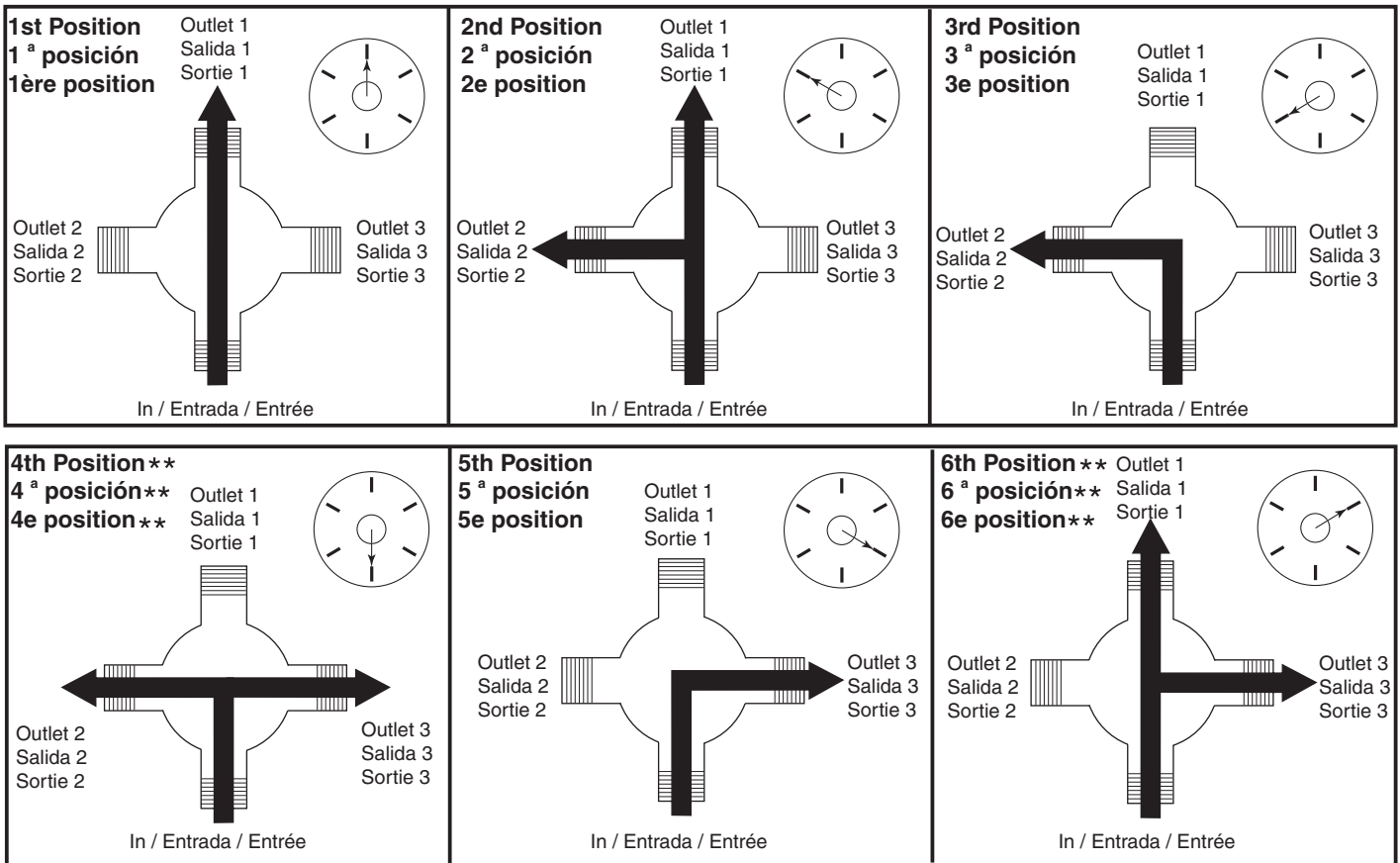


* Shared positions do not exist in non-shared cartridges.

* Los ajustes o posiciones compartidas no existen en los cartuchos no-compartidos.

* Comme leur nom l'indique, les cartouches sans position partagée ne comportent aucune position partagée.

Water Flow For 6 Function Diverter / Flujo de agua para Desviadores de 6 posiciones / Écoulement de l'eau pour les inverseurs à 6 positions



** Shared positions do not exist in non-shared cartridges.

** Los ajustes o posiciones compartidas no existen en los cartuchos no-compartidos.

** Comme leur nom l'indique, les cartouches sans position partagée ne comportent aucune position partagée.

CLEANING AND CARE

Care should be given to the cleaning of this product. Although its finish is extremely durable, it can be damaged by harsh abrasives or polish. To clean, simply wipe gently with a damp cloth and blot dry with a soft towel.

LIMPIEZA Y CUIDADO DE SU LLAVE

Tenga cuidado al ir a limpiar este producto. Aunque su acabado es sumamente durable, puede ser afectado por agentes de limpieza o para pulir abrasivos. Para limpiar su llave, simplemente frótelas con un trapo húmedo y luego séquelas con una toalla suave.

INSTRUCTIONS DE NETTOYAGE

Il faut le nettoyer avec soin. Même si son fini est extrêmement durable, il peut être abîmé par des produits fortement abrasifs ou des produits de polissage. Il faut simplement le frotter doucement avec un chiffon humide et le sécher à l'aide d'un chiffon doux.

CLEANING AND CARE

Care should be given to the cleaning of this product. Although its finish is extremely durable, it can be damaged by harsh abrasives or polish. To clean, simply wipe gently with a damp cloth and blot dry with a soft towel.

Limited Warranty on Delta® Faucets

Parts and Finish

All parts (other than electronic parts and batteries) and finishes of this Delta® faucet are warranted to the original consumer purchaser to be free from defects in material and workmanship for as long as the original consumer purchaser owns the home in which the faucet was first installed or, for commercial users, for 5 years from the date of purchase.

Electronic Parts and Batteries (if applicable)

Electronic parts (other than batteries), if any, of this Delta® faucet are warranted to the original consumer purchaser to be free from defects in material and workmanship for 5 years from the date of purchase or, for commercial users, for one year from the date of purchase. No warranty is provided on batteries.

Delta Faucet Company will replace, FREE OF CHARGE, during the applicable warranty period, any part or finish that proves defective in material and/or workmanship under normal installation, use and service. If repair or replacement is not practical, Delta Faucet Company may elect to refund the purchase price in exchange for the return of the product. **These are your exclusive remedies.**

Delta Faucet Company recommends using a professional plumber for all installation and repair. We also recommend that you use only genuine Delta® replacement parts.

Delta Faucet Company shall not be liable for any damage to the faucet resulting from misuse, abuse, neglect or improper or incorrectly performed installation, maintenance or repair, including failure to follow the applicable care and cleaning instructions.

Replacement parts may be obtained by calling the applicable number below or by writing to:

In the United States and Mexico:

Delta Faucet Company
Product Service
55 E. 111th Street
Indianapolis, IN 46280
1-800-345-DELTA (3358)
customerservice@deltafaucet.com

In Canada:

Masco Canada Limited, Plumbing Group
Technical Service Centre
350 South Edgeware Road
St. Thomas, Ontario, Canada N5P 4L1
1-800-345-DELTA (3358)
customerservice@mascocanada.com

Proof of purchase (original sales receipt) from the original purchaser must be made available to Delta Faucet Company for all warranty claims unless the purchaser has registered the product with Delta Faucet Company. This warranty applies only to Delta® faucets manufactured after January 1, 1995 and installed in the United States of America, Canada and Mexico.

DELTA FAUCET COMPANY SHALL NOT BE LIABLE FOR ANY SPECIAL, INCIDENTAL OR CONSEQUENTIAL DAMAGES (INCLUDING LABOR CHARGES) FOR BREACH OF ANY EXPRESS OR IMPLIED WARRANTY ON THE FAUCET. Some states/provinces do not allow the exclusion or limitation of special, incidental or consequential damages, so these limitations and exclusions may not apply to you. This warranty gives you special legal rights. You may also have other rights which vary from state/province to state/province.

This is Delta Faucet Company's exclusive written warranty and the warranty is not transferable.

If you have any questions or concerns regarding our warranty, please view our Warranty FAQs at www.deltafaucet.com, email us at customerservice@deltafaucet.com or call us at the applicable number above.

© 2015 Masco Corporation of Indiana

LIMPIEZA Y CUIDADO DE SU LLAVE

Tenga cuidado al ir a limpiar este producto. Aunque su acabado es sumamente durable, puede ser afectado por agentes de limpieza o para pulir abrasivos. Para limpiar su llave, simplemente frótelas con un trapo húmedo y luego séquela con una toalla suave.

Garantía Limitada de las Llaves de Agua (grifos) Delta®

Piezas y acabado

Todas las piezas (salvo las pilas), si hay, de esta llave de agua Delta® están garantizadas al consumidor comprador original de estar libres de defectos en material y fabricación durante el tiempo que el comprador original posea la vivienda en la que la llave de agua fue originalmente instalada o, para los consumidores comerciales, durante 5 años a partir de la fecha de compra.

Componentes electrónicos y pilas (si aplicable)

Todas las piezas (salvo las pilas), si hay, de esta llave de agua Delta® están garantizadas al consumidor comprador original de estar libres de defectos en materiales y fabricación durante 5 años a partir de la fecha de compra o, para los usuarios comerciales, por un año a partir de la fecha de compra. No se garantizan las pilas.

Delta Faucet Company reemplazará, SIN CARGO, durante el período de garantía aplicable, cualquier pieza o acabado que pruebe tener defectos de material y/o fabricación bajo la instalación, uso y servicio normal. Si la reparación o su reemplazo no es práctico, Delta Faucet Company tiene la opción de reembolsarle su dinero por la cantidad del precio de compra a cambio de la devolución del producto. **Estos son sus únicos recursos.**

Delta Faucet Company recomienda que use los servicios de un plomero profesional para todas las instalaciones y reparaciones. También le recomendamos que utilice sólo las piezas de repuesto originales de Delta®.

Delta Faucet Company no será responsable por cualquier daño a la llave de agua que resulte del mal uso, abuso, negligencia o mala instalación o mantenimiento o reparación incorrecta, incluyendo el no seguir los cuidados aplicables y las instrucciones de limpieza.

Las piezas de repuesto se pueden obtener llamando al número correspondiente más abajo, o escribiendo a:

En los Estados Unidos y México:

Delta Faucet Company
Product Service
55 E. 111th Street
Indianapolis, IN 46280
1 800 345 DELTA (3358)
customerservice@deltafaucet.com

En Canadá:

Masco Canada Limited, Plumbing Group
Technical Service Centre
350 South Edgeware Road
St. Thomas, Ontario, Canada N5P 4L1
1 800 345 DELTA (3358)
customerservice@mascocanada.com

La prueba de compra (recibo original) del comprador original debe ser disponible a Delta Faucet Company para todos los reclamos a menos que el comprador haya registrado el producto con Delta Faucet Company. Esta garantía le aplica sólo a las llaves de agua de Delta® fabricadas después del 1 de enero 1995 e instaladas en los Estados Unidos de América, Canadá y México.

DELTA FAUCET COMPANY NO SE HACE RESPONSABLE POR CUALQUIER DAÑO ESPECIAL, INCIDENTAL O CONSECUENTE (INCLUYENDO LOS GASTOS DE MANO DE OBRA) POR EL INCUMPLIMIENTO DE CUALQUIER GARANTÍA EXPRESA O IMPLÍCITA DE LA LLAVE DE AGUA. Algunos estados/provincias no permiten la exclusión o limitación de daños especiales, incidentales o consecuentes, por lo que estas limitaciones y exclusiones pueden no aplicarle a usted. Esta garantía le otorga derechos legales. Usted también puede tener otros derechos que varían de estado/provincia a estado/provincia.

Esta es la garantía exclusiva por escrito de Delta Faucet Company y la garantía no es transferible.

Si usted tiene alguna pregunta o inquietud acerca de nuestra garantía, por favor, vea nuestra sección de preguntas frecuentes FAQ sobre la garantía en www.deltafaucet.com, también puede enviarnos un correo electrónico a customerservice@deltafaucet.com o llámenos al número que le corresponda anteriormente incluido.

© 2015 Masco Corporación de Indiana

INSTRUCTIONS DE NETTOYAGE

Il faut le nettoyer avec soin. Même si son fini est extrêmement durable, il peut être abîmé par des produits fortement abrasifs ou des produits de polissage. Il faut simplement le frotter doucement avec un chiffon humide et le sécher à l'aide d'un chiffon doux.

Garantie limitée des robinets Delta®

Pièces et finis

Toutes les pièces (à l'exception des composants électroniques et des piles) et tous les finis de ce robinet Delta® sont protégés contre les défauts du matériau et les vices de fabrication par une garantie qui est consentie au premier acheteur et qui demeure valide tant que celui-ci demeure propriétaire de la maison dans laquelle le robinet a été installé. Dans le cas d'une utilisation commerciale, la garantie est de 5 ans à compter de la date d'achat.

Composants électroniques et piles (le cas échéant)

Si ce robinet Delta® comporte des composants électroniques, ces composants (à l'exception des piles) sont protégés contre les défauts du matériau et les vices de fabrication par une garantie consentie au premier acheteur qui est d'une durée de 5 ans à compter de la date d'achat. Dans le cas d'une utilisation commerciale, la garantie est d'un an à compter de la date d'achat. Aucune garantie ne couvre les piles.

Delta Faucet Company remplacera, GRATUITEMENT, pendant la période de garantie applicable, toute pièce ou tout fini qui présentera une défectuosité du matériau et/ou un vice de fabrication pour autant que le robinet ait été installé, utilisé et entretenu normalement. S'il est impossible de réparer ou de remplacer le robinet, Delta Faucet Company pourra décider de rembourser le prix d'achat du produit pour autant que celui-ci lui soit retourné. **Il s'agit de vos seuls recours.**

Delta Faucet Company recommande de confier l'installation et la réparation à un plombier professionnel. Nous vous recommandons également d'utiliser uniquement des pièces de rechange authentiques Delta®.

Delta Faucet Company se dégage de toute responsabilité à l'égard des dommages causés au robinet en raison d'un mauvais usage, d'un usage abusif, de la négligence ou de l'utilisation d'une méthode d'installation, de maintenance ou de réparation incorrecte ou inadéquate, y compris les dommages résultant du non-respect des instructions de nettoyage et d'entretien applicables.

Pour obtenir des pièces de rechange, veuillez appeler au numéro applicable ci-dessous ou écrire à l'adresse applicable ci-dessous.

Aux États-Unis et au Mexique :

Delta Faucet Company
Product Service
55 E. 111th Street
Indianapolis, IN 46280
1-800-345-DELTA (3358)
customerservice@deltafaucet.com

Au Canada:

Masco Canada Limited, Plumbing Group
Technical Service Centre
350 South Edgeware Road
St. Thomas, Ontario, Canada N5P 4L1
1-800-345-DELTA (3358)
customerservice@mascocanada.com

La preuve d'achat (reçu original) du premier acheteur doit être présentée à Delta Faucet Company pour toutes les demandes en vertu de la garantie, sauf si le produit a été enregistré auprès de Delta Faucet Company. La présente garantie s'applique uniquement aux robinets Delta® fabriqués après le 1er janvier 1995 et installés aux États-Unis d'Amérique, au Canada et au Mexique.

DELTA FAUCET COMPANY SE DÉGAGE DE TOUTE RESPONSABILITÉ À L'ÉGARD DES DOMMAGES PARTICULIERS, CONSÉCUTIFS OU INDIRECTS (Y COMPRIS LES FRAIS DE MAIN-D'ŒUVRE) QUI POURRAIENT RÉSULTER DE LA VIOLATION D'UNE GARANTIE IMPLICITE OU EXPLICITE QUELCONQUE SUR LE ROBINET. Dans les États ou les provinces où il est interdit de limiter ou d'exclure la responsabilité à l'égard des dommages particuliers, consécutifs ou indirects, les limites et les exclusions susmentionnées ne s'appliquent pas. La présente garantie vous donne des droits précis qui peuvent varier selon l'État ou la province où vous résidez.

La présente garantie écrite est la garantie exclusive offerte par Delta Faucet Company et elle n'est pas transférable.

Si vous avez des questions ou des préoccupations en ce qui concerne notre garantie, veuillez consulter la page Warranty FAQs à www.deltafaucet.com, faire parvenir un courriel à customerservice@deltafaucet.com ou nous appeler au numéro applicable.

© 2015 Division de Masco Indiana