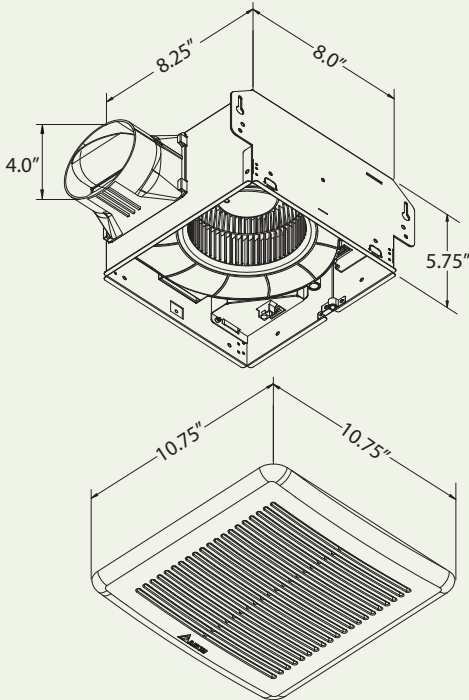




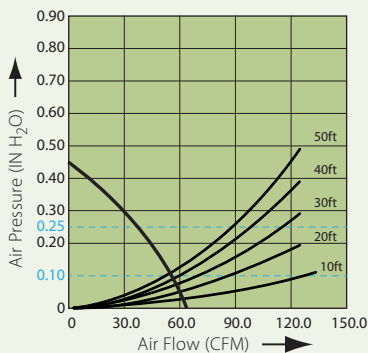
## Delta BreezGreenBuilder Ventilation Specifications

VFB050C4A1  
(50 CFM)

### Dimensions



### Fan Curve



### Description

Low noise ceiling mount ventilating fan with super low profile rated for continuous running. Evaluated by Underwriter Laboratories and conforms to both UL and cUL safety standards.

### Motor/Blower

- Power Rating of 120volts/60Hz.
- DC Brushless motor engineered to run continuously.
- Motor equipped with thermal cutoff fuse.
- Removable with permanently lubricated plug-in motor.

### Housing

- Galvanized steel body.
- Detachable 4" diameter duct adapter.
- Built in backdraft damper.
- Easy installation.

### Grille

- Attractive design using ABS material.
- Attaches directly to housing with torsion springs.

### LED Indicator

- Turn on power switch to operate ON/OFF, and LED indicator is Green.

### Warranty

- 3 year limited warranty.

### Features

- For ceiling mount only, air flow of 50 CFM ( $\pm 10\%$ ) and  $< 0.3$  Sones at 0.1" static pressure.
- Power consumption approximately 4 Watts with an efficiency rating approximately 13.1 CFM/Watt at 0.1" static pressure.
- Duct diameter no less than 4".
- UL and cUL listed for tub/shower enclosure when used with GFCI branch circuit wiring.

### DC Motor Technology

- Built in soft start function to increase bearings life.
- Automatically powers OFF when impeller is locked abnormally.

### Specifications

VFB050C4A1	4" Duct (Standard)	
Static Pressure (Inches w.g.)	0.1	0.25
Air Flow (CFM)	50	36
Sones	<0.3	1.0
Power Consumption (Watts)	4.0	5.2
Energy Efficiency (CFM/Watt)	13.1	7.1
Speed (RPM)	821	1124
Current (Amps)	0.04 @ 120 Vac	
Power Rating (V/Hz)	120/60	