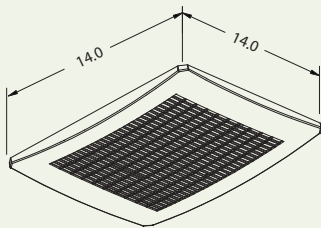
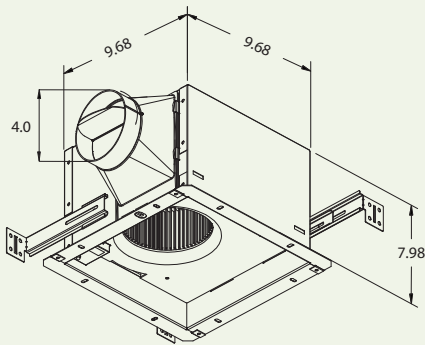




# Delta Breez Ventilation Dual Speed Fan Specifications

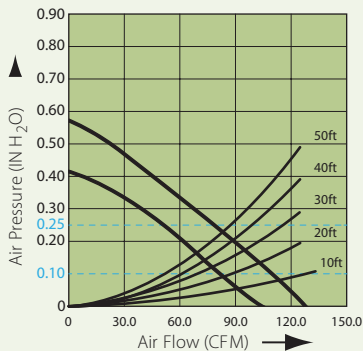
VFB25AX  
(80/110 CFM)

## Dimensions



UNIT: INCH

## Fan Curve



## Description

Low noise ceiling mount dual speed ventilating fan rated for continuous running. Evaluated by Underwriter Laboratories and conforms to both UL and cUL safety standards.

## Motor/Blower

- DC Brushless motor engineered to run continuously.
- Motor equipped with thermal cutoff fuse.
- Permanently lubricated motor.

## Housing

- Galvanized steel body.
- Detachable 4" diameter duct adapter.
- Easy installation.

## Grille

- Attractive design using ABS material.
- Attaches directly to housing with torsion springs.

## Warranty

- 3 year limited warranty.

## Features

- Green and amber LED indicator lights show low and high speed modes.

### 80 CFM

- For ceiling mount only, low speed air flow of 80 CFM ( $\pm 10\%$ ) and 0.5 Sones at 0.1" static pressure.
- Power consumption approximately 7.7 Watts with an efficiency approximately 10.40 CFM/Watt at 0.1" static pressure.

### 110 CFM

- For ceiling mount only, high speed air flow of 110 CFM ( $\pm 10\%$ ) and approximately 1.0 Sones at 0.1" static pressure.
- Power consumption approximately 16.0 Watts with an efficiency rating approximately 7.00 CFM/Watt at 0.1" static pressure.

## DC Motor Technology

- Allows fan to operate in dual speed mode.
- Built in soft start function to increase bearings life.
- Automatically powers OFF when impeller is locked abnormally.

## Specifications

VFB25AX	4" Duct (Standard)			
	High		Low	
Fan Speed				
Static Pressure (Inches w.g.)	0.1	0.25	0.1	0.25
Air Flow (CFM)	110	90.9	80	53.3
Sones	1.0	N/A	0.5	N/A
Power Consumption (Watts)	16.0	18.1	7.7	8.7
Energy Efficiency (CFM/Watt)	7.00	4.99	10.40	6.11
Speed (RPM)	1015	1189	890	1082
Current (Amps)	0.22 @ 110 Vac		0.12 @ 110 Vac	
Power Rating (V/Hz)	110~220/50~60			