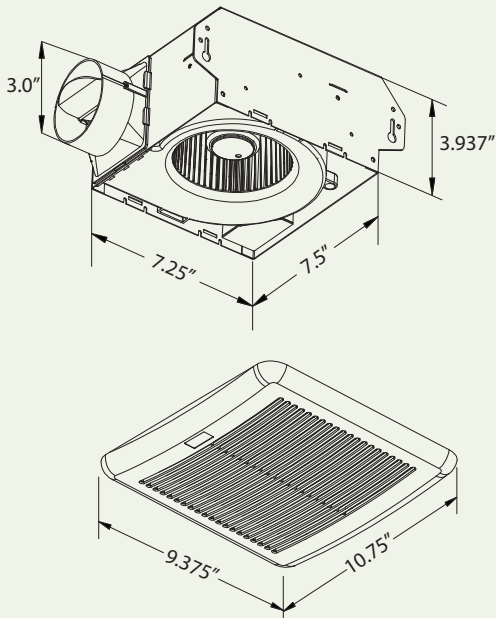




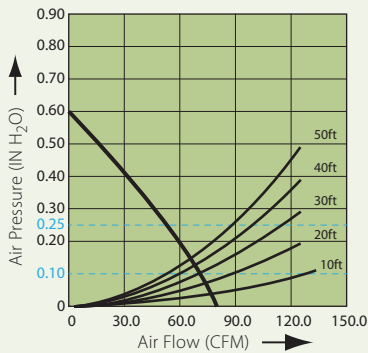
Delta BreezSlim Ventilation Super Low Profile Fan Specifications

VFB070B3A1
(70 CFM)

Dimensions



Fan Curve



Description

Low noise ceiling mount ventilating fan with super low profile rated for continuous running. Evaluated by Underwriter Laboratories and conforms to both UL and cUL safety standards.

Motor/Blower

- Power Rating of 120volts/60Hz.
- DC Brushless motor engineered to run continuously.
- Motor equipped with thermal cutoff fuse.
- Removable with permanently lubricated plug-in motor.

Housing

- Galvanized steel body.
- Detachable 3" diameter duct adapter.
- Built in backdraft damper.
- Easy installation.

Grille

- Attractive design using ABS material.
- Attaches directly to housing with torsion springs.

Warranty

- 3 year limited warranty.

Features

- For ceiling mount only, air flow of 70 CFM ($\pm 10\%$) and 2.0 Sones at 0.1" static pressure.
- Power consumption approximately 13.1 Watts with an efficiency rating approximately 5.8 CFM/Watt at 0.1" static pressure.
- Duct diameter no less than 3".
- UL and cUL listed for tub/shower enclosure when used with GFCI branch circuit wiring.

DC Motor Technology

- Built in soft start function to increase bearings life.
- Automatically powers OFF when impeller is locked abnormally.

Specifications

VFB070B3A1	3" Duct (Standard)	
Static Pressure (Inches w.g.)	0.1	0.25
Air Flow (CFM)	70	54
Sones	2.0	1.5
Power Consumption (Watts)	13.1	11.5
Energy Efficiency (CFM/Watt)	5.8	5.0
Speed (RPM)	1239	1369
Current (Amps)	0.29 @ 120 Vac	
Power Rating (V/Hz)	120/60	