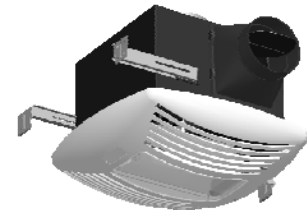


INSTALLATION AND OPERATING INSTRUCTIONS

VFB25 LIGHT SERIES FAN / LIGHT / NIGHT LIGHT



READ AND SAVE THESE INSTRUCTIONS

General Safety Information

1. Do not install this ventilating fan where air temperature may exceed 40°C (104°F).
2. Make sure that the electric service supply voltage is AC 120V, 60Hz.
3. Follow all local electrical and safety codes, as well as the Nation Electrical Code (NEC) and the Occupation Safety and Healthy Act (OSHA).
4. Always disconnect the power source before working on or near the ventilating fan, motor or junction box.
5. Protect the power cord from sharp edges, oil, grease, hot surfaces, chemicals or other objects.
6. Do not kink the power cord.
7. Do not install the unit where ducts are configured as shown in Fig. A.
8. Provide suction parts with proper ventilation.
9. This unit is UL listed for use over a bathtub or shower when installed in a GFCI protected branch circuit.
10. These ventilating fans are intended for residential usage only.

WARNING

TO REDUCE THE RISK OF FIRE, ELECTRIC SHOCK, OR INJURY TO PERSONS, OBSERVE THE FOLLOWING:

1. Use this unit only in the manner intended by the manufacturer. If you have any questions, contact the manufacturer.
2. Before servicing or cleaning unit, switch power off at service panel and lock the service disconnecting means to prevent power from being switched on accidentally. When the service disconnecting means cannot be locked, securely fasten a prominent warning device, such as a tag, to the service panel.
3. Installation work and electrical wiring must be done by qualified person(s) in accordance with all applicable codes and standards, including fire-rated construction.
4. Sufficient air is needed for proper combustion and exhausting of gases through the flue (chimney) of fuel burning equipment to prevent back drafting. Follow the heating equipment manufacturer's guideline and safety standards such as those published by the National Fire Protection Association (NFPA), and the American Society for Heating Refrigeration and Air Conditioning Engineers (ASHRAE) and local code authorities.
5. When cutting or drilling into wall or ceiling, do not damage electrical wiring and other hidden utilities.
6. Ducted ventilating fan must always be vented to the outdoors.
7. If this unit is to be installed over a tub or shower, it must be marked as appropriate for the application and be connected to a GFCI (Ground Fault Circuit Interrupter) – protected

- branch circuit.
8. These models are UL listed for tub and shower enclosures.
9. Do not use this unit with any other solid-state control device. Solid-state controls may cause harmonic distortion, which can cause motor humming noise.
10. Before servicing or cleaning unit, switch power off at service panel and lock the service disconnecting means to prevent power from being switched on accidentally. When the service disconnecting means cannot be locked, securely fasten a prominent warning device, such as a tag, to the service panel.
11. NEVER place a switch where it can be reached from a tub or shower.
12. Not to be installed in a ceiling thermally insulated to a value greater than R40. (This is required for installation in Canada only)

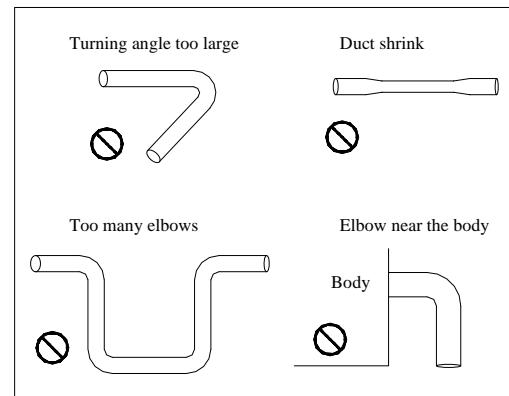


Fig. A

CAUTION

1. To reduce the risk of electric shock, please disconnect the electrical supply circuit to the fan before installing light kit.
2. For general ventilating use only. Do not use to exhaust hazardous or explosive materials and vapors.
3. Not for use in cooking area. (Fig. B)
4. This product must be properly grounded

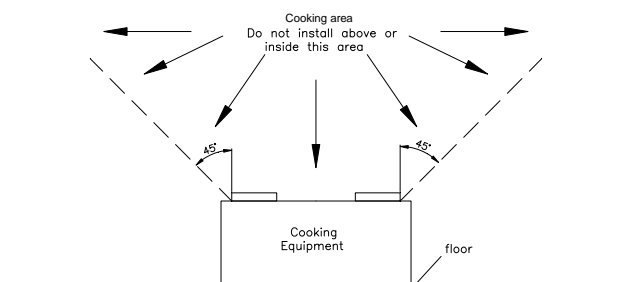

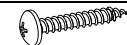


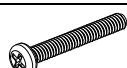
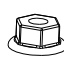




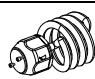
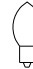
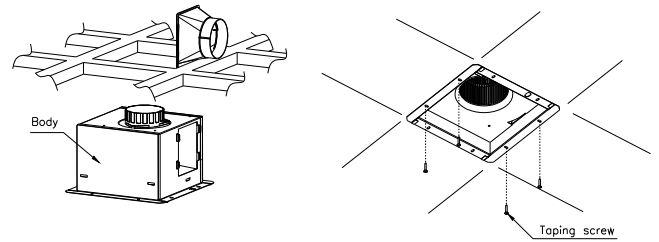


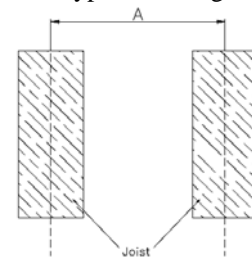
Fig. B

SUPPLIED ACCESSORIES

Part name	Appearance	Quantity
Grille		1
Long Screw (M4x25)		6
Screw (M4x6)		1
Screw (M4x12)		3
Screw (M4x30 Black)		2
Nut (M4x4.4)		1
Suspension bracket I (6.10 inch)		1
Suspension bracket II (11.81 inch)		1
Suspension bracket III (13.98 inch)		1
Grille bracket (9.68 inch)		1
GU24 base bulb lamp (26W)		1
E12 base bulb lamp (4W)		1

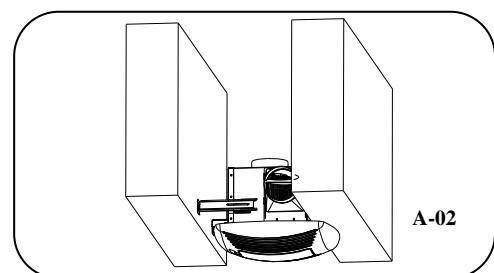
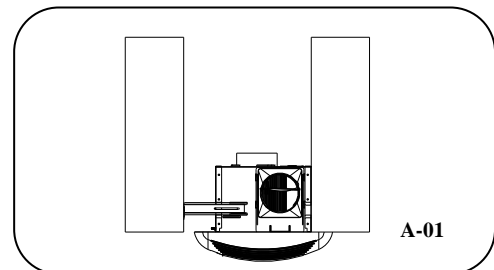

B. Install with joist

1. Choose the installation type according to the fig as below:



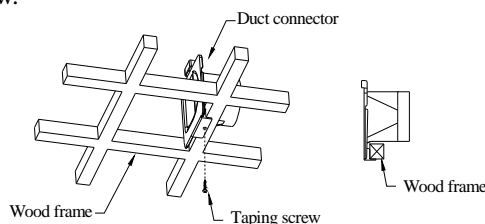
Spacing A on center joists	Insert Suspension bracket
12.0 inch	Refer to Fig A-01, A-02
16.0 inch	Refer to Fig B-01, B-02
19.2 inch	Refer to Fig B-01, B-02
24.0 inch	Refer to Fig B-01, B-02

- 1-1 Type I – 12 inches between joists


INSTALLATIONS
A. Install with wood frame

Model No.	VFB25ADL	VFB25ACL
Install Dim. (in.)	10.2 × 10.2	10.2 × 10.2

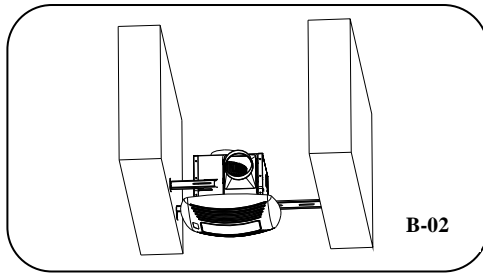
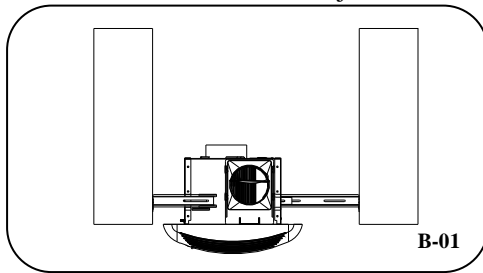
1. Body installation
 - 1-1. Construct the wood frame(not provided) with 30mm square bar and attach it to the ceiling joist.
 - 1-2. Attach the duct connector to the wood frame with tapping screw.



- 1-3. Insert the body into the wood frame and connect it to the duct connector. Secure the body on wood frame with tapping screws.
- 1-4. Follow step 2 to 5 of installation to complete the installation work.

- 1-1.1 Insert the suspension bracket into the bracket cover of adaptor side and the back of the fan body.
- 1-1.2 Insert the fan between joists. Make sure the fan body is level and perpendicular with the joist.
- 1-1.3 Ensure the distance between ceiling and fan body for the thickness of grille.
- 1-1.4 Secure the suspension bracket to joists by using screw.
- 1-1.5 Secure the suspension bracket to fan body by using screw.
- 1-1.6 Follow step 2 to 5 of installation to complete the installation work.

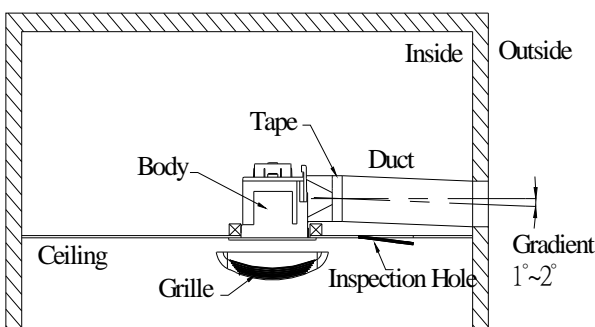
1-2 Type II – 16/19.2/24 inches between joists



- 1-2.1 Insert the suspension bracket into the bracket cover of adaptor side and the back of the fan body.
- 1-2.2 Insert the fan between joists. Make sure the fan body is level and perpendicular with the joist.
- 1-2.3 Ensure the distance between ceiling and fan body for the thickness of grille.
- 1-2.4 Secure the suspension bracket to joists by using screw.
- 1-2.5 Secure the suspension bracket to fan body by using screw.
- 1-2.6 Follow step 2 to 5 of installation to complete the installation work.

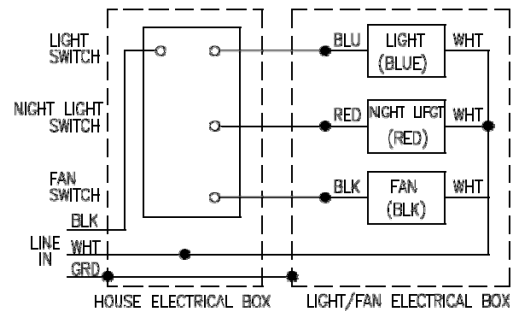
2. Duct connection

- 2-1. Insert the duct into the duct connector and tape all ductworks connection to make them secure and air tight.
- 2-2. Install the duct with a gradient $1^{\circ}\sim 2^{\circ}$ to the outside.

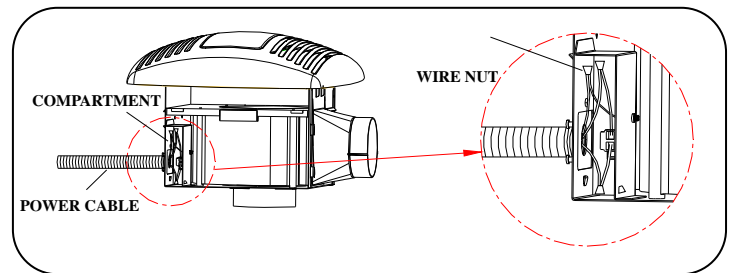


3. Connect wiring

- 3-1. Follow all local electrical and safety codes.
- 3-2. NEVER place a switch where it can be reached from a tub or shower.
- 3-3. Connect wires as shown in wiring diagrams.



- 3-4. Using wire nuts, connect house power cable to ventilating fan, light and night light wires.

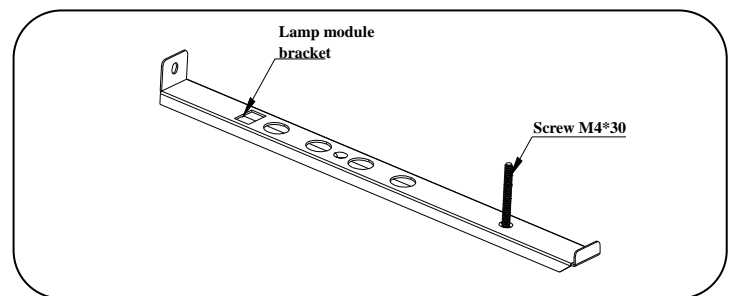


- 3-5. 14 AWG (2.1 mm²) is the smallest conductor that shall be used for branch-circuit wiring.

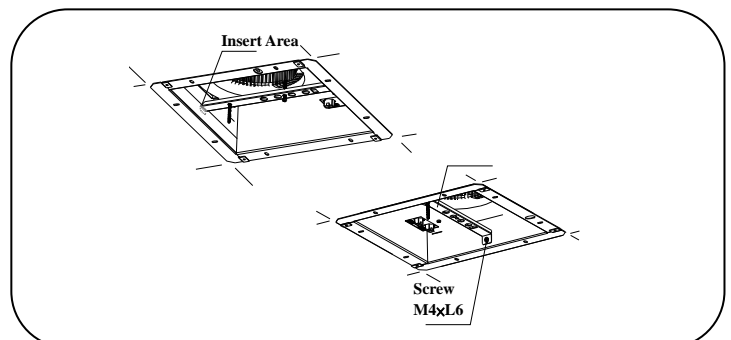
4. Test run and grille attachment

- 4-1. When the power on, check for abnormal vibration or sound.
- 4-2. Mount the grille to the grille bracket by mount screw (M4X30*2 PCS)
- 4-2-1

Lock screw(M4*30) into the grille bracket, rotate around the screw out of bracket surface.

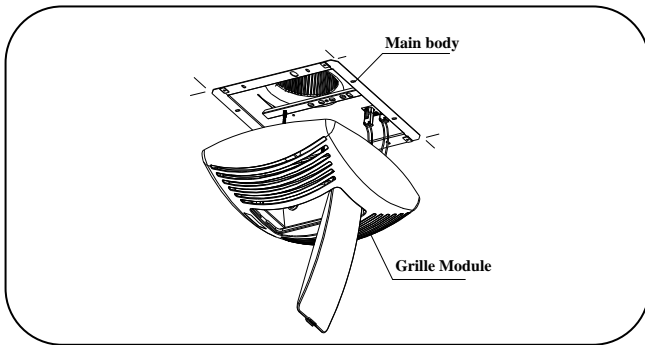


- 4-2-2
- Insert the grille bracket module(4-2-1) into the main body, and lock screw(M4xL6) to fixed the grille bracket.



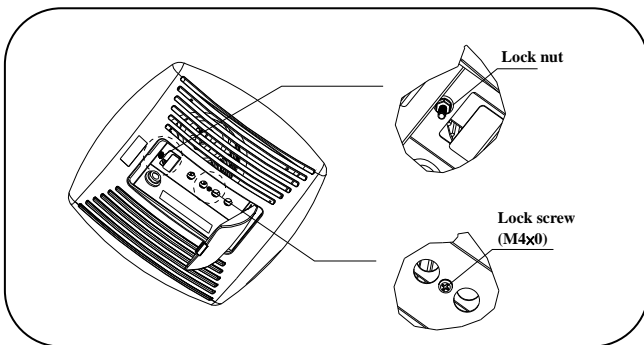
4.2-3

Mount the grille into main body by location screw.

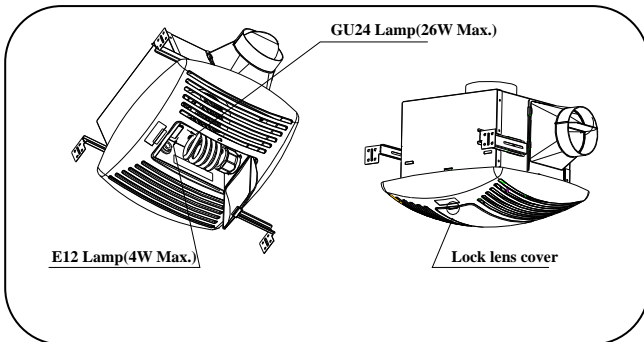


4.2-4

Fixed the grille on the main body by screw and nut respectively.



4.3. Install light bulbs and attach the cover.



5. Operation

Model: VFB25ADL, VFB25ACL

- 5-1. Turn on the power to operate fan ON or OFF.
- 5-2. Turn on the power to operate main light on/off.
- 5-3. Turn on the power to operate night light on/off.

MAINTENANCE

WARNING:

Disconnect power source before working on unit. Routine maintenance must be done every year.

CAUTION:

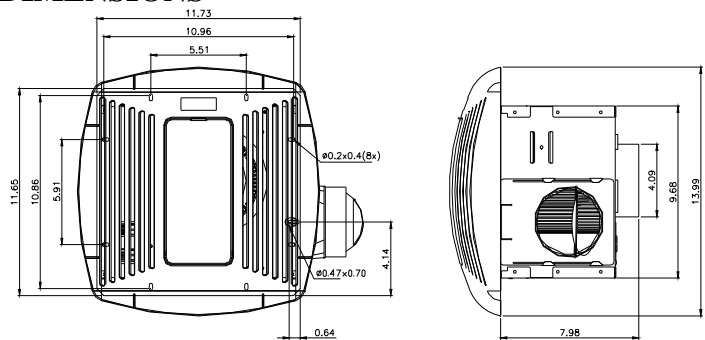
- 1. Never use gasoline, benzene, thinner or any other such chemicals for cleaning the ventilating fan.
- 2. Do not allow water to enter motor.

- 3. Do not soak resin parts in water over 60°C.

CLEANING

- 1. Pull down the spring to remove grille.
- 2. Wash and clean grille. (Use non-abrasive kitchen detergent, wipe dry with new cloth.)
- 3. Remove dust and dirt from ventilating fan using a vacuum cleaner.
- 4. Using a cloth dampened with kitchen detergent, remove any dirt from ventilating fan. Wipe dry with new cloth.
- 5. Replace grille.

DIMENSIONS



SPECIFICATIONS

Model No.	Voltage (V)	Frequency (Hz)	Power (W)	Air Flow @ 0.1SP (CFM)	Weight (lb.)	Note
VFB25ADL	120	60	48	110	9.6	Light /Night Light
VFB25ACL	120	60	40	80	9.6	Light /Night Light

WARRANTY

DELTA ELECTRONICS THREE YEAR LIMITED WARRANTY

Delta Electronics Inc. ("Delta Electronics") warrants to the original consumer purchaser in the USA that the Breez ventilation fan products will be free from defects in material or workmanship. This warranty is limited to three (3) years from the original date of purchase.

Limitations and Exclusions

- 1. During the warranty period, a replacement for any defective product will be supplied free of charge for installation by the consumer. The warranty provided herein does not cover charges for labor or other costs incurred in the troubleshooting, repair, removal, and installation service.
- 2. All returns of defective parts or products must include the product model number, and must be made through an authorized Delta Electronics distributor. Authorized returns must be shipped prepaid. Repaired or replacement products will be shipped by Delta Electronics F.O.B. shipping point.
- 3. Delta Electronics shall not be liable for any indirect, incidental, consequential, punitive, or special damages arising out of or in connection with products use or performance, regardless of the form of action whether in contract, tort (including negligence), strict product liability or otherwise.
- 4. This warranty does not extend to fluorescent lamp starters and tubes.
- 5. The warranty does not cover if user does not comply with manufacturer's installation manual.
- 6. To qualify for warranty service, you must notify Delta Electronics at the address or telephone number below.
- 7. Delta Electronics shall have no liability to the original owner-user with respect to any defect caused by abuse, misuse, neglect, improper transportation or storage, improper testing, improper installation, improper operation, improper use, improper maintenance, improper repair, improper alteration, improper modification, tampering or accident of products or parts thereof, or unusual deterioration or degradation of products or parts thereof due to a physical environment beyond the requirements of products' specifications.

Address: 4405 Cushing Parkway, Fremont, CA 94538
 US Toll Free Number: 1-888-979-9889