



Delta BreezSignature G2
Perfectly quiet. Perfectly green.

Delta BreezSignature G2 Series

SIG80	80 CFM Fan Single Speed	
SIG80L	80 CFM Fan/Light	💡
SIG80M*	80 CFM Fan with Motion Sensor	🚶
SIG80MLED*	80 CFM Fan/LED Light with Motion Sensor	🚶💡
SIG110	110 CFM Fan Single Speed	
SIG110L	110 CFM Fan/Light	💡
SIG110LED	110 CFM Fan/LED Light	💡
SIG110D*	110 CFM Fan with Dual Speed	⏸
SIG110DL*	110 CFM Fan/Light with Dual Speed	💡⏸
SIG110H*	110 CFM Fan with Humidity Sensor	💧
SIG110HL*	110 CFM Fan/Light with Humidity	💡💧

* Models have continuous run functionality at an adjustable low speed

The most efficient, quiet bathroom exhaust fan just got better. Welcome to Delta BreezSignature Generation 2

Signature G2 boasts <0.3 sone levels at 110 CFM and enhanced air flows at 0.25" static pressure. Add an LED indicator light so you know the fan is running, a fresh grille design, and the exceptional reliability and efficiency of Delta's DC brushless motor, and you have a winner. Signature G2 is available with adjustable humidity and speed controls, motion sensing capabilities, and a delay timer.



Fan only & Fan with Humidity Sensor/Dual Speed



Fan with Motion Sensor



Fan/Light/Night-Light Combo



Fan/LED Light/w/Motion Sensor LED Night-Light Combo

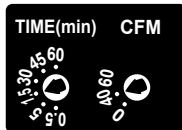
	Delta Breez	Market AC Motor
Energy Use (Watts)	8.2	28.4
Noise Level (Sones)	<0.3	0.8
Annual Energy Cost per Fan (24/7)¹	\$8.56	\$29.94

Innovative DC brushless motor design for long life, low noise, and low power consumption

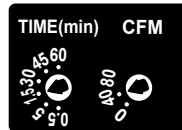
- Energy savings up to 71%²
- <0.3 sones - lowest noise level among competing fans
- Exceeds ENERGY STAR[®] requirement by 592% in energy efficiency³
- Motion-sensing, humidity-sensing, and dual-speed options available with user-adjustable continuous low speed

Control Options

SIG80M and SIG80MLED Controls



SIG110D and SIG110DL Controls



SIG110H Controls



SIG110HL Controls



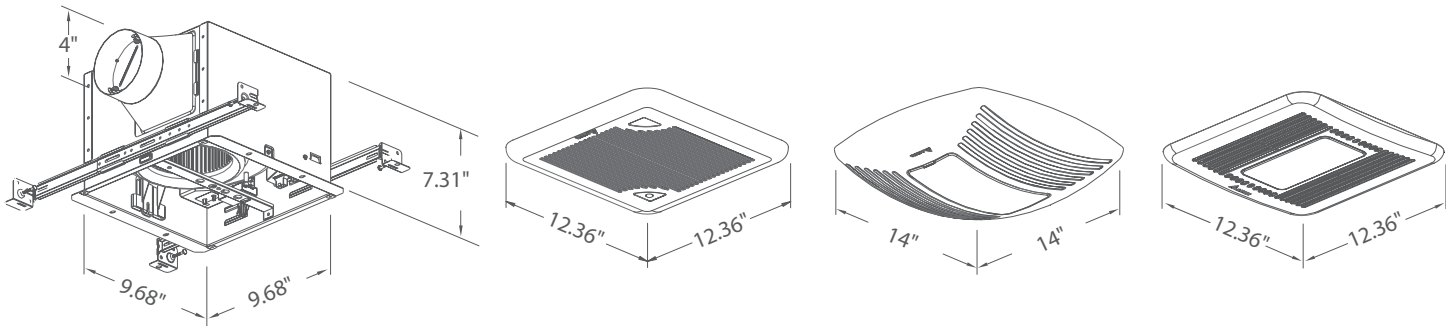
¹ Calculations based upon U.S. average retail electricity at and HVI testing labs. Actual results may vary
² Based upon BreezSignature G2 SIG80 vs. market AC motor fan
³ Based upon ENERGY STAR[®] criteria for residential ventilating fans



Specifications

Delta BreezSignature G2
Perfectly quiet. Perfectly green.

Choose a BreezSignature G2 fan and save energy and money without having to lift a finger.



Delta BreezSignature G2 Series	SIG80* / SIG80M						SIG80MLED						SIG80L		SIG110L		SIG110* / SIG110H / SIG110D						SIG110LED*		SIG110DL / SIG110HL					
	Continuous		Low Speed		Full Speed		Continuous		Low Speed		Full Speed		Full Speed		Full Speed		Continuous		Low Speed		Full Speed		Full Speed		Continuous		Low Speed		Full Speed	
Fan Speed	Continuous		Low Speed		Full Speed		Continuous		Low Speed		Full Speed		Full Speed		Full Speed		Continuous		Low Speed		Full Speed		Full Speed		Continuous		Low Speed		Full Speed	
Static Pressure (Inches w.g.)	0.1	0.25	0.1	0.25	0.1	0.25	0.1	0.25	0.1	0.25	0.1	0.25	0.1	0.25	0.1	0.25	0.1	0.25	0.1	0.25	0.1	0.25	0.1	0.25	0.1	0.25	0.1	0.25	0.1	0.25
Air Flow (CFM)	40	34	60	56	80	65	40	40	60	56	80	60	80	59	110	92	60	56	80	65	110	96	110	94	40	42	80	59	110	92
Sones	<0.3	0.3	<0.3	0.4	<0.3	0.5	<0.3	0.3	<0.3	0.4	<0.3	0.5	<0.3	0.5	0.4	0.8	<0.3	0.4	<0.3	0.5	<0.3	1.2	0.5	0.8	<0.3	0.4	<0.3	0.5	0.4	0.8
Power Consumption (Watts)	5.0	9.0	6.2	10.8	8.2	10.8	5.3	8.9	7.1	11.0	8.9	10.7	8.5	10.7	12.7	15.2	6.2	10.8	8.2	10.8	12.7	15.6	13.1	15.3	5.1	9.0	8.5	10.7	12.7	15.2
Energy Efficiency (CFM/Watt)	8.4	4.0	9.9	5.3	9.8	6.0	8.3	4.9	9.2	5.6	9.3	5.8	9.7	5.6	8.8	6.2	9.9	5.3	9.8	6.0	8.7	6.2	8.6	6.3	7.9	4.7	9.7	5.6	8.8	6.2
Current (Amps)	0.30 Max						0.40 Max						0.30 Max		0.38 Max		0.38 Max													
Power Rating (V/Hz)	120/60						120/60						120/60		120/60		120/60		120/60											
Mounting Opening	9.68" x 9.68"						9.68" x 9.68"						9.68" x 9.68"		9.68" x 9.68"		9.68" x 9.68"		9.68" x 9.68"											
Mounting Depth	7.31"						7.31"						7.31"		7.31"		7.31"		7.31"											
Grille Size	12.36" x 12.36"						12.36" x 12.36"						14" x 14"		12.36" x 12.36"		12.36" x 12.36"		14" x 14"											
Duct Diameter	4"						4"						4"		4"		4"		4"											
Lamp (Watts)	N/A						13						26		N/A		13		26											
Night Light (Watts)	N/A						2						4		N/A		2		4											
Lamp Style	N/A						LED module						GU24 CFL		N/A		LED module		GU24 CFL											
Color Temperature	N/A						2700K						2700K		N/A		2700K		2700K											
Lumens	N/A						800						1850		N/A		800		1850											
Automatic Operation	Yes - SIG80M (motion sensing)						Yes						N/A		Yes - SIG110H (humidity sensing)		N/A		Yes - SIG110HL (humidity sensing)											
Dual Speed Operation	Yes - SIG80M (motion sensing)						Yes						N/A		Yes - SIG110D (dual speed)		N/A		Yes - SIG110DL (dual speed)											
															Yes - SIG110H (humidity sensing)				Yes - SIG110HL (humidity sensing)											
Shipping Gross Weight (Lbs)	10						12.20						12.20		10		12.20		12.20											
cUL Tub/Shower Enclosure	Yes						Yes						Yes		Yes		Yes		Yes											
California Title 24 Compliant	Yes						Yes						Yes		Yes		Yes		Yes											
Mfg in ISO 9001 Certified Factory	Yes						Yes						Yes		Yes		Yes		Yes											
ENERGY STAR® Qualified	Yes						Yes						Yes		Yes		Yes		Yes											
ENERGY STAR Most Efficient 2014	Yes						Yes						Yes		Yes		Yes		Yes											
Warranty (Years)	3						3						3		3		3		3											

* Models SIG80, SIG110, and SIG110LED do not have 40, 60, or 80 CFM adjustable low speed
Design and specifications subject to change without notice.



4405 Cushing Parkway | Fremont, CA 94538
tel 1.888.979.9889 | www.deltabreez.com

Delta BreezSignature G2 Series - 06/14