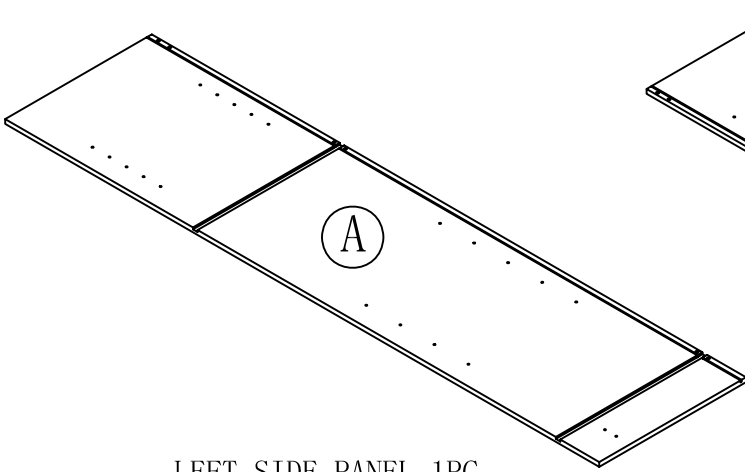


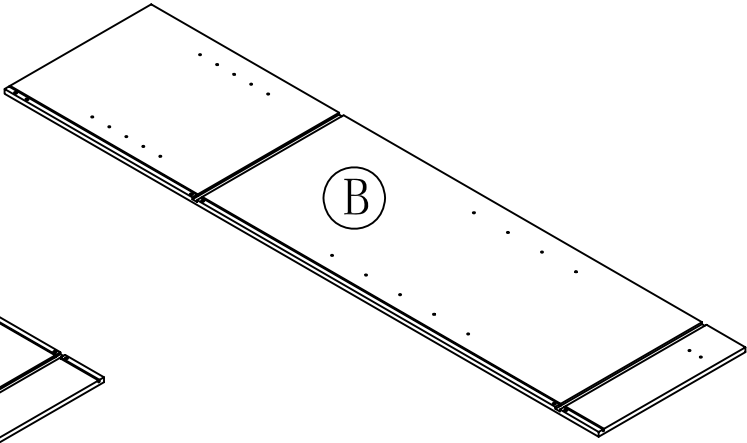
540682

ASSEMBLY INSTRUCTIONS

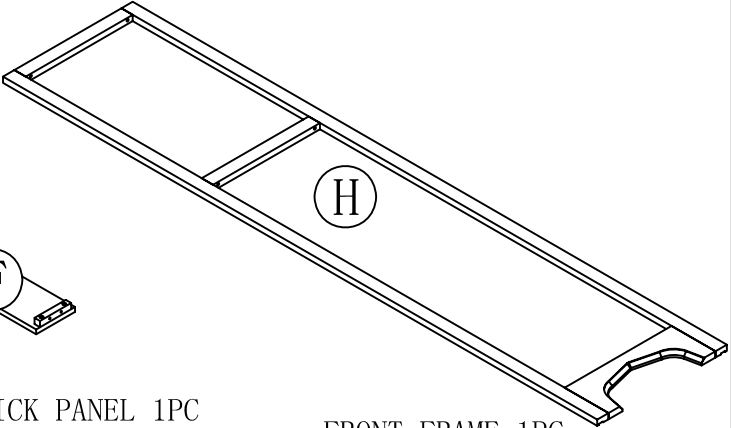
PARTS LIST:



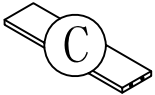
LEFT SIDE PANEL 1PC



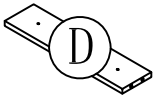
RIGHT SIDE PANEL 1PC



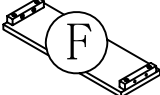
FRONT FRAME 1PC



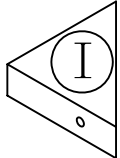
BACK UP CROSS BRACE 1PC



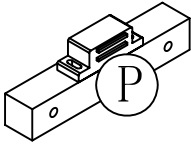
BACK DOWN CROSS BRACE 2PCS



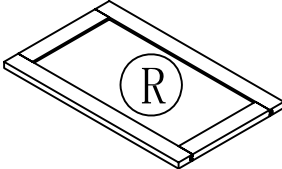
TOE KICK PANEL 1PC



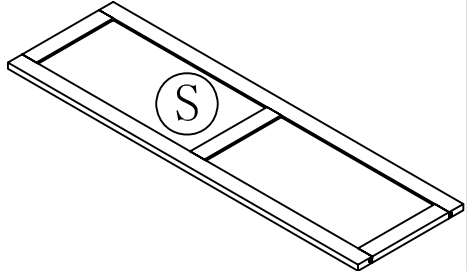
STRENGTH BLOCK 8PCS



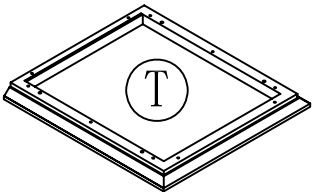
MAGNET 3PCS



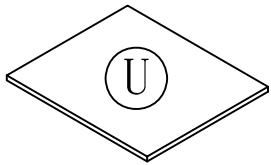
SMALL DOOR 1PC



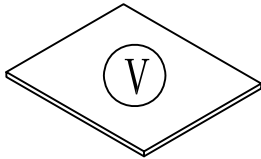
LARGE DOOR 1PC



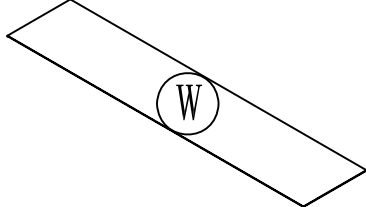
TOP PANEL 1PC



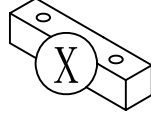
FIXED PANEL 2PCS



ADJUSTABLE PANEL 2PCS

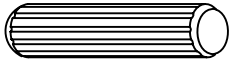


BACK PANEL 1PC



STOPPER 1PC

HARDWARE LIST:



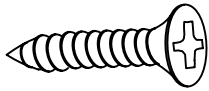
a. WOOD DOWEL 16PCS



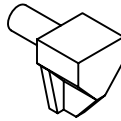
d. 1" L FLAT HEAD SCREW 28PCS



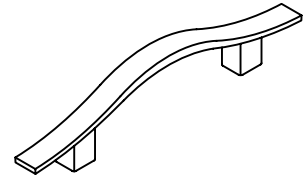
e. 1-1/2" L FLAT HEAD SCREW 14PCS



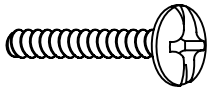
g. 1/2" L FLAT HEAD SCREW (FOR HINGE) 8PCS



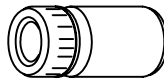
k. PIN 8PCS



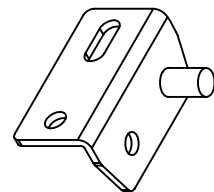
m. HANDLE 2PCS



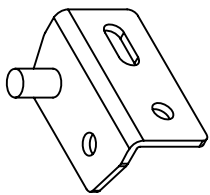
n. HANDLE BOLT 4PCS



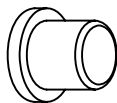
p. GLUE 1PC



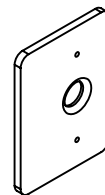
q. HINGE (1) 2PCS



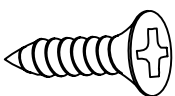
r. HINGE (2) 2PCS



s. PLASTIC PLUG 4PCS



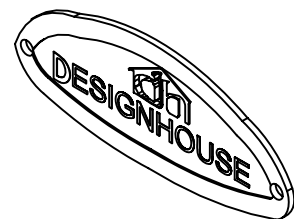
t. METAL PLATE 3PCS



u. 3/8" L FLAT HEAD SCREW 3PCS

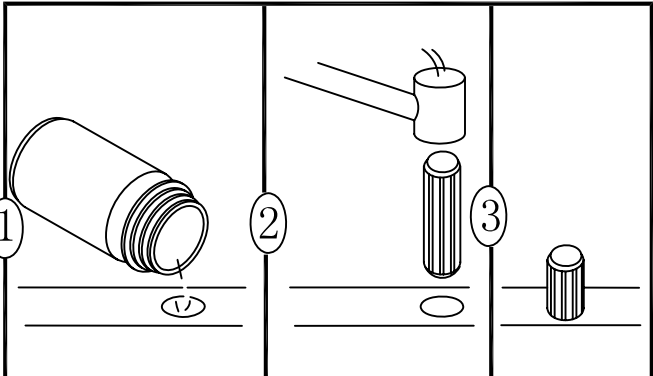
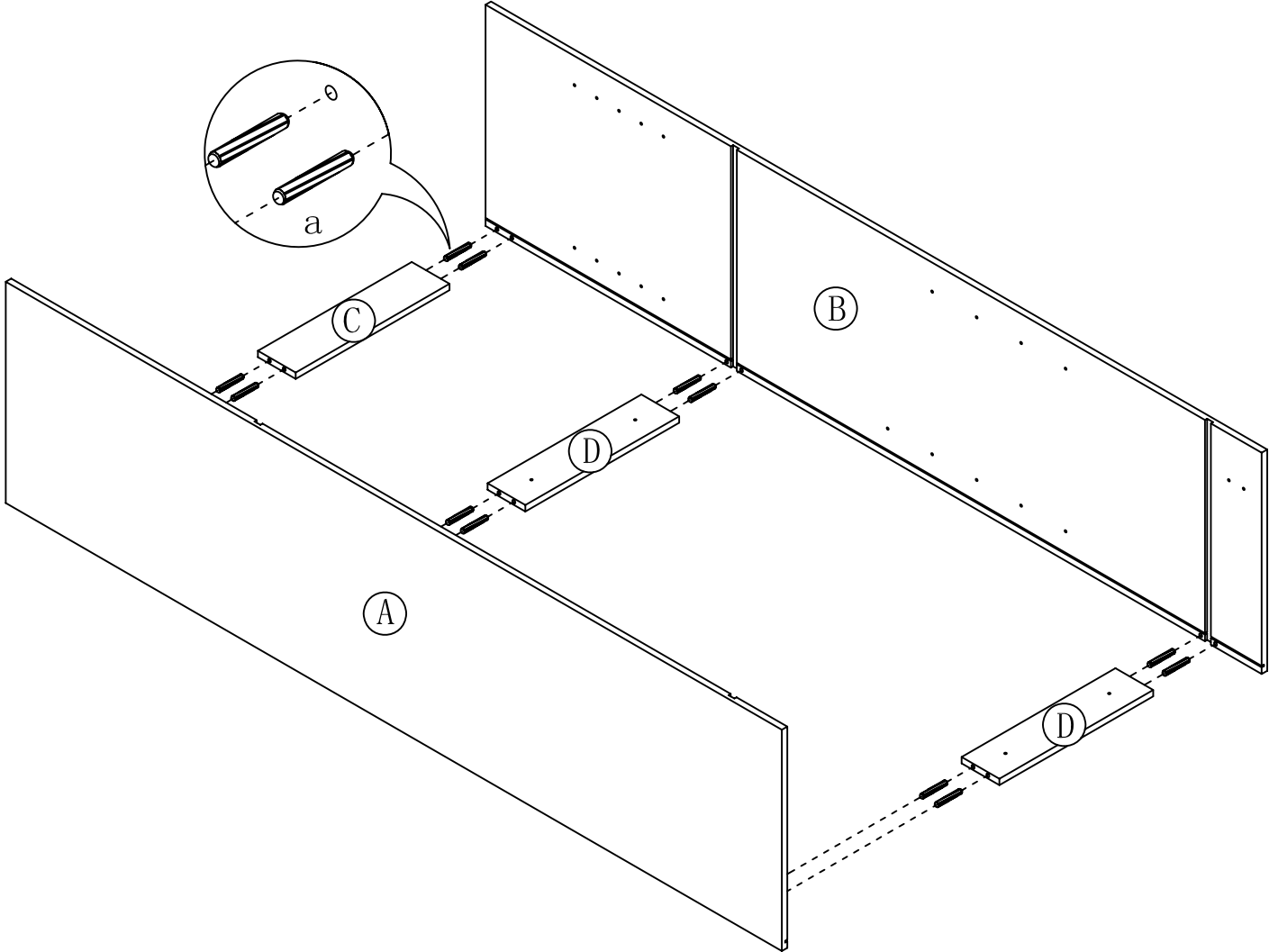


v. SMALL SCREW (FOR LOGO) 2PCS

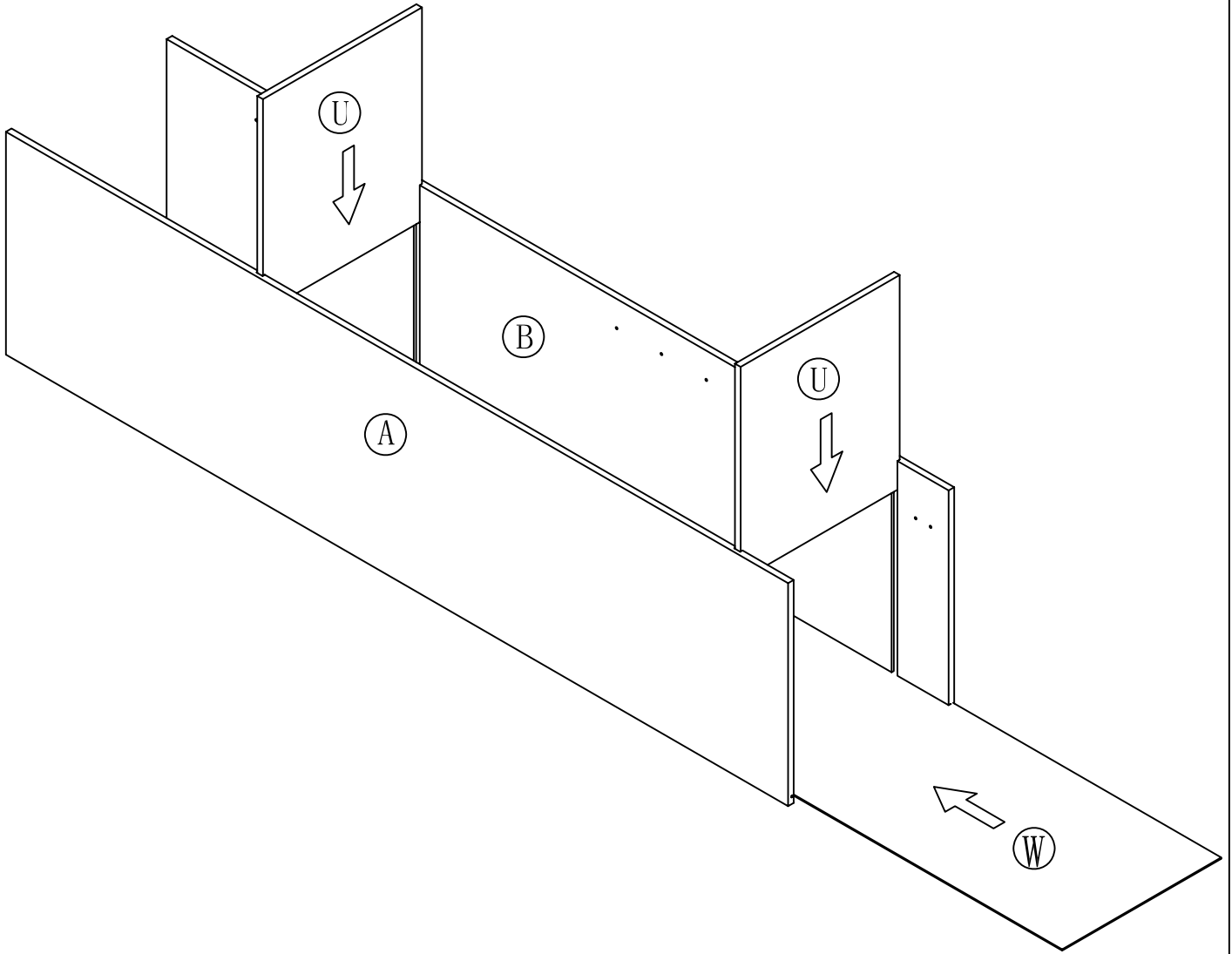


x. LOGO 1PC

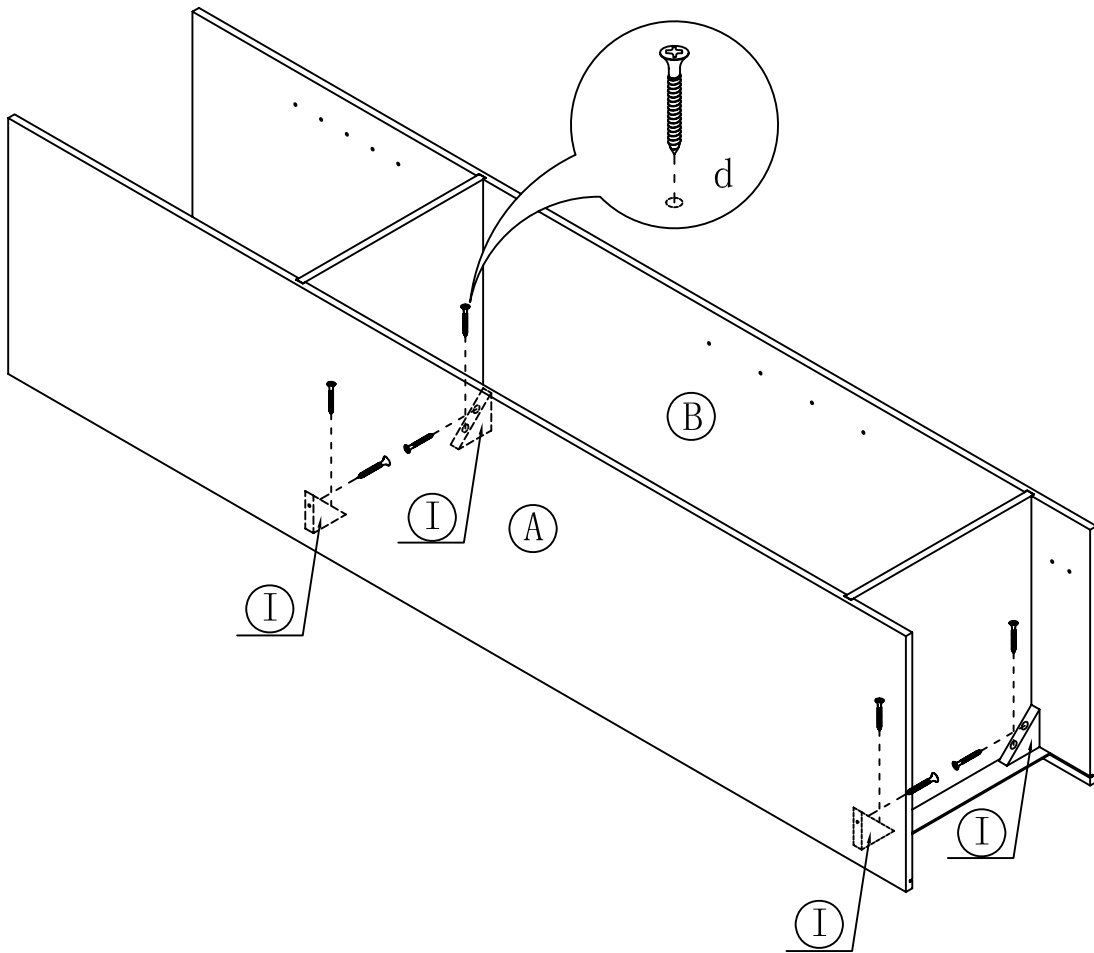
STEP 1



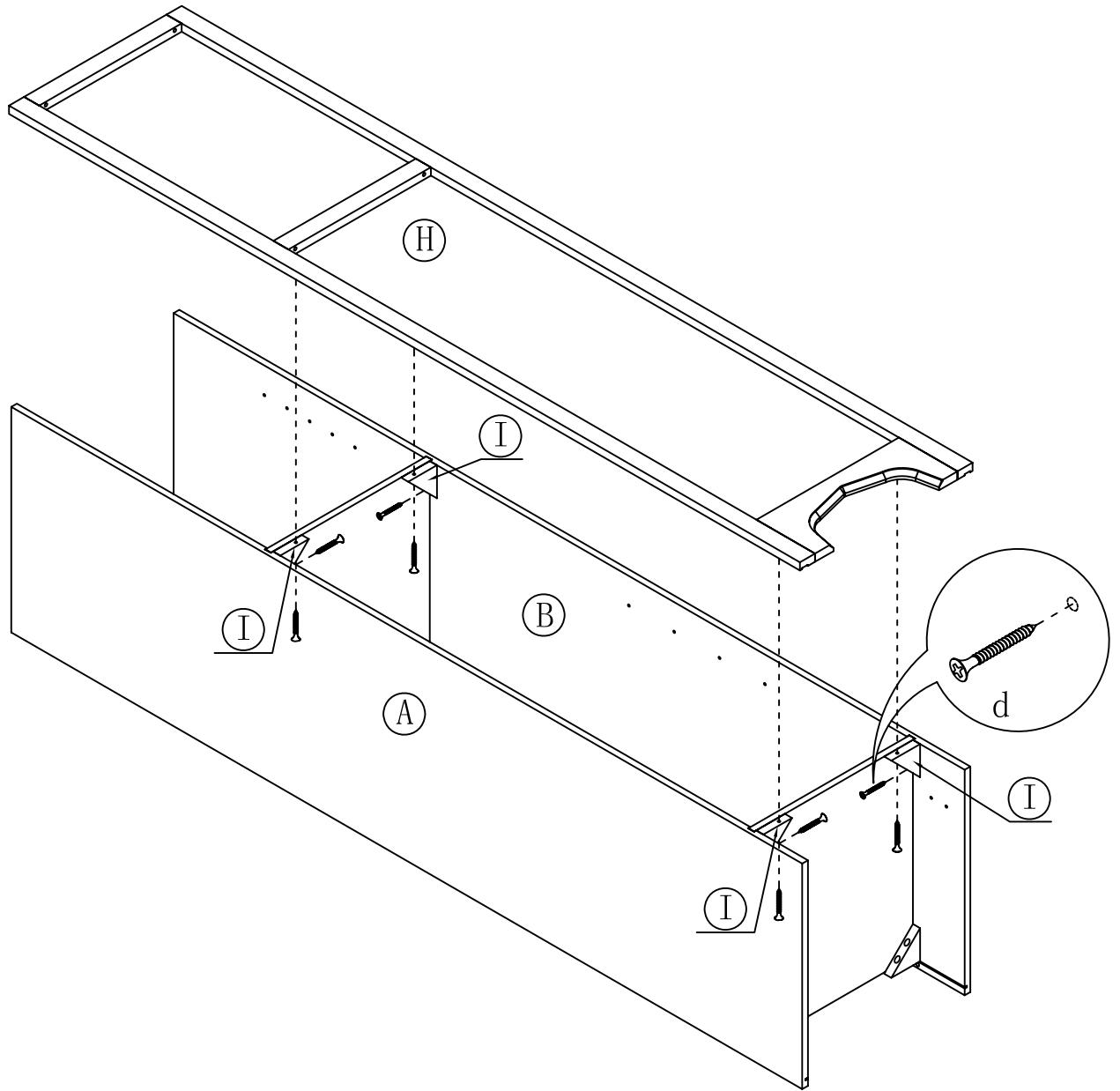
STEP 2



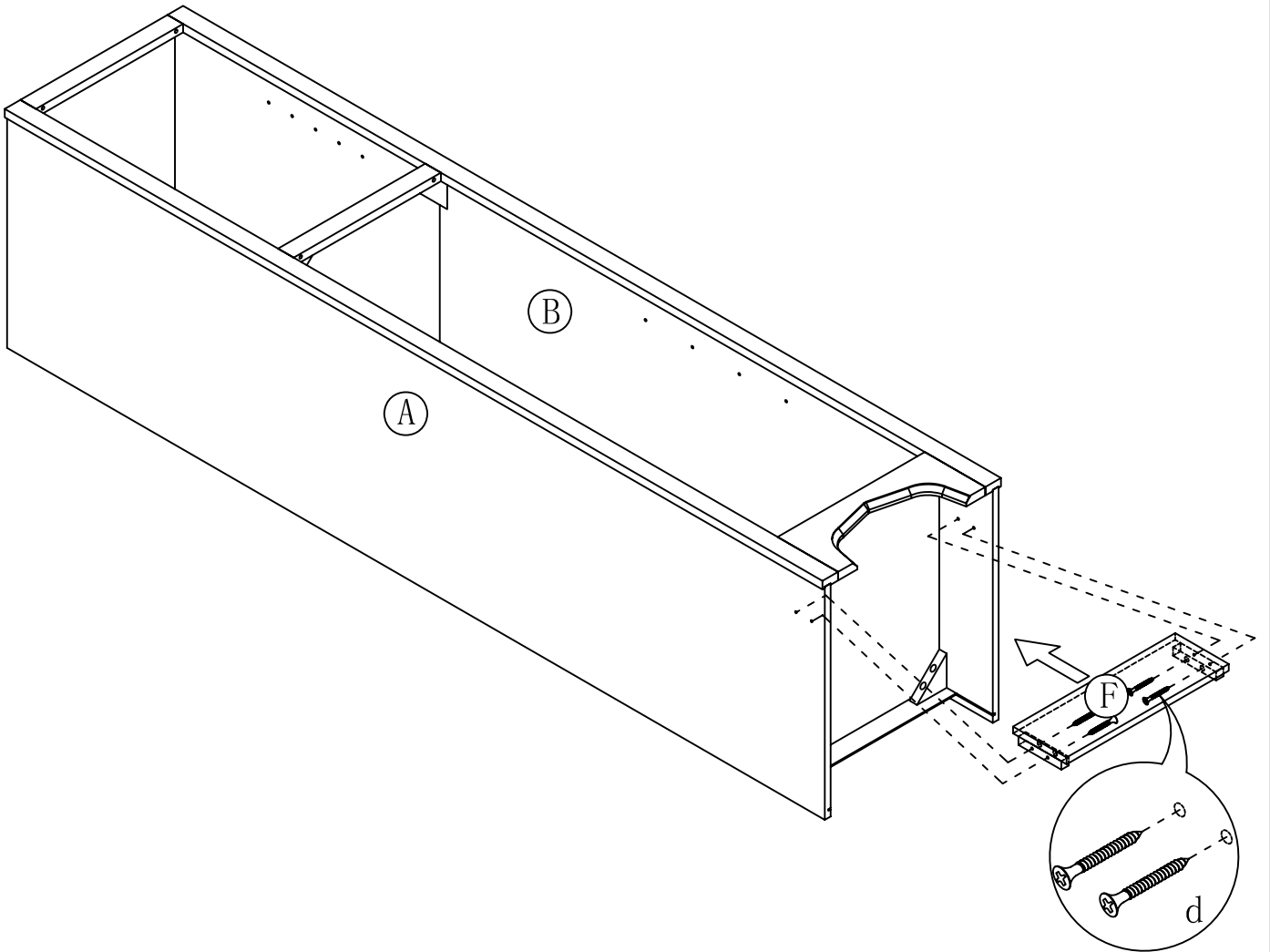
STEP 3



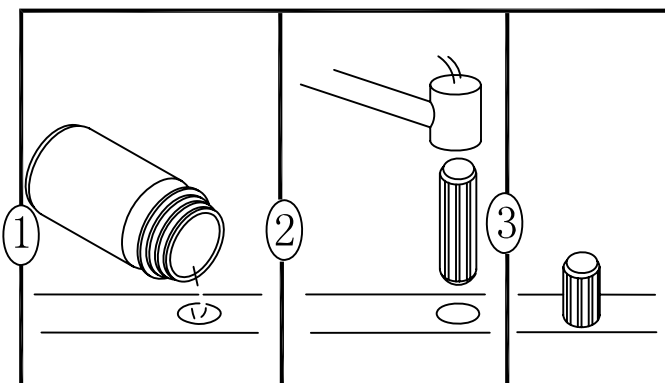
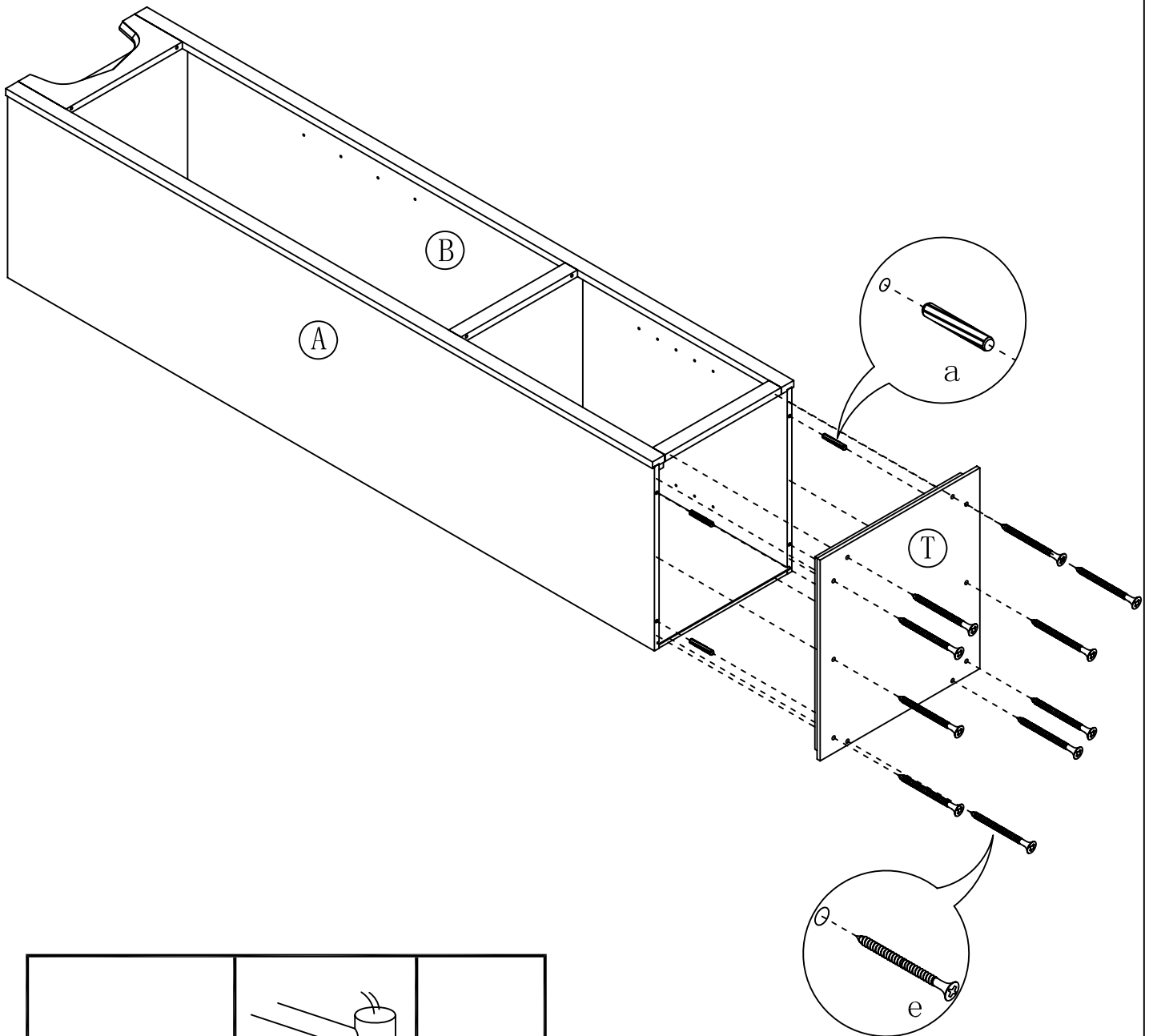
STEP 4



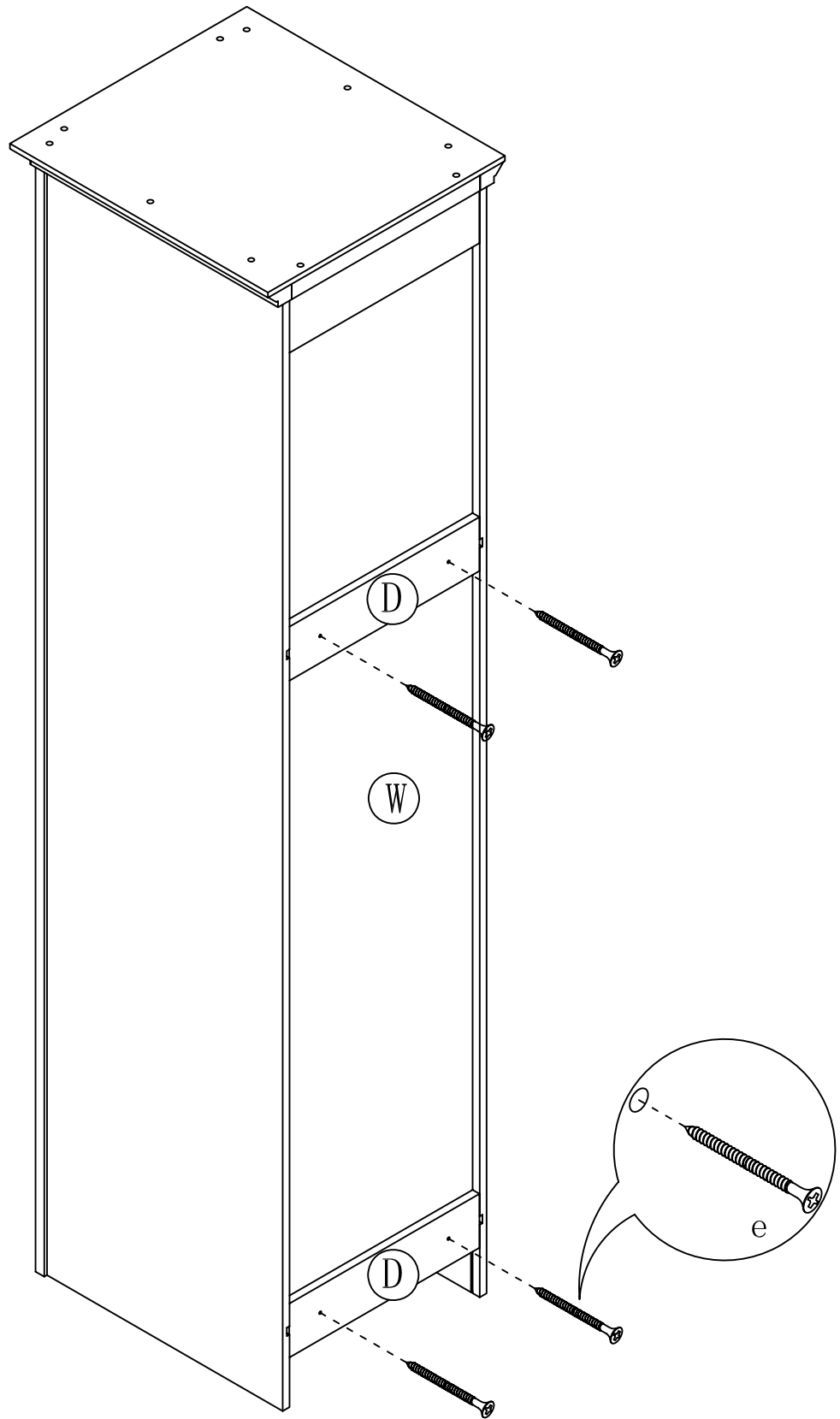
STEP 5



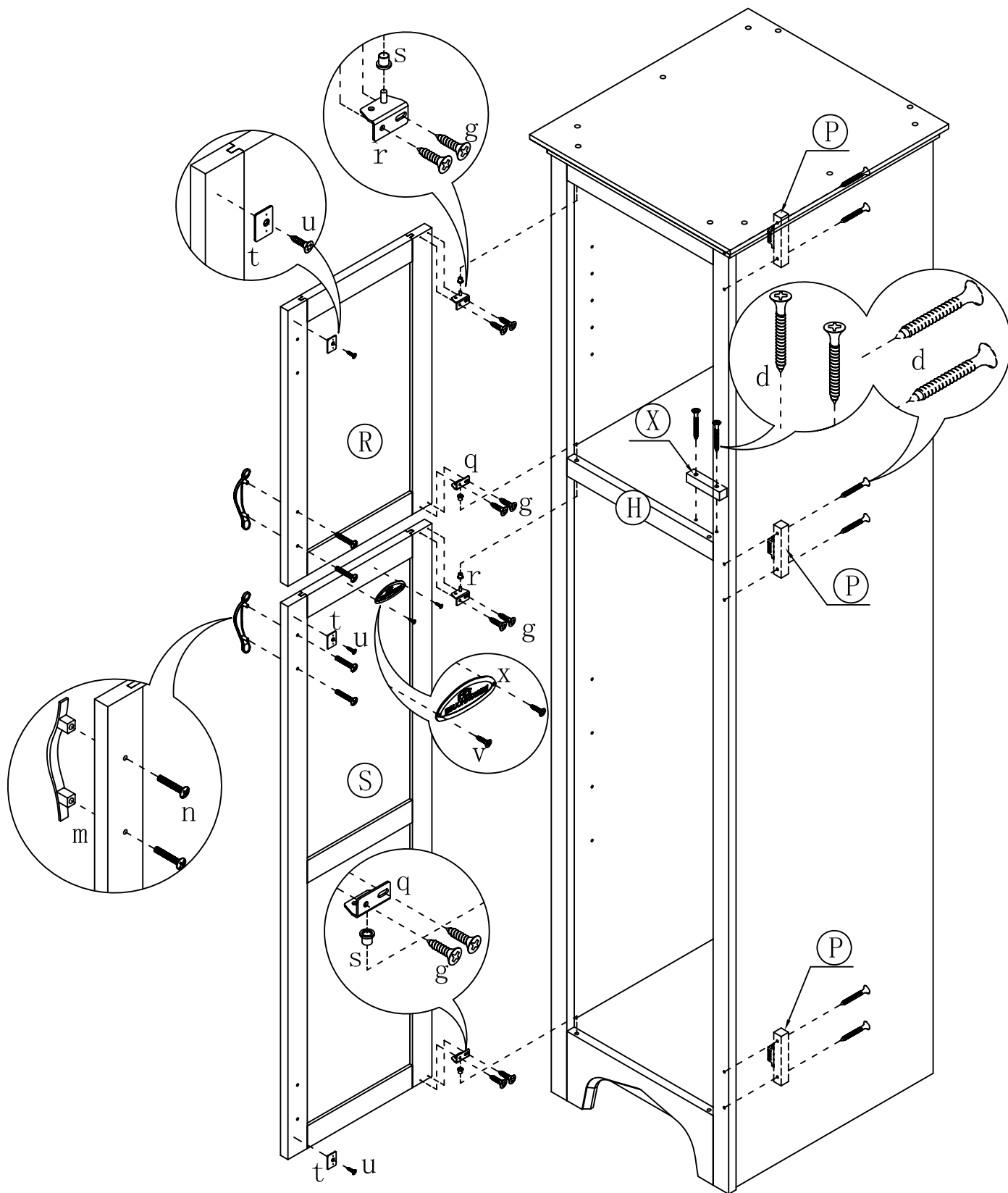
STEP 6



STEP 7

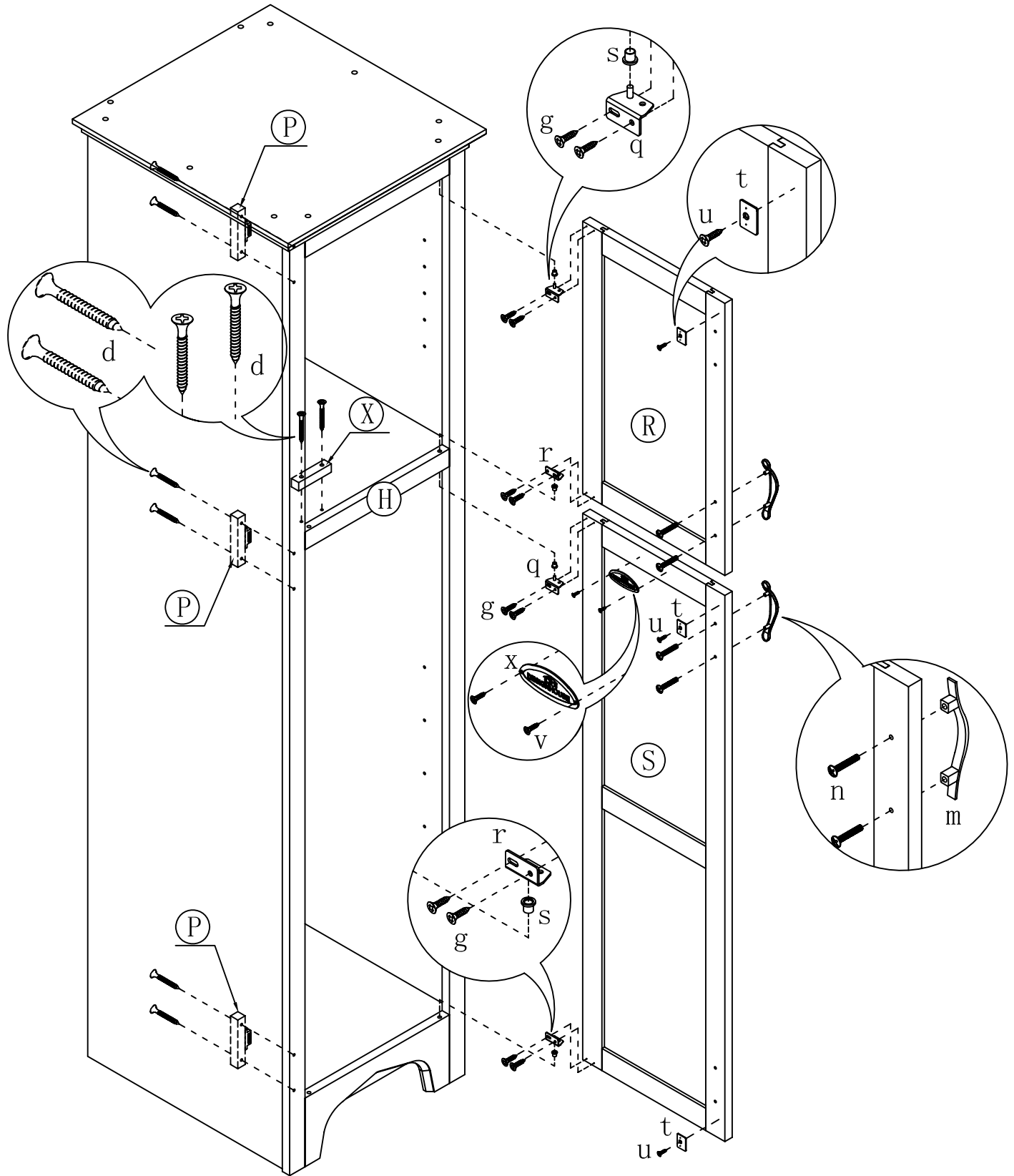


STEP 8



PLEASE FOLLOW STEPS 8 IF YOU
 WOULD LIKE THE DOOR OPEN
 FROM THE LEFT

STEP 9



PLEASE FOLLOW STEP9 IF YOU
WOULD LIKE THE DOOR OPEN FROM
THE RIGHT

STEP 10

