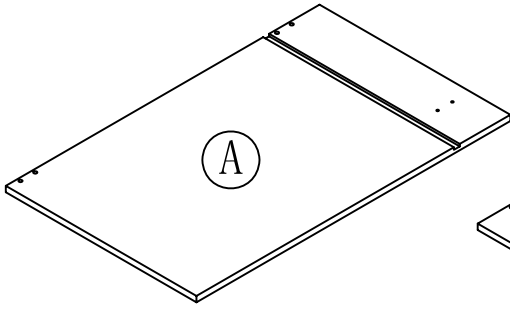


540674 • 540666

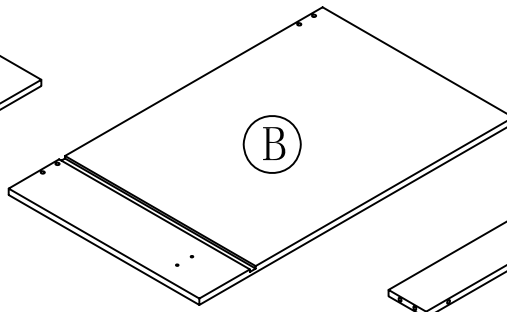
ASSEMBLY INSTRUCTIONS

DHI Corp. • 5205 W. Donges Bay Rd. • Mequon, WI 53092 • 800.558.8700

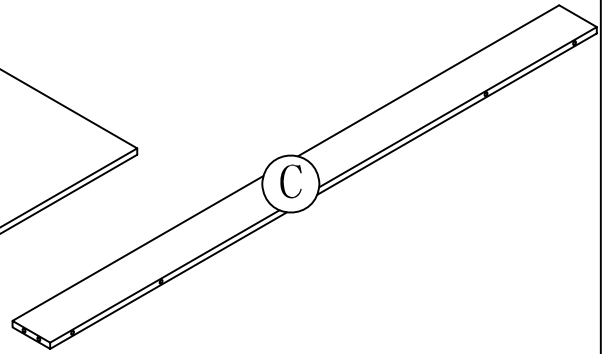
PARTS LIST:



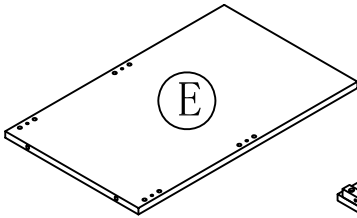
LEFT SIDE PANEL 1PC



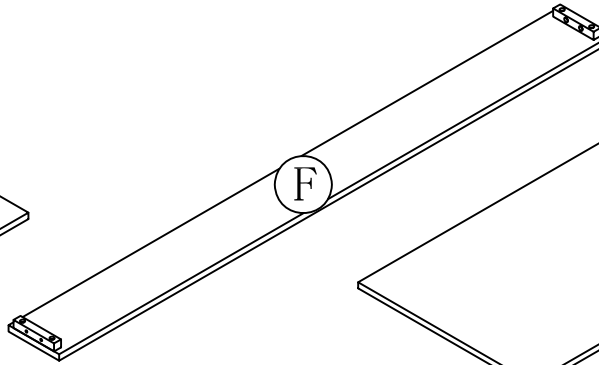
RIGHT SIDE PANEL 1PC



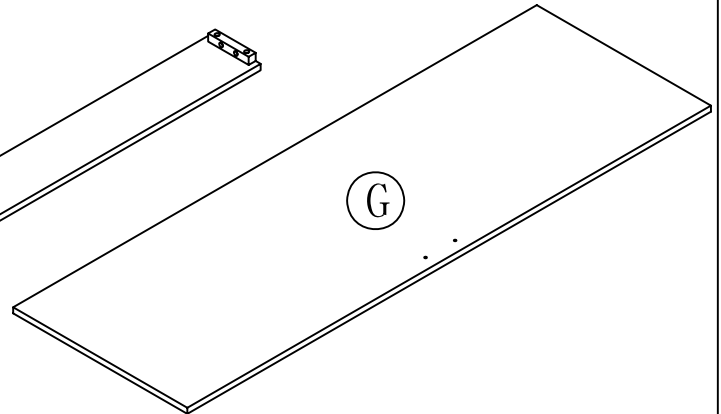
BACK CROSS BRACE 2PCS



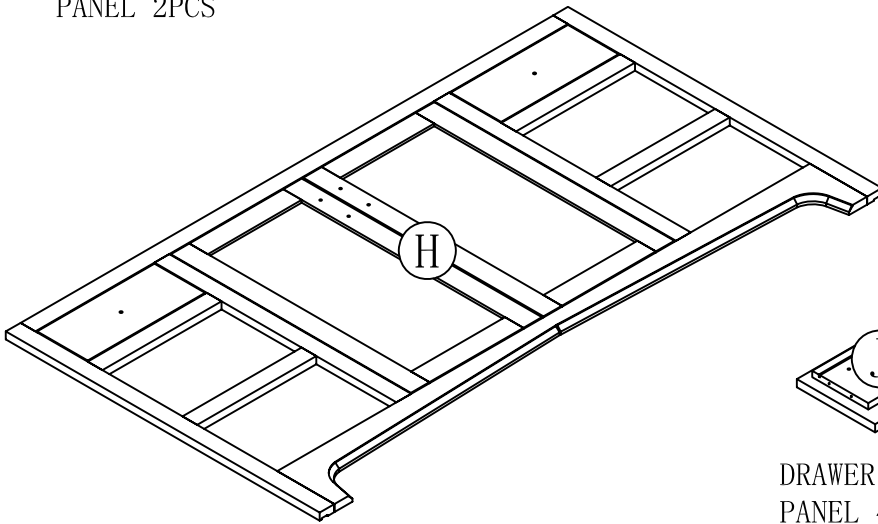
BACK PARTITION
PANEL 2PCS



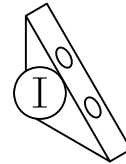
TOE KICK PANEL 1PC



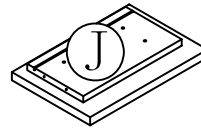
BOTTOM PANEL 1PC



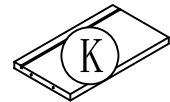
FRONT FRAME 1PC



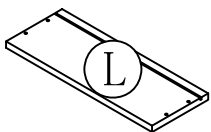
STRENGTH BLOCK 8PCS



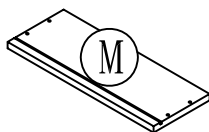
DRAWER FRONT
PANEL 4PCS



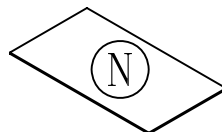
DRAWER BACK
PANEL 4PCS



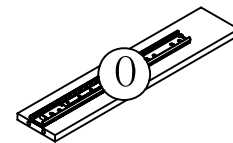
DRAWER LEFT SIDE
PANEL 4PCS



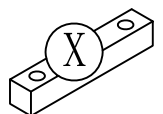
DRAWER RIGHT SIDE
PANEL 4PCS



DRAWER BOTTOM
PANEL 4PCS



SUPPORT PANEL 8PCS



STOPPER 1PC

HARDWARE LIST:



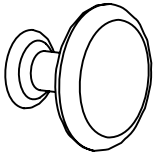
a. WOOD DOWEL 48PCS



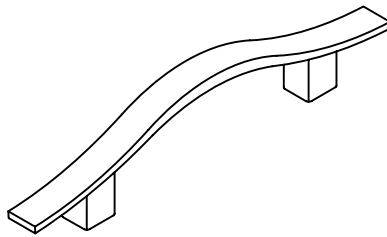
d. 1"L FLAT HEAD
SCREW 30PCS



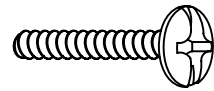
e. 1-1/2"L FLAT HEAD
SCREW 32PCS



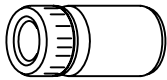
l. KNOB 6PCS



m. HANDLE 2PCS

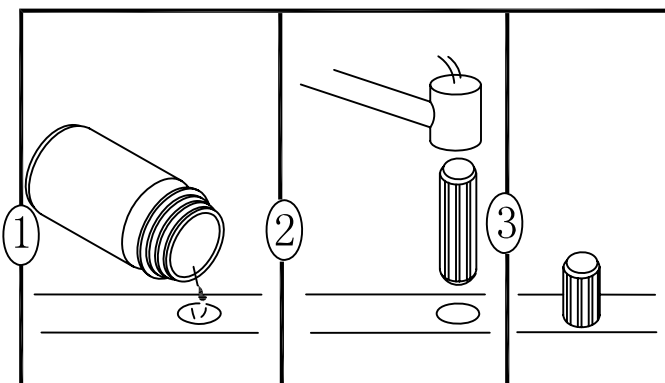
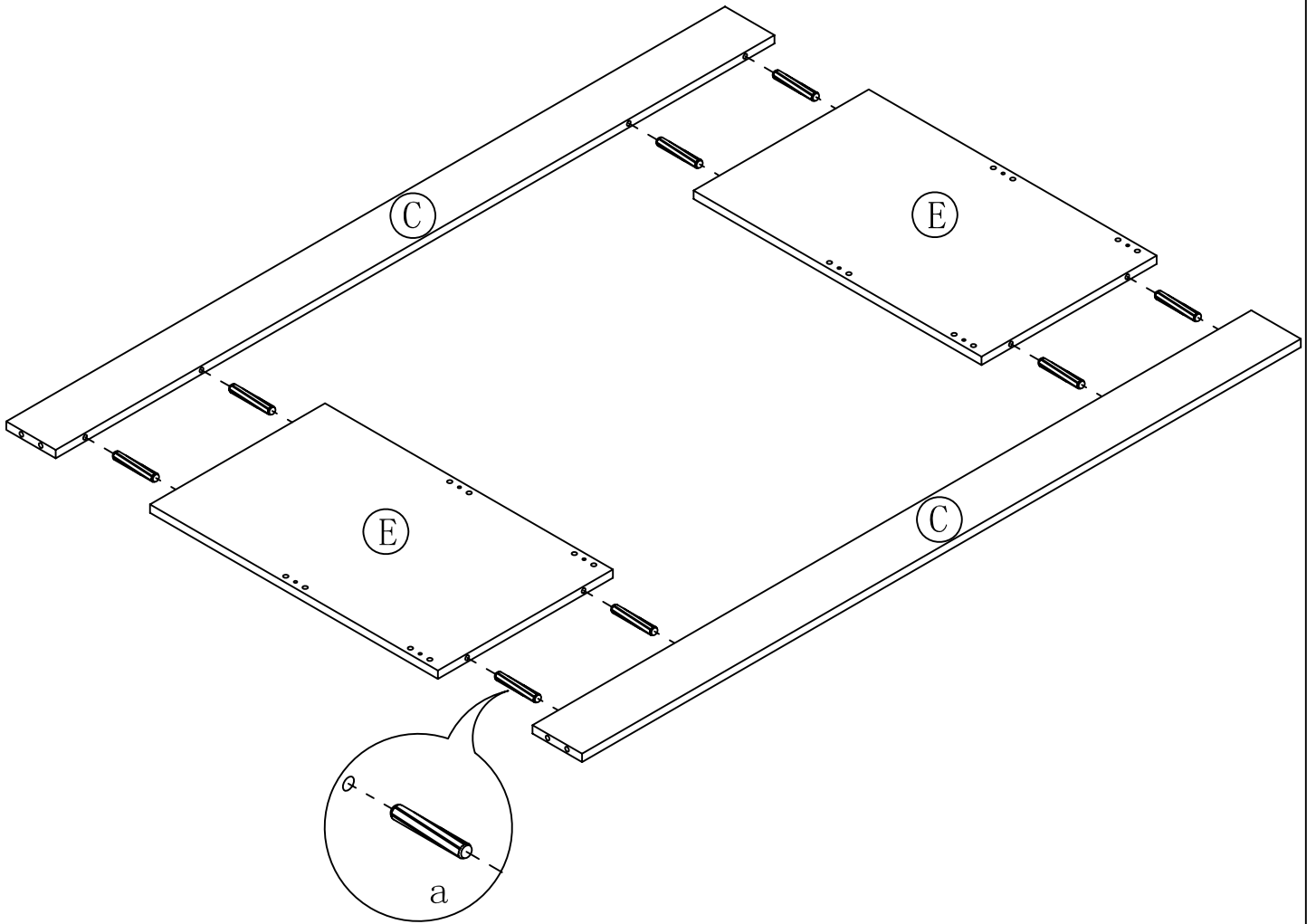


n. HANDLE (KNOB)
BOLT 10PCS

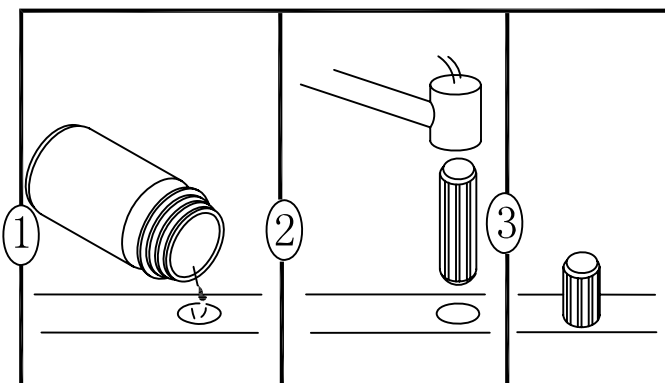
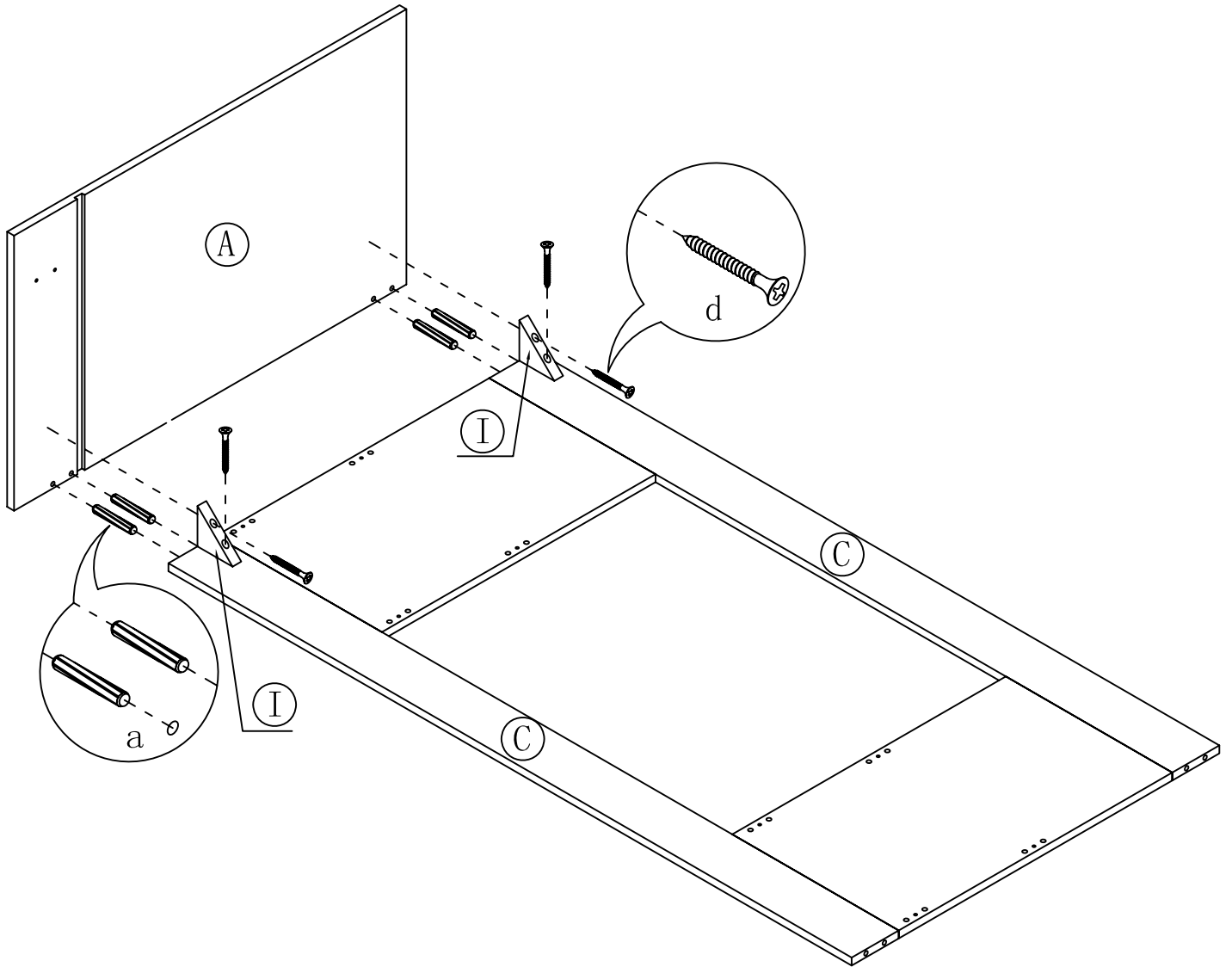


p. GLUE 1PC

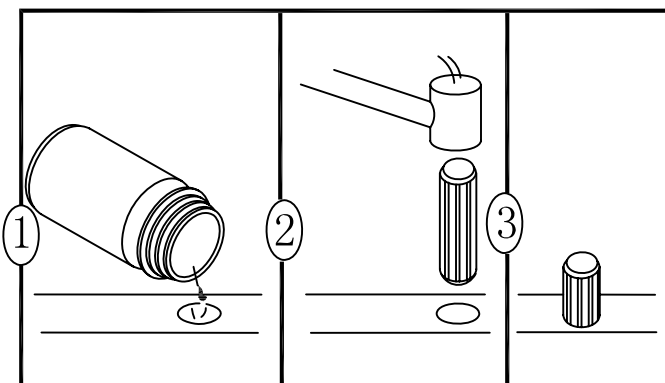
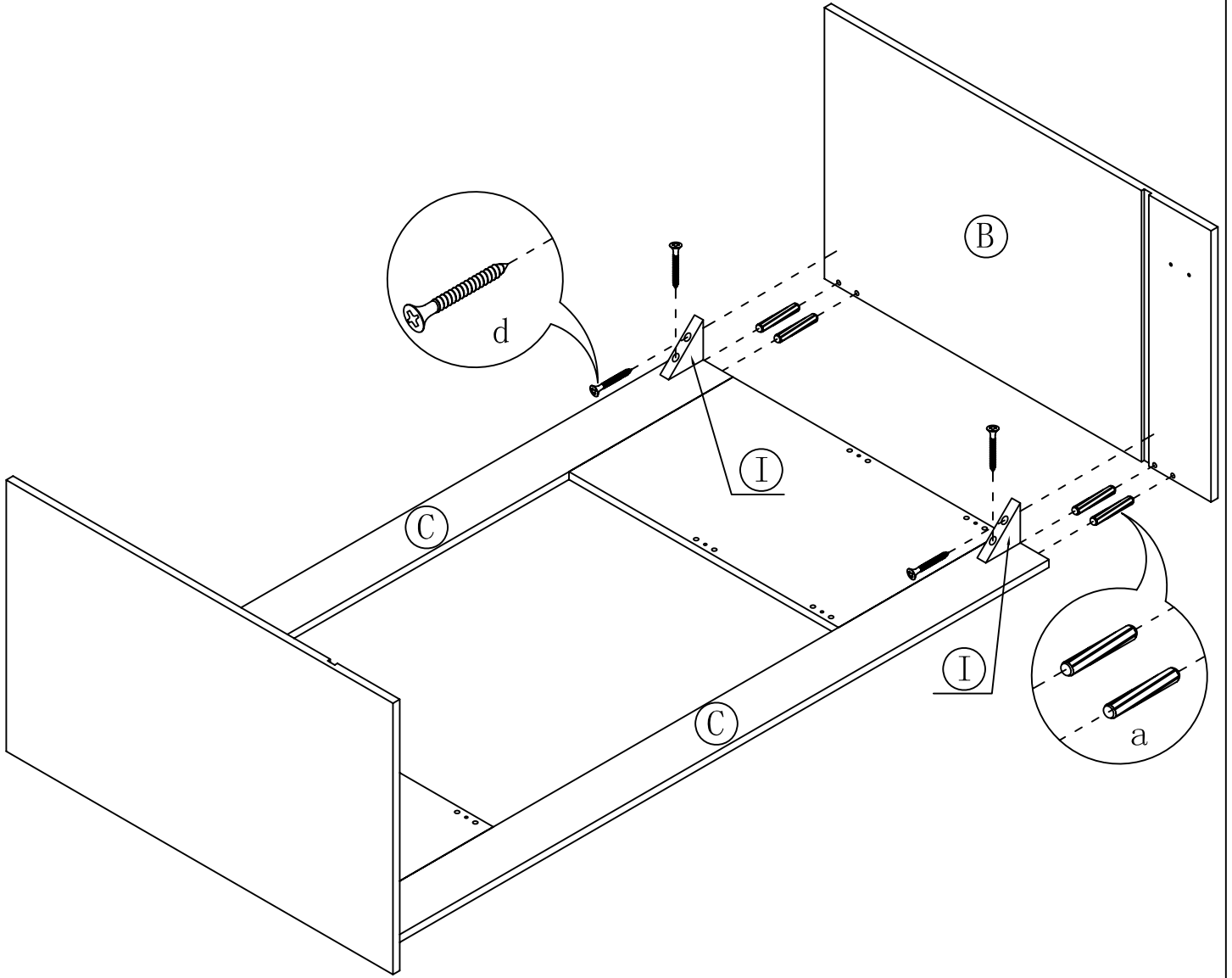
STEP 1



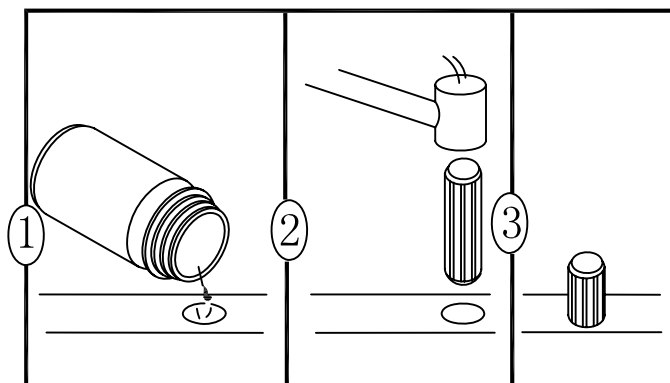
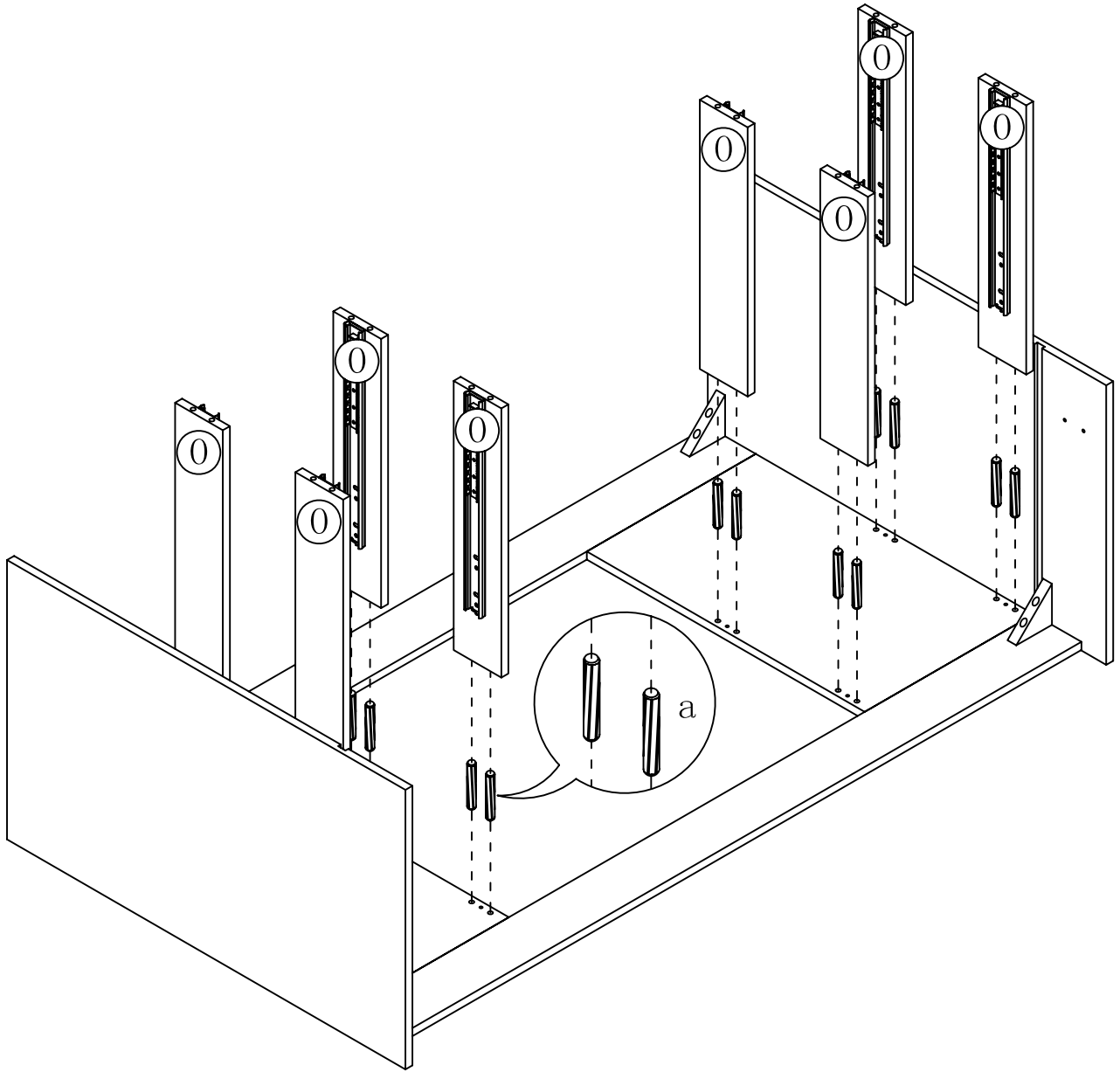
STEP 2



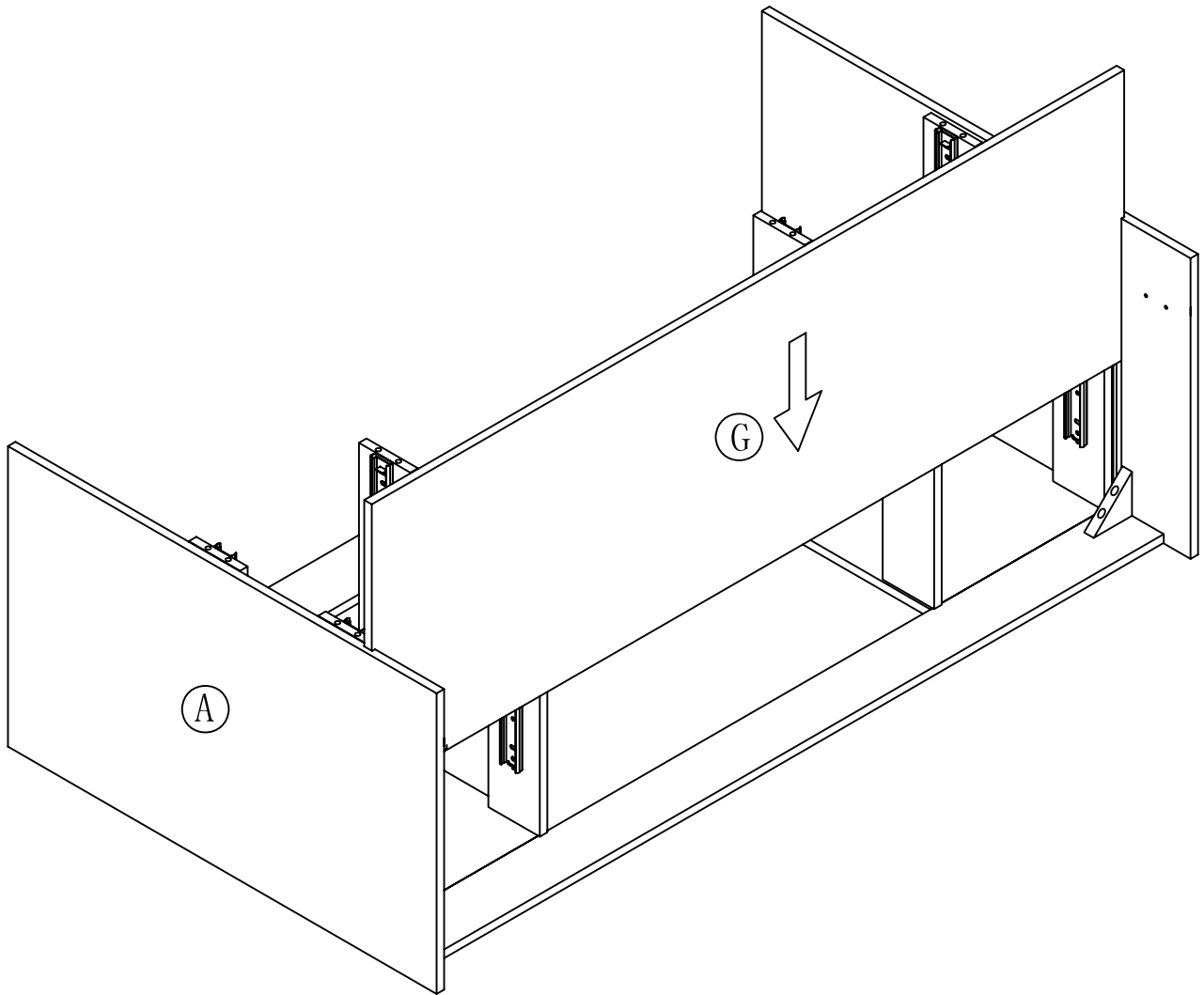
STEP 3



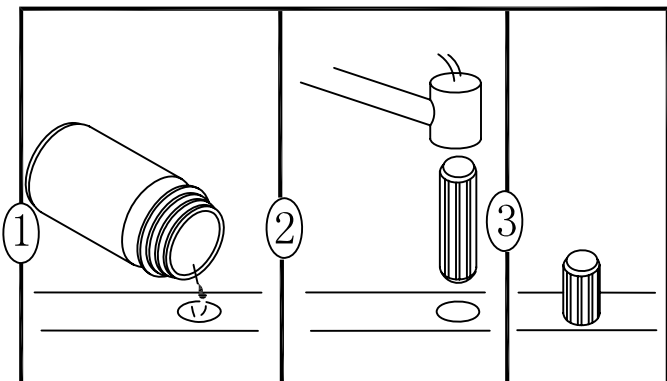
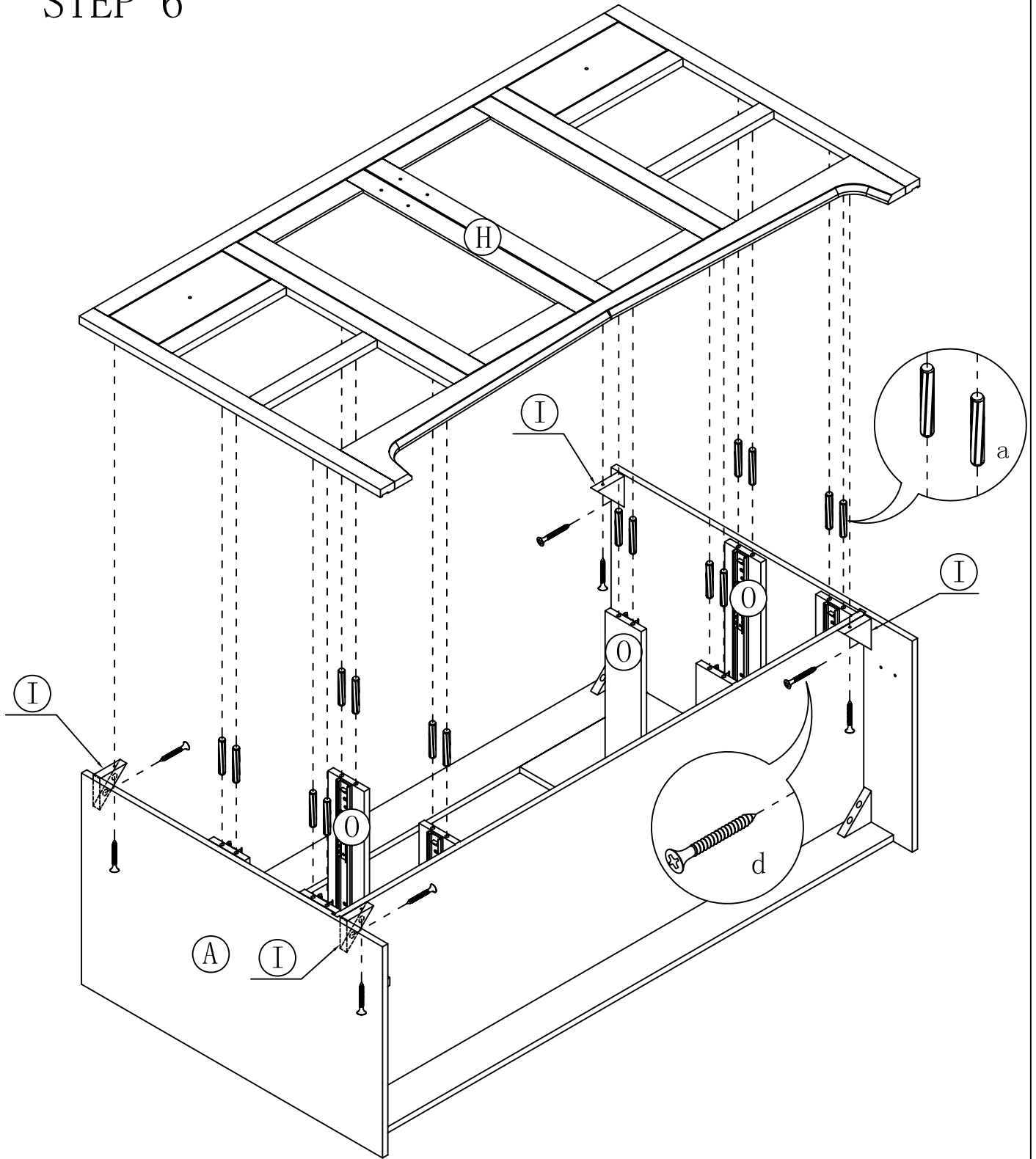
STEP 4



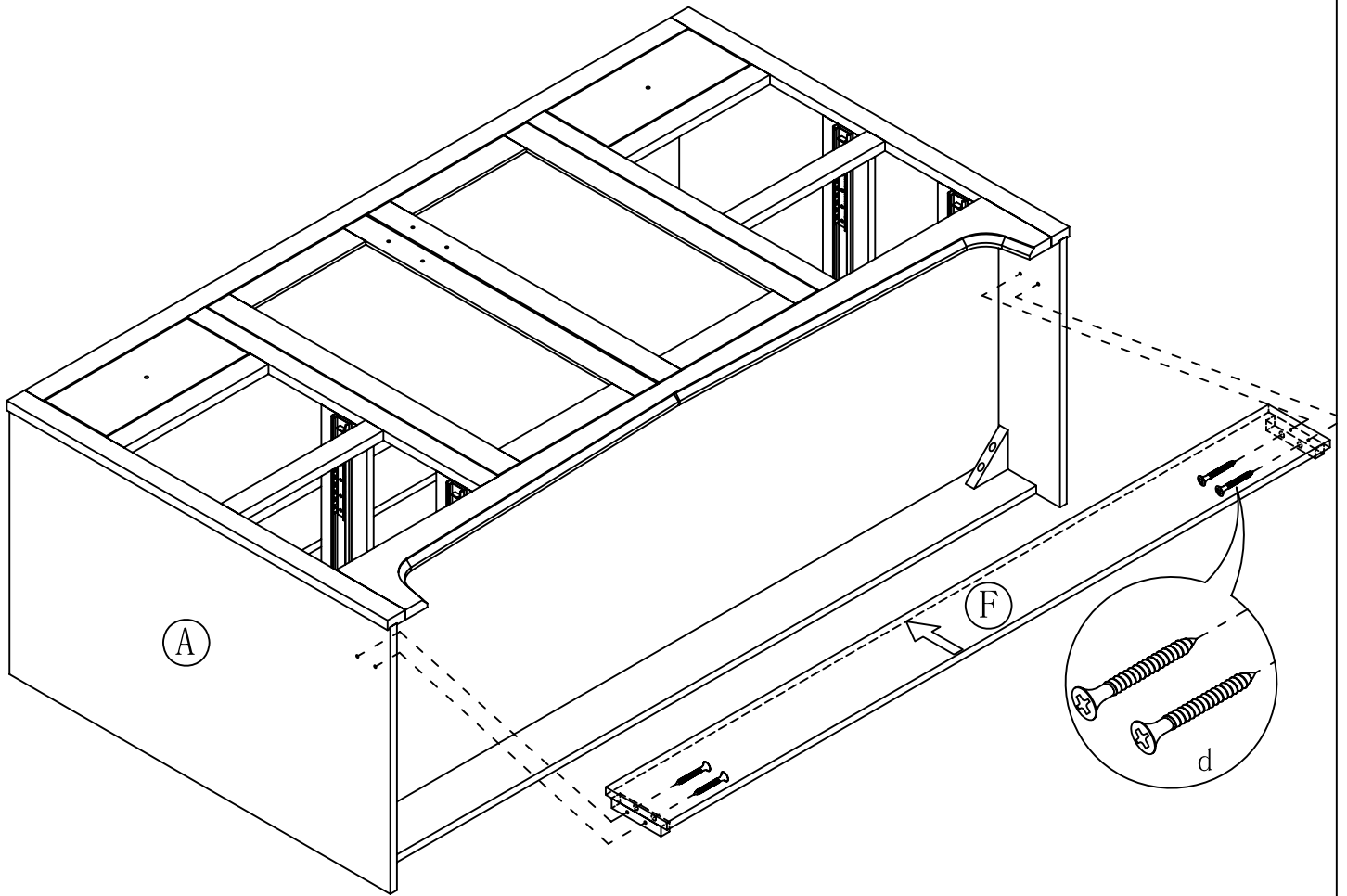
STEP 5



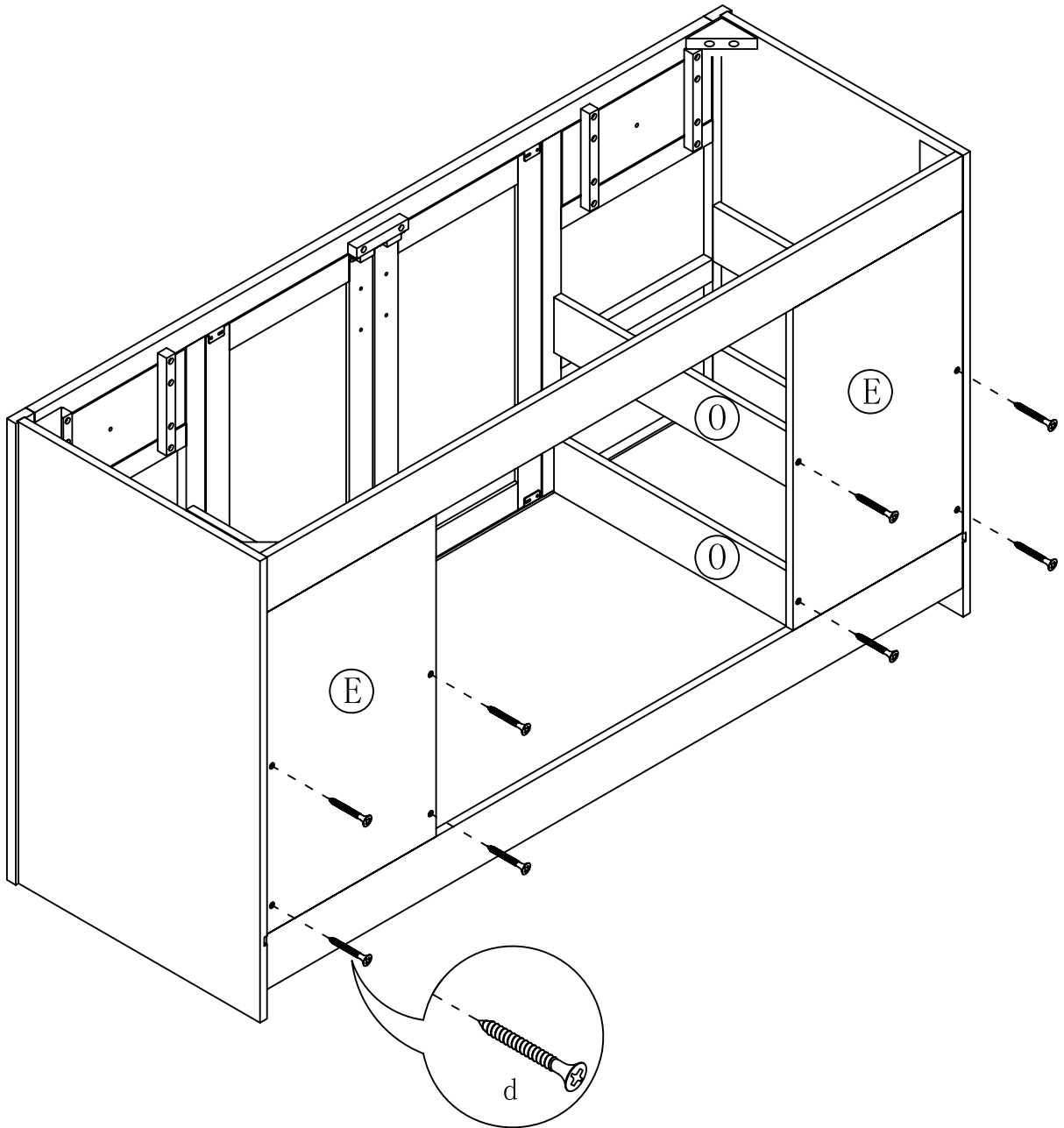
STEP 6



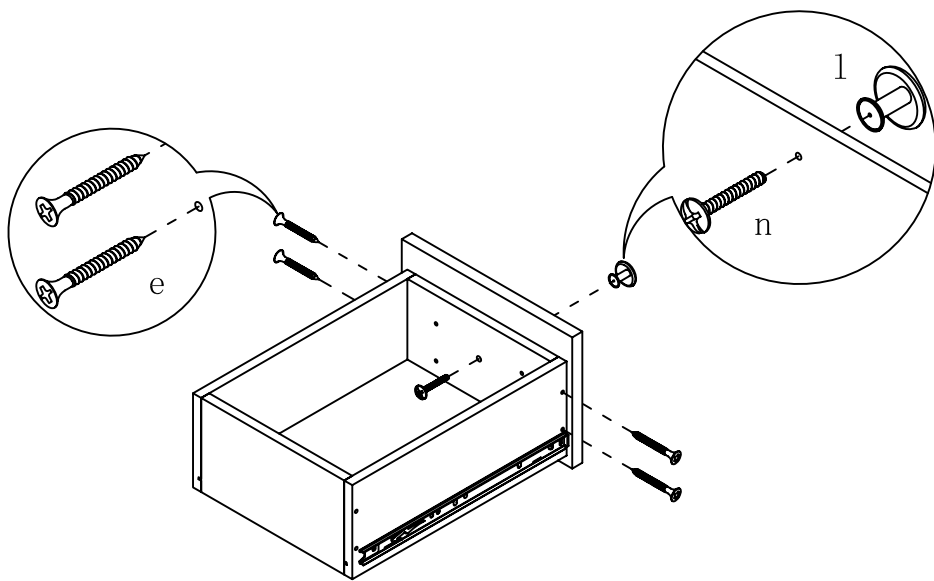
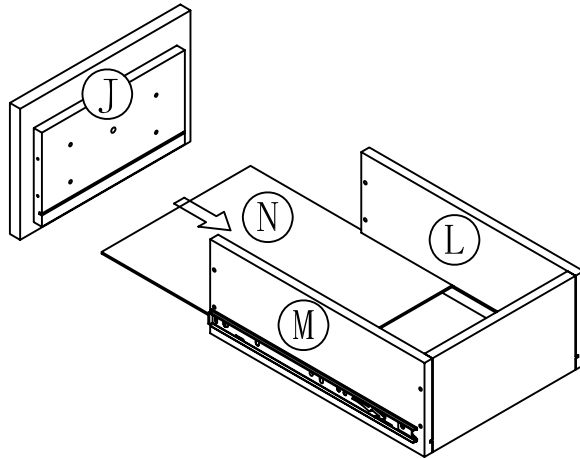
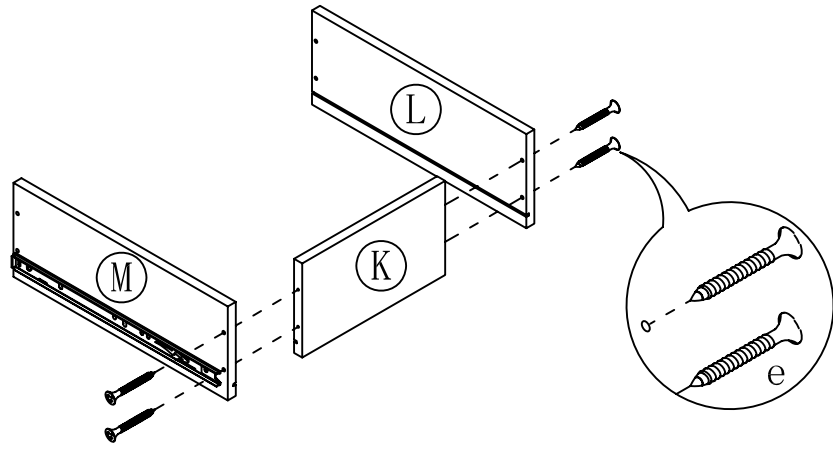
STEP 7



STEP 8



STEP 9



STEP 10

