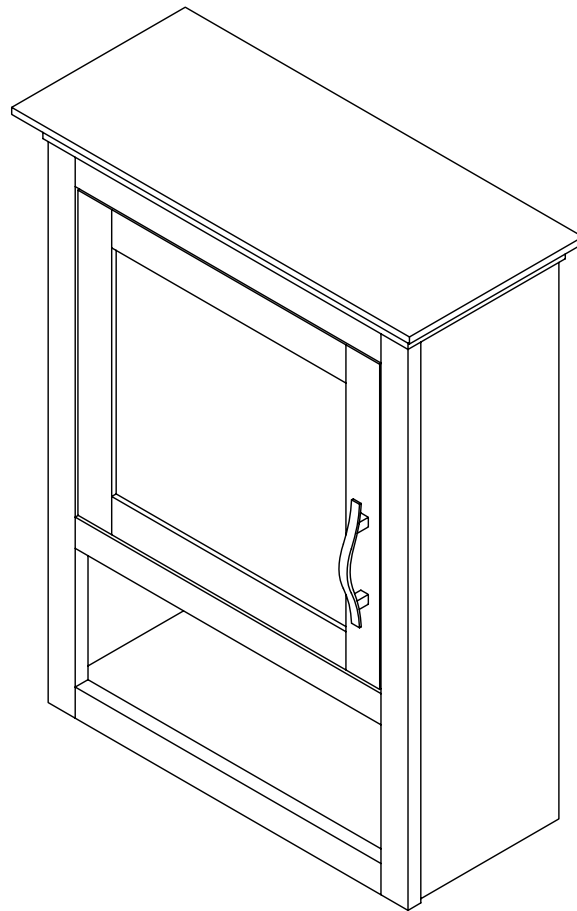




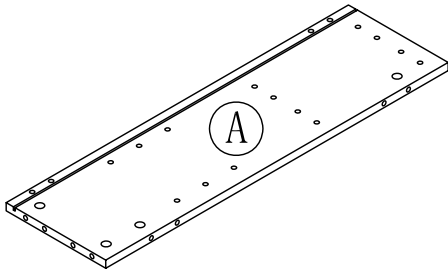
[www.todaysdesignhouse.com](http://www.todaysdesignhouse.com)



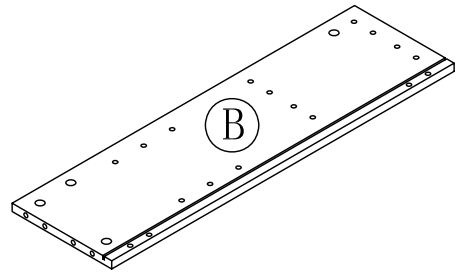
541318  
**ASSEMBLY INSTRUCTIONS**

DHI Corp. • 5205 W. Donges Bay Rd. • Mequon, WI 53092 • 800.558.8700

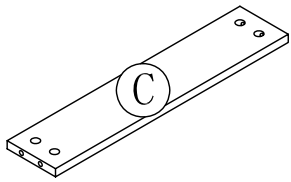
PARTS LIST:



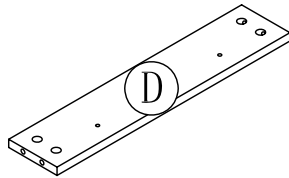
LEFT SIDE PANEL 1PC



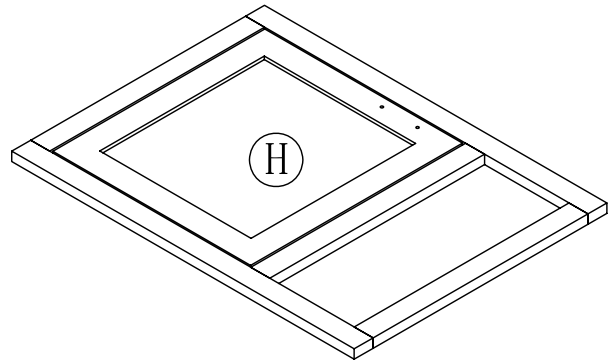
RIGHT SIDE PANEL 1PC



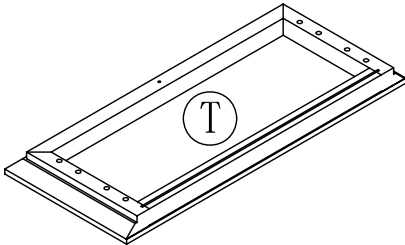
BACK UP CROSS  
BRACE 1PC



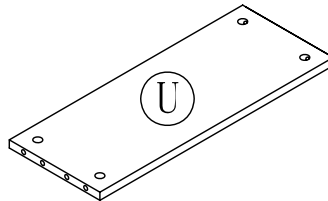
BACK DOWN CROSS  
BRACE 1PC



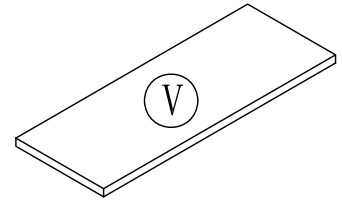
FRONT FRAME 1PC



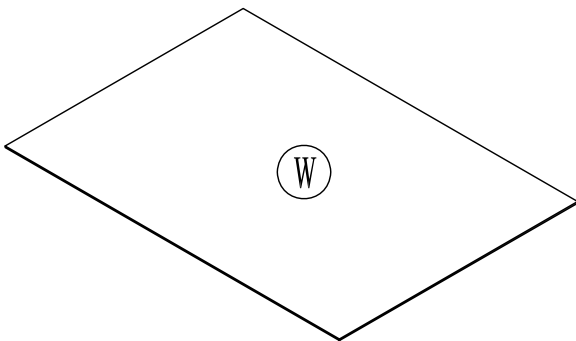
TOP PANEL 1PC



FIXED PANEL 2PCS



ADJUSTABLE PANEL 1PC

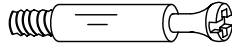


BACK PANEL 1PC

HARDWARE LIST:



a. WOOD DOWEL 16PCS



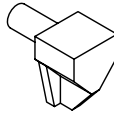
b. CAM LOCK SCREW  
24PCS



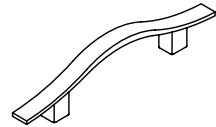
c. CAM LOCK 24PCS



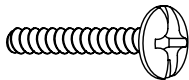
d. 1" L FLAT HEAD  
SCREW 3PCS



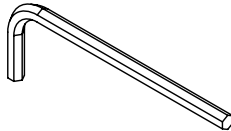
k. PIN 4PCS



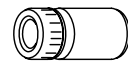
m. HANDLE 1PC



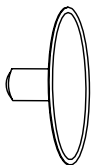
n. HANDLE BOLT 2PCS



o. WRENCH 1PC

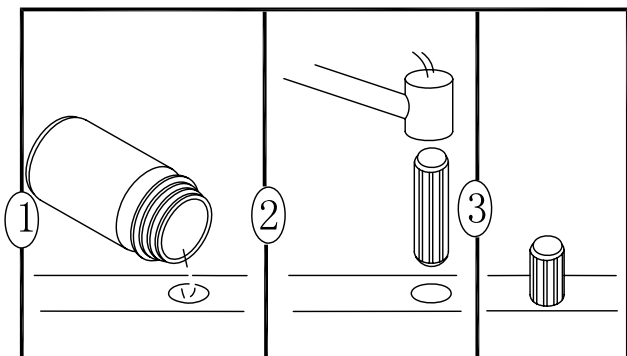
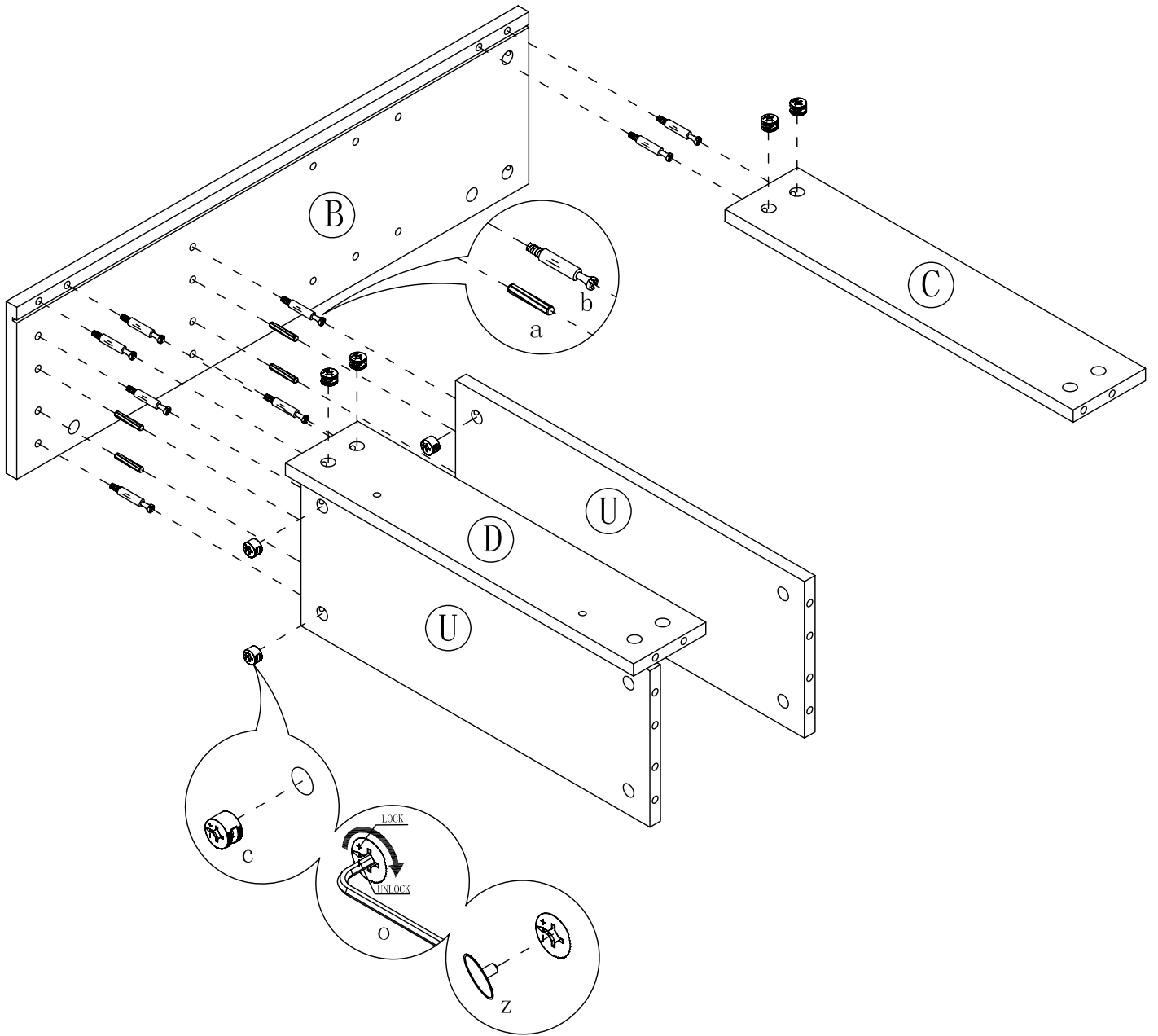


p. GLUE 1PC

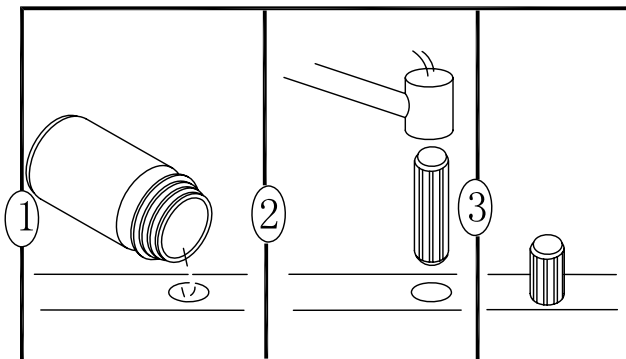
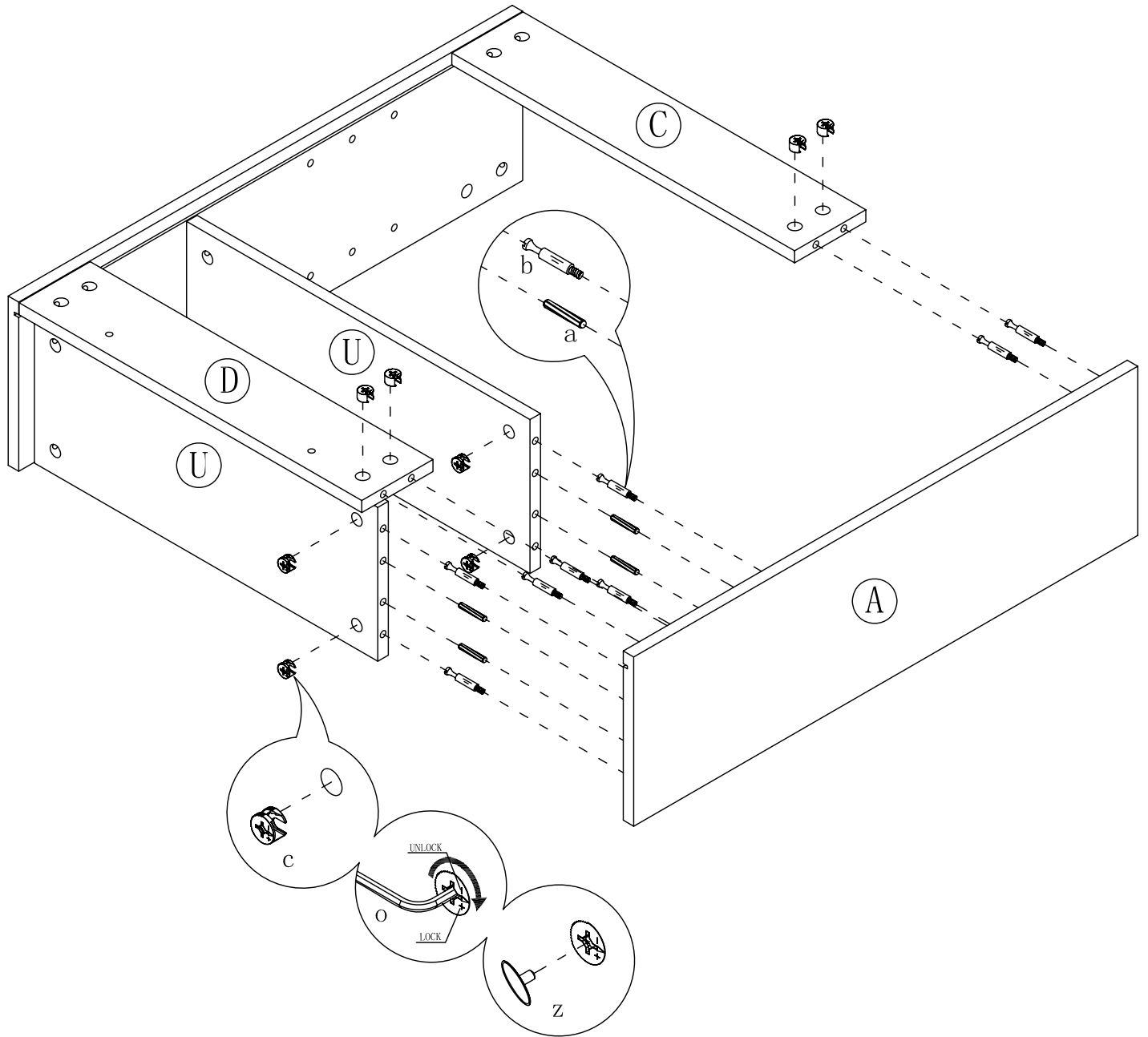


z. PLASTIC COVER 24PCS

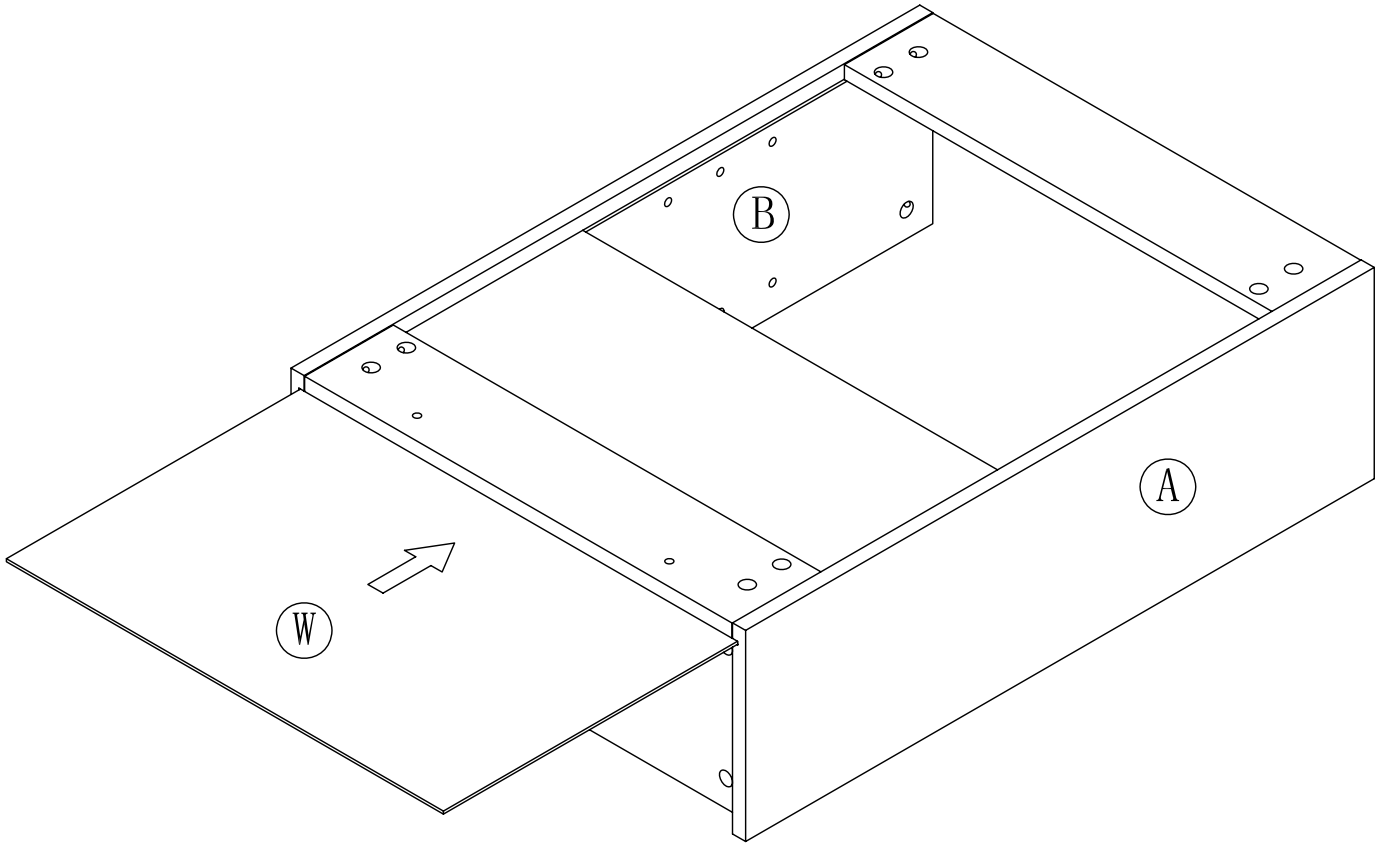
# STEP 1



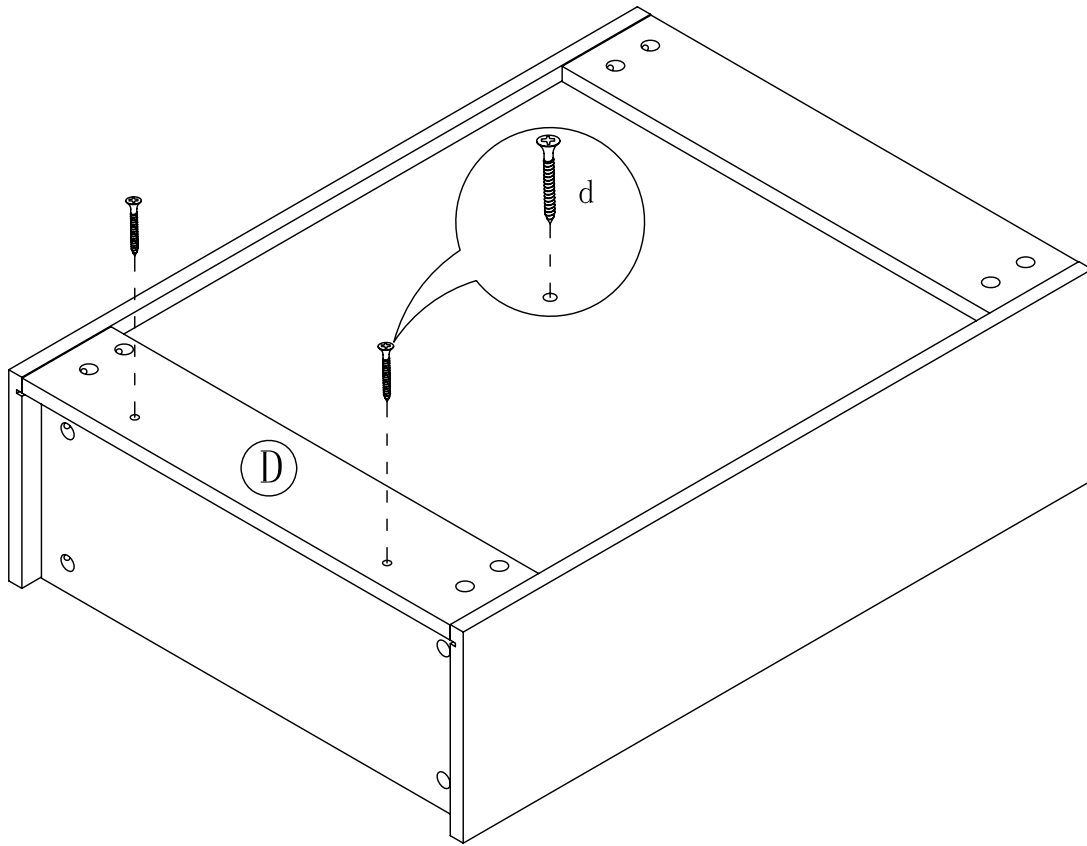
# STEP 2



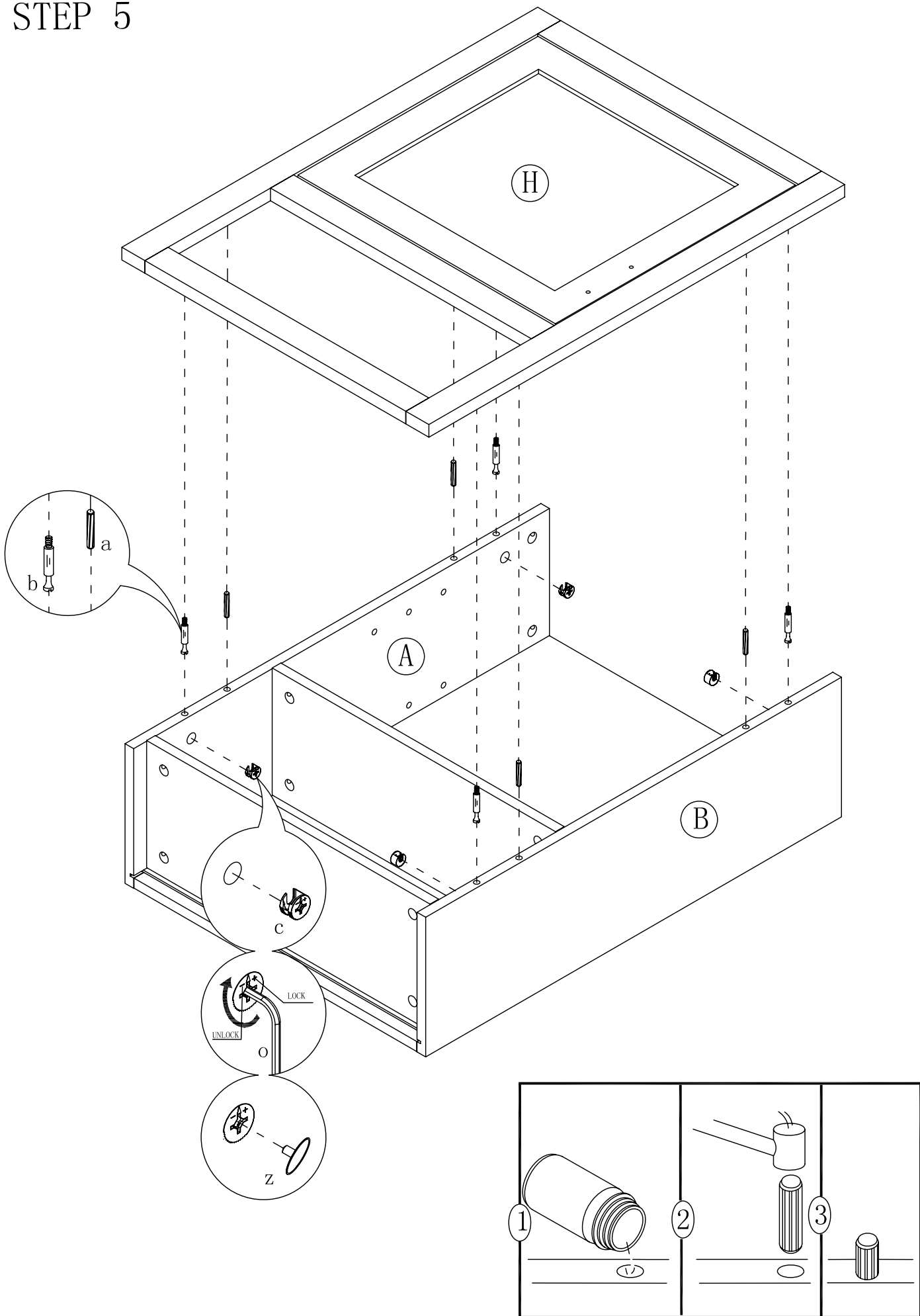
# STEP 3



# STEP 4

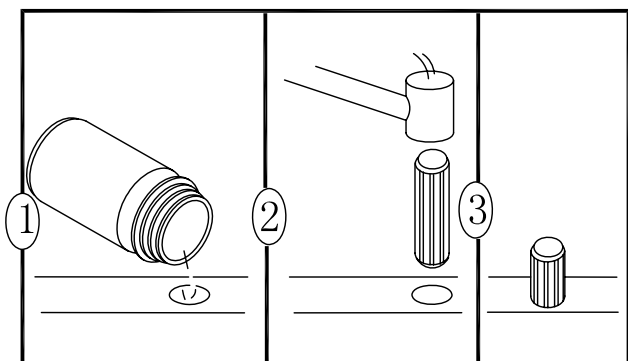
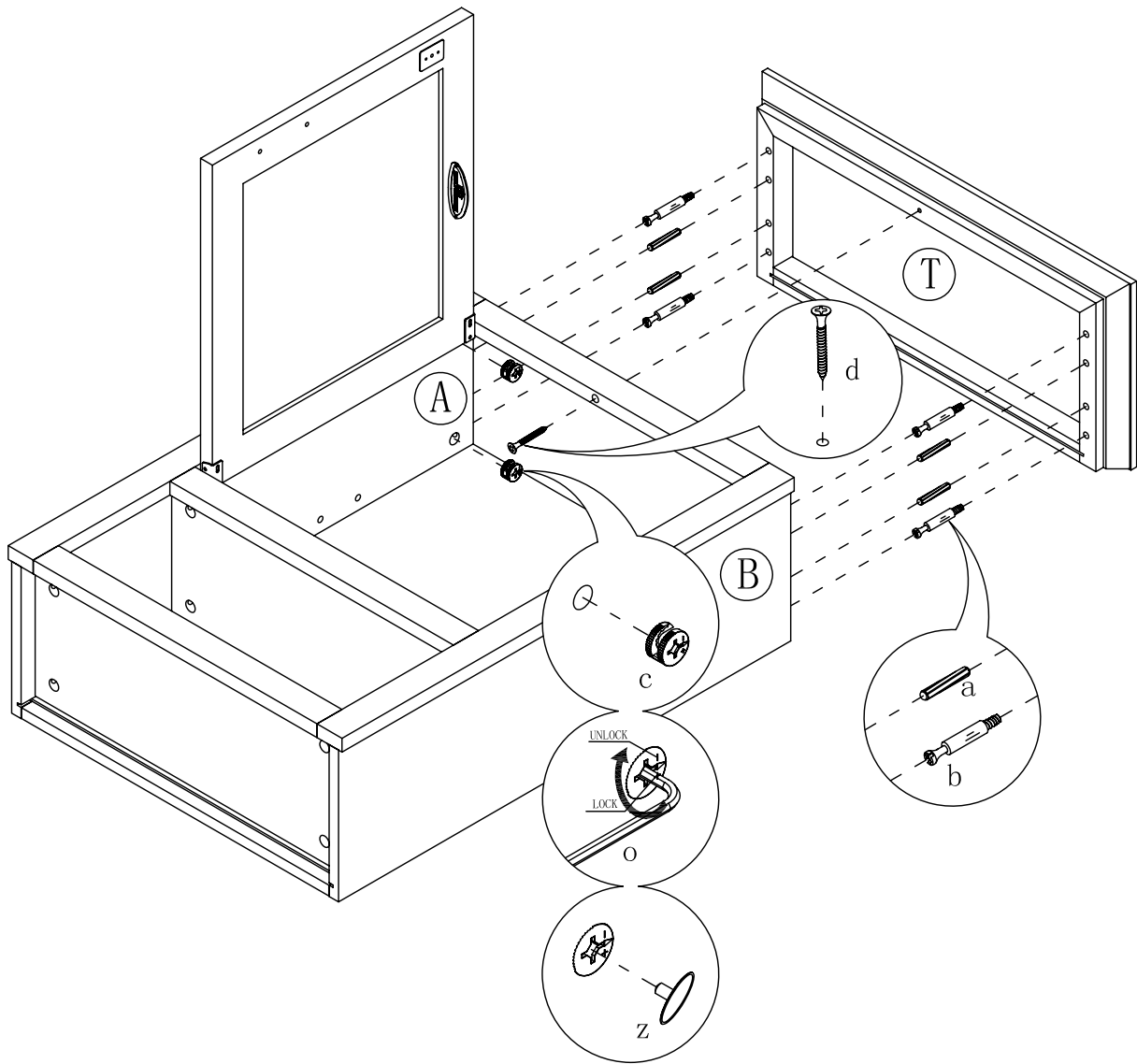


# STEP 5

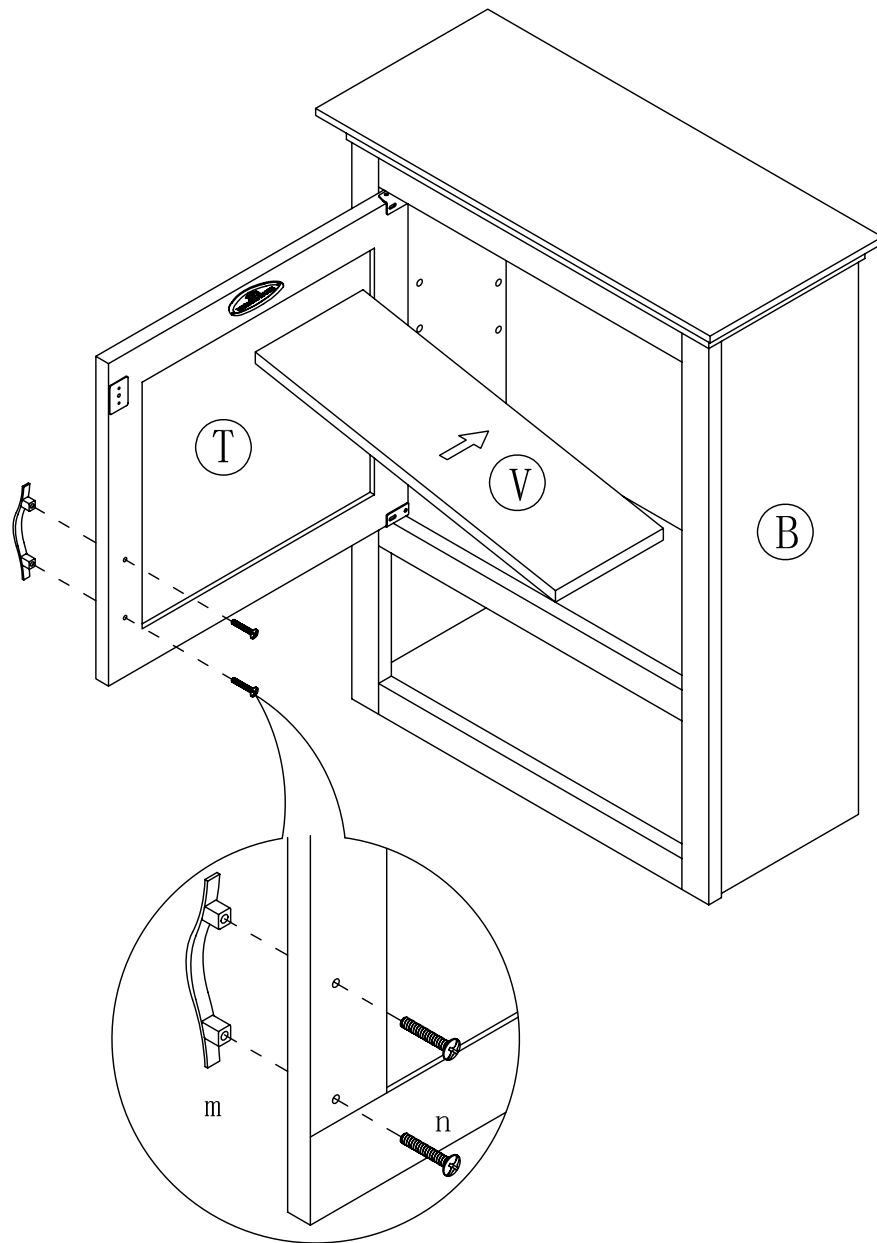




# STEP 6



# STEP 7



# STEP 8

