

# Richland Bi-View Medicine Cabinet

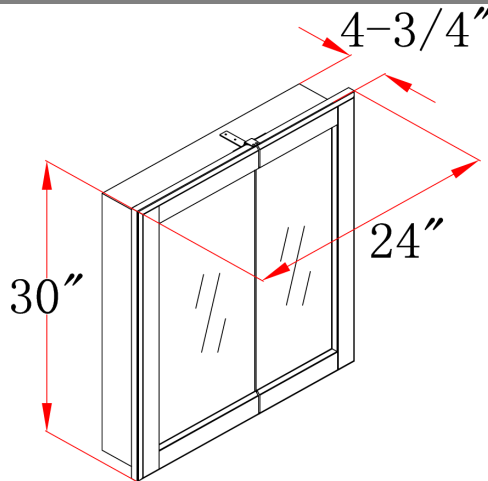


## Specifications

- Nutmeg oak finish
- Exposed hinges
- Pre-assembled design
- 2 Doors
- 2 Shelves
- Solid oak frame



## Dimensions



## Warranty & Compliances

**Warranty** Limited 1 year warranty  
**California 93120** Compliant



## Order Codes & Finishes/Colors

24" w x 5" d x 30" h

541201

<b>Type:</b>
<b>Job:</b>
<b>Order Code:</b>
<b>Approvals:</b>

Design House reserves the right to make changes in materials, specifications & models at any time. Design House also reserves the right to discontinue product without notice or obligation.