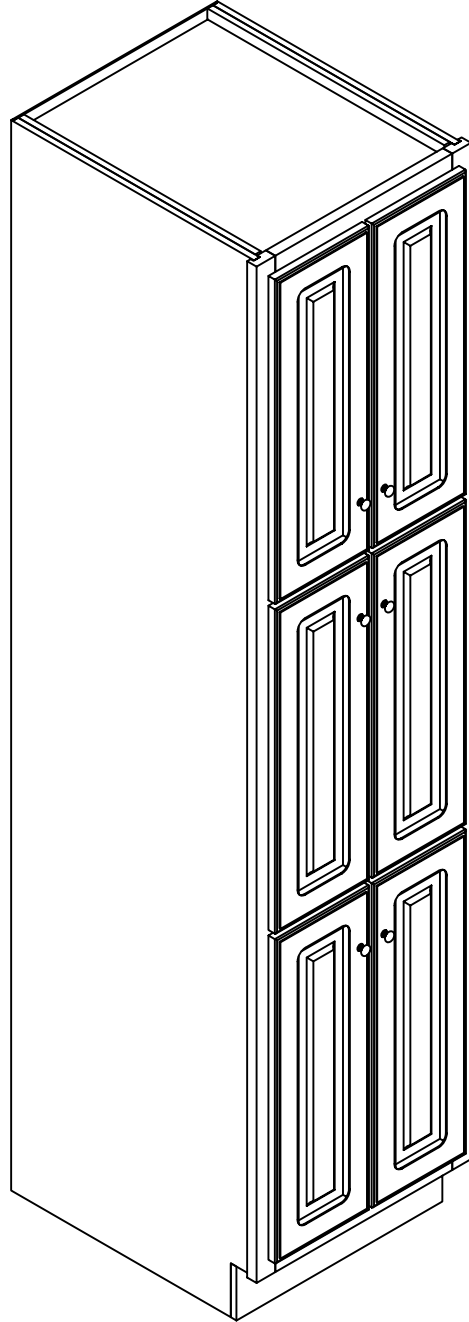




www.todaysdesignhouse.com

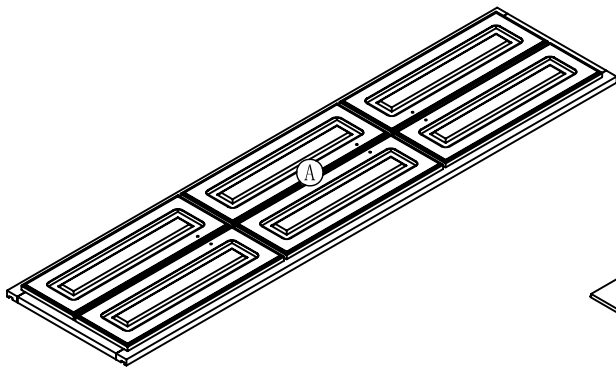


533661 541094

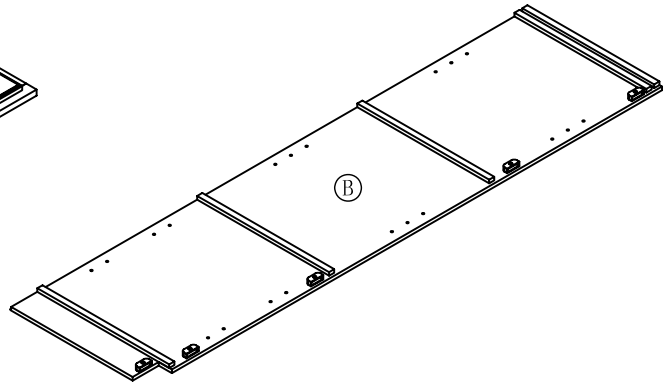
ASSEMBLY INSTRUCTIONS

DHI Corp. • 5205 W. Donges Bay Rd. • Mequon, WI 53092 • 800.558.8700

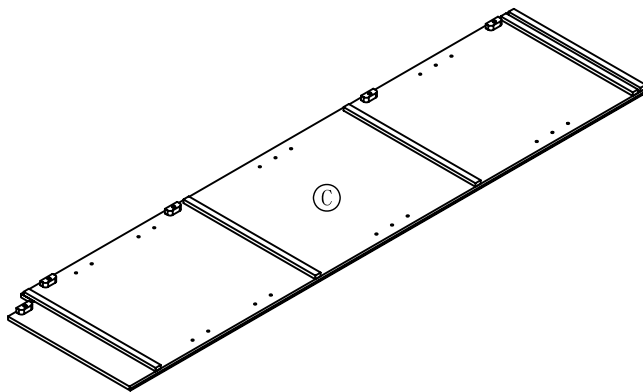
PARTS LIST:



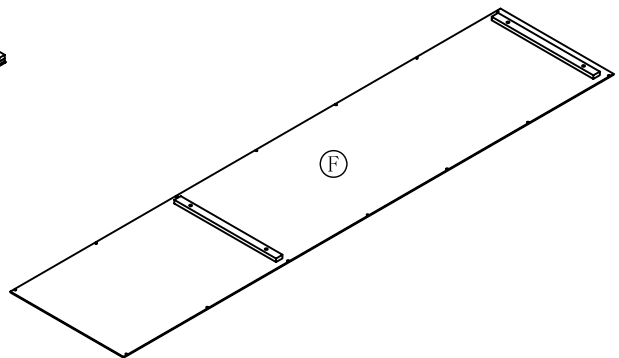
FRONT FRAME 1PC



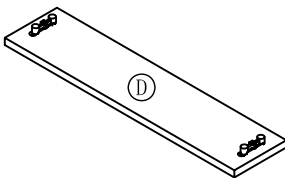
RIGHT SIDE PANEL 1PC



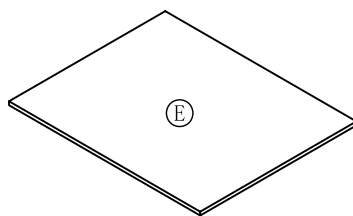
LEFT SIDE PANEL 1PC



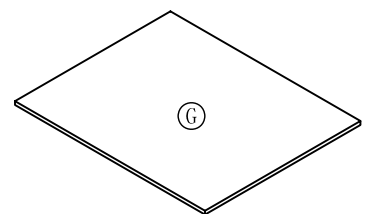
BACK PANEL 1PC



TOE KICK PANEL 1PC

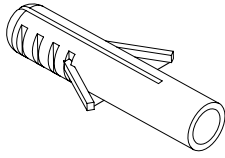


FIXED PANEL 4PCS

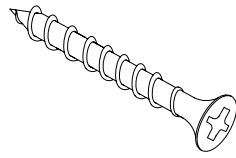


ADJUSTABLE SHELF 4PCS

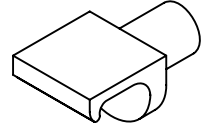
HARDWARE LIST:



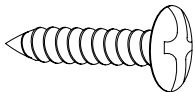
a. WALL ANCHOR 4PCS



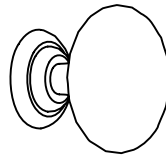
b. FLAT HEAD SCREW 4PCS



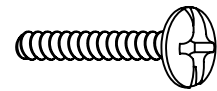
d. PIN 16PCS



g. ROUND HEAD SCREW 14PCS

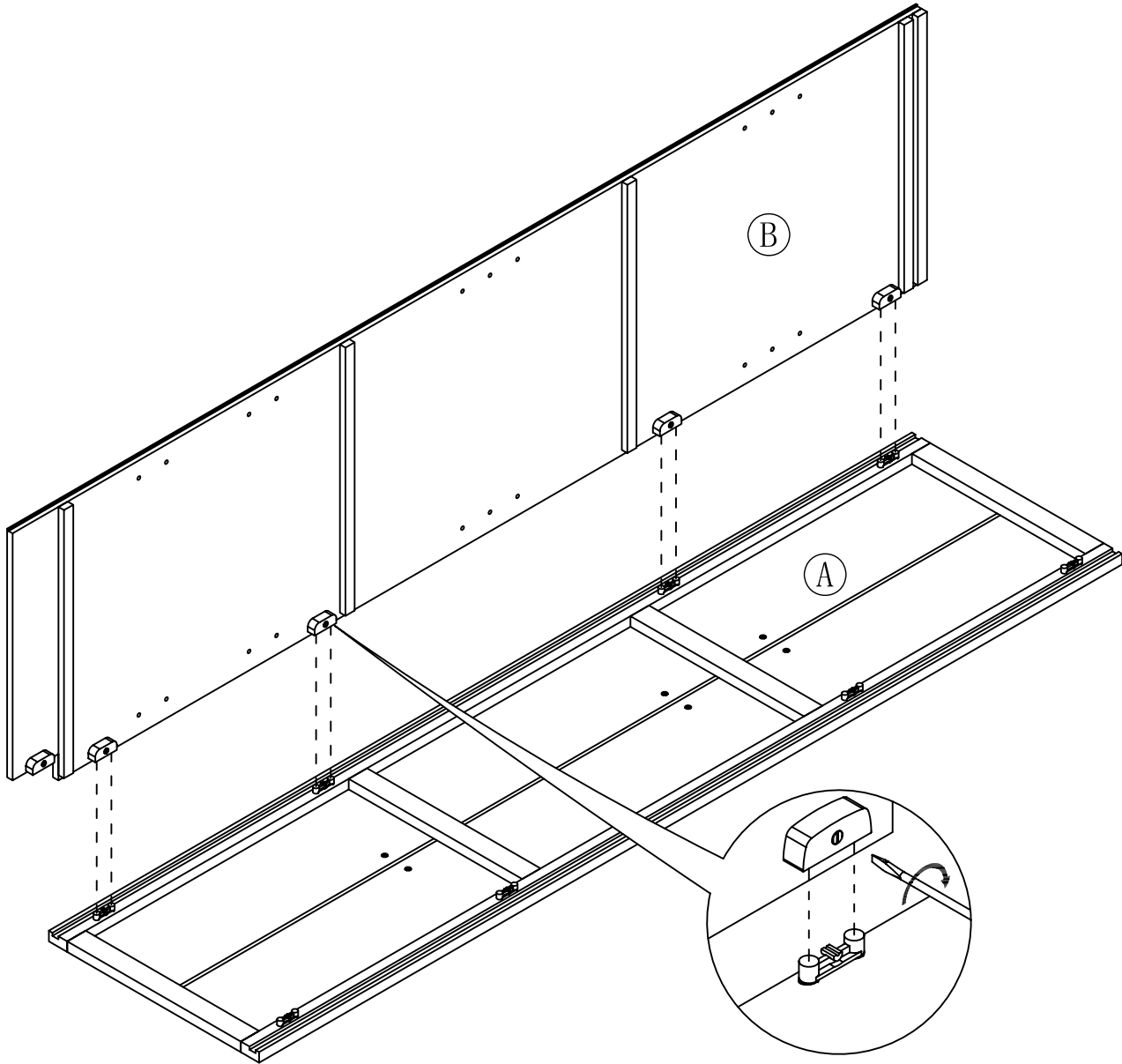


l. KNOB 6PCS

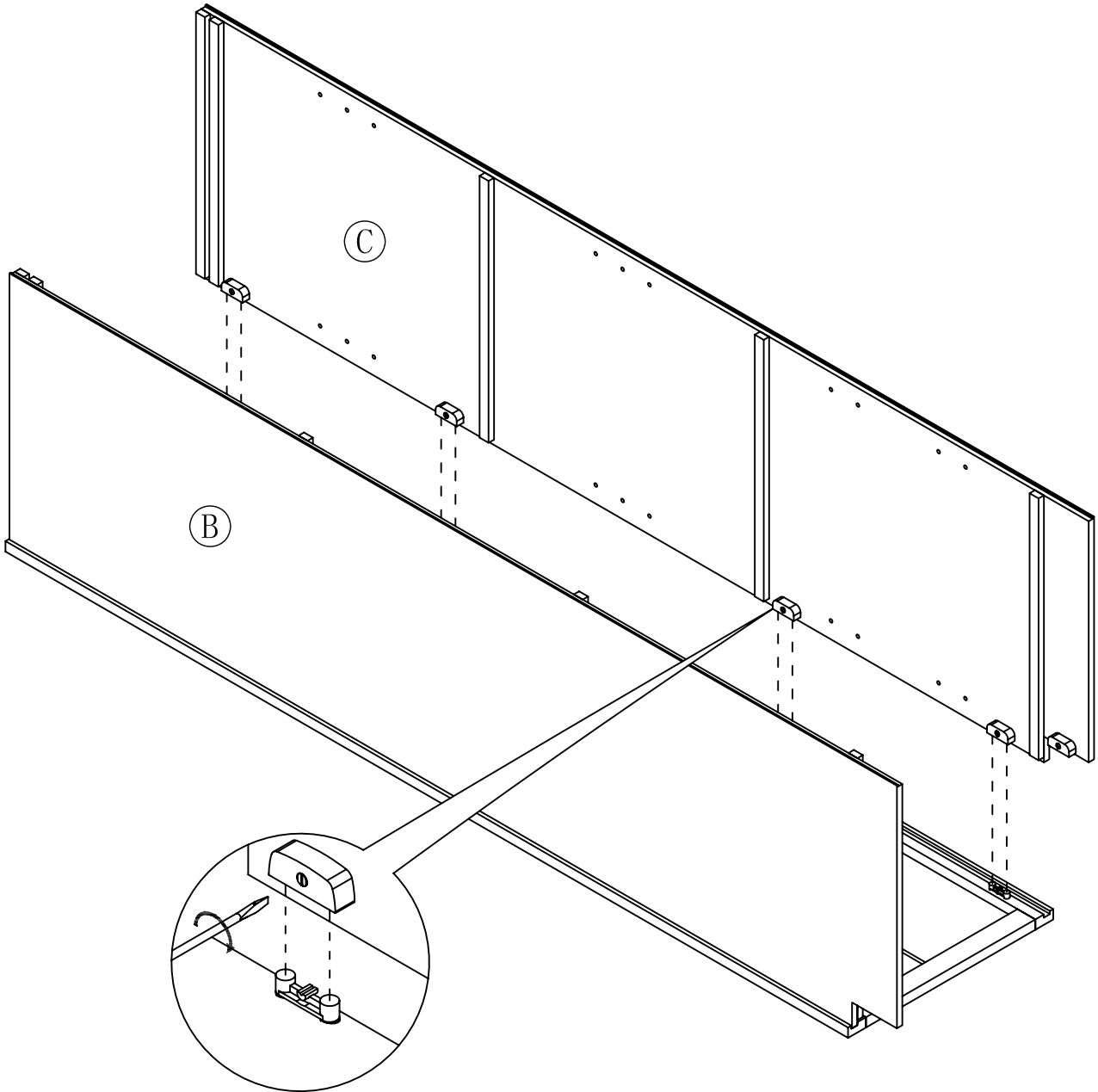


n. KNOB BOLT 6PCS

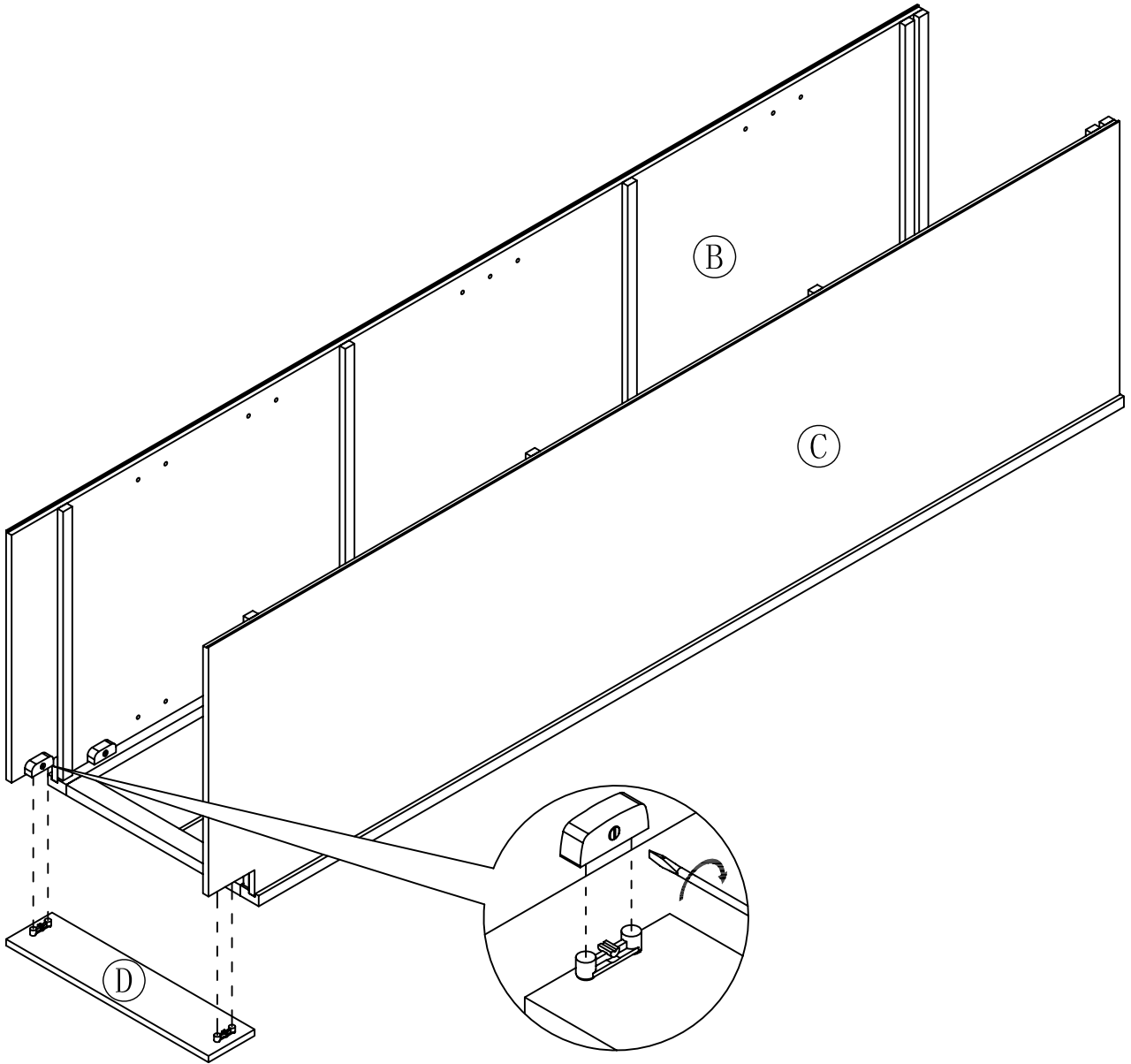
STEP 1



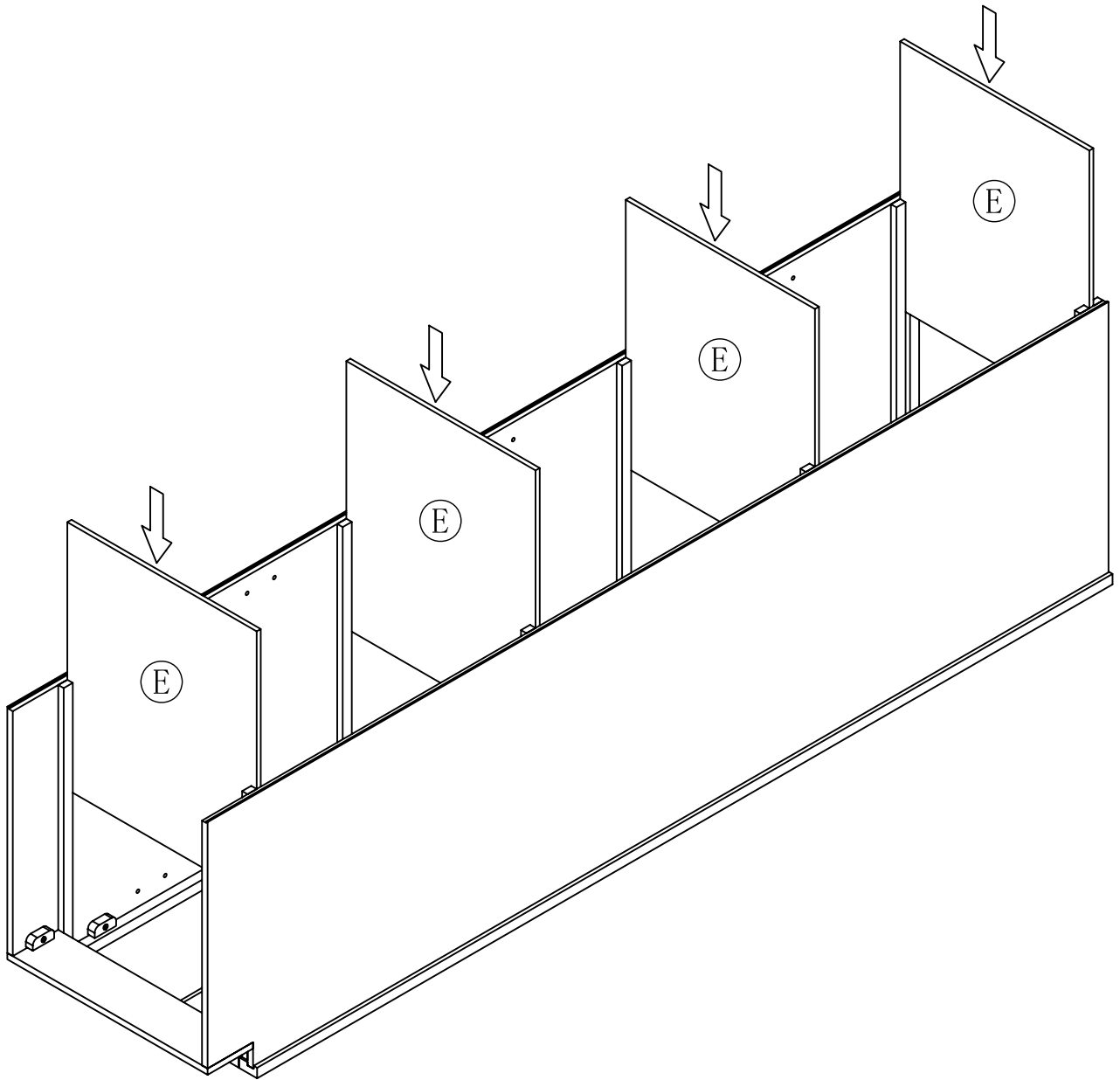
STEP 2



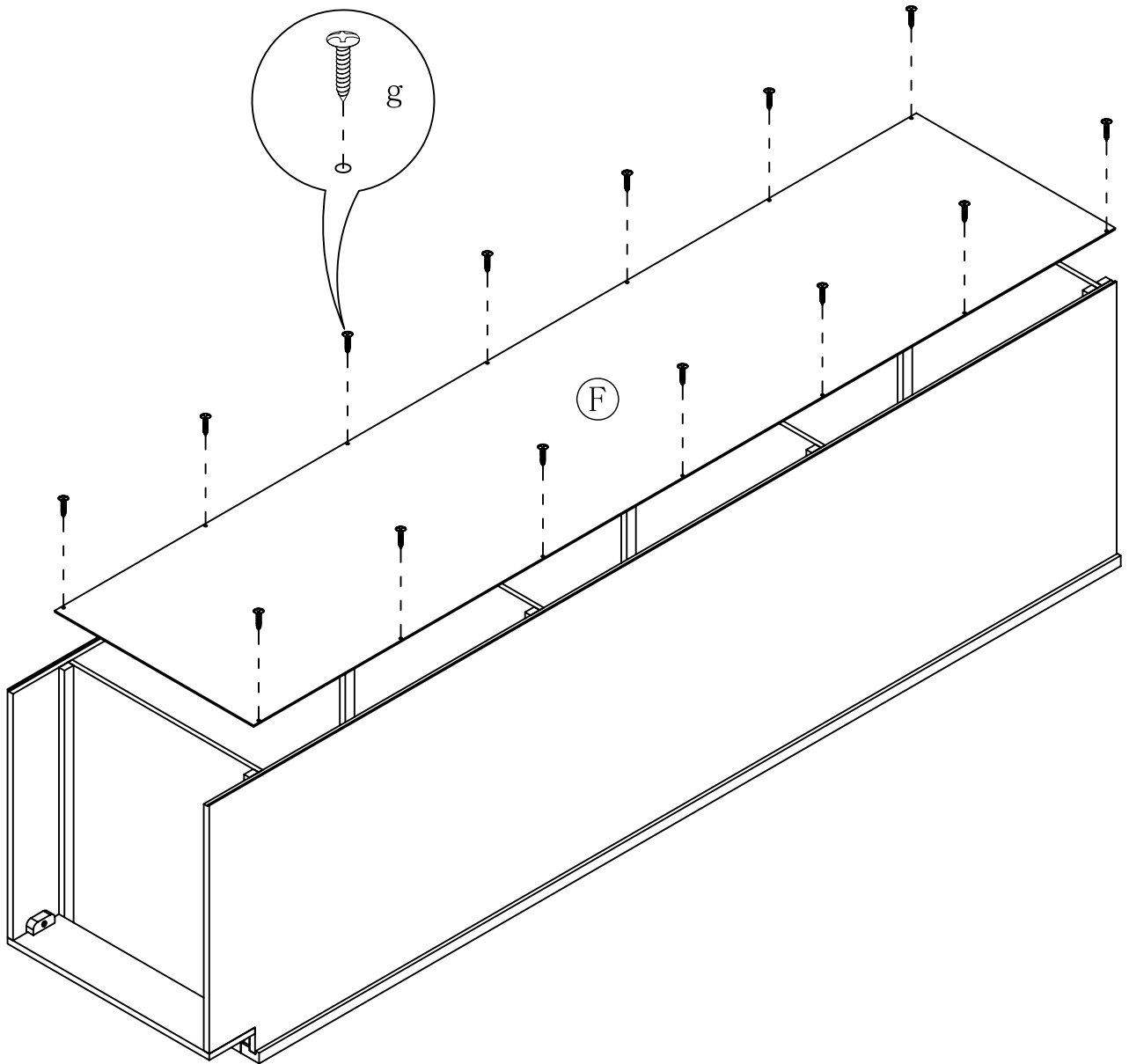
STEP 3



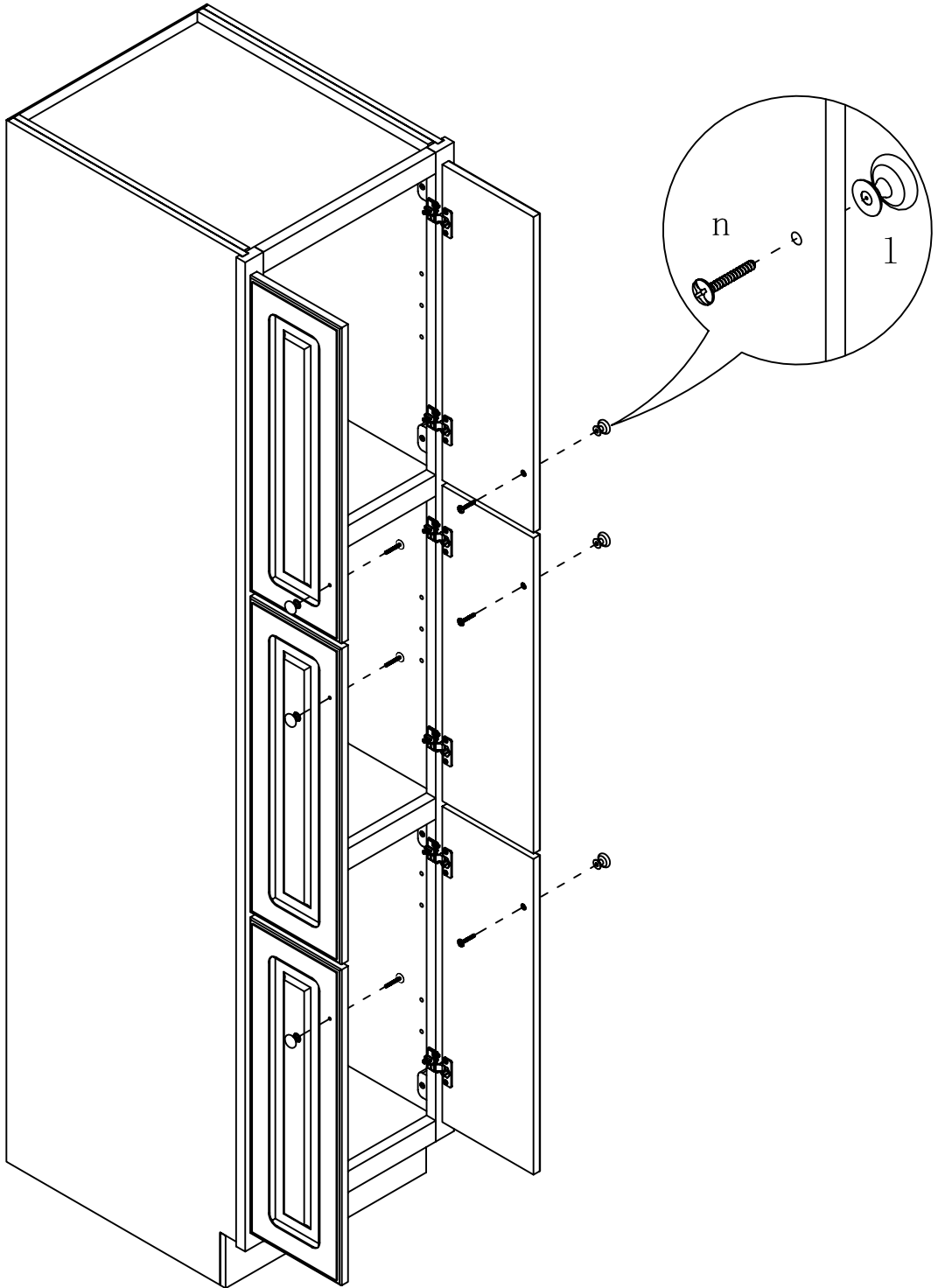
STEP 4



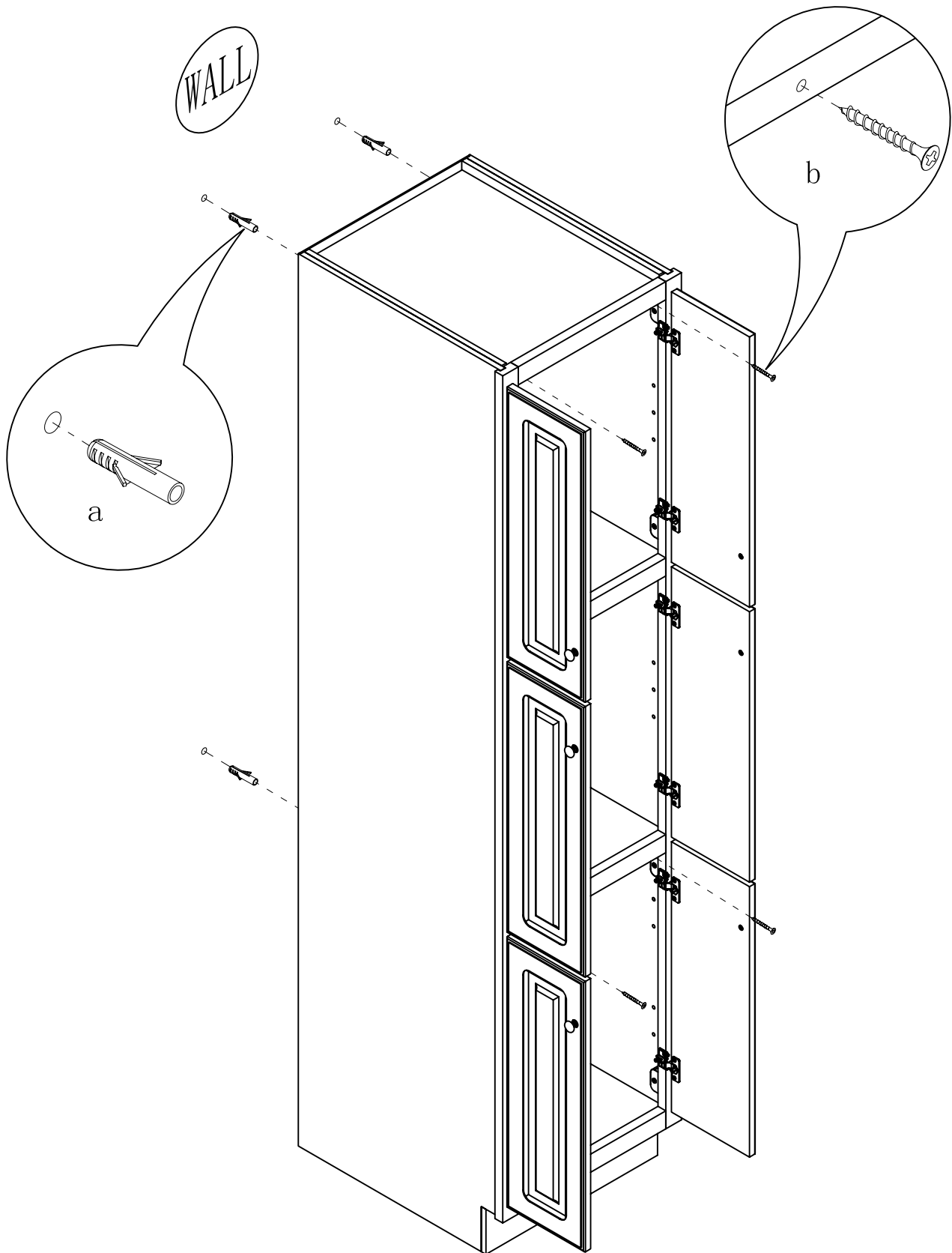
STEP 5



STEP 6



STEP 7



STEP 8

