

Richland Two Door Linen Cabinet

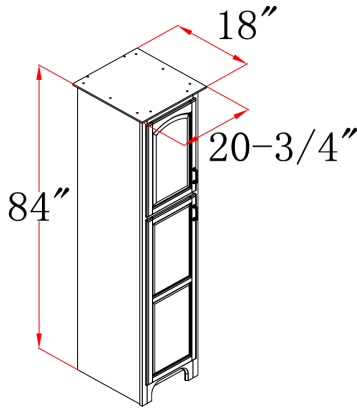


Specifications

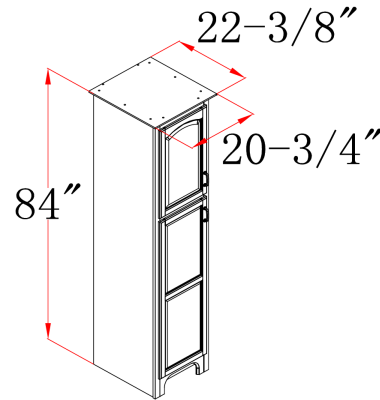
- Cam-lock connectors for fast & easy assembly
- Raised panel doors featuring square and cathedral designs
- Solid wood frame & door frames
- 2 doors and 2 adjustable shelves
- Antique brass hardware with TruMatch™ finish
- Durable water-resistant finish
- Nugmeg Oak Finish



Dimensions



541185



530444

Warranty & Compliances

Warranty Limited 1 year warranty
California 93120 Compliant



Order Codes & Finishes/Colors

18" w x 18" d x 84" h 541185
18" w x 21" d x 84" h 530444

Type:
Job:
Order Code:
Approvals:

Design House reserves the right to make changes in materials, specifications & models at any time. Design House also reserves the right to discontinue product without notice or obligation.