



CC2500 SERIES CONCRETE SAW

Delivers the Power of a Large Saw with the Compactness and Economy of a Small One!

Economical screw feed raise and lower mechanism standard or with optional power raise/lower assembly

Variety of gas, electric or hydraulic engine options up to 27 horsepower

Positive gear drive to rear axle via Eaton hydrostatic transmission

Now offered with hydraulic raise/lower on all models

Maximum cutting depth 10-3/8" with 26" guard



2 position tilt handle bars

Choice of 14", 20" or 26" slip-on blade guards

Large 5-Gallon fuel capacity for longer sawing between refills

Rigid high strength 3/16" steel box frame with heavy bar reinforcement

1-1/2" diameter bladeshaft with bearings that are greaseable from the top of the frame

CC2500 SPECIFICATIONS



CC2500 Control Panel
(shown with optional raise/lower control button)

Cutting Depth Chart

Blade Diameter	14"	20"	26"
Cutting Depth	4-3/8"	7-3/8"	10-3/8"

CC2500 Specifications

Maximum Depth of Cut: 10-3/8"
Blade Shaft Diameter: 1-1/2"
Arbor Diameter: 1" with single drive pin
Blade Shaft Bearings: Self-aligning pillow block ball
Blade Shaft Drive: 4 belt through 25 HP, 5 belt for 27 HP
Blade Mounting: Right or left
Blade Raise and Lower: Precision ACME screw feed standard, power raise/lower assembly optional
Blade Coolant: Dual multi-spray tubes
Blade Guard Attachment: Slip-on
Front Wheel Dimensions: 6" x 2" x 1"
Rear Wheel Dimensions: 8" x 2" x 1"
Handle Bars: Tilt
Transmission: Eaton Model 6
Drive Speed: 0-130 feet per minute
Fuel Capacity: 5 gallons
Electric Start: Standard
Tach/Hour Meter: Standard
Low Oil Alert: Standard
Cutting Depth Indicator: Standard
Quick Disconnect Blade Flanges: Standard
Frame Lift: Standard

CC2500 Saws

Model No.	Engine Type	P/N	Cat. No.	Blade Capacity	Uncrated Wt.*
CC2515E-14	15 HP Leeson Electric **	5800400	48413	14"	700 lbs.
CC2515E-20	15 HP Leeson Electric **	5800401	48022	20"	710
CC2515E-26	15 HP Leeson Electric **	5800402	48414	26"	720
CC2520H-14	20 HP Honda ❖	5800406	48418	14"	600
CC2520H-20	20 HP Honda ❖	5800407	47164	20"	610
CC2520H-26	20 HP Honda ❖	5800408	48419	26"	620
CC2524H-14	24 HP Honda	5800492	48423	14"	590
CC2524H-20	24 HP Honda	5800493	48424	20"	600
CC2524H-26	24 HP Honda	5800494	48425	26"	600
CC2525HY-14	25 HP Hydraulic †	5800489	48426	14"	600
CC2525HY-20	25 HP Hydraulic †	5800490	48427	20"	600
CC2525HY-26	25 HP Hydraulic †	5800491	48428	26"	600
CC2527KC-14	27 HP Kohler Command ❖	5800597	79036	14"	600
CC2527KC-20	27 HP Kohler Command ❖	5800598	79037	20"	610
CC2527KC-26	27 HP Kohler Command ❖	5800599	78816	26"	620

** Specify 230V or 460V. 575V motors available upon request.
50 cycle motors also available (includes motor switch box).

❖ Includes remote cyclone air cleaner.

† Requires 25 GPM @ 2000 PSI maximum input flow.

*add 70 pounds for crated weight.

CC2500 Options

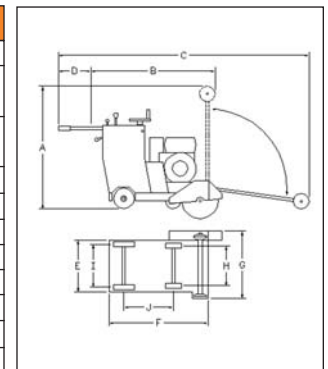
Description	Part No.	Cat. No.
Water Safety Switch *	6047932	47451
Water Pump (electric) *	6047933	48432
Spot Light *	6047934	48433
Electric Raise/Lower Assy. for Gas Saw	6047967	48002
Electric Raise/Lower Assy. for Electric Saw **	6047970	47467
Electric Raise/Lower Assy. for Hydraulic Saw **	6047980	52974
Hydraulic Raise/Lower Assy. for Gas Saw	6047997	78817
Hydraulic Raise/Lower Assy. for Electric Saw **	6047998	79041
Hydraulic Raise/Lower Assy. for Hydraulic Saw **	6047999	79042
Extended Blade Shaft Kit for spacing blades 3/4" to 1-1/2"	6011185	48434
Extended Blade Shaft Kit for spacing blades 1-1/2" to 2-1/4"	6011186	48141
Catalytic Muffler for 20 and 24 HP Honda Engines	2501566	77694
Extra Slip-On Blade Guards:		
14" Capacity	6010070	02395
20" Capacity	6010072	02397
26" Capacity	6010074	02398

* Not available on electric saw models (CC2515E) or hydraulic saw models (CC2525HY) without Power Raise/Lower Assembly.

** Includes battery and alternator.

CC2500 Dimensions

A	Saw Height	47-1/2"
B	Min Length Pointer Up, Handle In	47-1/2"
C	Max Length Pointer Down, Handle Out	107-1/2"
D	Handle Extension	24"
E	Frame Width	20"
F	Frame Length	38"
G	Saw Width	26-1/2"
H	Front Axle Center Length	15-1/2"
I	Rear Axle Center Length	17-3/4"
J	Wheel Base Length	20"
	Blade Shaft Max Height	14-1/2"



Crated Saw Dimensions: 52" L x 34" W x 55" H