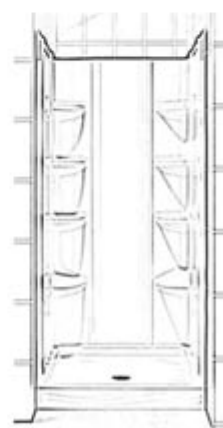
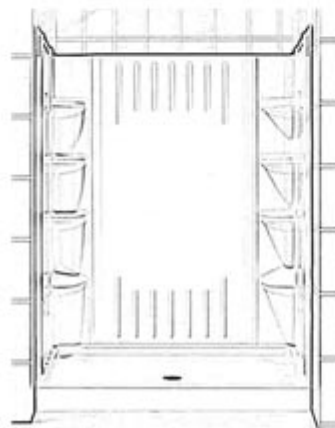
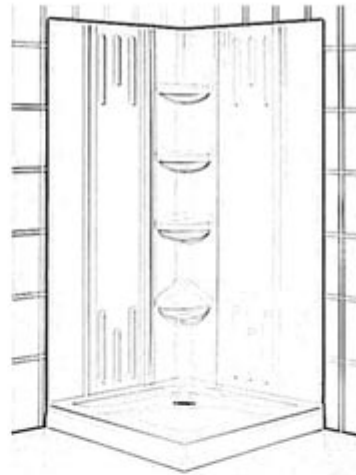
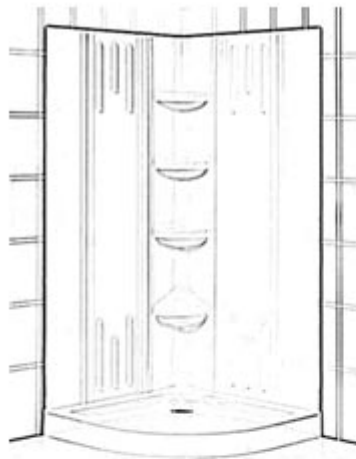




Shower Wall & Tray Kits Installation Manual

Important

Please read carefully the following instructions before installing your product. If you have any questions on this shower door installation, please call our technical support specialists Monday to Friday 9:00AM – 5:00PM EST at 1-866-731-8378 Option 3 or e-mail our technical support group at support@BathAuthority.com



Our product may have changes without prior notice



Shower Tray Installation Instructions

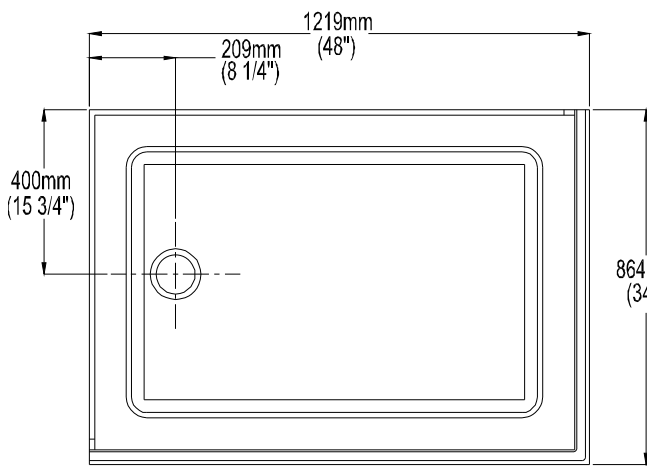
IMPORTANT

Please read carefully the following instructions before installing your shower cabin. If you have any questions on this shower cabin installation - please call our technical support specialists Monday to Friday 9:00AM – 5:00PM EST at 1-866-731-8378 Option 3 or e-mail our technical support group at support@BathAuthority.com

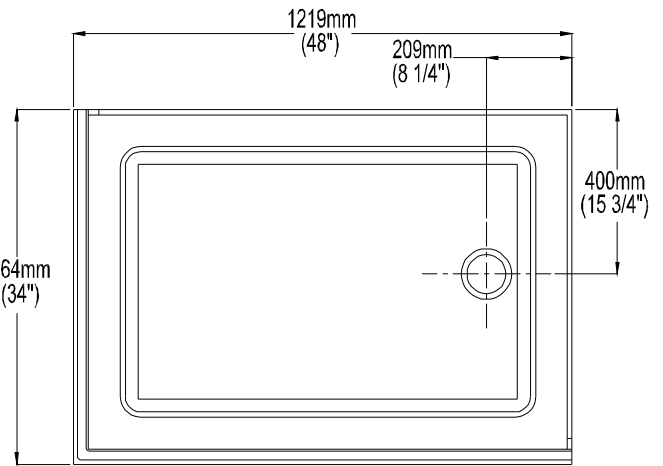
Preparation

1. After opening all the boxes, read this introduction carefully, check all the packed parts are complete by cross checking all the components against the “Detailed Diagram of Shower Cabin Components”. Examine for shipping damage. If the unit has been damaged or has a finishing defect, please contact your local distributor within 3 business days. Please note that **Bath Authority™ / DreamLine™ will not replace any damaged product or parts free of charge after 3 business days or if the product has been installed.** Contact your distributor or distributor if you have any questions.
2. **Please note that you should consult your local building codes on questions on installation compliance standards. Building and plumbing codes vary by location, and DreamLine is not responsible for code compliance standards for your project.**
3. Install all of the required plumbing and drainage before securing the shower. **Use a competent and licensed (if required by local code) plumber for all plumbing installation.**
4. Please insure that prior to the installation the floor is leveled and solid and will be able to support the total weight of the unit and its occupant. Also make sure the walls are at right angles. While some adjustment in leveling of the tray is possible, irregular floor level or improper angle of side walls will result in serious problems for your installation. Please, note that there are some adjustments and drilling might be necessary during the installation process.

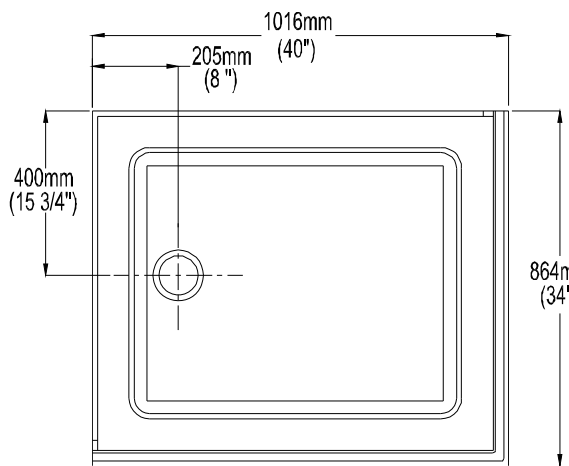
IMPORTANT NOTE: *Dimensions provided for reference only. You must measure the actual shower tray sizes before installation. Allowed tolerance for center of the drain is $\pm\frac{1}{2}$ ”.*



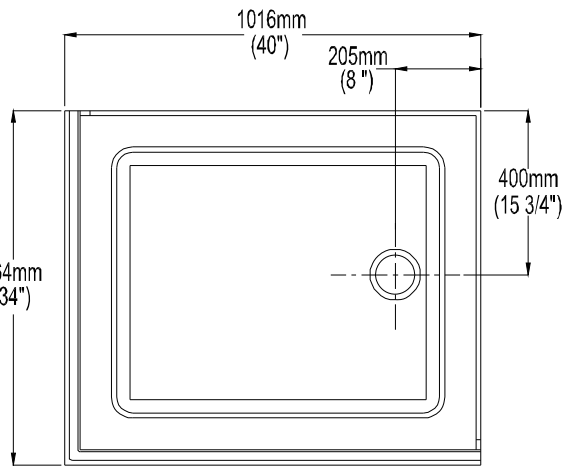
SHTR-1034481



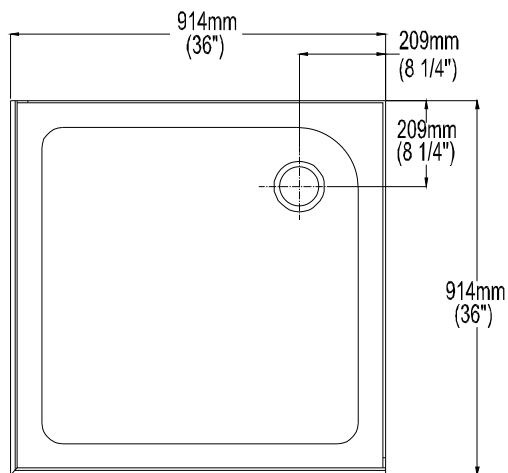
SHTR-1034482



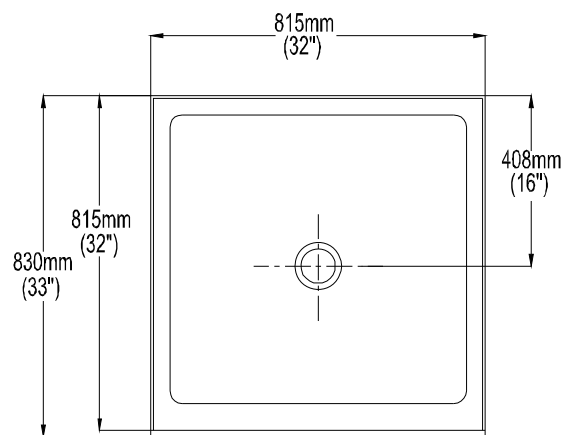
SHTR-1034401



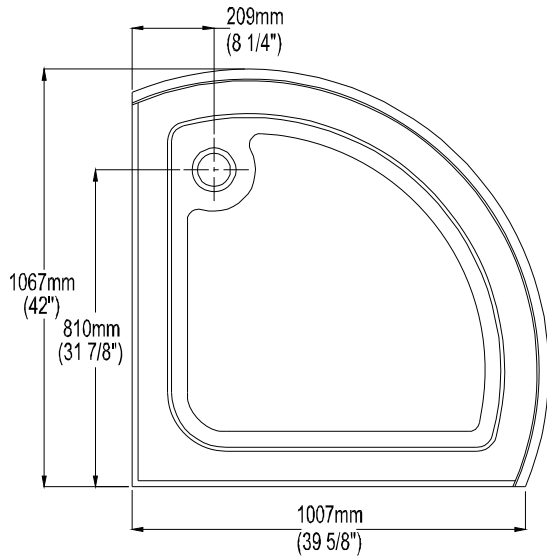
SHTR-1034402



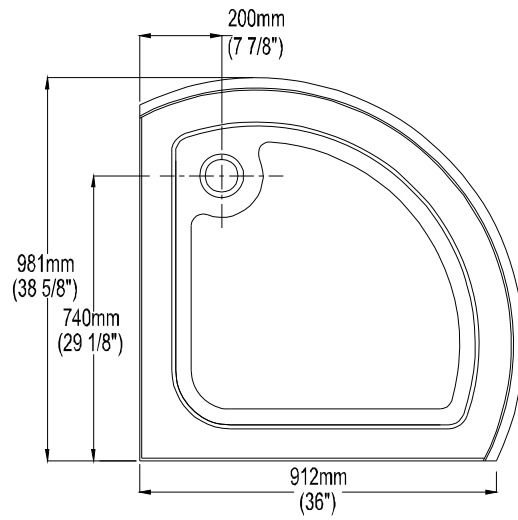
SHTR-1036360



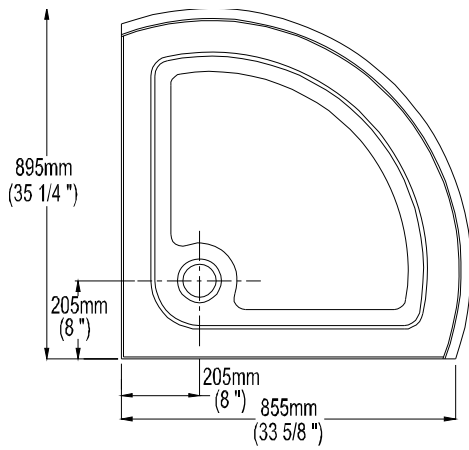
SHTR-1132320



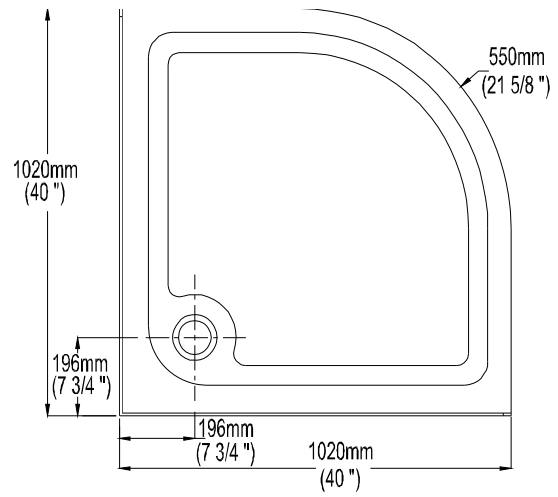
SHTR-404040



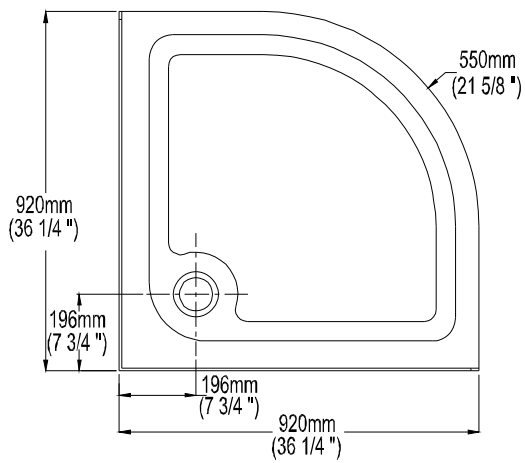
SHTR-403636



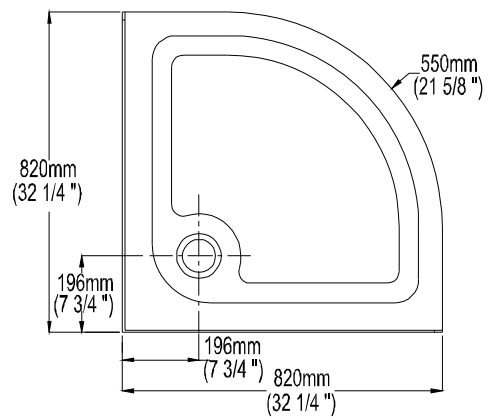
SHTR-403434



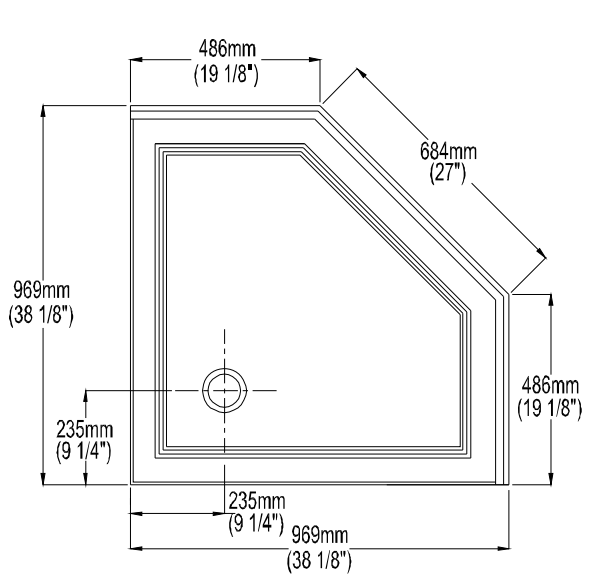
SHTR-704040



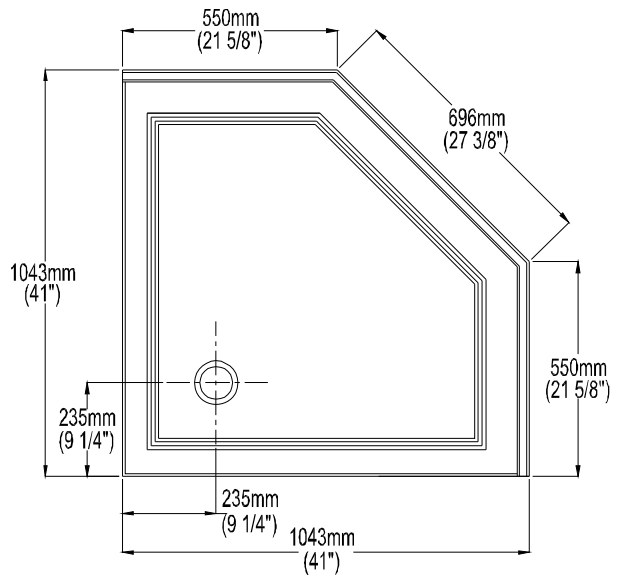
SHTR-703636



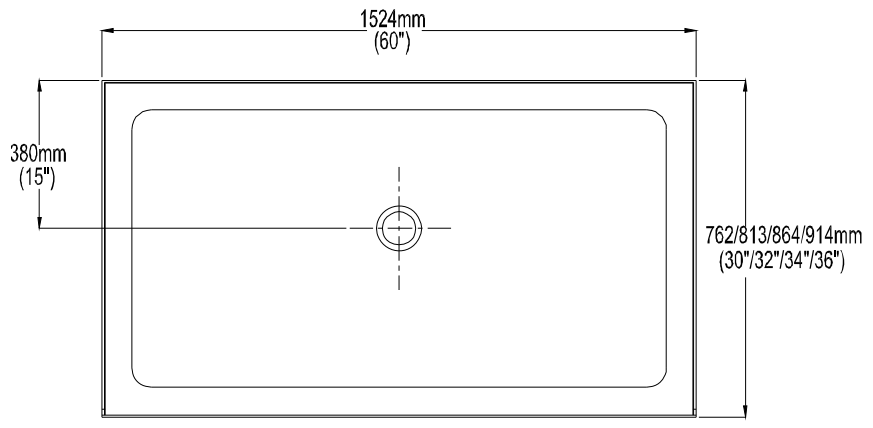
SHTR-7032320



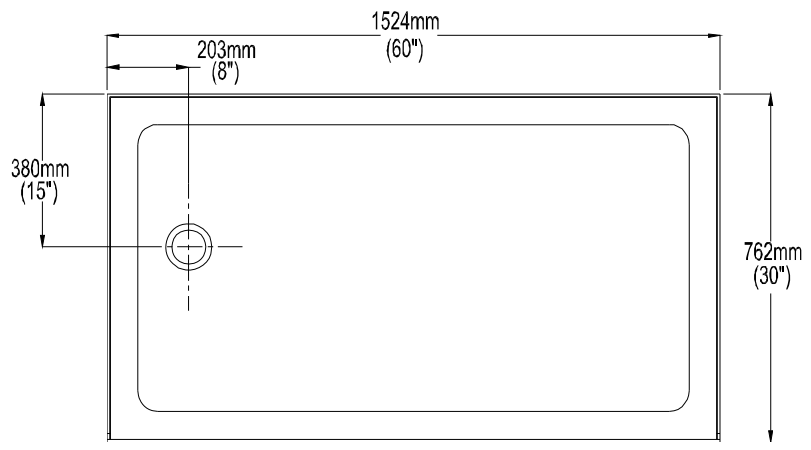
SHTR-2038380



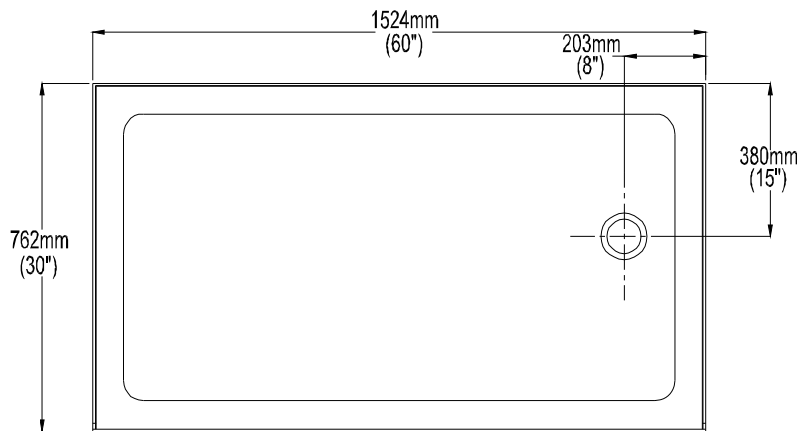
SHTR-2041410



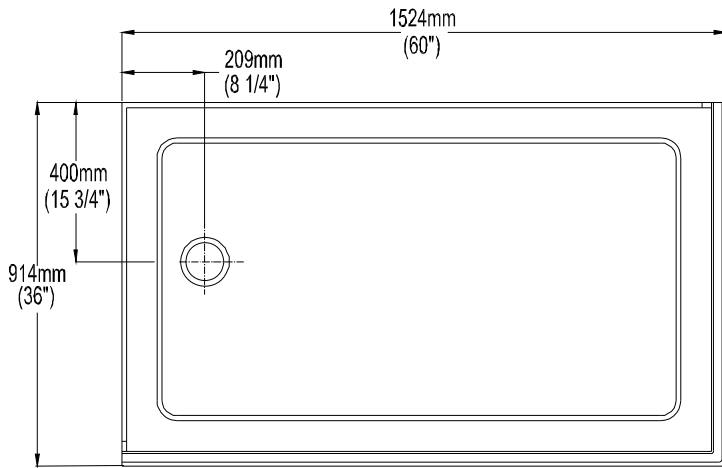
SHTR-11 30/32/34/36 600



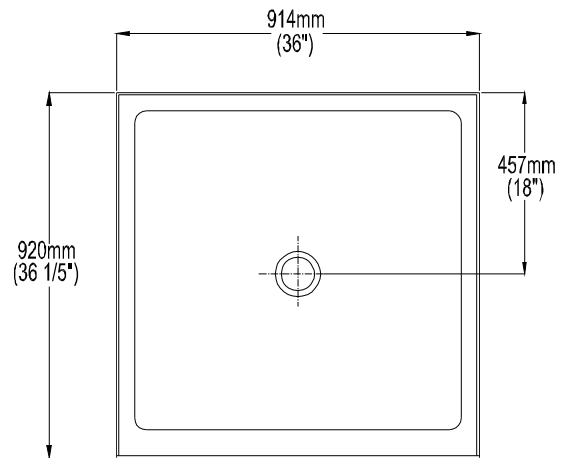
SHTR-1130601



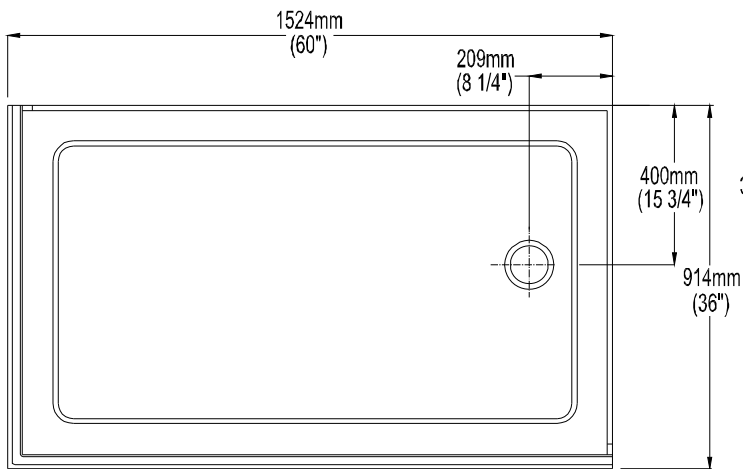
SHTR-1130602



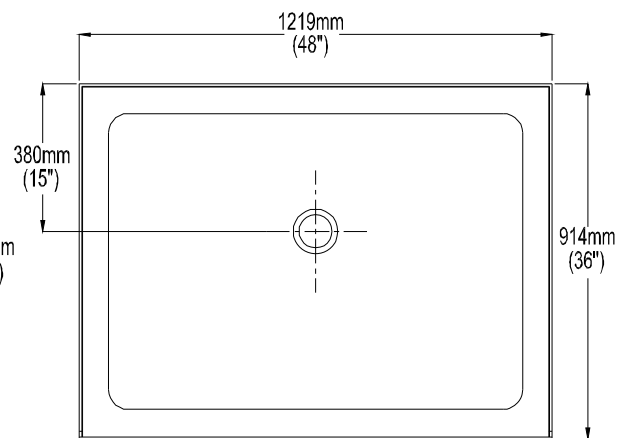
SHTR-1036601



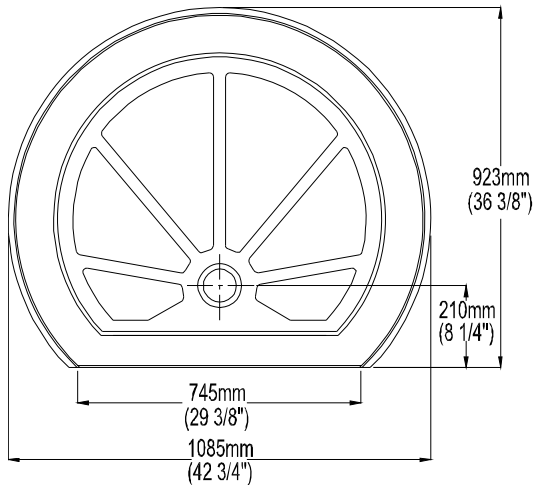
SHTR-1136360



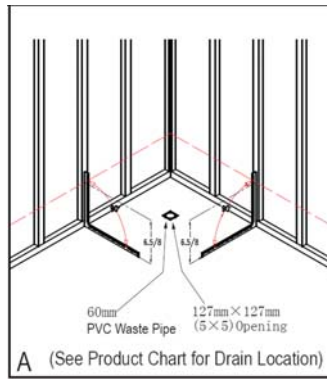
SHTR-1036602



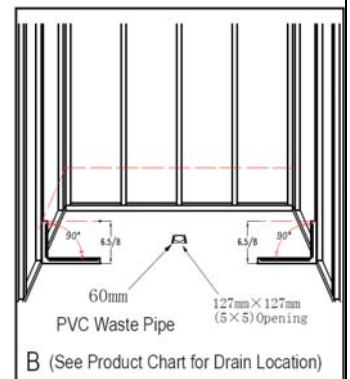
SHTR-1136480



SHTR-5037430



A (See Product Chart for Drain Location)



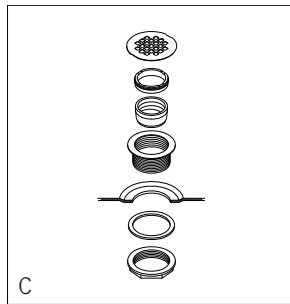
B (See Product Chart for Drain Location)

①

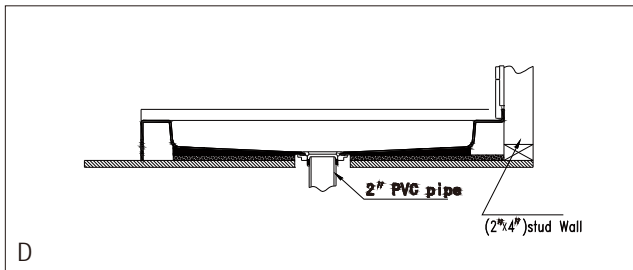
Ensure the floor and stud walls are at the right angle. Provide a 5"×5" opening in the floor for the drain (Pic A&B). The waste pipe should extend above the surface of the sub-floor. See product drawings on this page for the specified drain locations.

②

Install shower drain according to the drain installation manual (supplied with the drain)



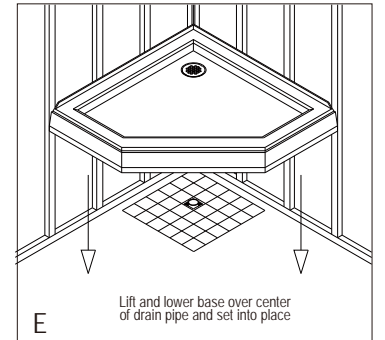
C



D

③

- 1) Place the tray in to the installation position (Pic E&F)
- 2) Level tray and place marks on studs on the upper edge of the tile flange
- 3) Remove the tray from the place (Pic E&F)
- 4) Mix the bedding material (Mortar, Plaster, etc). Concrete is not recommended. Apply enough bedding material to support the entire bottom of the shower base.

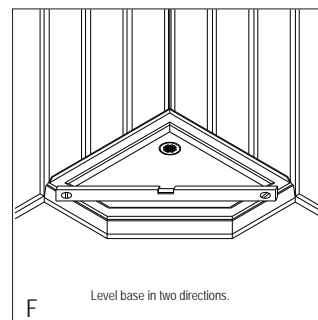


E

Lift and lower base over center of drain pipe and set into place

④

After the bedding material has been poured and before it sets, place the shower base into the position with the drain assembly sliding over the waste pipe (Pic E); it will be necessary to push the shower base until the top of the tile flange aligns with the marks drawn on the wall studs and the front edge is contacting the rough floor along the entire length of the shower base. Ensure that the base is level in two directions (Pic F). You may need to use shims to hold the tray in the level until the bedding settles and supports the tray. Remove all extra mortar.

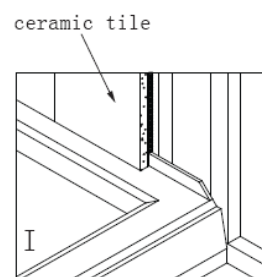
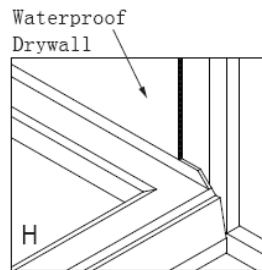
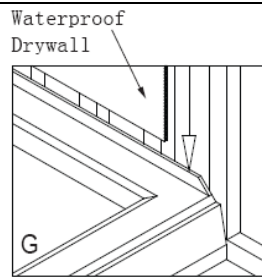


F

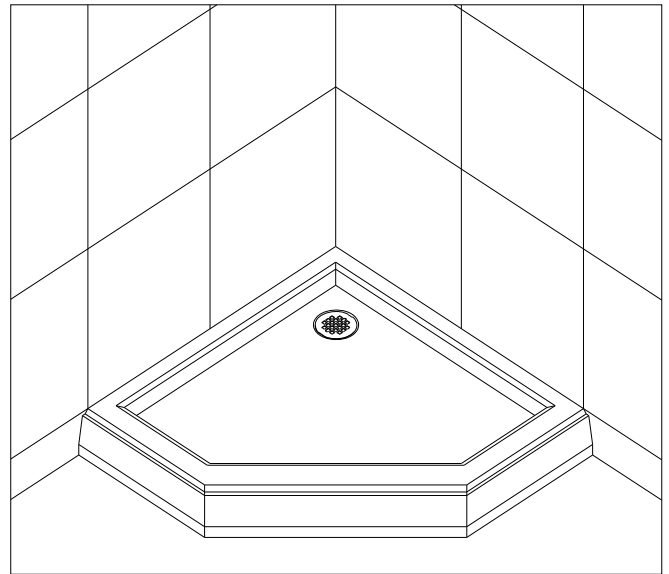
Level base in two directions.

⑤

Allow the bedding material to completely harden before applying weight to the bottom of the shower base.



⑥



Acrylic Cleaning. Acrylic should be cleaned with warm water and a clean, nonabrasive cloth. If desired, a mild, nonabrasive detergent may also be used. Use only light pressure when cleaning frequently. Dry by blotting gently with a clean, dry cloth.

DO NOT USE window cleaning sprays, alcohol, kitchen abrasive compounds, or solvents (such as acetone, gasoline, or thinners). Do not use ammonia based cleaning solutions on the acrylic as it will eat in the surface and cause it to damage.

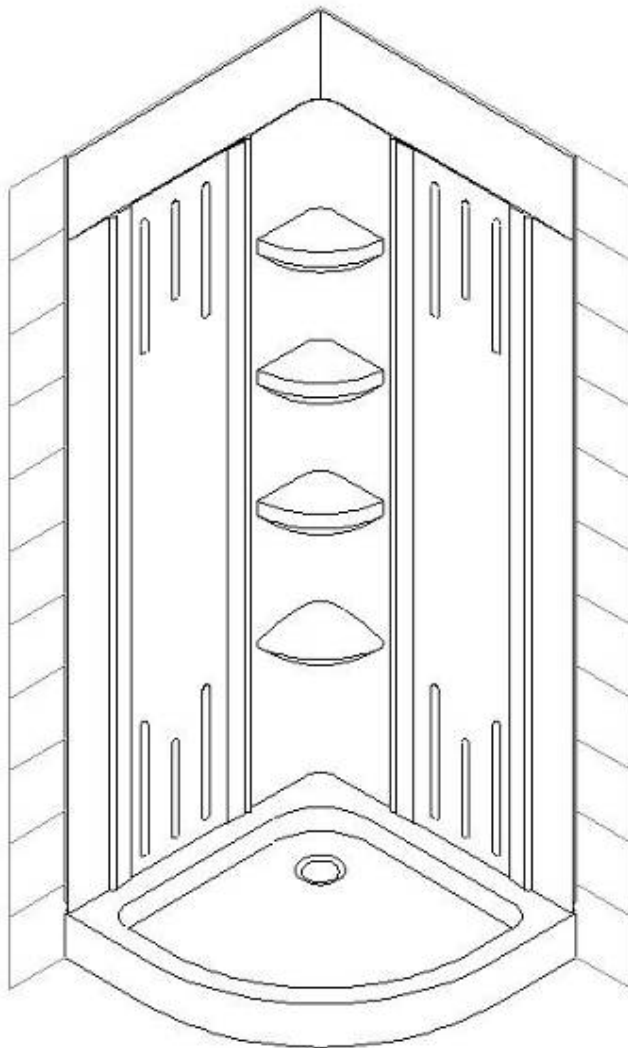
How do you get scratches out of Acrylic? For light scratches, use a buffing compound such as car wax. Lightly buff the surface by hands until scratches disappear.



Acrylic Walls Installation Instructions

IMPORTANT

Please read carefully the following instructions before installing your shower acrylic walls. If you have any questions on this shower acrylic walls installation - please call our technical support specialists Monday to Friday 9:00AM – 5:00PM EST at 1-866-731-8378 Option 3 or e-mail our technical support group at support@BathAuthority.com



Our product may have changes without prior notice

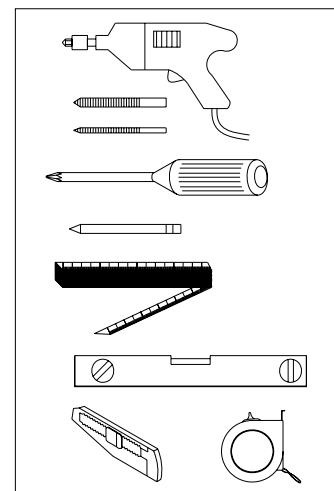
Preparation

1. After opening all the boxes, read this introduction carefully, check all the packed parts are complete by cross checking all the components. Examine for shipping damage. If the unit has been damaged or has a finishing defect, please contact your local distributor within 3 business days. Please note that **Bath Authority™ / DreamLine™ will not replace any damaged product or parts free of charge after 3 business days or if the product has been installed.** Contact your distributor if you have any questions.
2. **Please note that you should consult your local building codes on questions on installation compliance standards. Building and plumbing codes vary by location, and DreamLine is not responsible for code compliance standards for your project.**
3. This acrylic wall system is specially designed to be installed over any solid surface. It can be used with most shower enclosures with recommended sizes over existing walls or in a new construction.
4. If you are installing the acrylic walls over existing tiles, remove all loose tiles before installing. If you are installing over existing painted walls, take all loose paint off.
5. Make sure to turn off water supply, remove faucet handles or any fixture trims protruding from the wall. Clean the surface removing soap film and dirt from all wall surfaces using regular household detergent, then wipe dry.

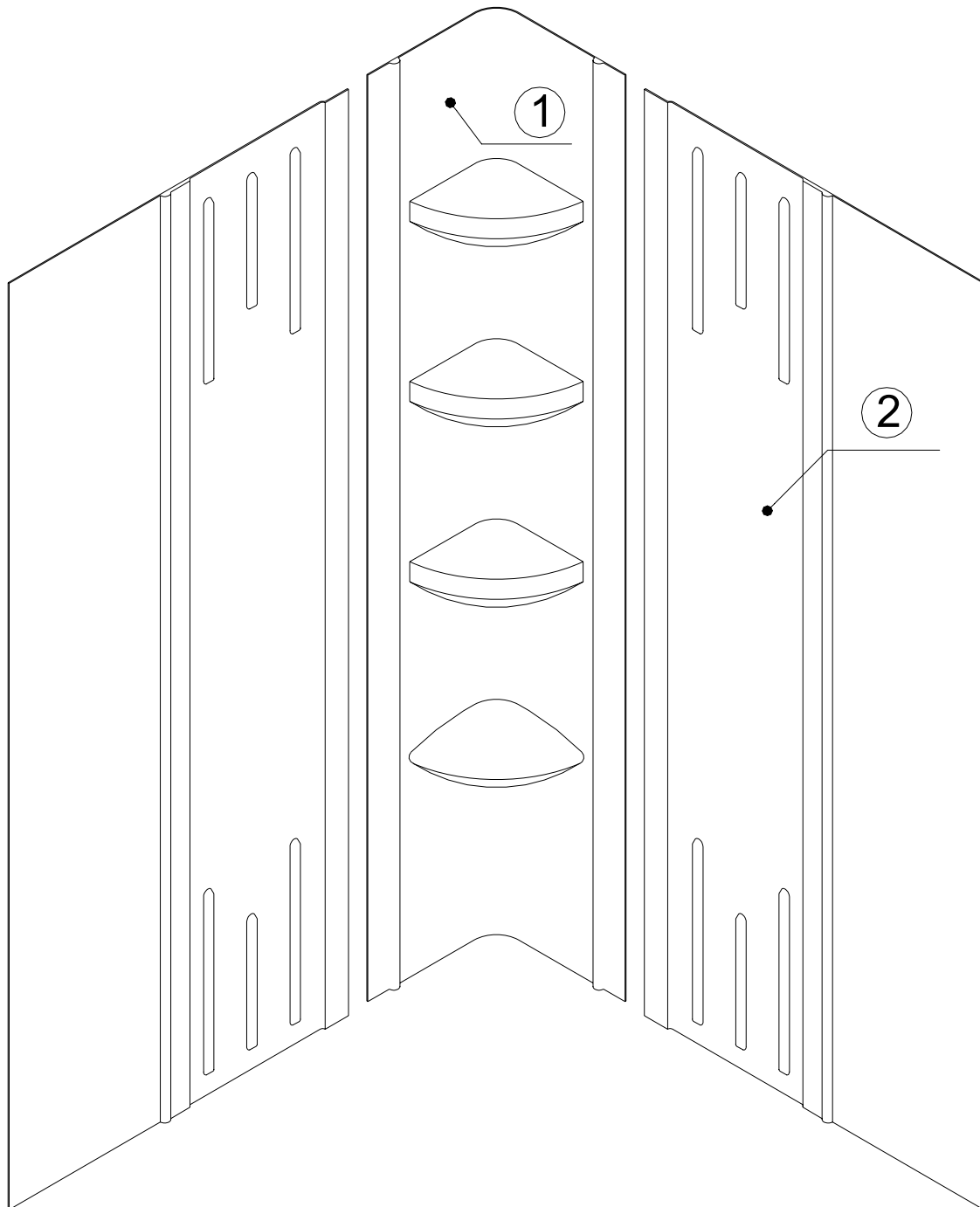
Tools Required

Pencil, Tape measure, caulking gun, Spirit level with horizontal and vertical indicators, knife, (may be required for shower enclosure installation: Electric drill, Phillips screwdriver, Slotted screwdriver) and any additional tools needed to remove faucet fixtures.

This acrylic walls system is designed to be installed in the shower enclosure space from 32" up to 40". You can use any adhesive designed for acrylic panels or clear silicone. You may also use Liquid Nails Adhesives LN-915 or LN-715. When you use any adhesive, please, follow the recommendation of the adhesive manufacturer on using their product.



Packing List



01	Corner Acrylic Wall	1 pc	02	Side Acrylic Wall	2 pcs
----	---------------------	------	----	-------------------	-------

Now that you have checked that all listed components are there, you are now ready to start the installation of your Dreamline Acrylic wall.

Acrylic Wall Installation

1. Install the tray prior acrylic back walls installation. Follow your tray installation instructions to install it properly.
2. Surface must be dry, smooth and free of any dust, soap scum or any other contaminants. Run a bead of silicone or adhesive on the corner wall piece and along the wall area where the wall corner piece will rest. It should be applied on one panel at a time or it will start to set (Fig 1 & 2).
3. Place the panel in position and apply pressure to the complete surface top to bottom to ensure good overall contact (Fig 3).
4. Run a bead of silicone down the next area where the side panel will rest (this should be the side where there are no controls or valves) (Fig 4).
5. Place the side panel in position and apply pressure to the complete surface top to bottom to ensure good overall contact. DO NOT trim (Fig 5).
6. Carefully measure and drill the holes in the second side panel which will accommodate the shower head and mixing valves. Make sure that all plumbing fixtures protrude through the acrylic walls when it is put in position (Fig 6 & 7).
7. Apply a wide bead of silicone down the area where the second panel will rest. Run a bead of silicone along the panel (make sure silicone is applied around the cut out holes) (Fig 8).
8. Place the side panel in position and apply pressure to the complete surface top to bottom to ensure good overall contact. DO NOT trim (Fig 9).
9. Without permanently installing the front enclosure, mark the outer edges of the vertical profiles (Fig 10 & 11).
10. Using knife trim the excess of the acrylic panels (Fig 12 & 13).
11. Apply a final layer of the caulking material to the vertical and horizontal outside seams where the panels are joined and meet the tub (Fig 14).

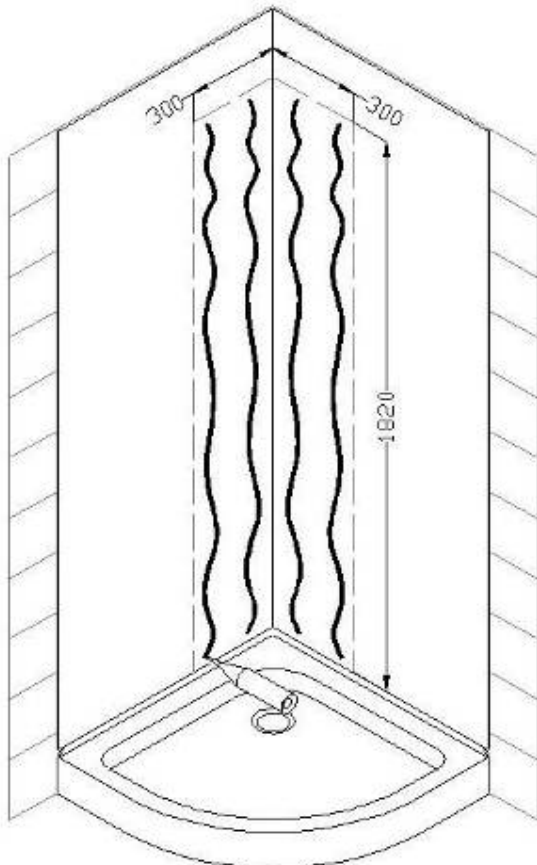


Fig 1

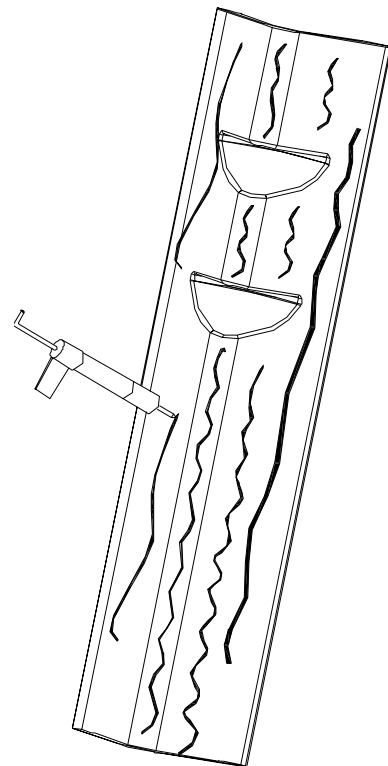


Fig 2

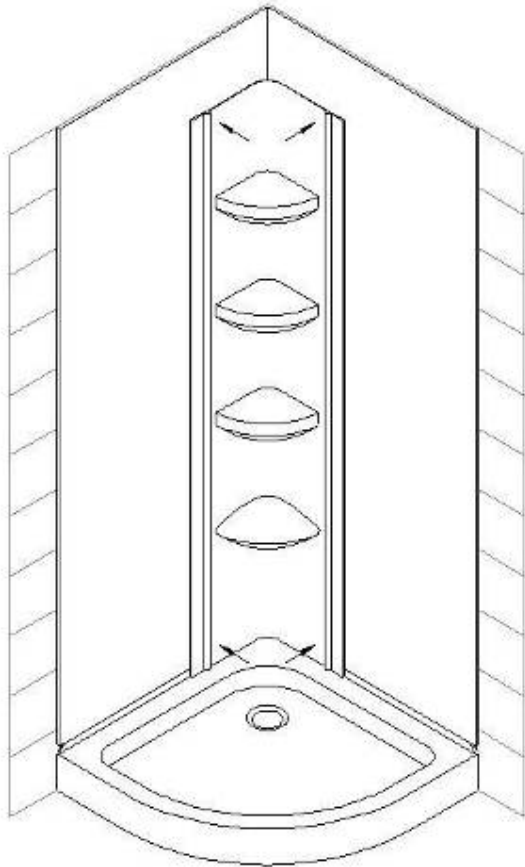


Fig 3

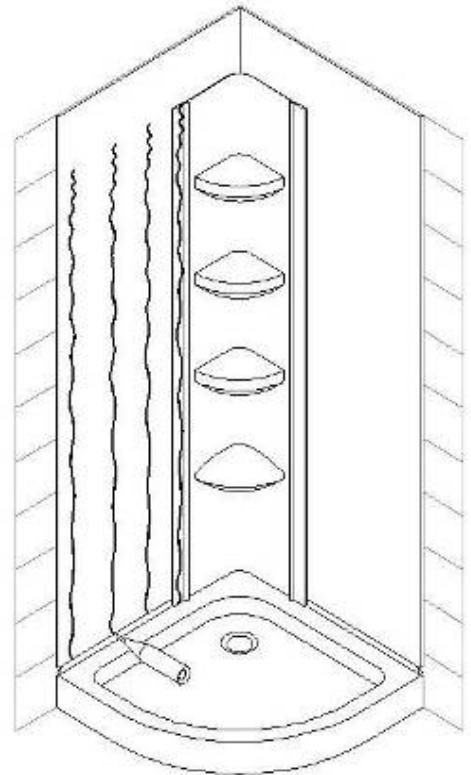


Fig 4

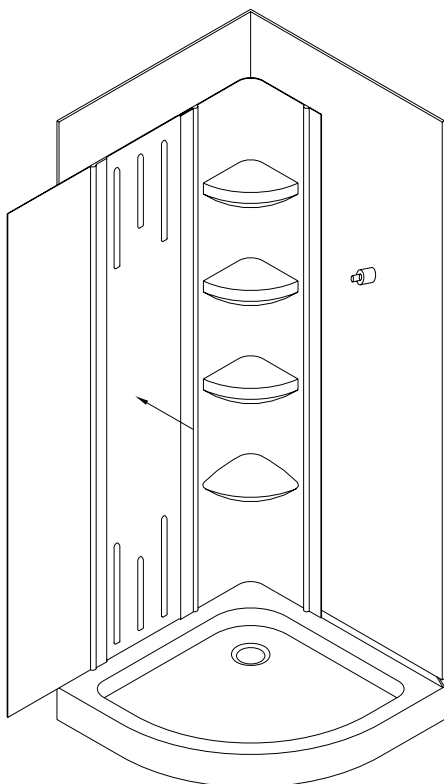


Fig 5

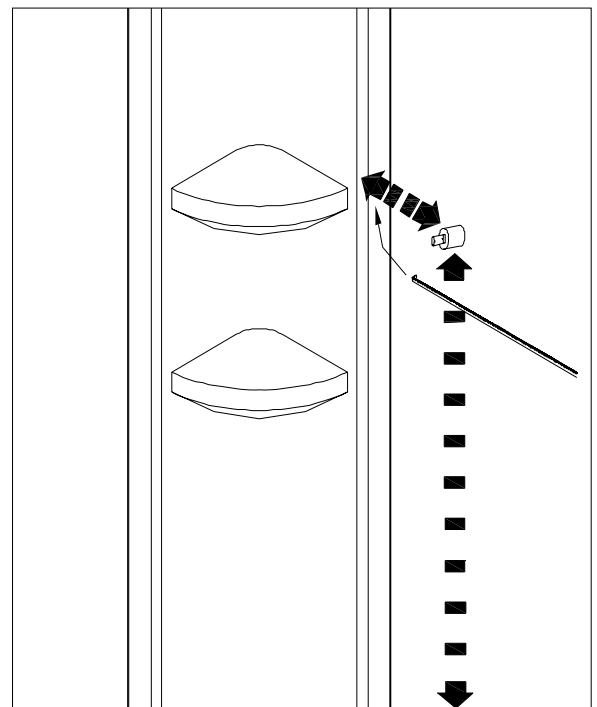


Fig 6

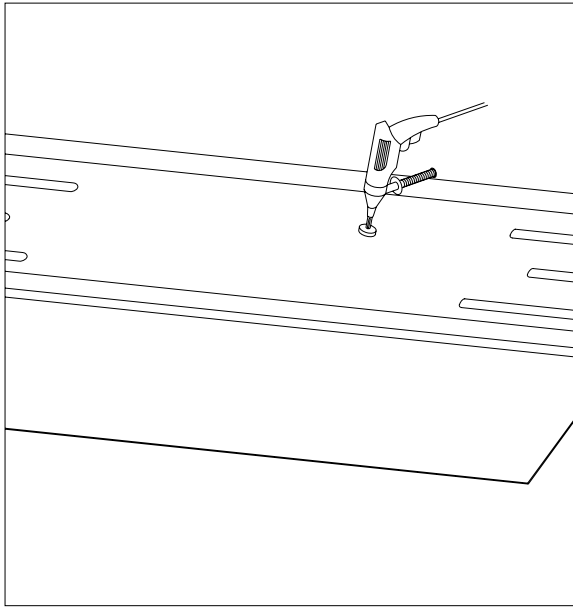


Fig 7

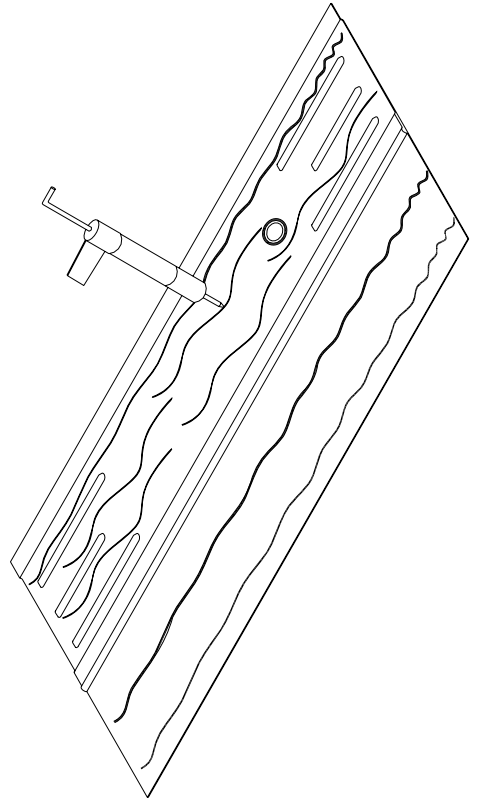


Fig 8

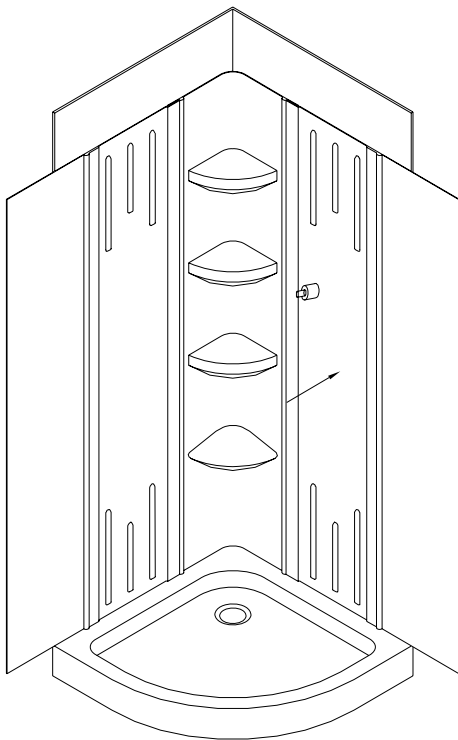


Fig 9

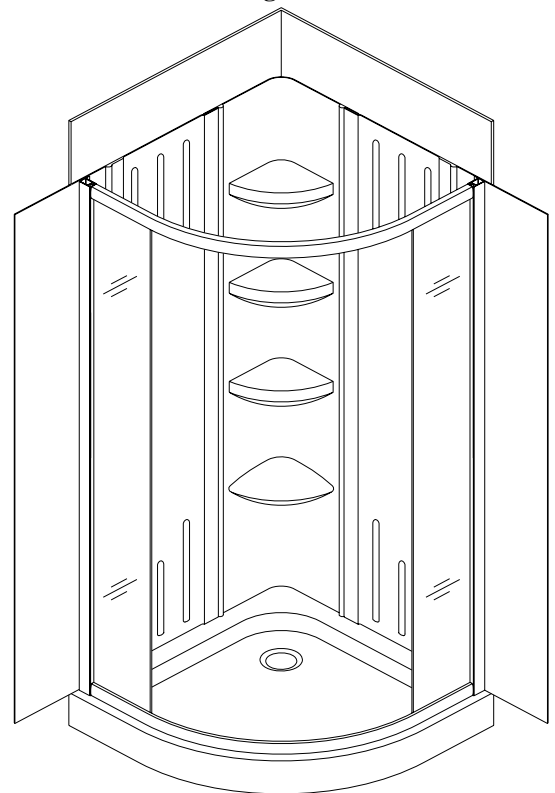


Fig 10

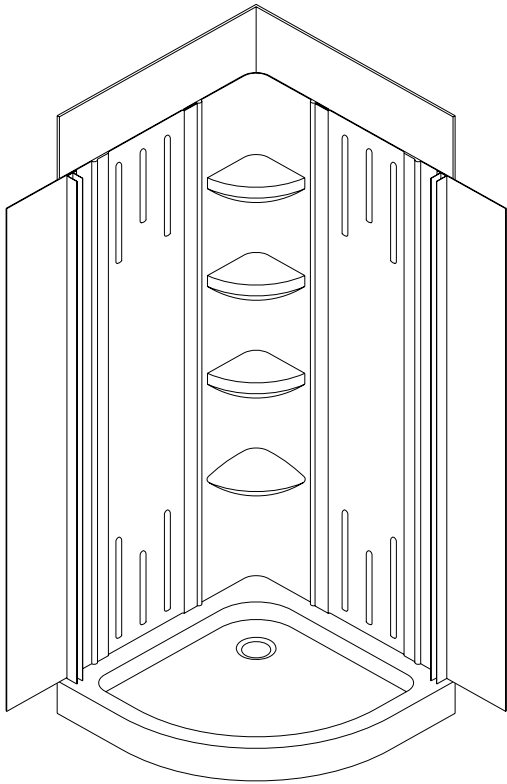


Fig 11

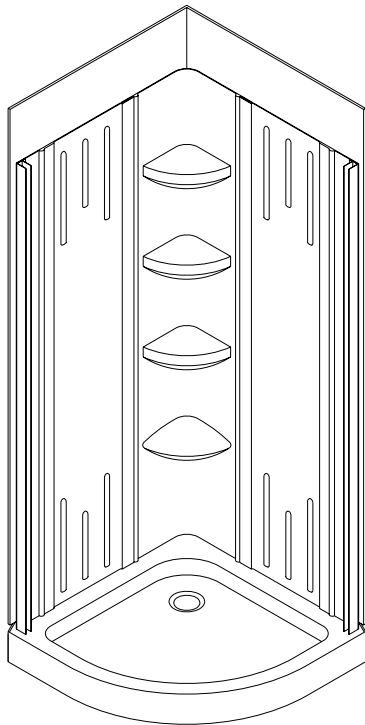


Fig 13

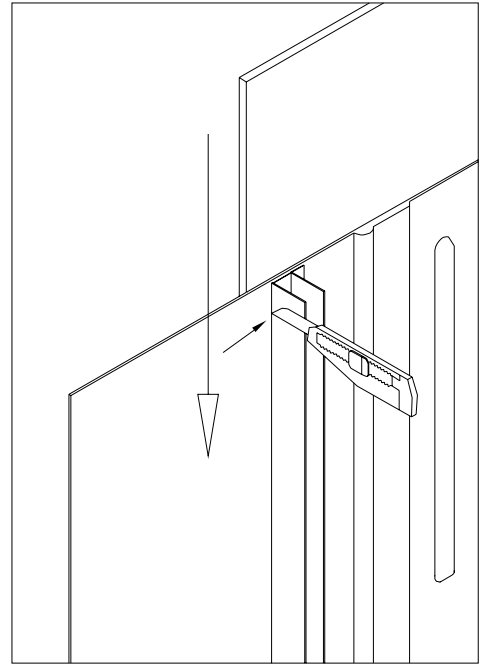


Fig 12

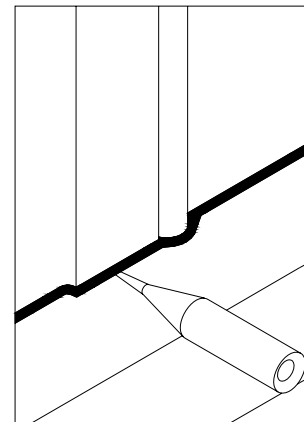
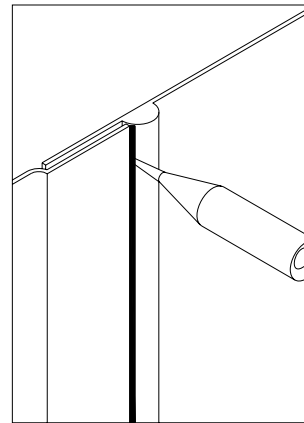


Fig 14

Product maintenance

Acrylic cleaning. Acrylic should be cleaned with warm water and a clean, nonabrasive cloth. If desired, a mild, nonabrasive detergent may also be used. Use only light pressure when cleaning. Avoid rubbing dirt or grit into the surface. Turn the cloth often and replace with a clean cloth frequently. Dry by blotting gently with a clean, dry cloth.

DO NOT USE window cleaning sprays, alcohol, kitchen abrasive compounds, or solvents (such as acetone, gasoline, or thinners). Do not use ammonia based cleaning solutions on the acrylic as it will eat into the surface and cause it to damage.

How do you get scratches out of Acrylic? For light scratches, use a buffing compound such as car wax, using the buffer provided slightly buff the surface by hands until scratches disappear.

Bath Authority™ LLC / DreamLine™

Shower Enclosure, Jetted/Steam Shower and Shower Columns

Limited Warranty

CONSUMER RESPONSIBILITIES

Your DreamLine™ Shower Products will remain beautiful for many years if you take care of them. Some of the waterproofing plastic strips and other seals will need to be replaced when they show signs of wear, yellowing, or are not watertight. Refer to the parts list of your manual for all seals. Water conditions in various parts of the country will determine any extra cleaning attention you may have to give your new shower enclosure or jetted shower. DreamLine™ does not recommend the use of harsh abrasive cleansers on any of its products. Harsh cleansers will damage the metal or glass finish on your shower enclosure or jetted shower.

REQUESTING SERVICE

Here's what you need to do if you require service:

1. Contact the dealer who sold and/or installed the product. They should be able to solve any problems you may have.
2. If your dealer or contractor cannot solve the problem, they will contact or supply you with the name of the local DreamLine™ Distributor or a DreamLine™ Direct Technical Specialist

3. If you are unable to obtain warranty service through either your contractor or DreamLine™ distributor, please write us directly at

Bath Authority™ LLC / DreamLine™

909 Louis Drive

Warminster, PA 18974

ATTN: Customer Service Department

4. Include all pertinent information regarding your claim, including a complete description of the product, model numbers, colors, finishes, and the date the product was installed. Include a description of the problem and a photocopy of your invoice and purchase receipt(s) for the products involved. Also please provide information on the name and contact telephone numbers of the contractor and distributor.

Please note that under any circumstances, DreamLine™ products should not be returned to your dealer, distributor or directly to DreamLine™ without a written Return Merchandise Authorization (RMA).

LIMITED ONE-YEAR WARRANTY

This warrantee extends only to the original owner/end-user for personal household use only. For commercial uses, additional limitations may apply.

DreamLine™ warrants acrylic surface against blistering or cracking and chipping resulting from defect in the acrylic surface material when used under normal condition and service for a period of one (1) year from the purchase date.

DreamLine™ warrants mirrors, shower doors, shower massage systems, faucet finishes and fittings to be free from defects in workmanship and materials under normal use and service for a period of one (1) year.

DreamLine™ further warrants the structure of the acrylic shell against loss of water through the fiberglass laminate of the acrylic body as a result of defect in materials and workmanship for a period of five (5) years from the purchase date.

DreamLine™ will, at its election, repair, replace, or make appropriate credit adjustment where DreamLine™ optional inspection discloses any such defects occurring in normal usage within the warrantee periods.

Please note that DreamLine™ is not responsible for any installation or removal costs.

Improper modification of any enclosure, jetted shower or shower column components may void the warrantee - so please install the product as directed in the manual. This warrantee does not cover any claim arising from abuse, misuse, negligence, accident, improper installation or operations on the part of the purchaser. This warrantee is void if the DreamLine™ product is subject to alterations, or if repairs are attempted by anyone other than an authorized agent of DreamLine™. This warrantee does not extend to any plumbing or components installed by dealers, installers or by any party other than DreamLine™.

Implied warranties, including that of merchantability or fitness for a particular purpose, are expressly limited in duration to the duration of this warranty. DreamLine™ disclaims any liability for special, incidental, or consequential damages.

Some states do not allow limitations on how long an implied warranty lasts or the exclusion or limitation of special, incidental, or consequential damages, so these limitations and exclusions may not apply to you. This warranty gives you specific legal rights. You may also have other rights which vary from state to state. This limited warranty provides specific legal rights as they apply within the USA, and other rights may be available, but may vary from country to country.

This is our exclusive written warranty for DreamLine™ Shower Enclosure, Jetted/Steam Shower and Shower Column purchases made after May 2004. DreamLine™ reserves the right to modify this warranty at any time, and the consumer understands that such modification will not alter the warranty conditions applicable at the time of the sale of the product.