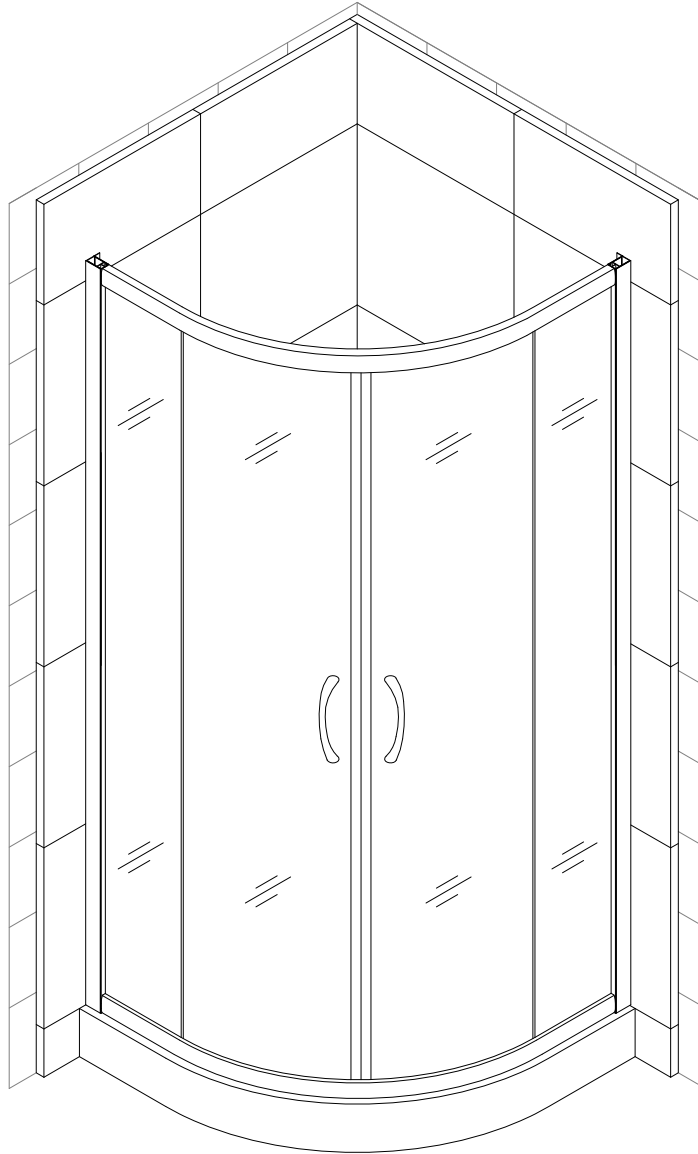




Sector Shower Enclosure Installation Instructions

IMPORTANT

Please read carefully the following instructions before installing your shower enclosure. If you have any questions on this shower enclosure installation - please call our technical support specialists Monday to Friday 9:00AM – 5:00PM EST at 1-866-731-8378 Option 3 or e-mail our technical support group at support@BathAuthority.com

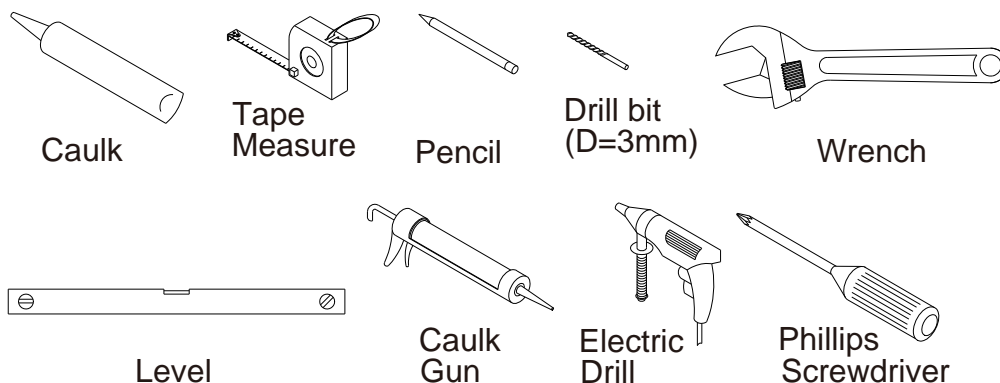


Our product may have changes without prior notice

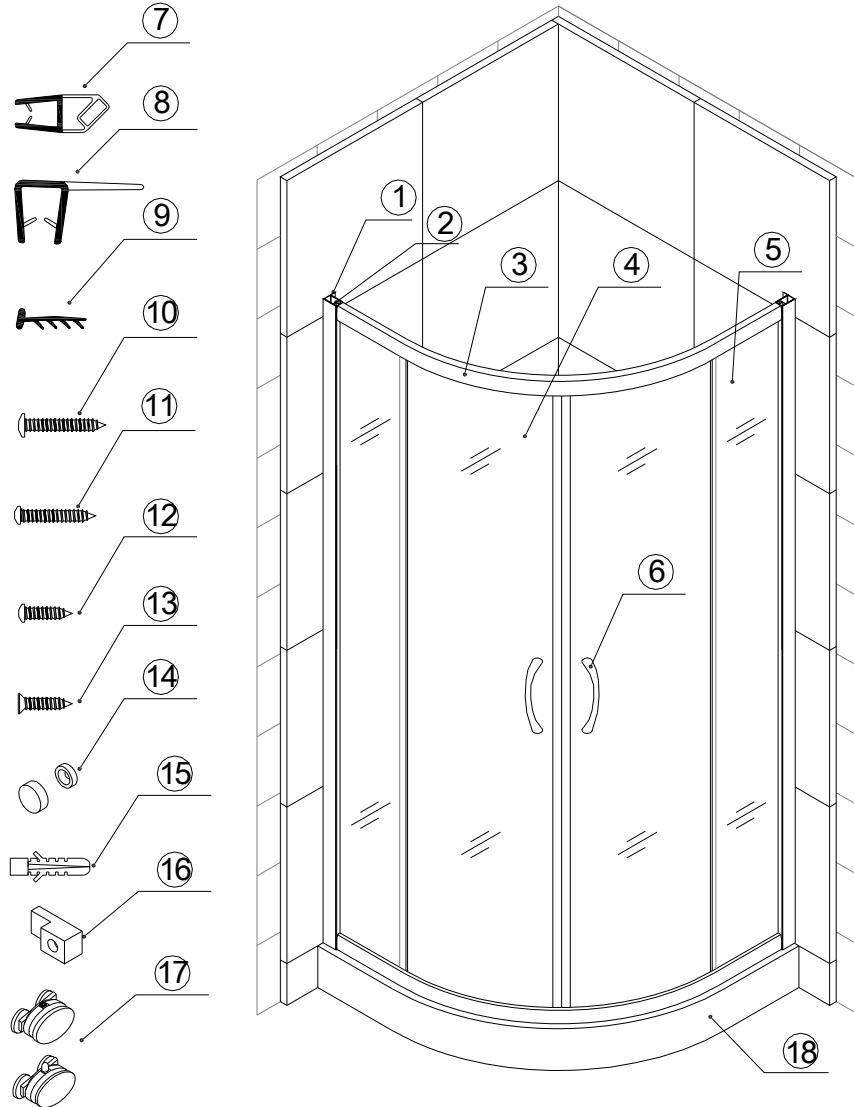
Preparation

1. After opening the boxes, read this introduction carefully, check all the packed parts are complete by cross checking all the components against the “Detailed Diagram of Shower Enclosure Components”. Examine for shipping damage. If the unit has been damaged, has a finishing defect or has missing parts please contact your local distributor within 3 business days. Please note that **Bath Authority™ / DreamLine™ will not replace any damaged product or missing parts free of charge after 3 business days or if the product has been installed.** Contact your distributor or DreamLine if you have any questions.
2. **Please note that you should consult your local building codes on questions on installation compliance standards. Building and plumbing codes vary by location, and DreamLine is not responsible for code compliance standards for your project.**
3. Install all of the required plumbing and drainage before securing the shower. **Use a competent and licensed (if required by local code) plumber for all plumbing installation.**
4. Please insure that prior to the installation the floor is leveled and solid and will be able to support the total weight of the unit and its occupant. Also make sure the walls are at right angles. While some adjustment in leveling of the tray is possible, irregular floor level or improper angle of side walls will result in serious problems for your installation. Please, note that there are some adjustments and drilling might be necessary during the installation process.

Tools Required



Detailed Diagram of Shower Enclosure Components



Packing List

| | | | | | |
|----|----------------------------------|--------|----|---------------------------|--------|
| 01 | Wall profile | 2pcs | 10 | Round head screw ST4.2x30 | 8pcs |
| 02 | Glass profile | 2pcs | 11 | Round head screw ST4.2x25 | 8pcs |
| 03 | Guide rail with attached stopper | 2pcs | 12 | Round head screw ST4.2x10 | 4pcs |
| 04 | Glass door | 2pcs | 13 | Flat head screw ST4.2x16 | 4pcs |
| 05 | Stationary glass | 2pcs | 14 | Decorative cover | 4sets |
| 06 | Handle | 2pairs | 15 | Wall anchor | 8pcs |
| 07 | Magnetic strip | 1pair | 16 | Glass holder | 4pcs |
| 08 | Anti-water strip | 4pcs | 17 | Wheel assembly | 4pairs |
| 09 | Single side strip | 2pcs | 18 | Bottom tray | 1pc |

After you have checked that all components are there, you will be ready to start the installation of your Dreamline shower enclosure.

Enclosure Installation

Install a shower tray according to the Tray installation manual. You should do it before the wonder board and finish wall installation. The shower enclosure has to be installed after you finish the wall.

1. Assemble **Glass profile (02)** with **Guide rail (03)** using **Round head screw ST4.2x25 (11)**.
2. Push the **Stationary glass (04)** into Glass profile groove, and then fasten it by **Glass holder (16)** with **Flat head screws ST4.2x16 (13)** to the Guide rail. See Fig 2 for details.
3. Secure another side of Stationary glass inside of the Glass profile groove with **Single side plastic strip (09)**. Push Single side plastic strip between glass and side of groove. See Fig 2 and Fig 3 for details.
4. Push the **Wall profile (01)** all the way over the **Glass profile (02)**. Be sure to keep a tong with predrilled holes inside of shower. See Fig 4 for details.
5. Carry the assembled unit on the top of tray; push it against wall. You can adjust position of the shower by pulling it partially out of the wall profile. Now adjust one of wall profiles vertically using level and mark holes on the wall. Using help to hold this profile in the right position, level another profile and mark holes. Gently move the assembled unit on the side, drill holes into the wall, insert Wall anchors (15). Place the whole shower assembly on the tray and attach it to the wall using **Round head screws ST4.2x30 screws (10)**. See Fig 5 and Fig 6 for details.
6. Your unit can be shipped to you with the **Wheel assemblies (17)** installed on the doors. If not, please refer to diagram (fig 9) how to install it. Attach the top and bottom wheels to the glass doors. The wheel that goes on the top has an adjustable screw and nut to adjust the door level. Note that the lock nut of upper wheel should face up. The bottom wheel has a press button to fix the wheel on the bottom guide rail; that button should face up. See Fig 7 for details.
7. Secure the **Handle (06)** to the **Glass doors (04)**. Slide the top door wheels into the top guide rail and push the bottom wheels in the bottom guide rail by pressing down the button. Attach the **Magnetic strips (07)** to the glass doors. Use the Phillips screwdriver #2 (**do not use power screwdriver**) to adjust the upper wheels, make sure they move smoothly and the doors close tight. Then attach the **Anti-water strips (08)**. See Fig 8 for details.
8. Secure the wall profile and glass profile with **Round head screws ST4.2x10 (12)**. Cover the screw location with **Decorative cover (14)**. See Fig 9 for details.
9. Seal with silicone caulk between Wall profile, Glass Profile, bottom rail and tray. See Fig 10 for details.

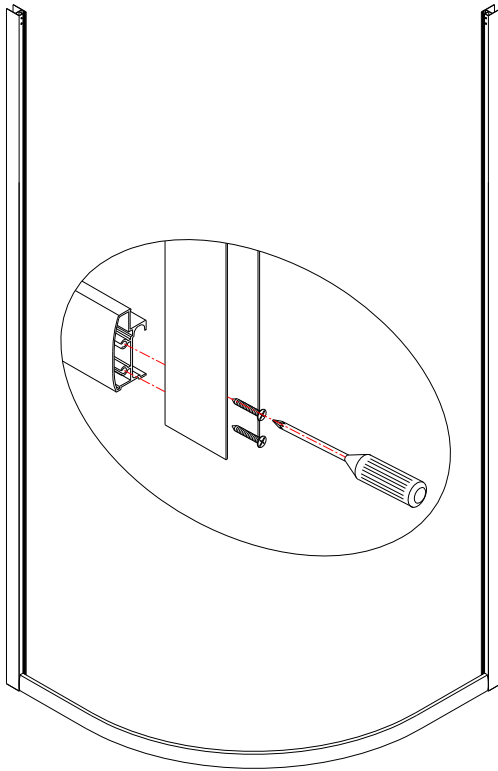


Fig 1

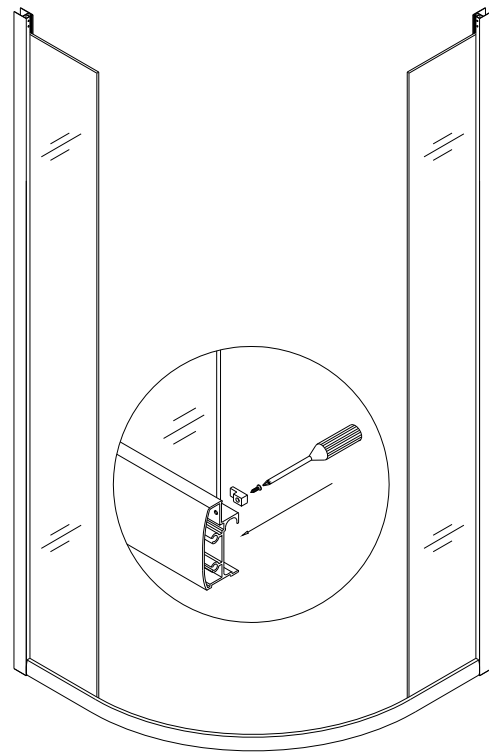


Fig 2

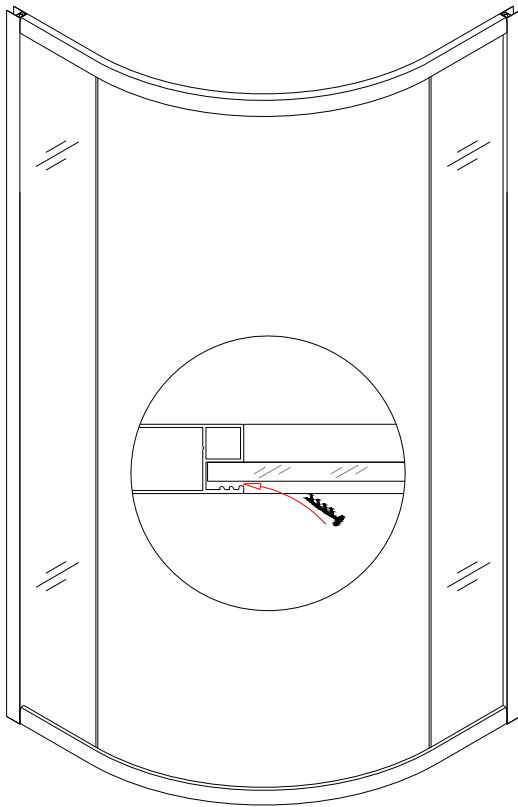


Fig 3

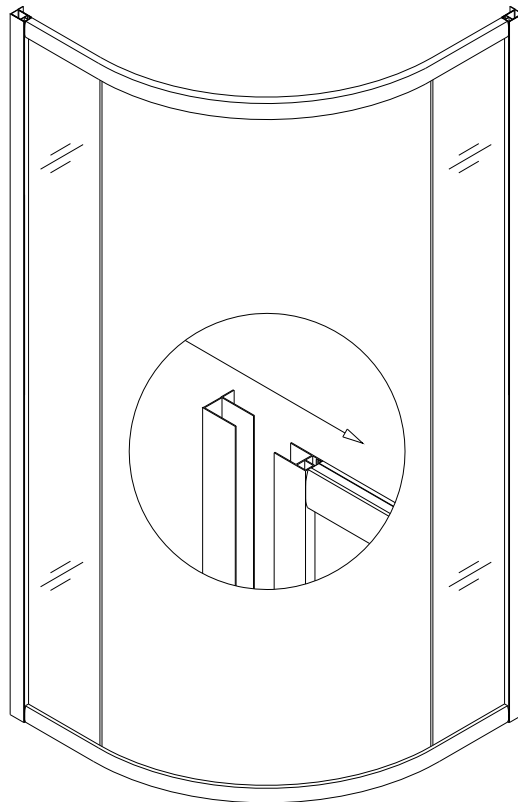


Fig 4

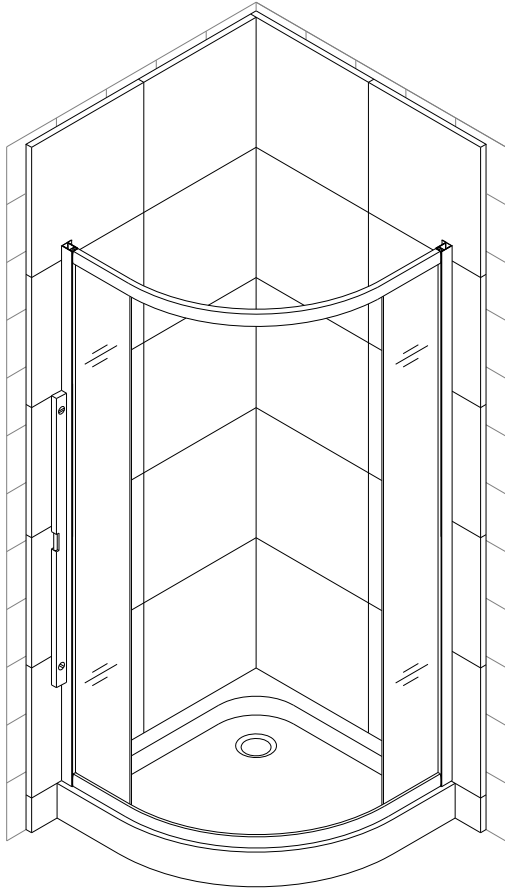


Fig 5

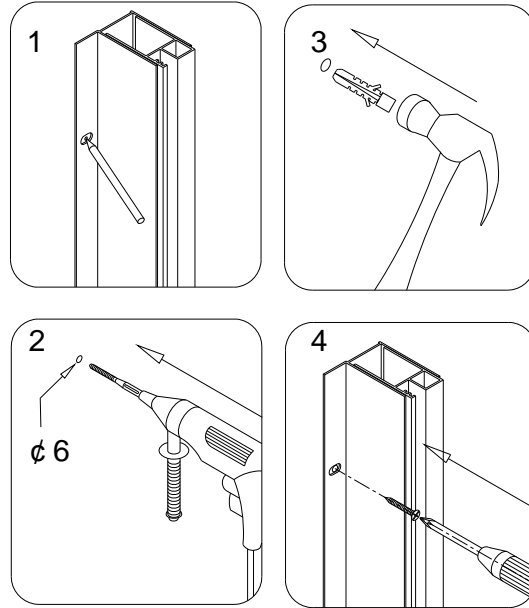


Fig 6

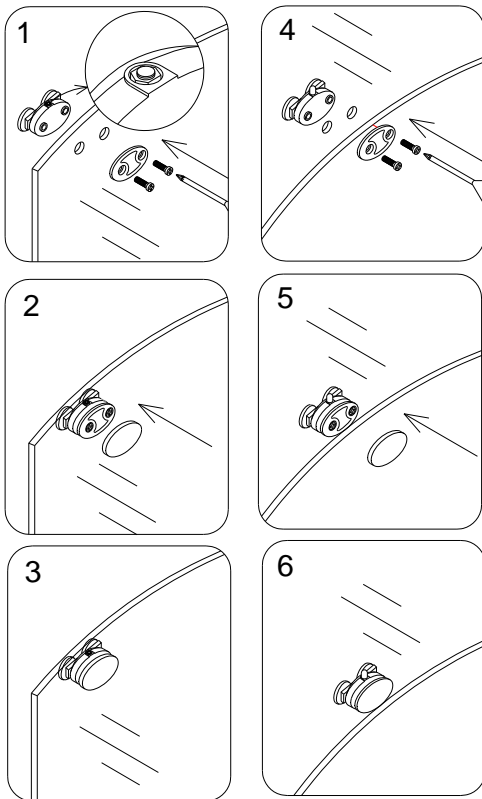


Fig 7

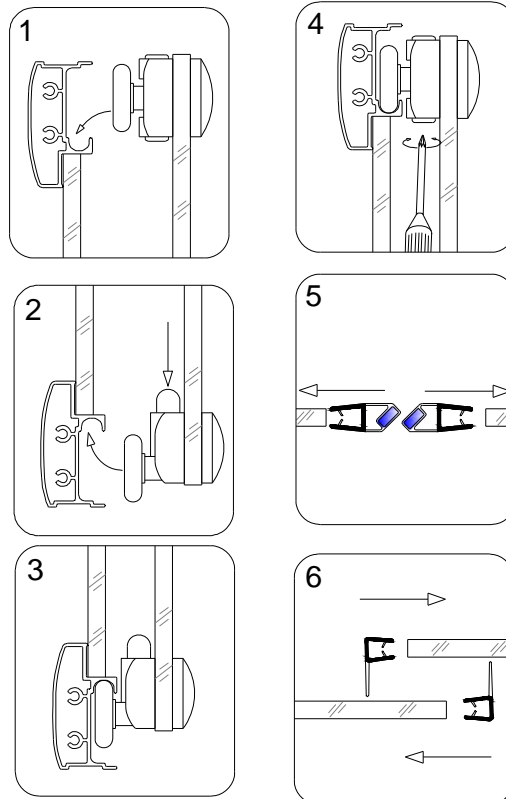


Fig 8

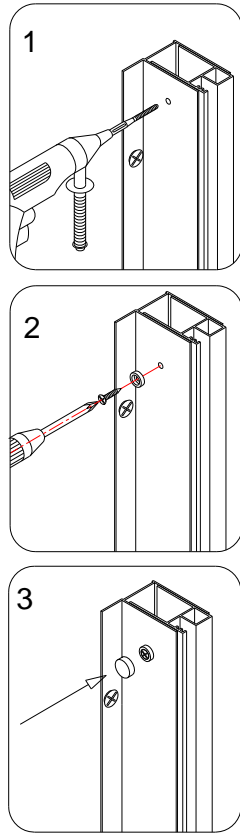


Fig 9

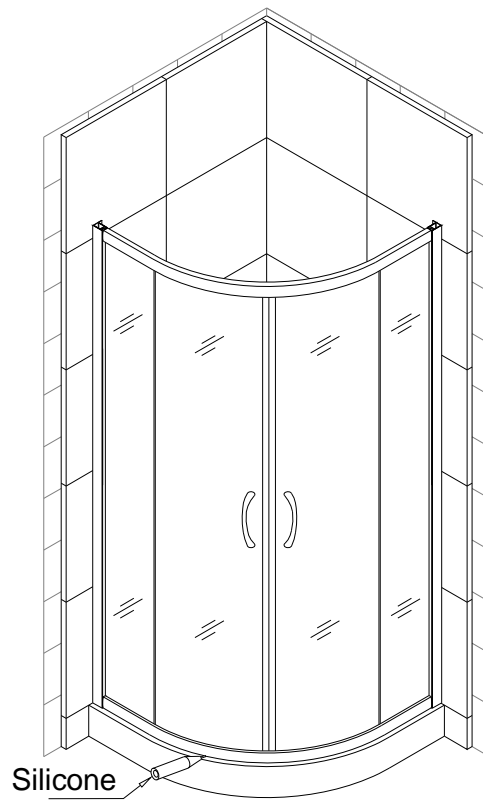


Fig 10

Product Maintenance

1. Tempered glass can be clean with nonabrasive bathroom cleaner or any glass cleaner you use elsewhere in your home. Rinse off any glass cleaner that gets on the aluminum as soon as possible to avoid damage to the anodized surface. Avoid striking it with any sharp or hard objects. Such damage can cause either immediate or delayed breakage of tempered glass.

2. The aluminum in your shower door is durable and resistant to water damage. It is advisable, but not necessary to wipe it with your towel after your shower. Clean it as often as needed to keep the buildup off. Never use any type of abrasive cleaner. Use only a soft damp cloth and nonabrasive bathroom cleaners.

3. Maintenance of wheel:

A: for plastic wheel, use a little lubricating oil to keep it smooth and long last.

B: for metal wheel, except adding of oil, if shower has not been used for a long time, you can dry the wheel and put a little grease to keep it well working conditions.

C: Adjust wheel screw periodically to guarantee moving door effective bearing and sliding.