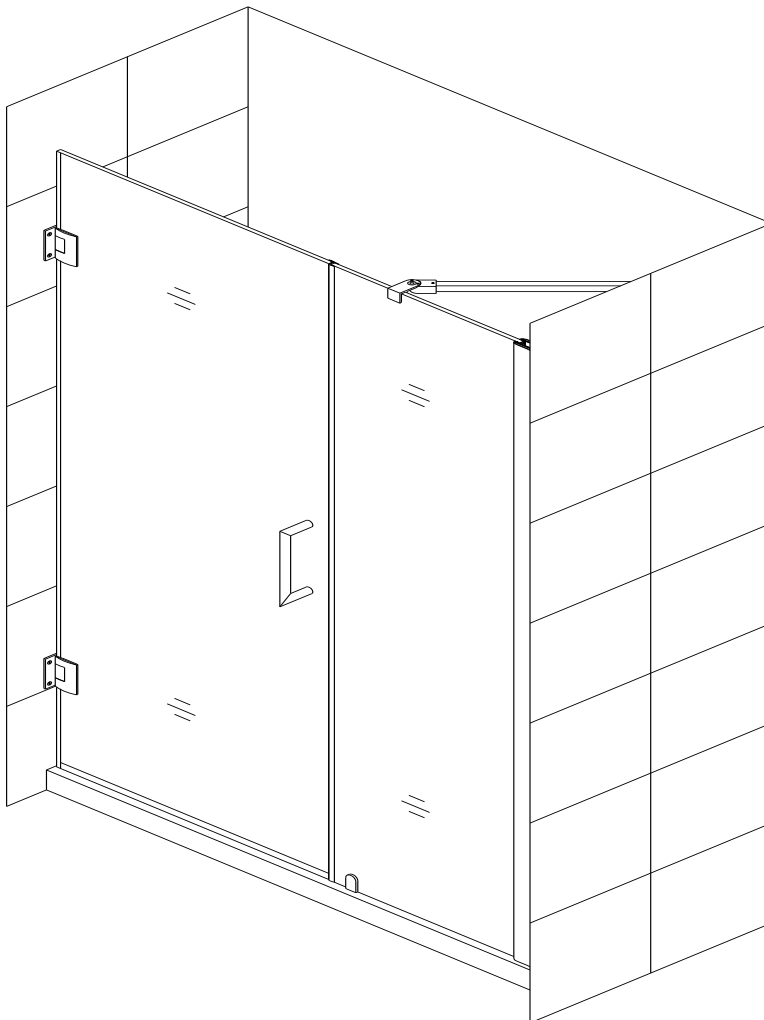




UNIDOOR Shower Door Installation Manual

Important

Please read carefully the following instructions before installing your shower door. If you have any questions on this shower door installation, please call our technical support specialists Monday to Friday 9:00AM – 5:00PM EST at 1-866-731-8378 Option 3 or e-mail our technical support group at support@BathAuthority.com

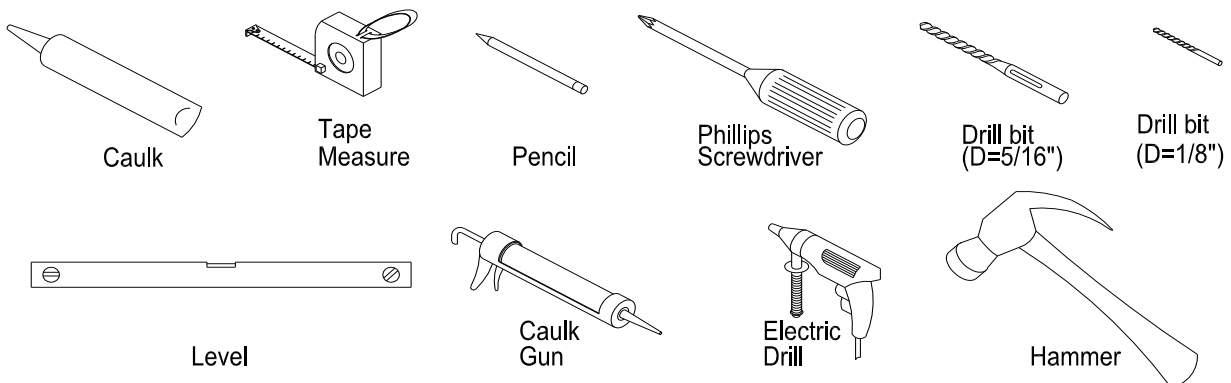


Our product may have changes without prior notice

Preparation

1. After opening the boxes, read this introduction carefully, check all the packed parts are complete by cross checking all the components against the "Detailed Diagram of Shower Door Components". Examine for shipping damage. If the unit has been damaged or has a finishing defect, please contact your local distributor within 3 business days. Please note that **BathAuthority™ / DreamLine™ will not replace any damaged product or parts free of charge after 3 business days or if the product has been installed.** Contact your distributor or DreamLine if you have any questions.
2. **Please note that you should consult your local building codes on questions on installation compliance standards. Building and plumbing codes vary by location, and DreamLine is not responsible for code compliance standards for your project.**
3. Please insure that prior to the installation the floor is leveled and solid. Also make sure the walls are at right angles. While some adjustment in leveling of the door is possible, irregular floor level or improper angle of side walls will result in serious problems for your installation. Please, note that there are some adjustments and drilling might be necessary during the installation process.
4. If your door less than 30" and you are installing the door without stationary glass, you only need to refer to **Diagram A** and **Packing list A**. For **installation of the door 30" with the stationary glass or over 30"**, you have to use **Diagrams A and B** and **Packing Lists A and B** to complete the installation.

Tools Required



Detailed Diagrams of Shower Door Components

Diagram A

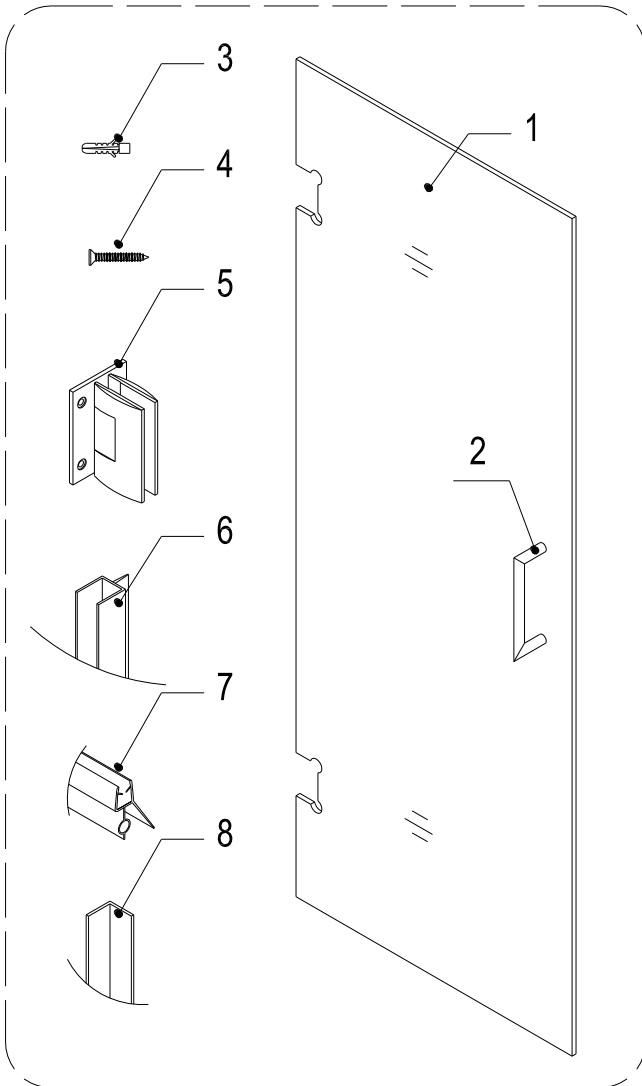
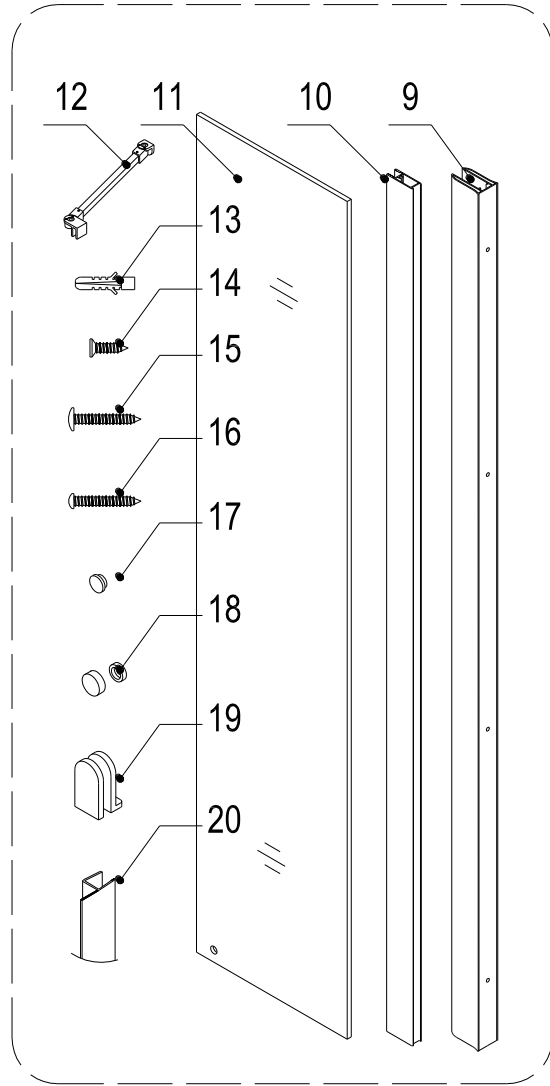


Diagram B



Packing List A

01	Glass door	1pc	05	Hinge	2pcs
02	Handle	1pc	06	Side strip (3 sections to cut)	1pc
03	Wall Anchor	8pcs	07	Bottom anti-water strip	1pc
04	Countersunk screw ST5x50	8pcs	08	L-shaped strip	1pc

Packing List B

09	Wall profile	1pc	15	Screw ST 4.2x30	4pcs
10	Glass profile	1pc	16	Roundhead screw ST 4.2x25	1pc
11	Stationary glass	1pc	17	Decorative plug	3pcs
12	Support bar	1pc	18	Decorative cover	1pc
13	Wall Anchor	5pcs	19	Bottom bracket	1pc
14	Countersunk screw ST 4.2x18	3pcs	20	Anti-Water strip	1pc

After you have checked that all components are there, you will be ready to start the installation of your DreamLine shower door.

Installation

1. Locate the **Glass door (01)** from the package and attach **Hinges (05)** on it. See Fig. 1 for details.
2. Place a piece of flat timber (5/8" thick) on the threshold or shower tray. Take the glass door and put it on the flat timber. Push the door against the wall, adjust its position and level it. **Be sure the door is absolutely vertical.** See fig. 2 for details.

Please note, step 3 is for installation of the door to the wall using anchors. However, the manufacturer strongly suggests to install this heavy doors on preinstalled 2x4 wood reinforcement behind the wall and attach the hinges to it.

3. Mark the screw positions for both hinges on the wall. Set the door aside, drill the holes in the wall, and insert the **Wall Anchors (03)**. Place the glass door again on the flat timber and attach both hinges to the wall with **Countersunk screws ST5x50 (04)**. See fig. 3 for details.
4. Measure the distance between the top edge of the glass door and upper edge of the top hinge and cut the piece off the **Side strip (06)** with a knife in the length according to your measurement. Repeat it to prepare the short strip for the lower section of the glass door. Then measure the distance between bottom edge of the top hinge and the upper edge of the bottom hinge and cut the rest of the strip to size. Remove the timber plate, open the door to its full section and push all the strip lengths onto the vertical edge of glass door. Push the **Bottom anti-water strip (07)** on the bottom edge of the glass door. See fig. 4 for details.
5. Mount the **Handle (02)**.

Prior to the next step, please be sure the part of the wall for installation of the *L-shaped strip (08)* is clean, dry and free from soap, oil and any construction debris.

6. With the door closed place the **L-shaped strip (08)** on the door edge and mark its location on the wall. Open the door, gently remove the plastic tape from the adhesive side of the **L-shaped strip (08)** and attach it to the wall. **Please note the corner of the L-shaped strip (08) should face inward.** Firmly push it against the wall along the full length. See fig. 5 for details.

NOTE: If your shower door is less than 30" in width and don't have the Stationary glass, you only need to assemble parts from Packing List A and you are finished. However if your door is more than 30" in width, you will need to add the stationary glass piece (Packing List B) and continue your installation with Step 7.

7. Locate the **Stationary glass (11)** and the **Glass profile (10)** from the package. Apply clear silicone along the full length of the inner channel of the **Glass profile (10)** and then push it over the vertical edge of the **Stationary glass (11)** (SEE NOTE BELOW). You can use the rubber hammer and piece of the wood to help you. See fig. 8 for details.

NEVER use the metal hammer or hit the profile without the wood bumper.

NOTE: Please note that the hole in the glass should be at the bottom, far from the wall and closer to the glass door.

8. Push the **Wall profile (09)** onto the **Glass profile (10)**. Push the **Single side strip (21)** on the **Stationary glass**, and place the glass on the threshold or shower tray. Close the glass door, adjust the position of the **Stationary glass** to ensure that the door is closing and opening smoothly and then align it if needed. See fig.9 for details.
9. Draw a line along the inner edge of the wall profile on the wall. Remove the **Stationary glass** and the **Glass profile** assembly from the **Wall profile**; put the **Wall profile** in the designated position. Use predrilled holes in the aluminum profile to mark holes for drilling. Now drill the holes in the wall and insert the **Wall anchors (13)** into the holes. Apply silicone along the full length of the **Wall profile** and secure the wall profile to the wall with **Screw ST4.2x30 (15)**. Then push the **Stationary glass** and **Glass profile** assembly into the **Wall profile**. See fig. 10 for details.
10. Adjust the **Stationary glass** position to ensure that when the glass door is closed, there is a gap (1/16-1/8") between the two glass panels. To adjust and secure the stationary glass - install the **Bottom Bracket (19)** to the stationary glass; mark the drilling hole for the bracket. Make sure the mark is clear and visible and drill the hole. Use the **Round head screws ST4.2x25 (16)** to attach the **Bottom Bracket (19)** to the tray or the threshold. Cover the screw head with **Decorative cover (18)**. See fig. 11&12 for details.
11. Locate the **Support bar (12)** and loosen the glass holding screws on the gliding channel. Place the **Support bar** with the channel end on the glass top edge and the bracket end flat on the wall. Adjust the bar to a proper position and level it horizontally. Hold it firmly and outline the bracket's position on the wall with a pencil. Take off the **Support bar** and remove the bracket from it. Place the bracket against its position on the wall and mark the hole for drilling. Drill the hole, insert the anchor and attach the bracket onto the wall with the **Screw ST4.2x30 (15)**. Replace the **Support bar** with the channel seated on the glass and the other end underneath the bracket. Attach it to the bracket with the set-screw provided. Straighten the bar and fasten both set-screws and the glass holding screw to secure the glass. See fig.13 for details.
12. After final adjustments of the **Stationary glass** drill the holes in the **Glass profile** through predrilled holes in the **Wall profile** using 1/8" drill bit (You need to drill through only first wall of the **Glass Profile**). Use **Countersunk screw ST4.2x18 (14)** to attach the **Wall profile** to the **Glass profile**. Cover the exposed screw heads with **Decorative Plug (17)**. See fig. 14 for details.
13. Seal with caulk between the stationary glass and the tray or the threshold. See fig. 15 for details.

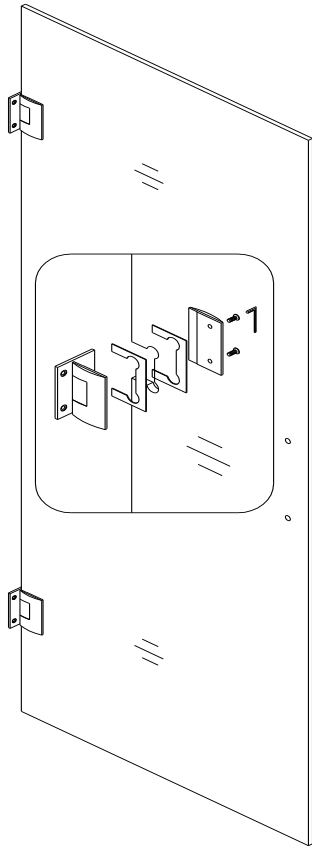


fig. 1

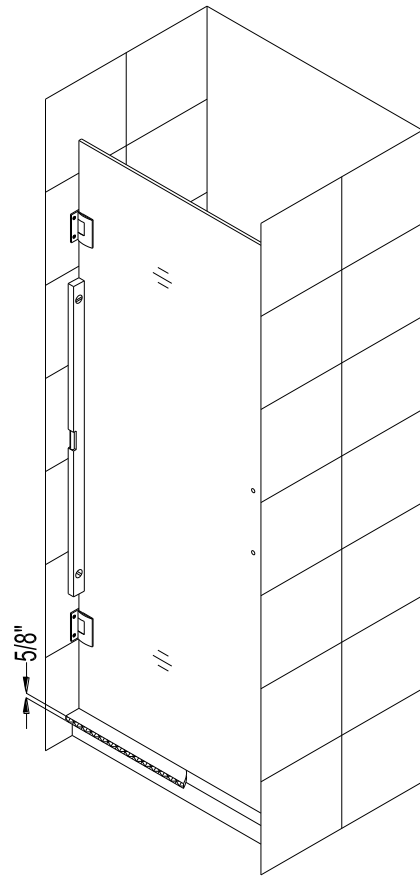


fig. 2

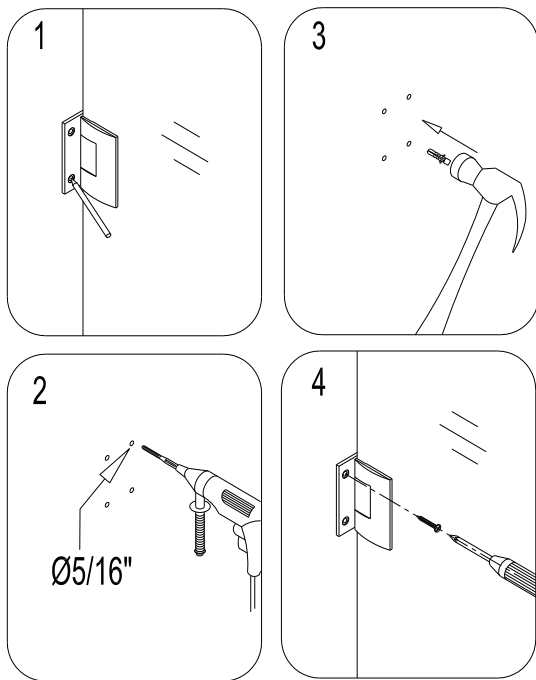


fig. 3

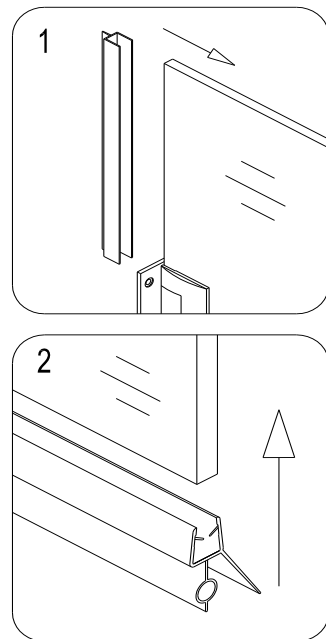


fig. 4

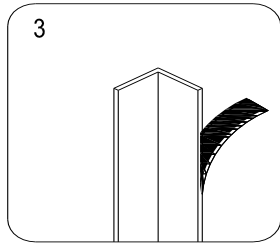
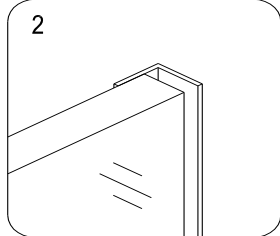
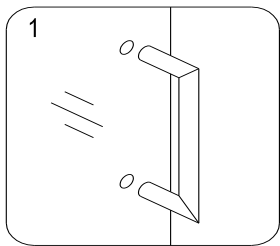


fig. 5

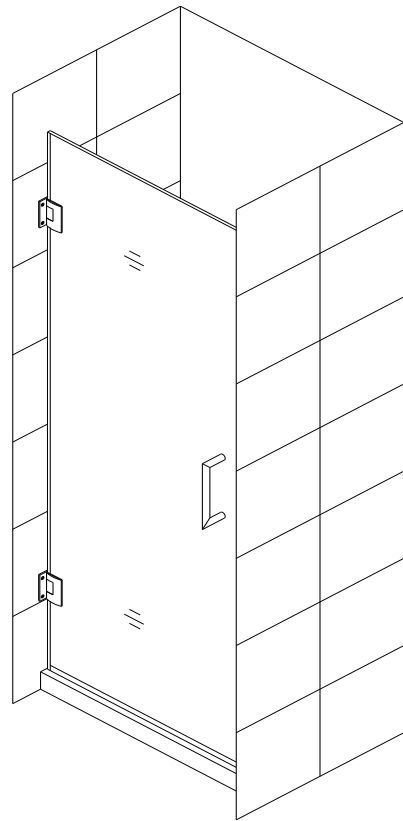


fig. 6

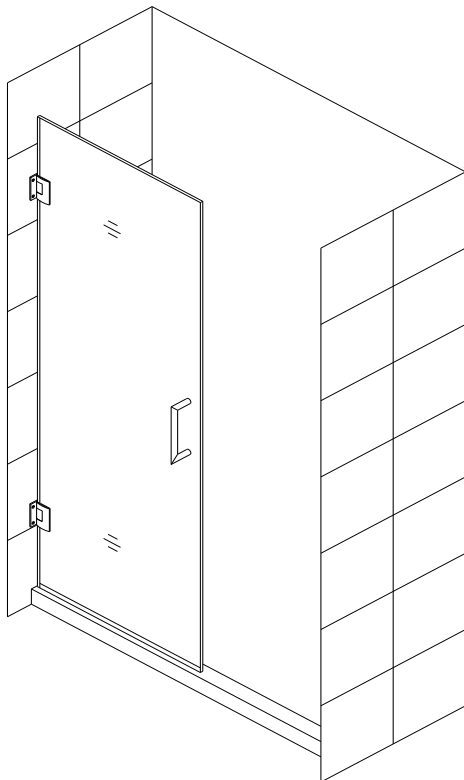


fig.7

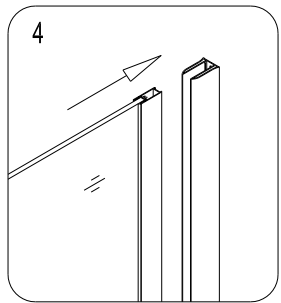
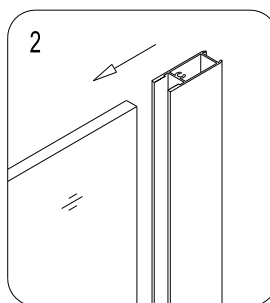
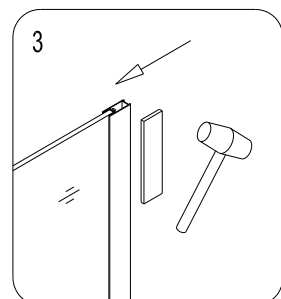
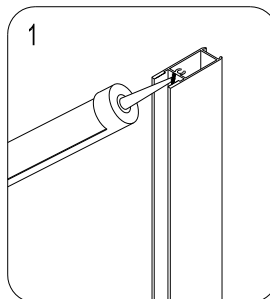


fig. 8

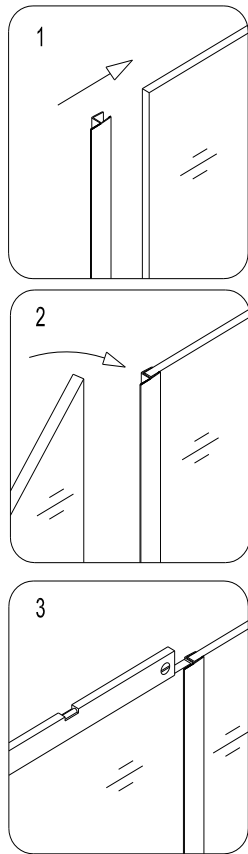


fig.9

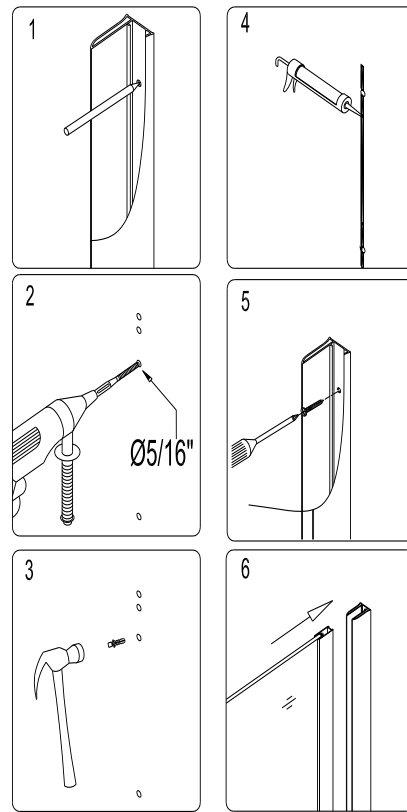


fig. 10

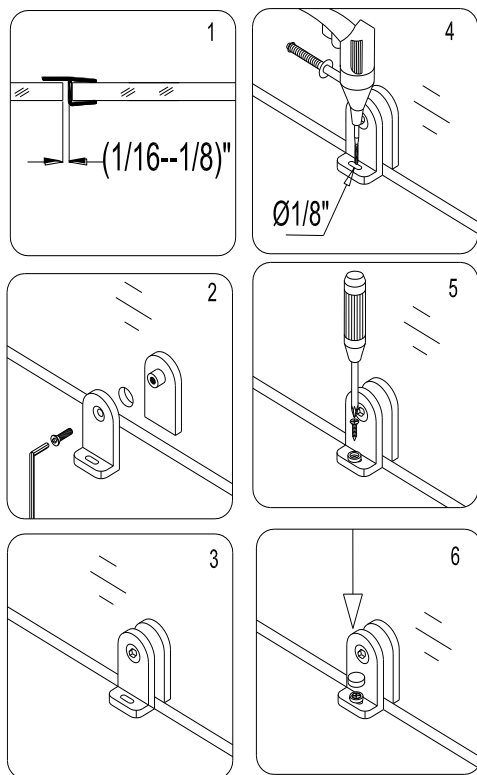


fig. 11

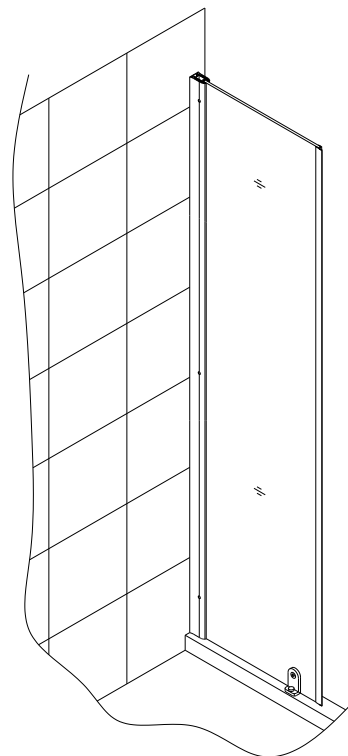


fig. 12

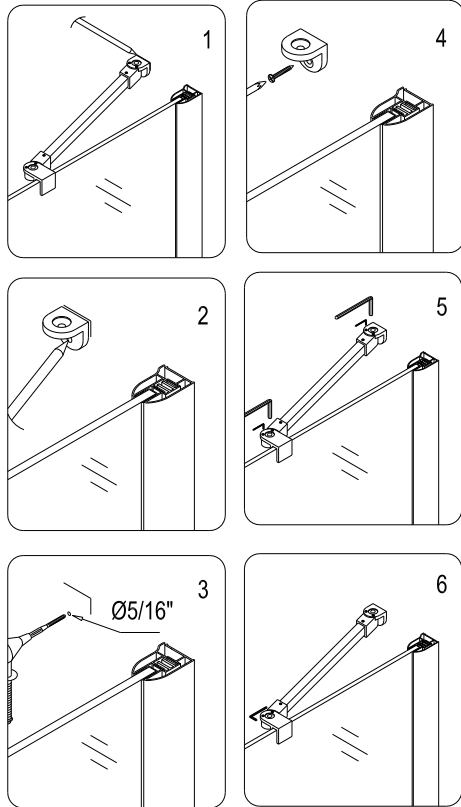


fig. 13

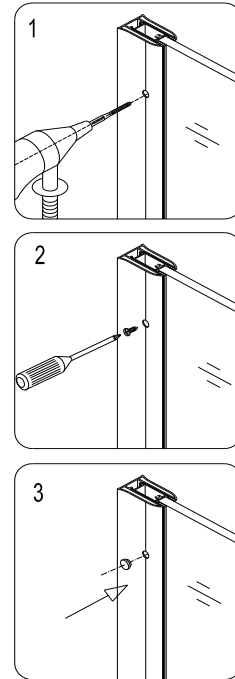


fig. 14

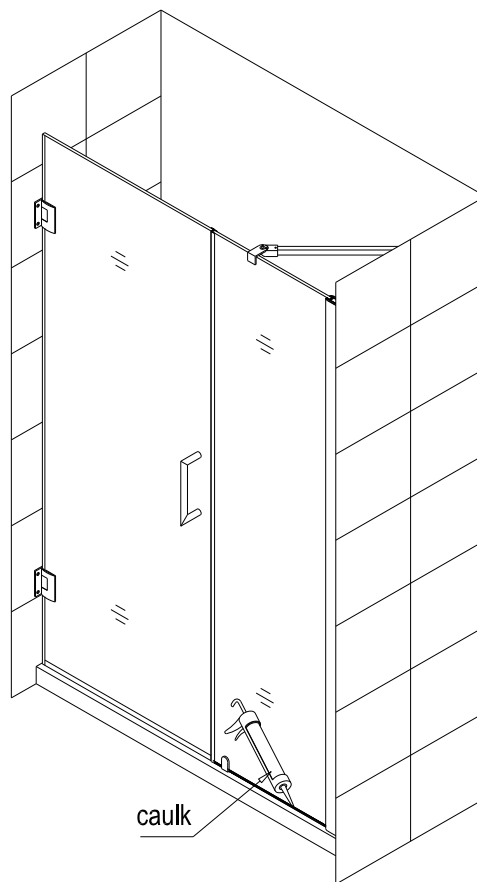


fig. 15

Maintenance

1. Tempered glass can be cleaned with nonabrasive bathroom cleaner or any glass cleaner you use elsewhere in your home. Rinse off any glass cleaner that gets on the metal parts as soon as possible to avoid damage to the metal surface. Avoid striking it with any sharp or hard objects. Such damage can cause either immediate or delayed breakage of tempered glass.
2. The metal parts in your shower door are durable and resistant to water damage. It is advisable, but not necessary to wipe it with your towel after you shower. Clean it as often as needed to keep the buildup off. Never use any type of abrasive cleaner. Use only a soft damp cloth and nonabrasive bathroom cleaners.