



## Folding Seat Installation Manual

Thank you for choosing our product, please read the installation manual before starting the work.

### **Important**

Please read carefully the following instructions before installing your shower door. If you have any questions on this shower door installation - please call our technical support specialists Monday to Friday 9:00AM – 5:00PM EST at 1-866-731-8378 Option 3 or e-mail our technical support group at [support@BathAuthority.com](mailto:support@BathAuthority.com)

### **Attention:**

**This shower seat MUST NOT be mounted to sheetrock, drywall, plaster, fiberglass, acrylic or other similar wall surfaces without appropriate wood or steel backing support material.**

Max capacity: 250 Lbs when installing to the wall through the studs

### **Additional wall support is required:**

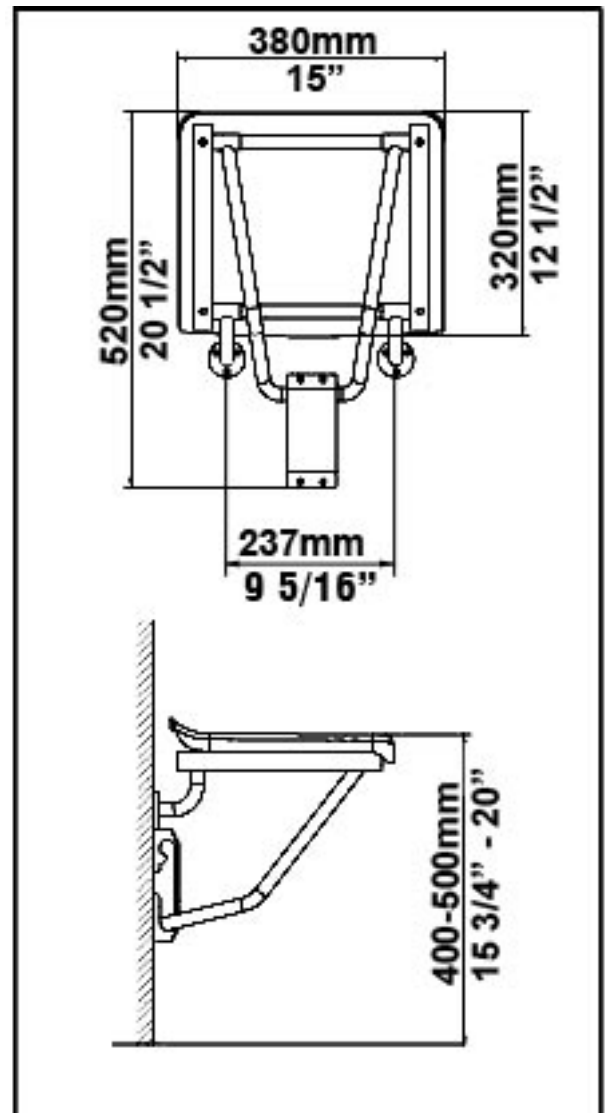
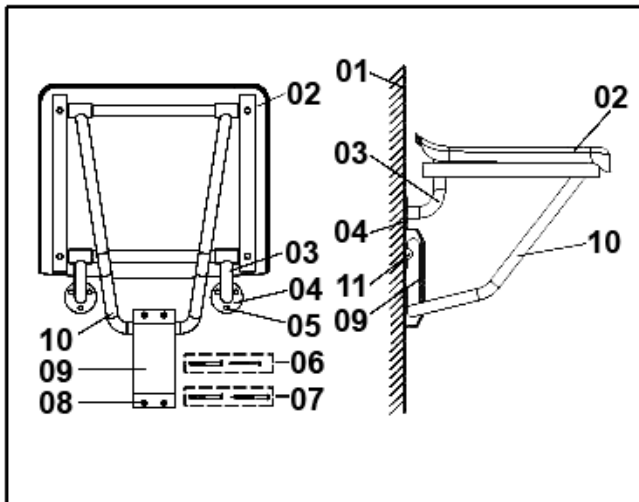
Installation of the wall mounted folding shower seat requires additional wood framing in a place of installation. We recommend 2" x 12" or 2 (two) 2" x 6" wood blocking continuously installed between the studs. Lower edge of the wooden block should be 13" from the top of the seat. You may need to remove a portion of the sheetrock with tiles to install the wooden block. If you have an access from the back it will be easier to cut a piece of sheetrock to install this additional wood framing.

### **Packing list:**

<b>Number</b>	<b>Name of components</b>	<b>Quantity</b>
1	Seat components set	1
2	Bracket sliding slot	1
3	5x70mm screw	10
4	Installation manual	1

## Detailed Diagram of the components and measurements

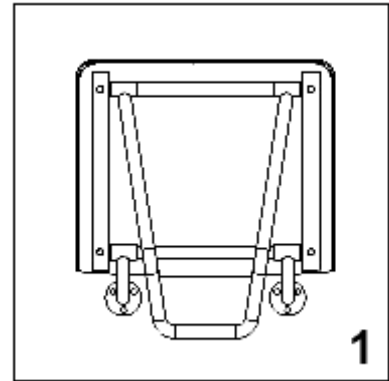
1. wall
2. seat
3. left and right support brackets
4. wall mounting brackets
5. mounting hole for 5x70mm screw
6. 5x70mm screw
7. 5x70mm screw
8. mounting hole for 5x70mm screw
9. bracket sliding slot
10. exterior support bracket
11. sliding slot supporting block



### Installation steps:

1. Place the seat (02) facing the wall (01), level it. It is recommended to mount the seat 400-500mm (15 ¾" – 20") above the floor, however, the mounting height can be chosen to one's needs. Left and right support brackets (03) should be butted against the edge of the seat. Place the wall mounting brackets (04) abutted against the wall, mark the drill holes in tiles or sheetrock for all 6 mounting holes (05), remove the seat. Use 7/32" drill bit to drill the holes. Holes need to be drilled through the thickness of tiles and sheetrock only.

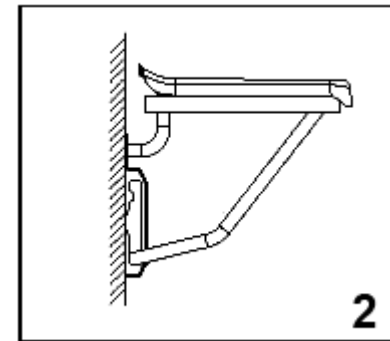
**Do not** drill through the wood framing. (See figure 1)



2. Put seat into place, fasten left and right support brackets (03) using 5x70mm screw (06). (See figure 1)

3. Place the bracket sliding slot (09) on top of the exterior support bracket. **NOTE:** the side with block should be on top. Lower the seat to the designated level, move the bracket sliding slot (09) up along the wall to the top position, so its bottom is in the middle of exterior support bracket (10); keep it vertical, mark the drill holes in tiles or sheetrock for 4 mounting holes in the bracket sliding slot (08); close the seat. Use 7/32" drill bit to drill the holes. Holes need to be drilled through the thickness of tiles and sheetrock only.

**Do not** drill through the wood framing. (See figure 2)



4. Secure the bracket sliding slot (09) using 5x70mm screw (07) - make sure the seat is folded to the top of the exterior support bracket (10). Tighten up everything, lower the seat. The seat is now ready for use. (See figure 3)

