



BUTTERFLY

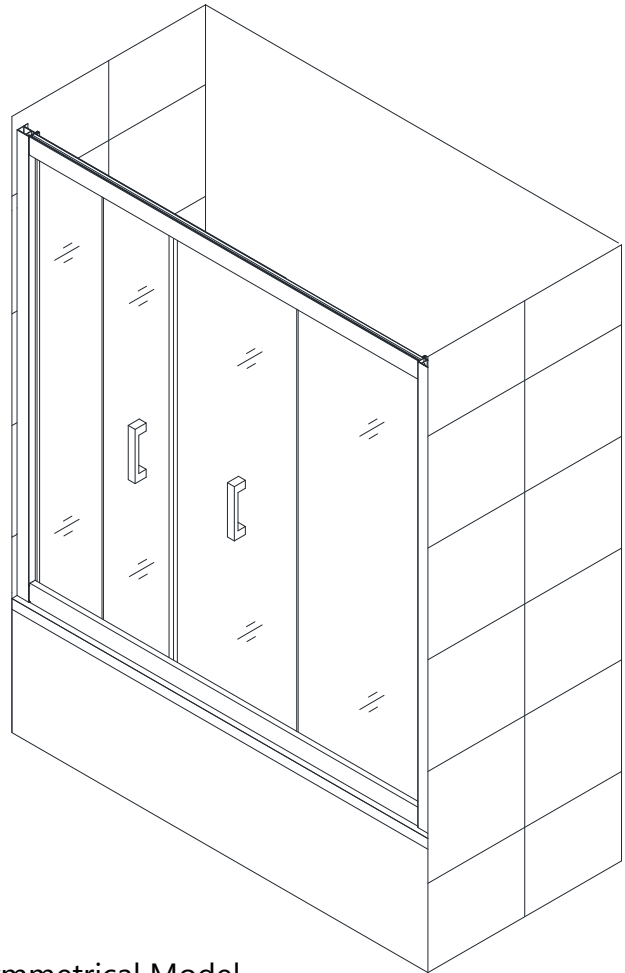
SHOWER DOOR & TUB DOOR INSTALLATION INSTRUCTIONS

IMPORTANT

DreamLine™ reserves the right to alter, modify or redesign products at any time without prior notice. For the latest up-to-date technical drawings, manuals or any other details please refer to the support.BathAuthority.com web page.



Symmetrical Model



Asymmetrical Model

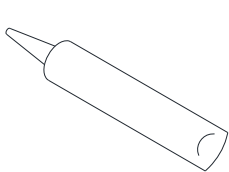
Please read these instructions carefully before installing. If you have any questions regarding installation, please call our technical support specialists Monday through Friday 9:00 AM – 5:00 PM EST at Phone: [1-866-731-2244](tel:1-866-731-2244), Fax: [1-866-227-1533](tel:1-866-227-1533) or e-mail our technical support group at support@BathAuthority.com.

For more information on [DreamLine™ Shower Doors & Tub Doors](http://www.BathAuthority.com) please visit www.BathAuthority.com

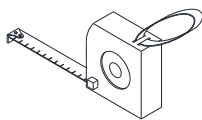
Preparation

1. After opening all boxes and packages, read this introduction carefully. Check that all of the needed parts are included in the package by marking all the components on the "Detailed Diagram of Shower Door Components". Examine boxes and packages for shipping damage. If the unit has been damaged, has a finishing defect, or is missing parts, please contact our customer support department within 5 business days of the delivery date. Please note that **DreamLine™ will not replace any damaged products or missing parts free of charge after 5 business days or if the product has been installed.** Feel free to contact DreamLine™ if you have any questions.
2. **Please note that you should consult your local building codes with questions on installation compliance standards. Building and plumbing codes may vary by location, and DreamLine is not responsible for code compliance standards for your project and will not accept any returns.**
3. If this unit is going to be installed in a new construction, please, install all of the required plumbing and drainage before installing the shower. **Use a competent and licensed (if required by local code) plumber for all plumbing installation period.**
4. Prior to installation, please ensure that the installation surface is level and solid and will be able to support the total weight of the unit. Also, make sure that the walls are plumb. Depending on the type of unit you are installing, some adjustments in leveling may be possible. However, irregular installation, surface level or out of square conditions can result in serious problems for your installation. Please note that some adjustments and drilling may be necessary. Please protect all primary surfaces of the product during installation. **Never set your glass down directly onto a tile floor.** Always use a piece of wood or cardboard to protect the bottom edge and corners of the glass.
5. **Please, NOTE! This door has 3/4" width or out-of-plumb adjustment per wall profile on each side.**

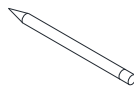
Tools Required



Caulk



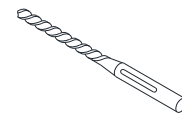
Tape Measure



Pencil



Phillips Screwdriver



Drill bit
(Ø=5/16")



Drill bit
(Ø=1/8")



Level



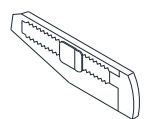
Caulk Gun



Electric Drill

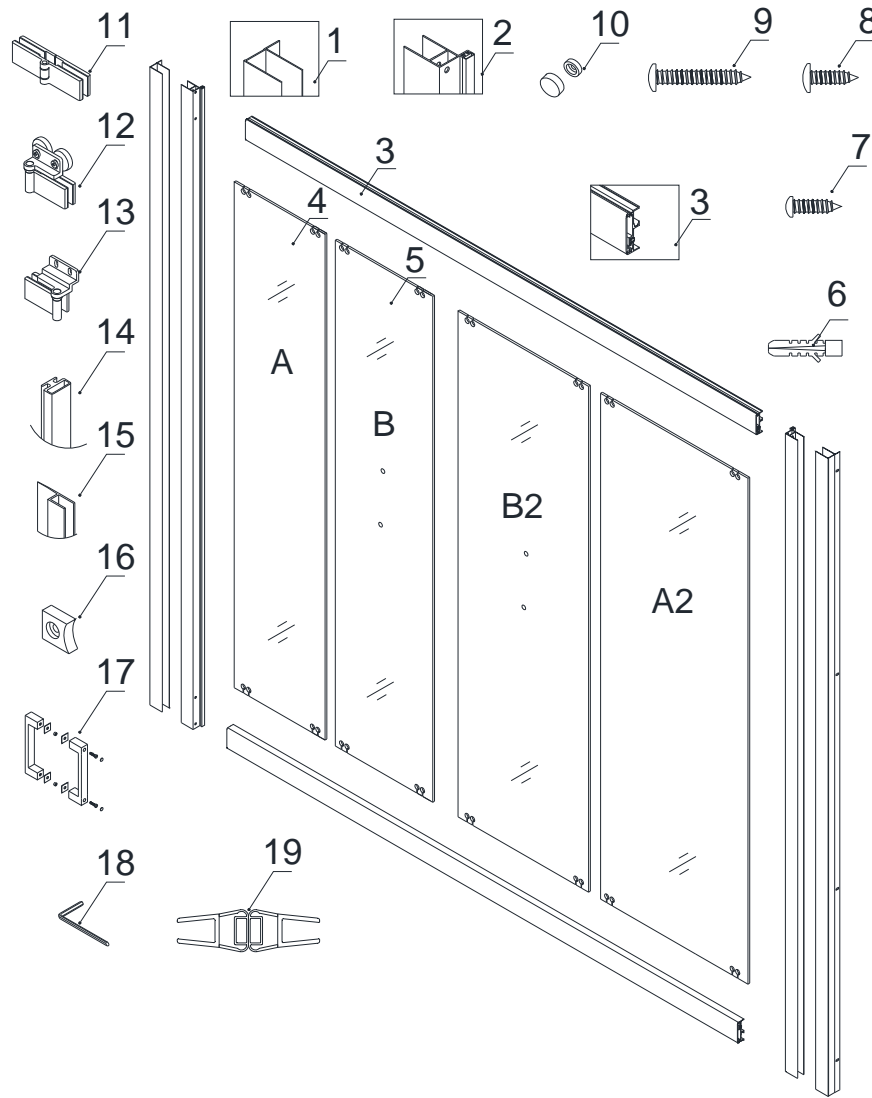


Hammer



Knife

Detailed Diagrams of Shower Door Components



Packing List

01	Wall profile	2pcs	11	Middle hinge	4pcs
02	Glass profile	2pcs	12	Roller hinge (top & bottom)	2sets
03	Guide rail	2pcs	13	Hinge (top & bottom)	2sets
04	Glass door A/A2	2pcs	14	Seal strip (pre-installed on part # 3)	2pcs
05	Glass door B/B2	2pcs	15	Side anti-water strip	2pcs
06	Wall anchor	8pcs	16	Roller stopper	4pcs
07	Round head screw ST4.2×10	4pcs	17	Handle	2sets
08	Big flat head screw ST4.2×12	8pcs	18	Hex wrench(3mm/4mm)	1set
09	Big flat head screw ST4.2×40	16pcs	19	Magnetic strip	2pcs
10	Decorative cover	4sets			

NOTE: Unpack your unit carefully and inspect it. Lay it out and identify all parts using parts diagram and part list in your manual as a reference. Before discarding the carton, check for small hardware bags that tend to fall to the bottom of the box. If any parts are damaged or missing, please contact DreamLine™ for replacement.

NOTE: Retain these installation instructions for future reference.

Shower Door Assembly

Note: There are two separate Butterfly models featuring two different glass variations. Please refer to the drawings on page 1 as a visual guide for the product you purchased. The **Asymmetrical** Butterfly model installation is depicted below. These instructions can be used as a general guide for the **Symmetrical** Butterfly model installation. However please note that it may be necessary to carefully flip the glass from one side to the other to determine the correct panel position for both models.

1. Place the **Glass door A (04)** and the **Glass door B (05)** on a flat surface. The distances from the glass edge to the paired holes on both sides of the glass doors are different. The side of each **Glass door** where the paired holes are closer to the edge should be facing each other.

See Fig. 1 for details.

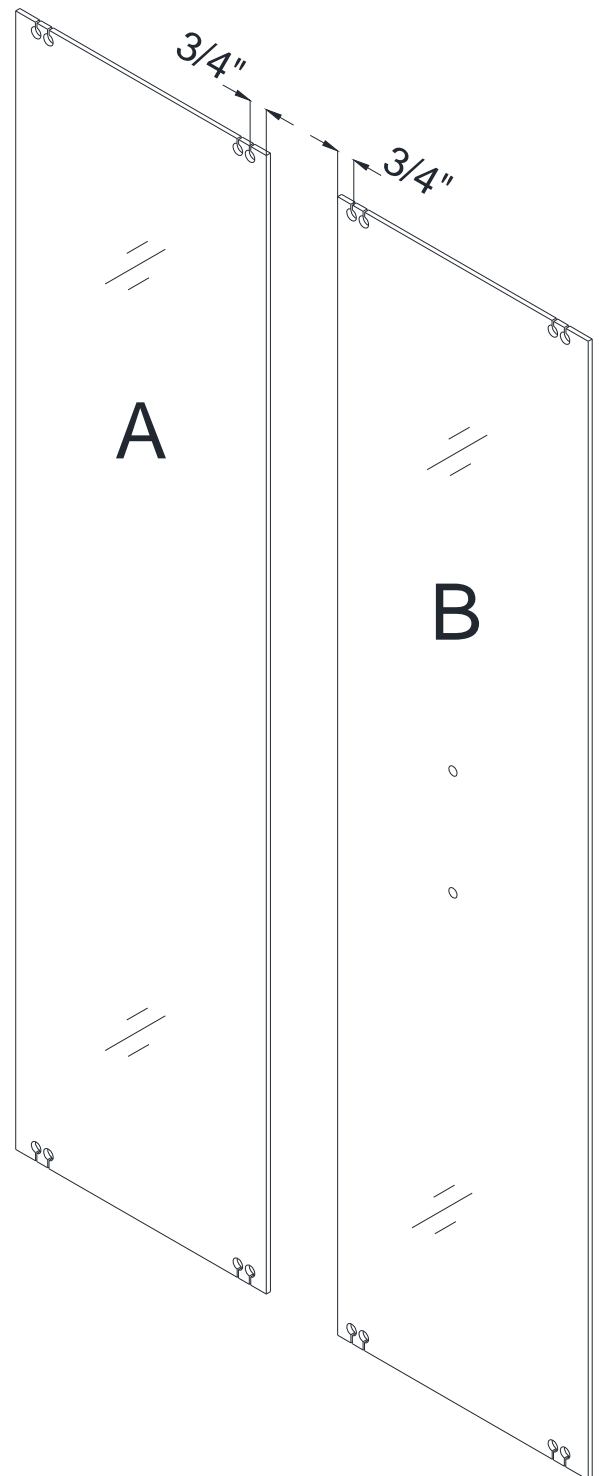


Fig. 1

2. Attach the top and the bottom **Hinges (13)** to the left edge of the **Glass door A (04)**. Mind the position of the **Hinges** on the glass.

See Fig. 2 and Fig. 5 for details.

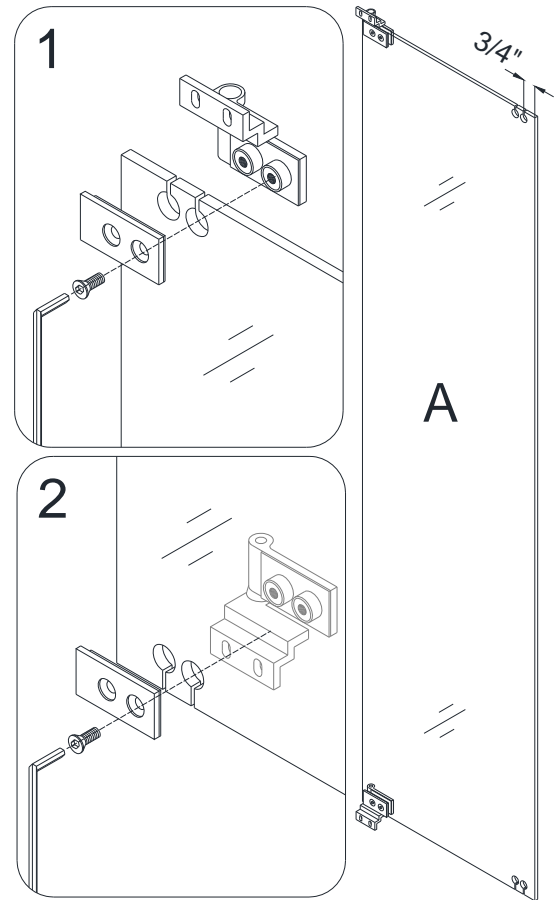


Fig. 2

3. Attach the top and the bottom **Roller hinges (12)** to the right edge of the **Glass door B (05)**. Mind the position of the **Roller hinges** on the glass.

See Fig. 3 and Fig. 5 for details.

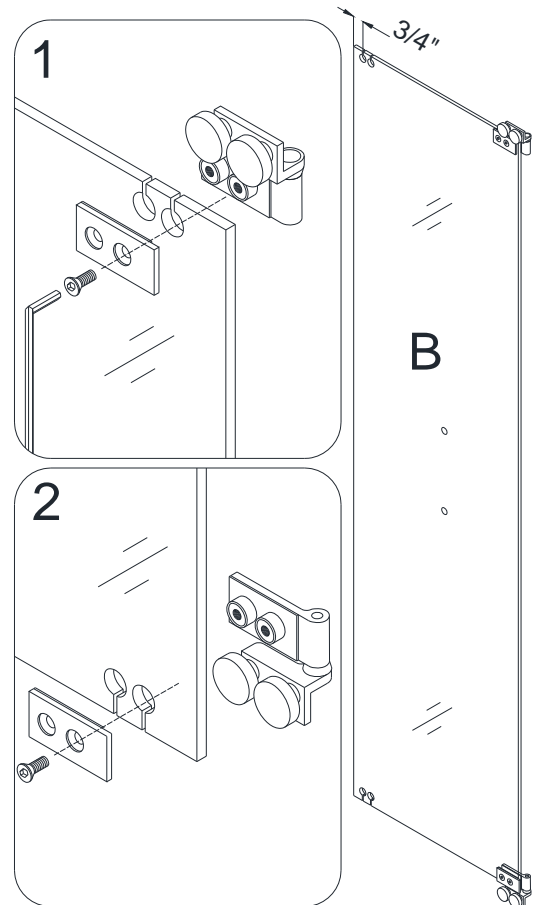


Fig. 3

4. Connect the **Glass door A (04)** to the **Glass door B (05)** using the **Middle hinges (11)**. Mind the position of the **Middle hinges** on the glass.

See Fig. 4 and Fig. 5 for details.

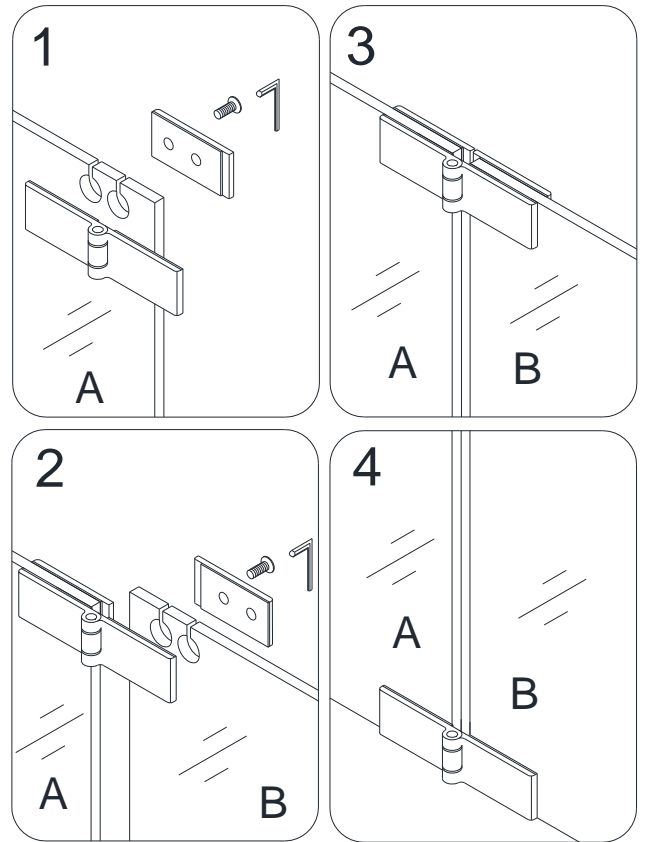


Fig. 4

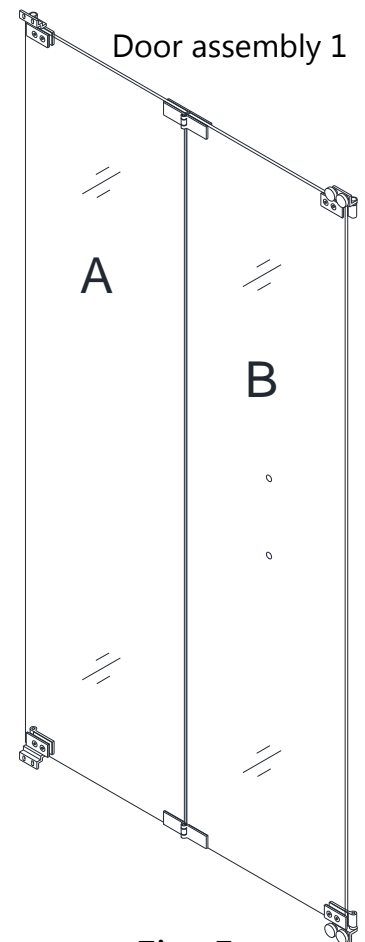


Fig. 5

5. Place the other **Glass door B2 (05)** and the other **Glass door A2 (04)** on a flat surface. The distances from the glass edge to the paired holes on both sides of the **Glass door** are different. The side of each **Glass door** where the paired holes are closer to the edge should be facing each other.

See Fig. 6 for details.



Fig. 6

6. Attach the top and the bottom **Roller hinges (12)** to the left edge of the **Glass door B2 (05)**. Mind the position of the **Roller hinges** on the glass.

See Fig. 7 and Fig. 10 for details.

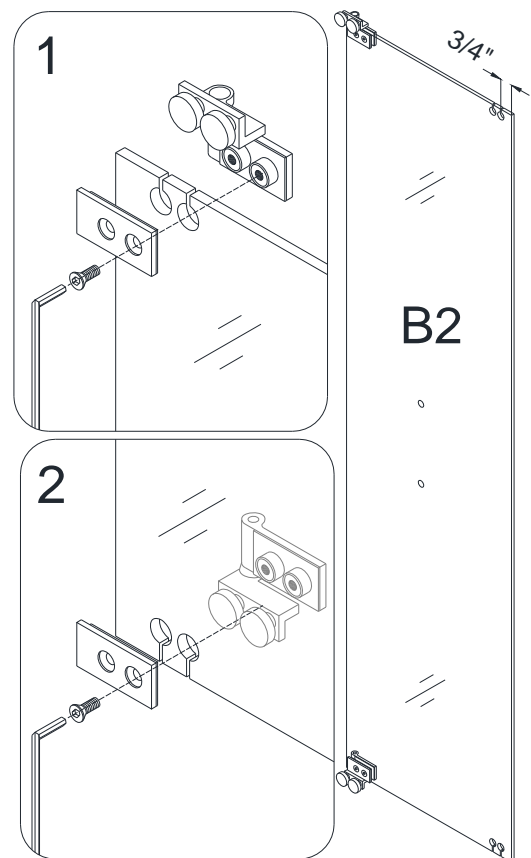


Fig. 7

7. Attach the top and the bottom **Hinges (13)** to the right edge of the **Glass door A2 (04)**. Mind the position of the **Hinges** on the glass.

See Fig. 8 and Fig. 10 for details.

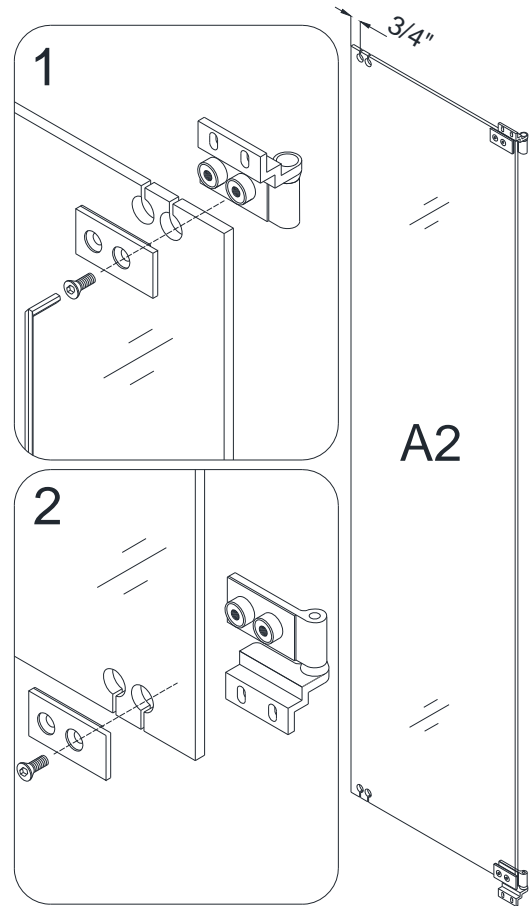


Fig. 8

8. Connect the **Glass door B2 (05)** to the **Glass door A2 (04)** using **Middle hinges (11)**. Mind the position of the **Middle hinges** on the glass.

See Fig. 9 and Fig. 10 for details.

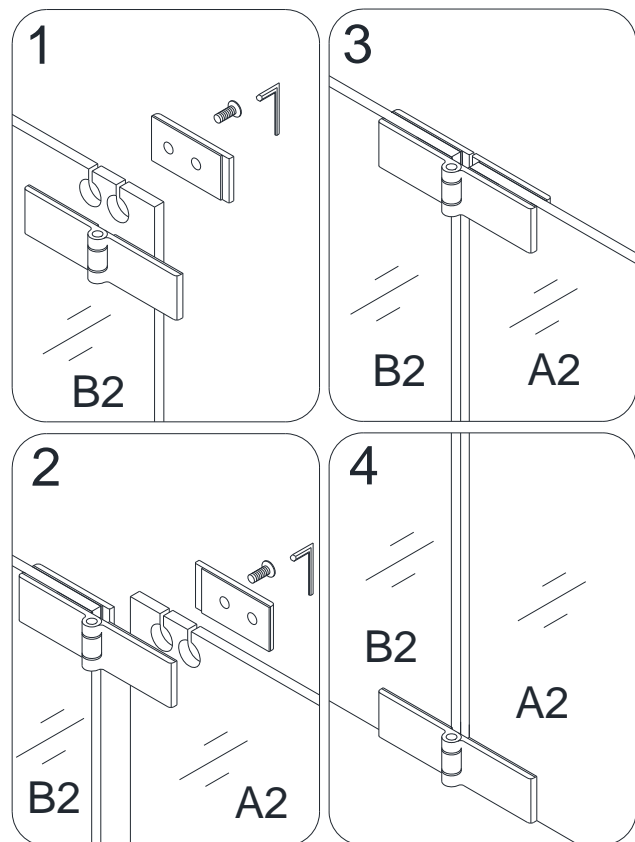
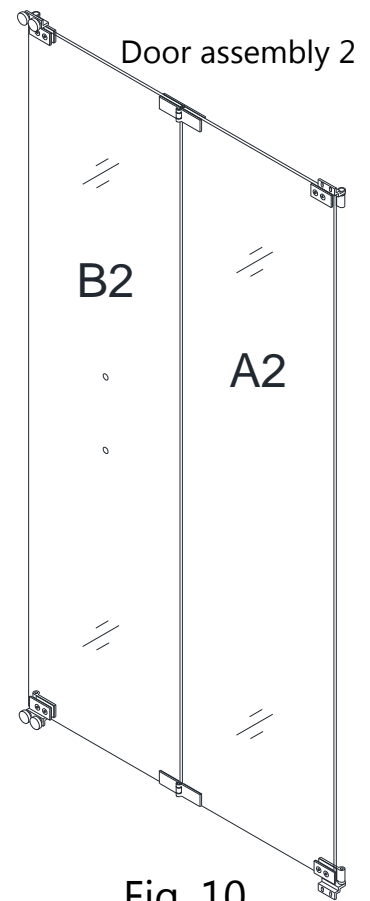


Fig. 9

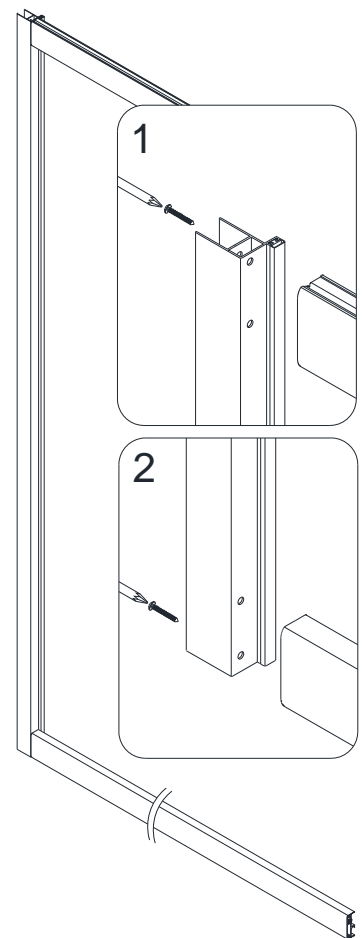


9. Locate the **Guide rails (03)** and the **Glass profile (02)**. Connect the left end of the **Guide rails** to the **Glass profile** using the **Big flat head screws ST4.2×40 (09)**.

See Fig. 11 for details.

NOTICE:

Make sure that the Seal strip flange on the **Glass profile** is pointing in towards the shower.



10. Slide the pre-installed **Door assembly 1** (as showing in Fig. 5) into the channel of the **Guide rails (03)** from the right side.

See Fig. 12 and Fig. 13 for details.

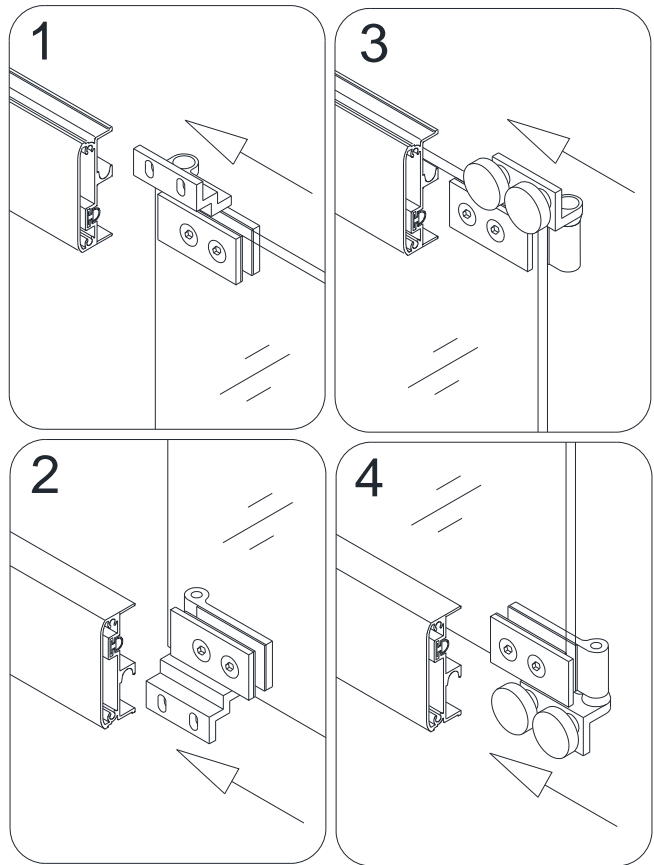


Fig. 12

11. Secure the **Hinges (13)** inside the **Guide rails (03)** using the **Big flat head screw ST4.2×12 (08)**.

See Fig. 13 for details.

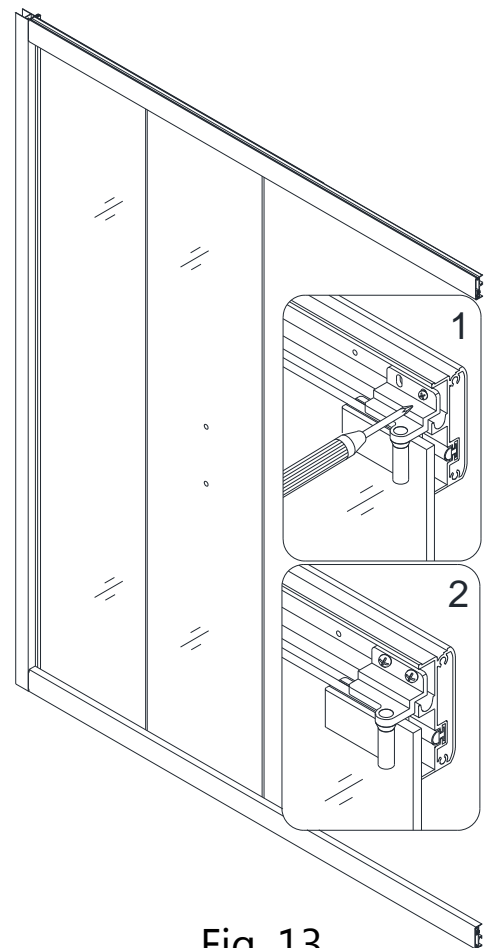


Fig. 13

12. Slide the pre-installed **Door assembly 2** (that showing on Fig. 10) into the channel of the **Guide rails (03)** from the right side.

See Fig. 14 and Fig. 15 for details.

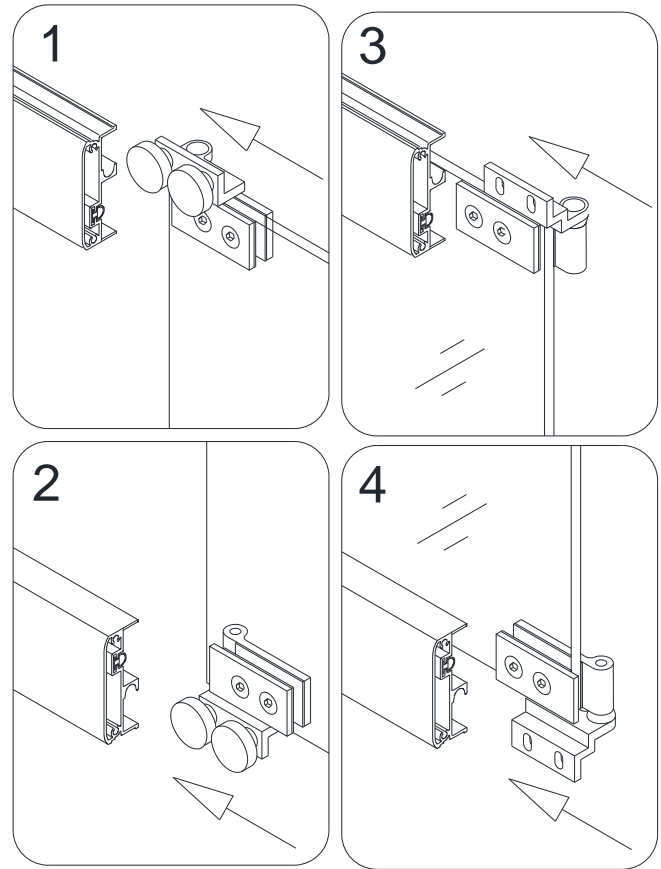


Fig. 14

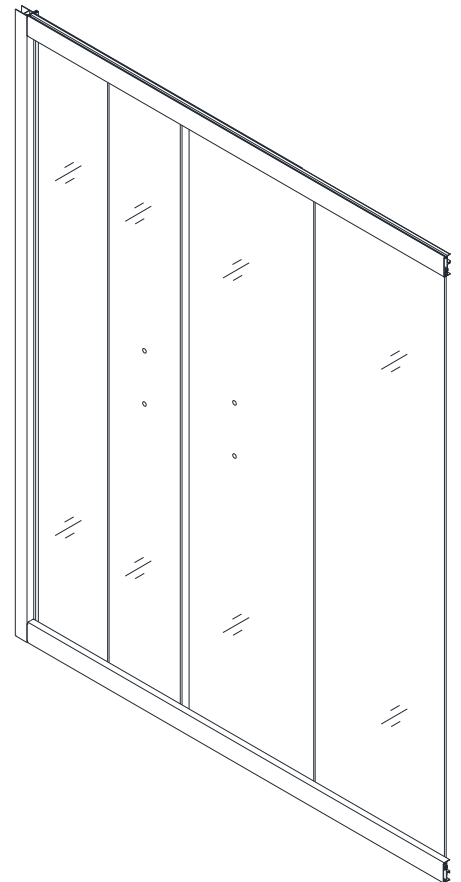


Fig. 15

13. Attach the other **Glass profile (02)** at the right side of the door unit and fasten it to the **Guide rails (03)** with the **Big flat head screw ST4.2×40 (09)**.

See Fig. 16 and Fig. 18 for details.

NOTE:

Make sure that the Seal strip flange on the **Glass profile** is pointing inside the Shower.

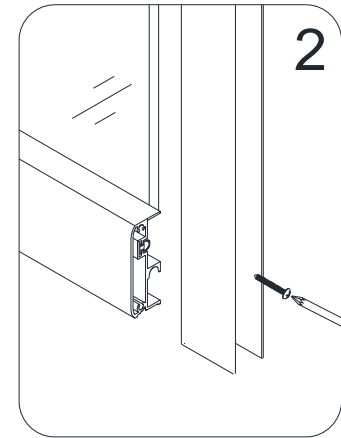
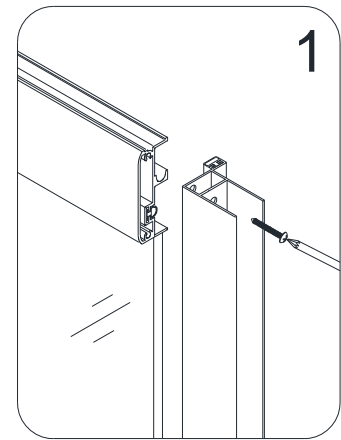


Fig. 16

14. Secure the right **Hinges (13)** inside the **Guide rails (03)** using the **Big flat head screw ST4.2×12 (08)**.

See Fig. 17 and Fig. 18 for details.

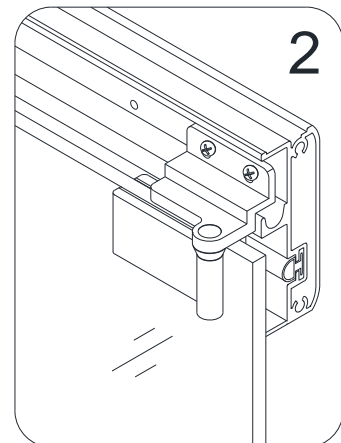
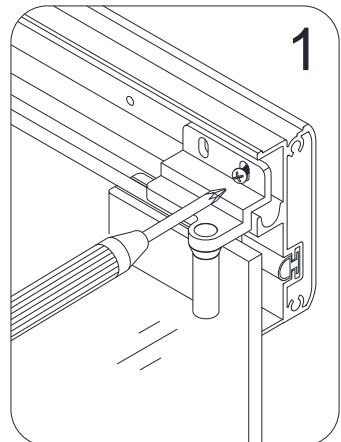


Fig. 17

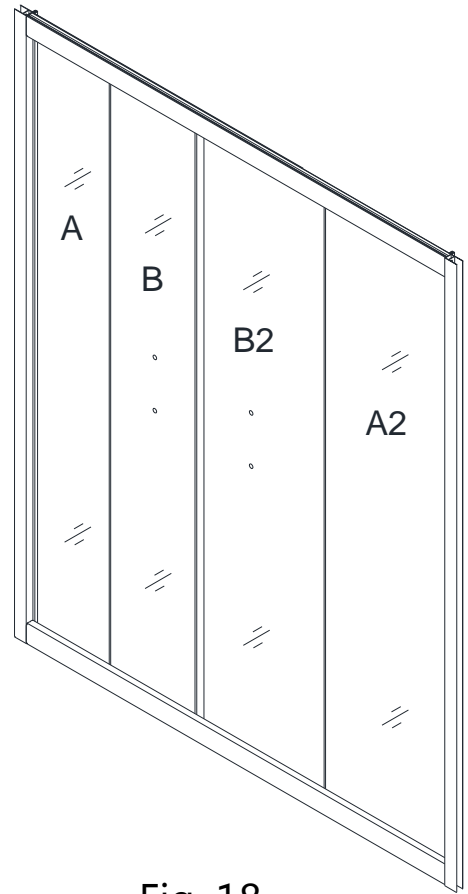


Fig. 18

15. Attach the **Roller stoppers (16)** inside the top and the bottom **Guide rails (03)** with the **Big flat head screw ST4.2×12 (08)**.

See Fig. 19 for details.

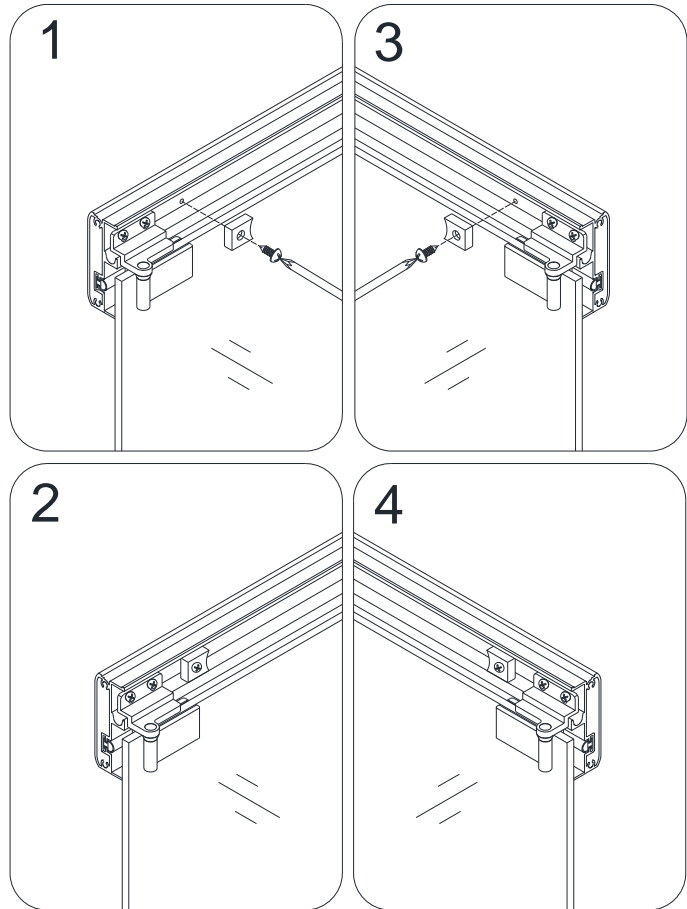


Fig. 19

Shower Door Installation

16. The Tub or Shower base should be installed prior to installation. The Shower base should be installed according to the Shower base installation manual.

See Fig. 20 and 21 for details.

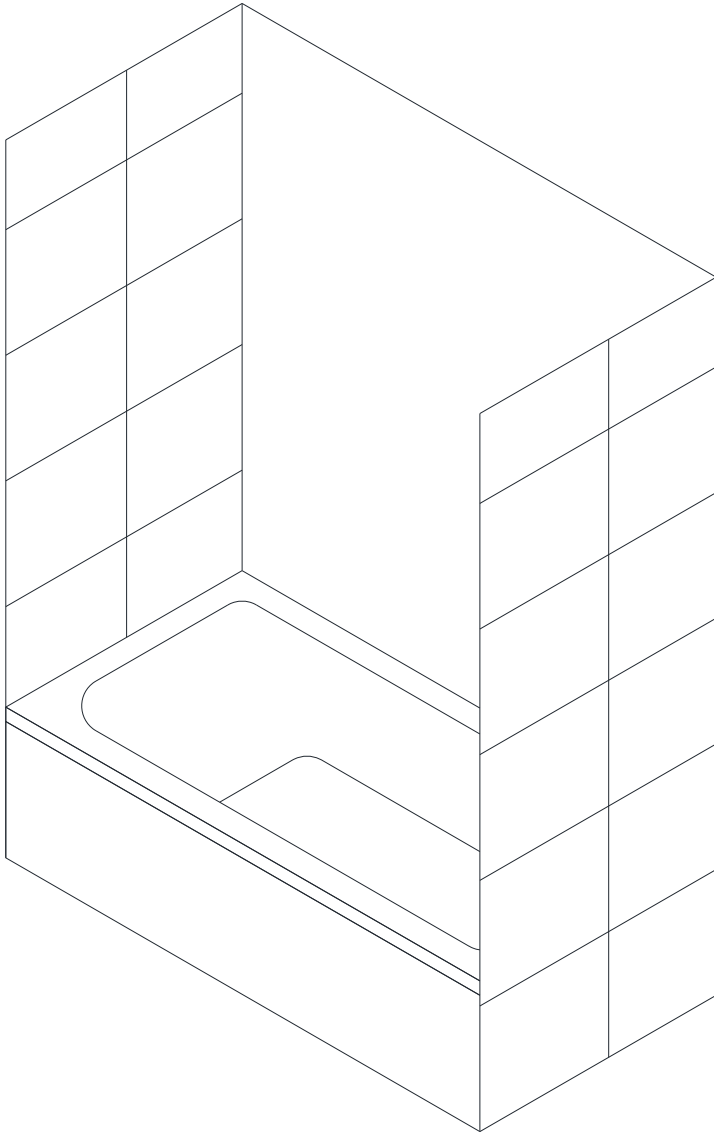


Fig. 20

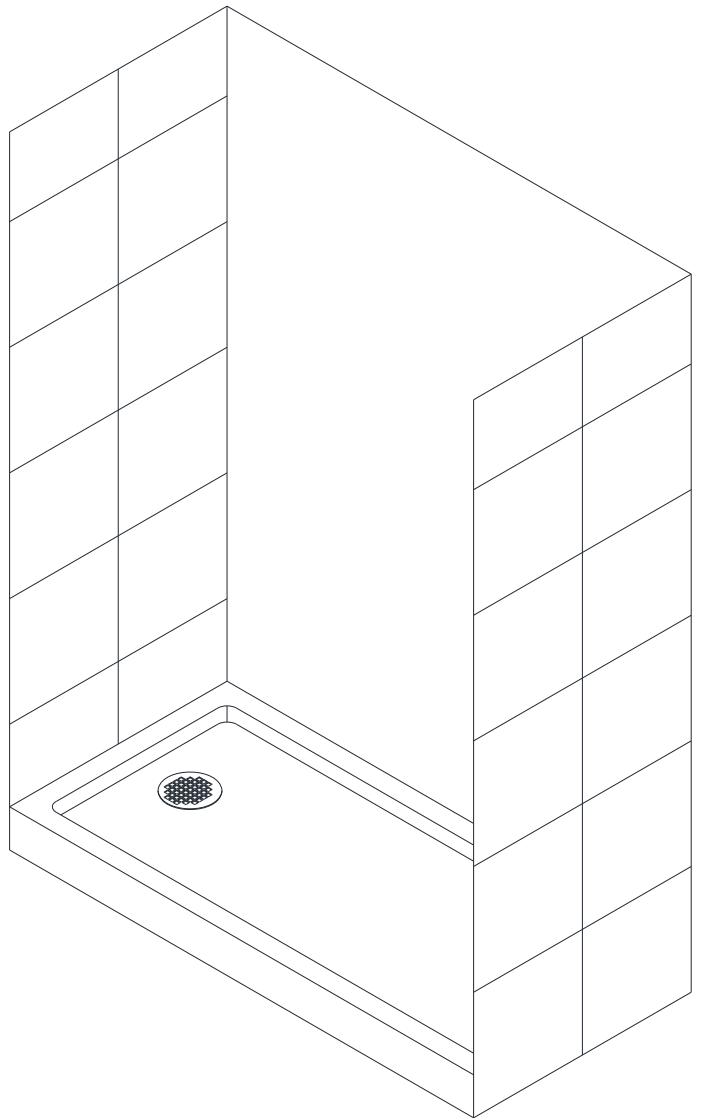


Fig. 21

17. Push the **Wall profiles (01)** over the **Glass profiles (02)** on both sides. Be sure that the flanges with predrilled holes are pointing in towards the shower.

See Fig. 22 and Fig. 23 for details.

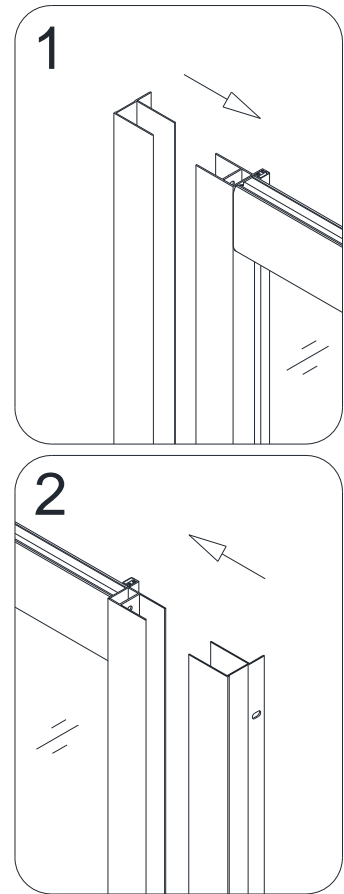


Fig. 22

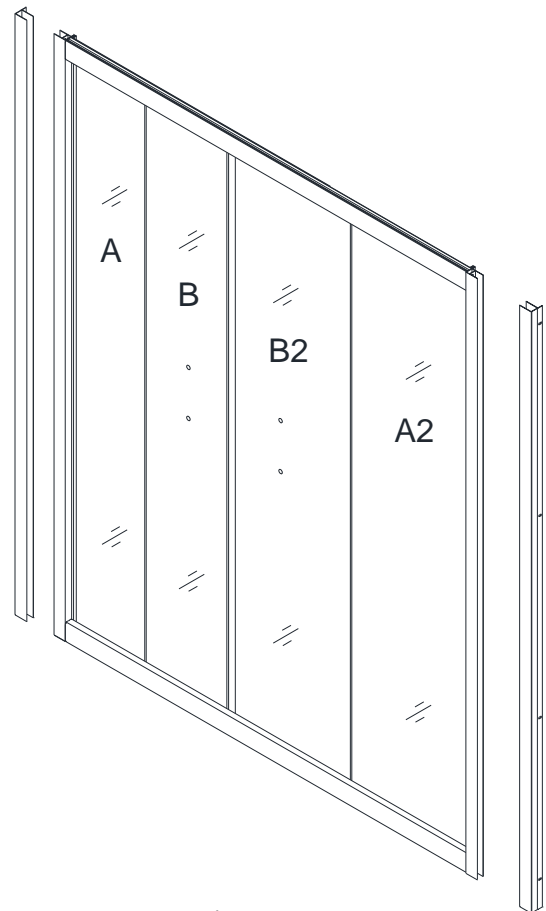
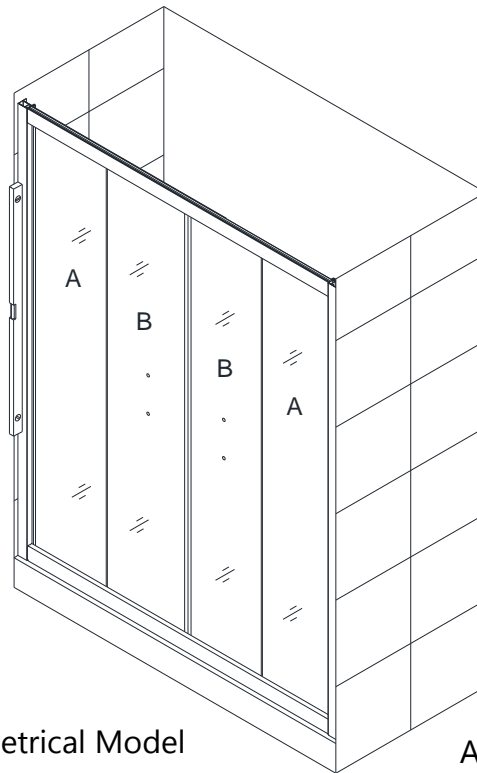


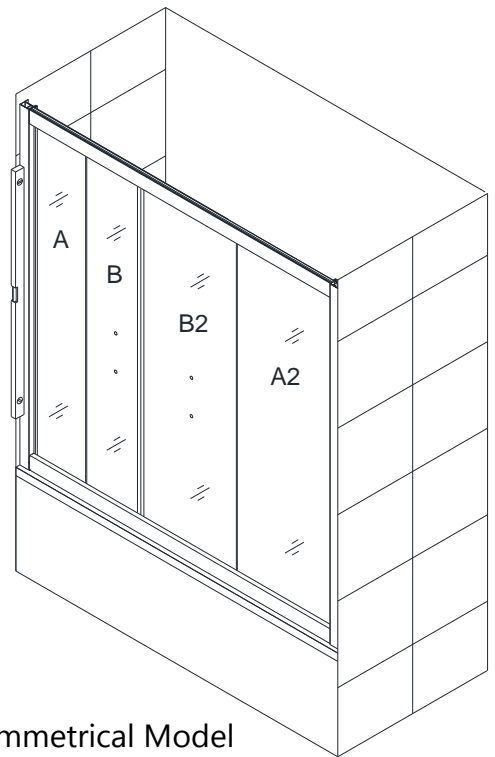
Fig. 23

18. Move the assembled Door unit on the Shower base or the Tub and butt the **Wall profiles (01)** up against the walls. Level the Door unit vertically. You can adjust position of the Door unit by slightly pulling the **Glass profiles (02)** out of the **Wall profiles**.



Symmetrical Model

Fig. 24



Asymmetrical Model

Fig. 25

See Fig. 24 and Fig. 25 for details.

19. Trace the drilling holes on the wall through the predrilled holes in the **Wall profile (01)**. Move the Door unit aside. Drill the holes on the wall using **Ø 5/16 drill bit** and insert the **Wall anchors (06)**. Apply a bead of silicone on the wall along the drilled holes and around the holes. Apply a bead of silicone on the shower base along the bottom **Guide rail (03)**. Place the assembled Door unit back to the designated position on the Shower base or the Tub. Fasten the **Wall profile** to the wall with the **Big flat head screw ST4.2×40 (09)**.

See Fig. 26 for details.

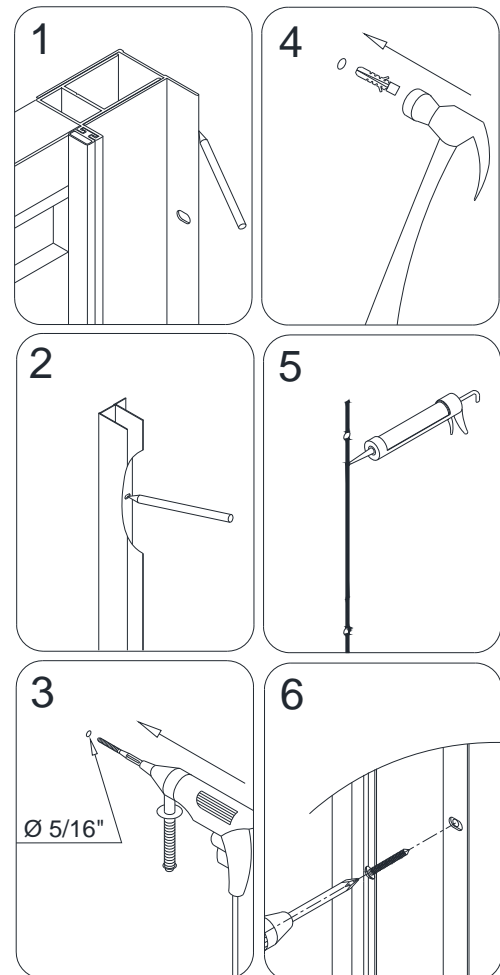


Fig. 26

20. Make final adjustment if required. Drill the holes through the first layer into the **Wall profiles (01)** and the **Glass profiles (02)** using **Ø 1/8 drill bit**.

Secure the **Wall profiles** and the **Glass profiles** with the **Round head screws ST4.2×10 (07)**. Use the raised white washer with the screw and attach the **Decorative Covers (10)**.

See Fig. 27 for details.

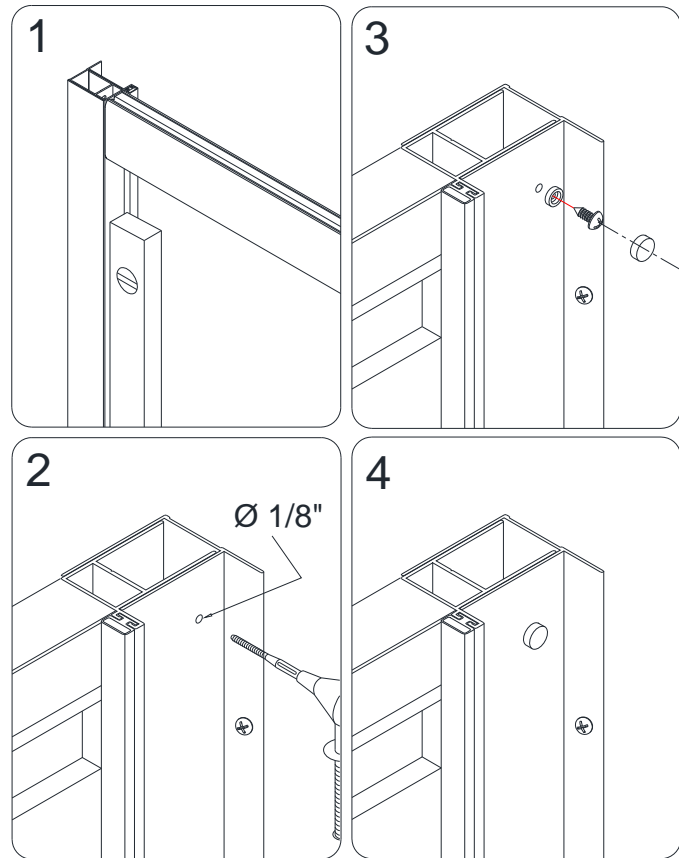


Fig. 27

21. Adjust the **Roller hinges (12)** to make the door slide smoothly.

See Fig. 28 for details.

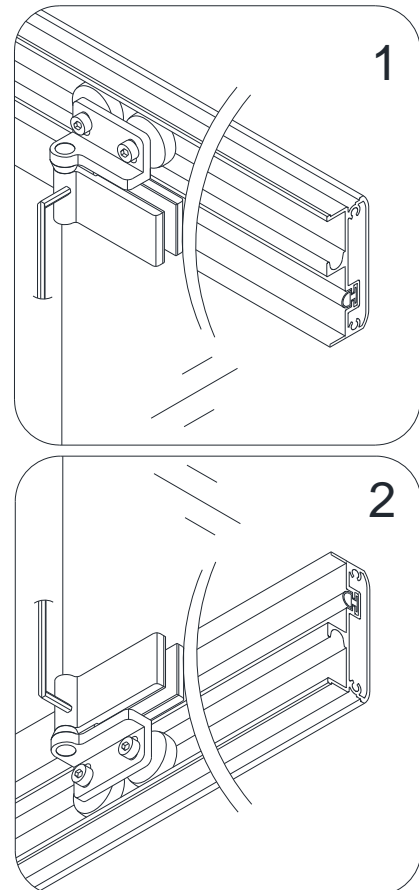


Fig. 28

22. Mount the **Handles (17)** onto the both **Glass doors B & B2 (05)**. Cover the screw holes on the **Handles** with the provided decorative plugs.

See Fig. 29 for details.

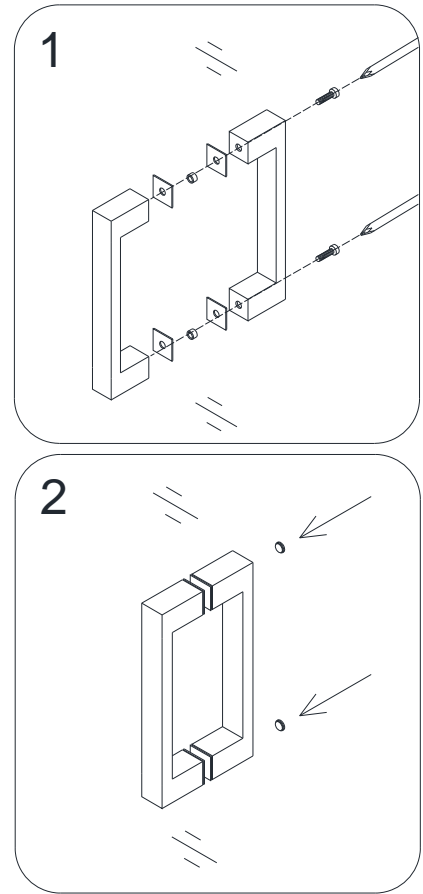


Fig. 29

23. Open the door and attach **Side anti-water strips (15)** to both vertical edges of the **Glass doors**. The strip flange should point away from the shower faucet. Attach **Magnetic strips (19)** to both vertical edges of the **Glass doors B & B2 (05)**.

See Fig. 30 for details.

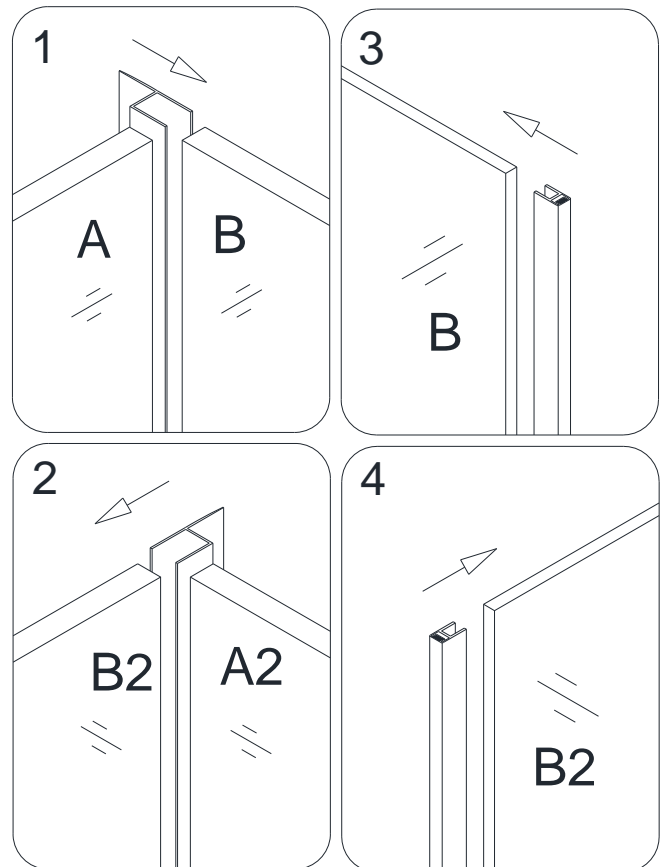


Fig. 30

24. Apply silicone along the **Wall profiles (01)**, as well as along the bottom **Guide rail (03)**.

See Fig. 31 for details.

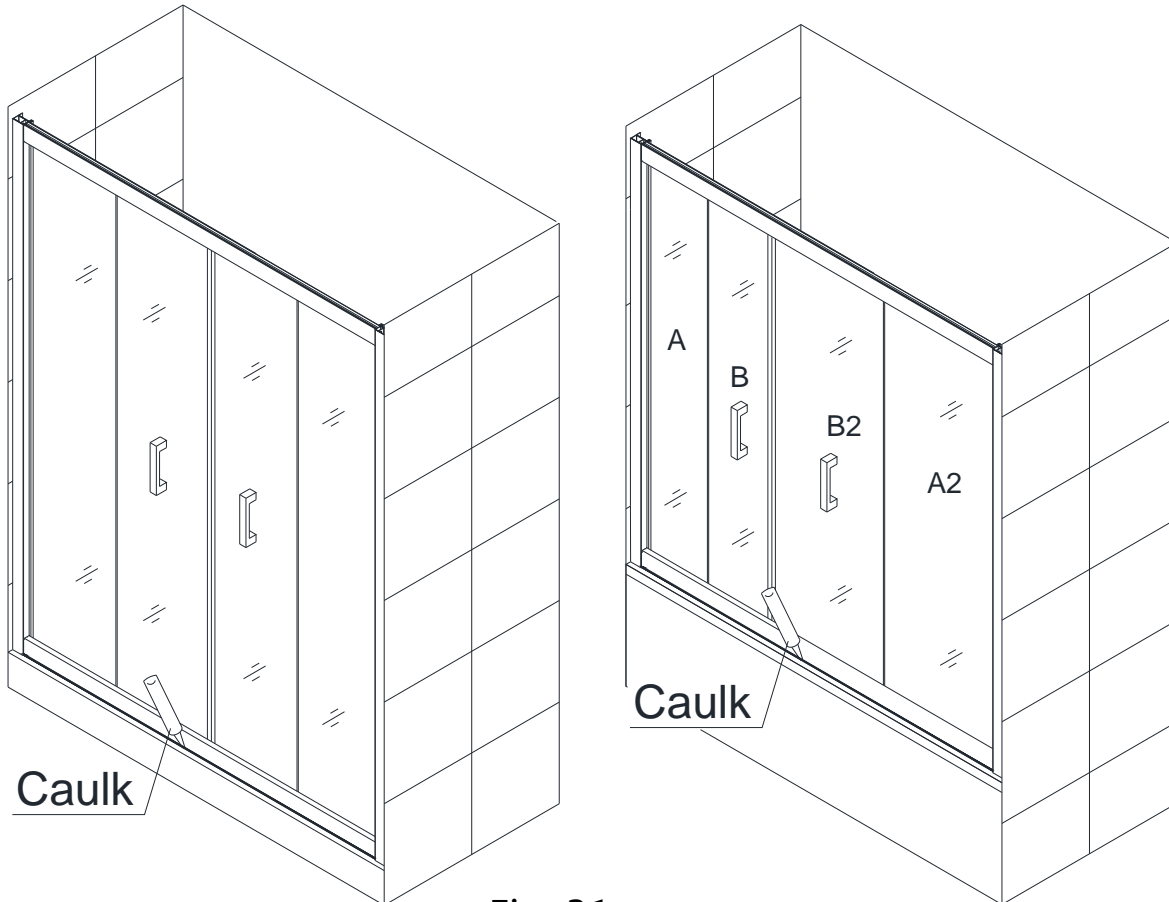


Fig. 31

Product Maintenance

To ensure long lasting life for your acrylic back walls, wipe them off after each use with a soft cloth. To clean the acrylic back walls use non-abrasive sprays or cream based cleaners. Never use abrasive cleansers, metal brushes or scrapers that could scratch or dull the surface.

To ensure long lasting life for your glass shower products, wipe them off after each use with a soft cloth. Rinse and wipe off the glass using either soft cloth or squeegee to prevent soap buildup. Never use abrasive cleaners and cleaning products that contain scouring agents as this may scratch the surface. Never use bristle brushes or abrasive sponges.

To ensure a long lasting hardware finish, wipe off the metal parts after each use with a soft cloth. Do not use abrasive cleaners or cleaning products containing ammonia, bleach or acid. If accidentally used, rinse the surface as soon as possible to prevent finish peeling or corrosion. After cleaning the shiny finishes, rinse thoroughly and wipe dry with soft cloth. Clean stainless steel surfaces at least once a week. When applying stainless steel cleaner or polish, work with (not against) the grain. Never use an abrasive sponge or cloth, steel wool or wired brushes.

DREAMLINE™ EXCLUSIVE LIMITED WARRANTY AS OF MAY 6, 2013

This warranty extends only to the original owner/end-user for household use only and is not transferable to a subsequent owner. This warranty extends for a designated period of time, so long as it remains in use in its original place of installation. This warranty applies only to DreamLine products purchased from an authorized dealer in United States or Canada. Proof of purchase (original sales receipt) from the original consumer purchase must be provided with all warranty claims.

IN NO EVENT SHALL THE LIABILITY OF DREAMLINE EXCEED THE PURCHASE PRICE OF THE UNIT.

DreamLine products must be installed by a fully insured and licensed professional. Installation of DreamLine product by anyone other than fully insured licensed professionals shall **VOID THE WARRANTY**. DreamLine recommends that such licensed professionals have experience in the installation of bathroom products. Installation of certain products, including, without limitation, glass products (i.e., shower and tub doors) by an inexperienced installer may result in glass breakage and, consequently, cause personal injury or death.

PARTS ONLY WARRANTY

This warranty is extensive in that it covers replacement of all defects. LABOR CHARGES AND/OR DAMAGE INCURRED IN INSTALLATION, REPAIR, OR REPLACEMENT, AS WELL AS ANY OTHER KIND OF LOSS OR DAMAGE ARE EXCLUDED

COMMERCIAL USE AND OTHER EXCLUSIONS

This warranty excludes all industrial, commercial and business usage, whose purchasers are hereby extended a one (1) year limited warranty from the date of purchase for shower and tub doors, a three (3) month limited warranty from the date of purchase for vanities and sinks, with all other terms of this warranty applying except the duration of the warranty.

DREAMLINE JETTED AND STEAM SHOWER CABINS, DREAMLINE SHOWER COLUMNS AND DREAMLINE SHOWER SEATS ARE NOT INTENDED FOR COMMERCIAL USE AND THERE IS NO WARRANTY EXTENDED FOR THESE PRODUCTS FOR COMMERCIAL USE.

DreamLine hereby disclaims all warranties for products sold as dealer or store displays. DreamLine hereby disclaims all warranties for products used outside of the United States or Canada whether expressed or implied, including but not limited to the implied warranties of merchantability and fitness for a particular purpose.

WARRANTY TERMS

DreamLine will, at its election, repair or replace the product found by DreamLine in its sole judgment, to be defective within the warranty period under normal residential use and maintenance. The replacement of a product is limited to supplying a replacement product or part (same as existing or if not available, comparable product). DreamLine warranty obligation shall be discharged upon tender of parts, replacement or repair of the product. Purchaser's refusal to accept the tender terminates all warranty obligations and **VOIDS THE WARRANTY**. Cost of freight for returning products to DreamLine for repairs or replacement under this limited warranty are the responsibility of the customer. Cost of freight associated with shipping of replacement product or parts to the customer may be charged to customer. Any product replaced or repaired during the warranty period will be covered only for the remaining period of the original warranty. In no event will DreamLine be liable for costs of repair or replacement of any installation material, including but not limited to tiles, marble, etc.

DREAMLINE IS NOT RESPONSIBLE FOR INSTALLATION, REMOVAL OR REINSTALLATION COSTS OF ANY PRODUCT REQUIRING WARRANTY SERVICES.

Any modification or alteration of any DreamLine products will void the warranty. DreamLine product installations and repairs must be performed by either a DreamLine authorized agent or a licensed, insured and experienced professional contractor - installation or repairs performed by any other party shall void the warranty. This warranty shall not apply to breakage or damages caused by normal wear and tear, fault, carelessness, abuse, misuse, misapplication, improper maintenance, alteration or modification of the unit, as well as chemical or natural corrosion, accident, fire, flood, act of God or any other casualty. Improper care and cleaning will void the warranty. Use of cleaners containing abrasive cleansers, ammonia, bleach, acids, waxes, alcohol, solvents or other products not recommended for chrome or similar finish, glass or acrylic will void the warranty. For additional product maintenance instructions please refer to product installation manual. DreamLine is not responsible for any issues arising in connection with errors or omissions in information provided on DreamLine's websites. The warranty does not extend to any non-DreamLine plumbing or components installed by installers, end users or by any party other than DreamLine.

THE FOREGOING WARRANTIES ARE IN LIEU OF ALL OTHER WARRANTIES, EXPRESSED OR IMPLIED, INCLUDING BUT NOT LIMITED TO THE IMPLIED WARRANTIES OF MERCHANTABILITY AND FITNESS FOR A PARTICULAR PURPOSE. BATH AUTHORITY LLC ("DREAMLINE") AND/OR SELLER DISCLAIMS ALL LIABILITY FOR SPECIAL, INCIDENTAL OR CONSEQUENTIAL DAMAGES. DREAMLINE IS NOT LIABLE FOR PERSONAL INJURIES OR DEATH TO ANY PERSON OR FOR ANY DIRECT, SPECIAL, INCIDENTAL OR CONSEQUENTIAL DAMAGE, LOSS OF USE, LOSS OF TIME, LOSS OF PROFITS, INCONVENIENCE, INCIDENTAL EXPENSES, LABOR OR MATERIAL CHARGES, OR ANY OTHER COSTS RESULTING FROM THE USE OF ITS PRODUCTS OR PERTAINING TO THE APPLICATION OF THE PRESENT WARRANTY, OR RESULTING FROM THE REMOVAL OR REPLACEMENT OF ANY PRODUCT OR ELEMENT OR PART COVERED BY THIS WARRANTY.

PRODUCT WARRANTY PERIODS

DreamLine is not responsible for product code compliance or for verifying building code restrictions on installation or use and any such compliance is excluded from this warranty. DreamLine reserves the right to modify this warranty at any time - such warranty modifications will not alter the warranty applicable at the time of sale of the products in question. The warranty terms for specific products for consumer (non-industrial, non-commercial, non-business use only) are:

SHOWER BACKWALL, SHOWER CABINS (JETTED & STEAM)

DreamLine warrants shower backwalls and shower cabins to be free from defects in workmanship for a period of one (1) year from initial date of purchase by the owner/end-user, contractor or builder from an authorized dealer.

SHOWER & TUB DOORS, SHOWER ENCLOSURES

DreamLine warrants shower doors, tub doors and shower enclosures to be free from defects in workmanship and materials under normal residential use for a period of five (5) years from the initial date of purchase by the owner/end-user, contractor or builder from an authorized dealer. Warranty for plastic strips shall be limited to one (1) year. Warranty for any part in Oil Rubbed Bronze finish shall be limited to one (1) year.

SHOWER BASES

DreamLine warrants shower bases to be free from defects in workmanship and materials under normal residential use for as long as the original consumer purchaser owns their home in which their product is installed.

SHOWER COLUMNS

DreamLine warrants shower columns to be free from defects in workmanship and materials under normal residential use for a period of one (1) year from the initial date of purchase by the owner/end-user, contractor or builder from an authorized dealer.

SHOWER SEATS

DreamLine warrants shower seats to be free from defects in workmanship and materials under normal residential use for a period of one (1) year from the initial date of purchase by the owner/end-user, contractor or builder from an authorized dealer. Warranty shall be VOID if the shower seat is not professionally installed on a properly reinforced wall.

VANITIES AND VESSEL SINKS

DreamLine warrants bathroom vanities and vessel sinks to be free from defects in workmanship and materials under normal residential use for a period of one (1) year from the initial date of purchase by the owner/end-user, contractor or builder from an authorized dealer.

STATE LAWS AND THIS WARRANTY

Some states/provinces do not allow limitations on how long an implied warranty lasts, or the exclusion or limitation of special, incidental or consequential damages, so these limitations and exclusions may not apply to you. This warranty gives you specific legal rights. You may also have other rights, which vary from state/province to state/province.

WARRANTY SERVICE

The following information will be required for you to file a Warranty claim:

1. Your name, address and telephone number
2. Product model number
3. Brief description of problem (please note that additional information such as photos may be required to fully process your warranty claim)
4. Proof of purchase

You may submit this information by e-mail, mail or fax to:

DreamLine
Warranty Service Center
75 Hawk Road
Warminster, PA 18974
F:1-866-857-3638
T:1-866-731-2244

Warranty@bathauthority.com



TEL: [866-731-2244](tel:866-731-2244)

FAX: [866-227-1533](tel:866-227-1533)

WWW.BATHAUTHORITY.COM

For more information on [DreamLine™ Shower Door](#) and [Tub Door](#) please visit www.BathAuthority.com