



Shower Column SHCM-2718-00 Installation Guide



I. Parts List:

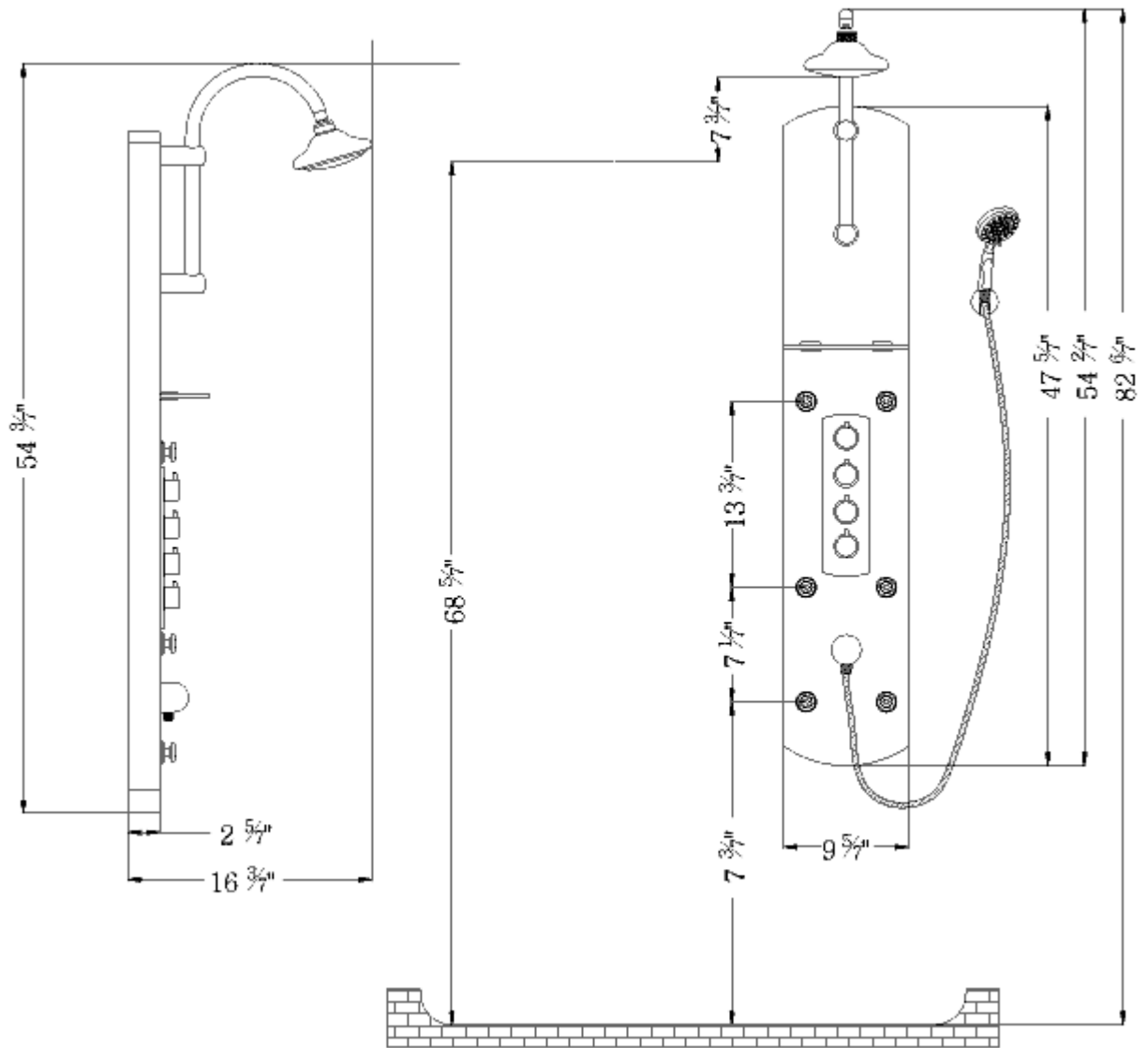


1.	Goose-neck shower arm	1 pc	12, 21	Mounting screws	4pcs
2,3	Nuts	2 pc	13, 14	Water supply hoses	2pcs
4,7, 23	Rubber washer (used together with parts # 1,8,24,13,14)	6 pc	8.	Rubber gasket	2pcs
5	L-fitting	1 pc	17	Mounting bracket	1pc
6	Shower arm water supply fitting	1 pc	20	Hand shower wall mounting bracket	1pc
8.	Showerhead	1 pc	22	Hand shower	1pc
10, 19	Wall anchors	4pcs	24	59" flexible shower hose kit	1pc
11	Stainless steel washer	4pcs	25	Corner mounting bracket (used for corner installation)	1pc

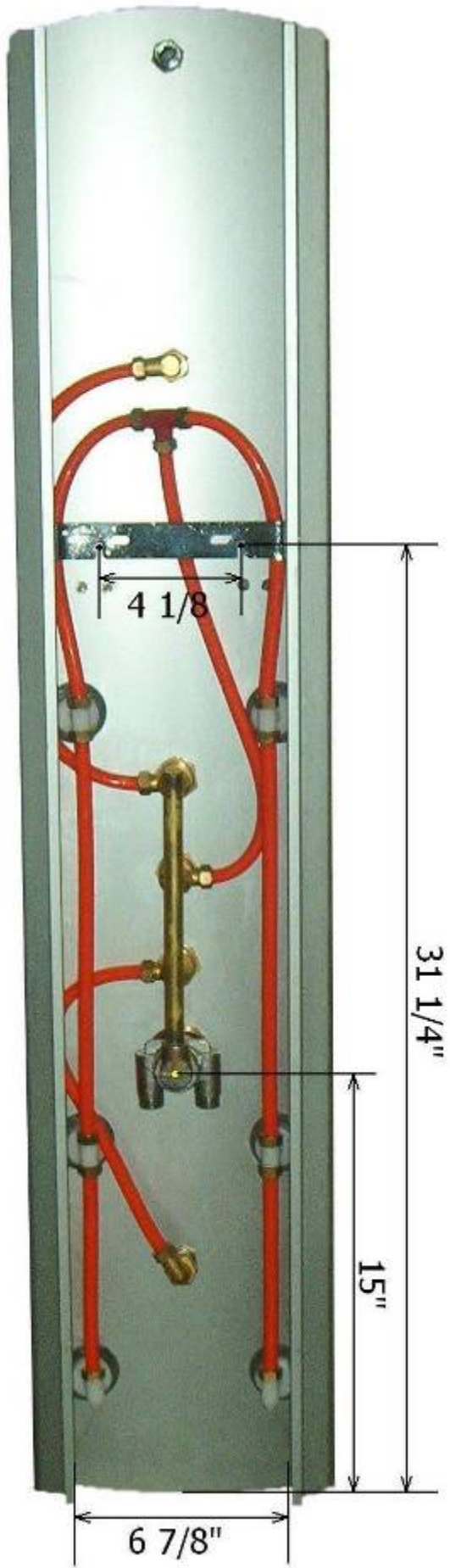
II. Preparation

1. After opening the box, read this introduction carefully, check all the packed parts are complete by cross checking of all the components. Examine for shipping damage. If the unit has been damaged or has a finishing defect, please contact your local distributor within 2 business days. Please note that **Bath Authority™ / DreamLine™ will not replace any damaged product or parts free of charge, ONCE the product has been installed.** Your distributor's responsibility for damage in transit is limited after the shower package has been transferred to the transportation company, so you may have to contact the transportation company directly to report damage. Contact your distributor or DreamLine if you have any questions.
2. You should consult your local building codes on questions on installation compliance standards.
3. Install all of the required plumbing. Your plumber will need to supply with two ½" male threaded pipes for hot and cold water outlets.
4. **Use a competent and licensed (if required by local code) plumber for all plumbing installation.**
5. Please, note that there are some adjustments and drilling might be necessary during the installation process.

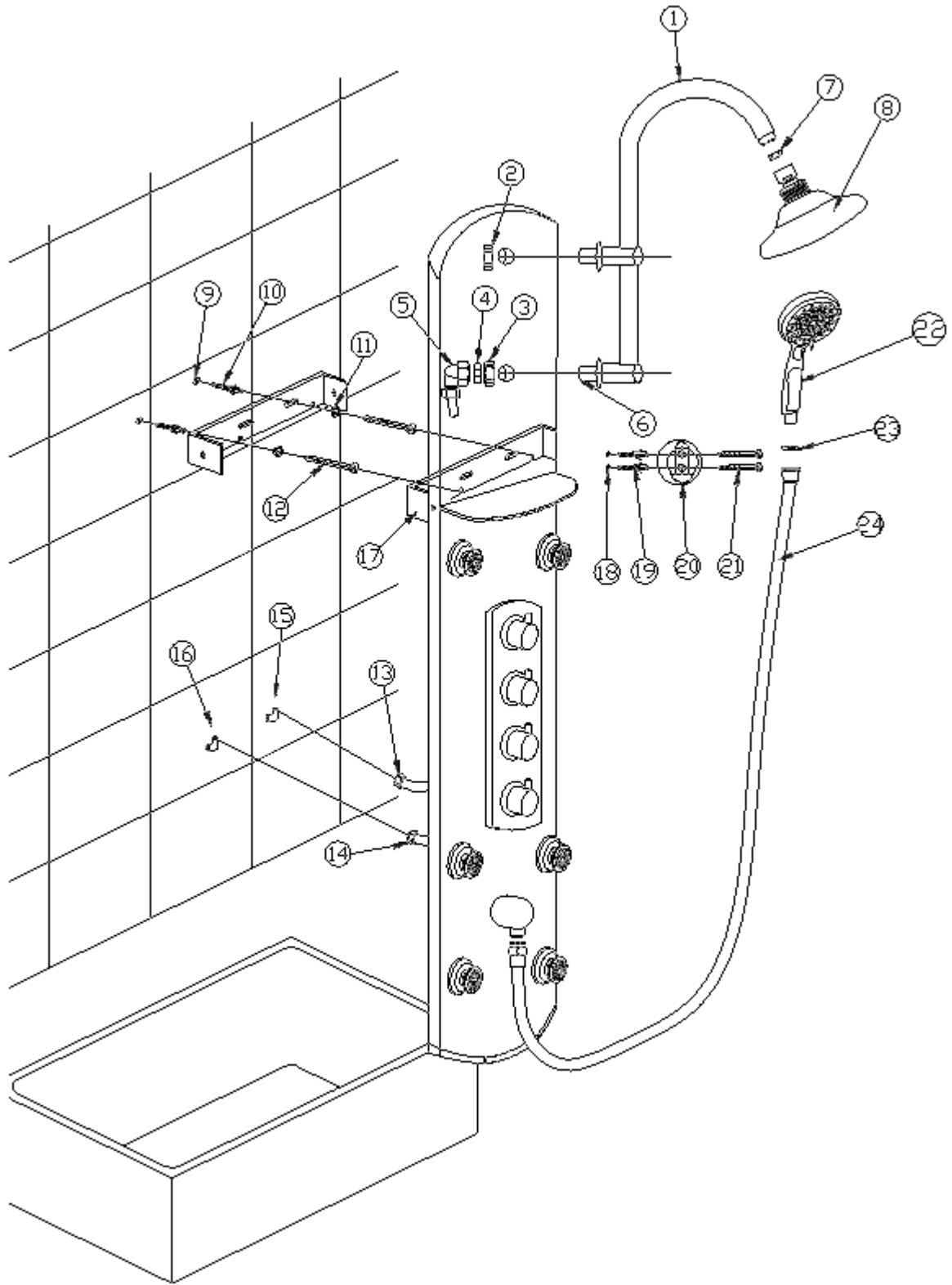
III. Technical specifications



Technical Diagram



IV. Installation procedure



Refer to the technical diagram to choose the proper location for your shower column. You can adjust the column's vertical position based on the person's height. (Measurements given in the technical diagram are based on the average human height – 68"-70").

1. Secure the Goose-neck shower arm (1) on to the column using nuts (2) and (3).
2. Place gasket (4) into L-fitting (5).
3. Connect L-fitting (5) with Shower arm water supply fitting (6).
4. Place rubber washer (7) into the Shower head (8).
5. Connect the Shower head (8) to the Shower arm (1).
6. Choose the proper location for your column and mark the drill holes (9). Drill the holes on the distance 4 ¼" from each other.
7. Insert Wall anchors (10) inside the holes.
8. Tighten the screws (12) to the wall with stainless steel washers (11). Leave the screw heads ¼" from the wall.
9. Connect the flexible hot (13) and cold (14) water supply lines to hot (15) and cold (16) water outlets (supplied by your plumber) accordingly.
10. Hang the Mounting bracket (17) on the screws (12) secured in the wall.
11. **Securing the Hand shower bracket:** Place bracket (20) against wall in place you want to install hand shower and mark the drill holes (18). Drill the holes. Insert Wall anchors (19) into the holes.
12. Secure the Hand shower bracket (22) to the wall by screws (21).
13. Attach the flexible shower hose (24) to the column body. NOTE: do not forget to use the rubber washer (24) to prevent leakage on the connection. Flexible hose end with a nut should be attached to the column.
14. Connect the handheld shower head (22) to the hose (24) placing the rubber washer (23) in the fastening nut.

Corner installation

For Corner installation you need to install Corner mounting bracket (25). Refer to the technical diagram to choose the proper location for your shower column. You can adjust the column's vertical position based on the person's height. (Measurements given in the technical diagram are based on the average human height – 68"-70").

6. Choose the proper location for your column and mark the drill holes (9). Drill the holes on the distance 2 ¼" from corner.
 7. Insert Wall anchors (10) inside the holes.
 8. Attach Corner mounting bracket to the wall using screws (12) with stainless steel washers (11).
- Rest of installation is the same as flat wall mounting.

Please, make sure that none of the hoses are bent or kinked after final installation. Check water connections for proper flow; make sure there is no leakage.

Our product may have changes without prior notice

For the latest manual version, please, check online www.bathauthority.com

DREAMLINE™ LIMITED WARRANTY

This is Bath Authority LLC's ("DreamLine™") exclusive written warranty effective April 2, 2012

This warranty extends only to the original owner/end-user for household use only and is not transferable to a subsequent owner. This warranty applies only to DreamLine™ products purchased from an authorized dealer and installed in United States or Canada. Proof of purchase (original sales receipt) must be provided with all warranty claims. **In no event shall the liability of DreamLine™ exceed the purchase price of the unit.**

If DreamLine™ shower & tub doors, shower enclosures and shower bases are used commercially, DreamLine™ warrants such products to be free from defects in material and workmanship for one (1) year from initial date of purchase from an authorized dealer, with all other terms of this warranty applying except duration. If DreamLine™ vanities, vessel sinks and shower columns are used commercially, DreamLine™ warrants such products to be free from defects in material and workmanship for three (3) months from initial date of purchase from an authorized dealer, with all other terms of this warranty applying except duration. **DreamLine™ Jetted and Steam Shower Cabins are not intended for commercial use and there is no warranty extended for these products for commercial use.**

DreamLine™ hereby disclaims all warranties for products sold as dealer or store displays. DreamLine™ hereby disclaims all warranties for products used outside of the United States or Canada whether expressed or implied, including but not limited to the implied warranties of merchantability and fitness for a particular purpose.

DreamLine™ will, at its election, repair, replace with product of equal value or make appropriate adjustment where DreamLine's analysis or inspection of warranty claim discloses any such defects occurring in normal usage within the warranty period. DreamLine warranty obligation shall be discharged upon tender of replacement or repair. Purchaser's refusal to accept the tender terminates warranty obligation.

Cost of freight for returning products to DreamLine™ for repairs or replacement under this limited warranty are the responsibility of the customer. Cost of freight associated with shipping of replacement product or parts to the customer may be charged to customer. Any product replaced or repaired during the warranty period will be covered only for the remaining period of the original warranty. In no event will DreamLine be liable for costs of repair or replacement of any installation material, including but not limited to tiles, marble, etc. **DreamLine™ is not responsible for installation, removal or reinstallation costs of any product requiring warranty services.**

Improper modification or alteration of any DreamLine™ products will void the warranty. DreamLine product installations and repairs must be performed by either a DreamLine authorized agent or a licensed experienced professional contractor - installation or repairs performed by any other party shall void the warranty. This warranty shall not apply to breakage or damages caused by normal wear and tear, fault, carelessness, abuse, misuse, misapplication, improper maintenance, alteration or modification of the unit, as well as chemical or natural corrosion, accident, fire, flood, act of God or any other casualty. Improper care and cleaning will void the warranty. Use of cleaners containing abrasive cleansers, ammonia, bleach, acids, waxes, alcohol, solvents or other products not recommended for chrome or similar finish, glass or acrylic will void the warranty. For additional product maintenance instructions please refer to product installation manual. DreamLine™ is not responsible for any issues arising in connection with errors or omissions in information provided on DreamLine's websites. The warranty does not extend to any non-DreamLine™ plumbing or components installed by installers, end users or by any party other than DreamLine™.

THE FOREGOING WARRANTIES ARE IN LIEU OF ALL OTHER WARRANTIES, EXPRESSED OR IMPLIED, INCLUDING BUT NOT LIMITED TO THE IMPLIED WARRANTIES OF MERCHANTABILITY AND FITNESS FOR A PARTICULAR PURPOSE. BATH AUTHORITY LLC ("DREAMLINE™") AND/OR SELLER DISCLAIM ALL LIABILITY FOR SPECIAL, INCIDENTAL OR CONSEQUENTIAL DAMAGES. DREAMLINE™ IS NOT LIABLE FOR PERSONAL INJURIES OR DEATH TO ANY PERSON OR FOR ANY DIRECT, SPECIAL, INCIDENTAL OR CONSEQUENTIAL DAMAGE, LOSS OF USE, LOSS OF TIME, LOSS OF PROFITS, INCONVENIENCE, INCIDENTAL EXPENSES, LABOR OR MATERIAL CHARGES, OR ANY OTHER COSTS RESULTING FROM THE USE OF ITS PRODUCTS OR PERTAINING TO THE APPLICATION OF THE PRESENT WARRANTY, OR RESULTING FROM THE REMOVAL OR REPLACEMENT OF ANY PRODUCT OR ELEMENT OR PART COVERED BY THIS WARRANTY.

DreamLine™ is not responsible for product code compliance or for verifying building code restrictions on installation or use and any such compliance is excluded from this warranty. DreamLine™ reserves the right to modify this warranty at any time - such warranty modification will not alter warranty applicable at the time of sale of the products in question. The warranty terms for specific products are:

SHOWER & TUB DOORS, SHOWER ENCLOSURES AND SHOWER BASES

DreamLine™ warrants shower & tub doors, shower enclosures and shower bases to be free from defects in workmanship and materials under normal residential use for a period of five (5) years from the initial date of purchase by the owner/end-user, contractor or builder from an authorized dealer.

SHOWER CABINS (JETTED & STEAM)

DreamLine™ warrants glass, acrylic and finish to be free from defects in workmanship for a period of five (5) years from initial date of purchase by the owner/end-user, contractor or builder from an authorized dealer; and plumbing, electrical and steam generator components for a period of one (1) year from the initial date of purchase by the owner/end-user, contractor or builder from an authorized dealer.

SHOWER COLUMNS

DreamLine™ warrants shower columns to be free from defects in workmanship and materials under normal residential use for a period of one (1) year from the initial date of purchase by the owner/end-user, contractor or builder from an authorized dealer.

VANITIES AND VESSEL SINKS

DreamLine™ warrants bathroom vanities and vessel sinks to be free from defects in workmanship and materials under normal residential use for a period of one (1) year from the initial date of purchase by the owner/end-user, contractor or builder from an authorized dealer.

Some states/provinces do not allow limitations on how long an implied warranty lasts, or the exclusion or limitation of special, incidental or consequential damages, so these limitations and exclusions may not apply to you. This warranty gives you specific legal rights. You may also have other rights, which vary from state/province to state/province.