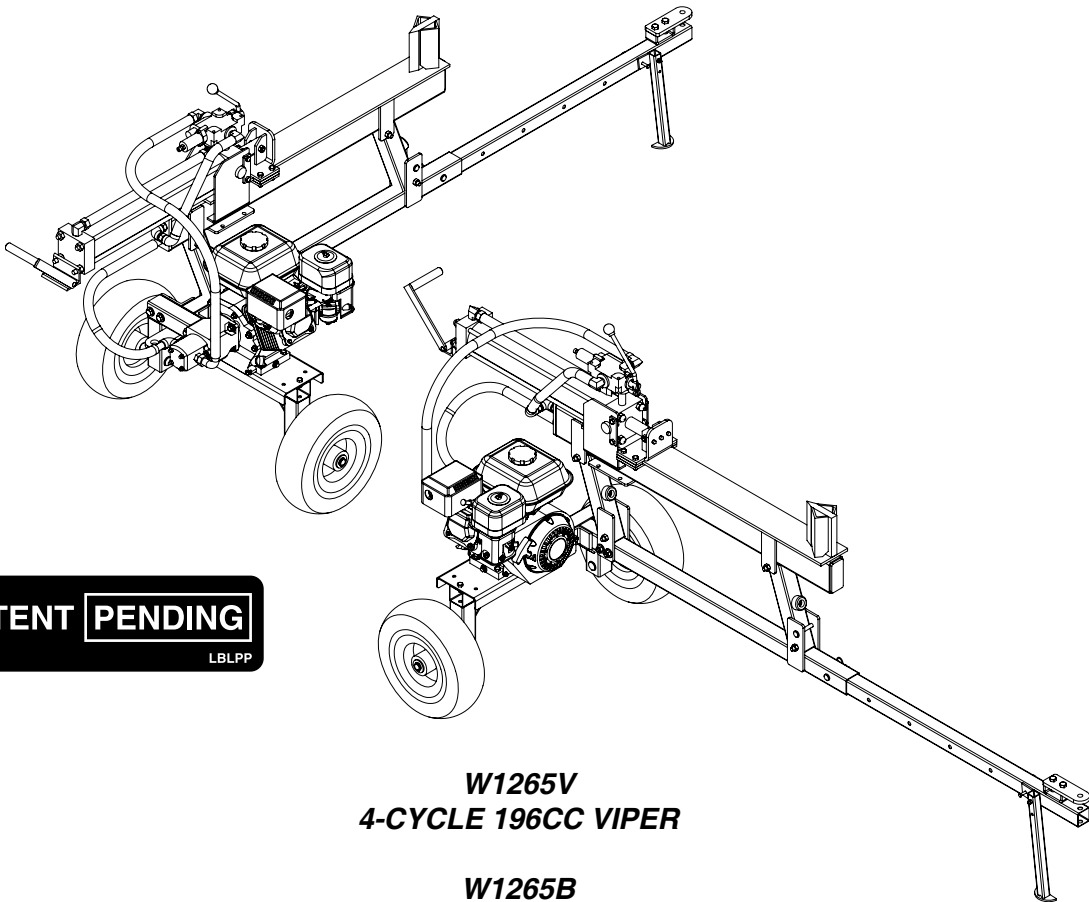


# Earthquake®

## TRAIL WARRIOR QUICK SPLIT 12 TON LOG SPLITTER OPERATORS MANUAL



**PATENT PENDING**

LBLPP

**W1265V  
4-CYCLE 196CC VIPER**

**W1265B  
4-CYCLE 205CC BRIGGS & STRATTON**

 **Parts Online**  
**GetEarthquake.com**

OMW1265V  
Rev. 12/09/08  
© 2008 Ardisam, Inc.  
All Rights Reserved. Printed in USA.

# **THANK YOU AND CONGRATULATIONS!**

on your purchase of a new **EARTHQUAKE® TRAIL WARRIOR LOG SPLITTER** from Ardisam, Inc. We have worked to ensure that your Earthquake Trail Warrior Log Splitter will be one of the most trouble-free and satisfying pieces of equipment you have ever owned. With proper care, your log splitter will provide many years of service. Please take the time to read this manual carefully to learn how to correctly operate and maintain your equipment.

## **CONTENTS**

Registration .....	3
Introduction .....	3
Specifications .....	3
General Safety Rules .....	4
Safety Decals .....	6
Set-up & Operating Instructions .....	7
Troubleshooting .....	19
Parts Diagrams & Parts Lists.....	20
Warranty .....	24

## REGISTRATION

Record your model number and serial number in the space provided for easy reference. Fill out and mail the registration card located in your parts packet. Warranty is valid only if the completed registration card is received by Ardisam, Inc., within 30 days of purchase.

Model Number	W1265V or W1265B
Serial Number	
Engine Serial Number	
Date of Purchase	
Place of Purchase	

## INTRODUCTION

### OWNER'S RESPONSIBILITY

Accurate assembly and safe and effective use of the log splitter is the owner's responsibility.

- Read and follow all safety instructions.
- Carefully follow all assembly instructions.
- Maintain the log splitter according to directions and schedule included in this Earthquake operator's manual.
- Ensure that anyone who uses the log splitter is familiar with all controls and safety precautions.

## SPECIFICATIONS

	W1265V	W1265B
<b>ENGINE DISPLACEMENT</b>	196cc Viper	205cc Briggs & Stratton*
<b>FUEL TANK CAPACITY</b>	3.5 US quarts Viper	3.0 US quarts Briggs & Stratton
<b>GAS TYPE</b>	unleaded regular gas	unleaded regular gas
<b>SPARK PLUG</b>	Champion RN7YC NGK BPR7ES, Viper	Champion RC12YC, Briggs & Stratton
<b>SPARK PLUG GAP</b>	.028	.028
<b>MAXIMUM SPLITTING FORCE</b>	12 tons	12 tons
<b>MAXIMUM LOG LENGTH</b>	21 inches	21 inches
<b>HYDRAULIC OIL CAPACITY</b>	6 quarts 10W hydraulic or Dexron transmission fluid	6 quarts 10W hydraulic or Dexron transmission fluid
<b>WEDGE</b>	7 inches high	7 inches high
<b>HITCH</b>	pin style	pin style
<b>TANDEM HITCH</b>	pin or ball style (ball hitch not included)	pin or ball style (ball hitch not included)
<b>WEIGHT OF UNIT</b>	221 lbs	221 lbs.
<b>UNIT SIZE L x W x H (inches)</b>	82.5" x 33" x 32"	82.5" x 33" x 32"
* Briggs & Stratton Engine Model: 121212, Engine Type: 0133-B8		

## GENERAL SAFETY INSTRUCTIONS

### SAFETY INSTRUCTIONS:

- Before operating this log splitter, carefully read this manual and follow all instructions.
- Do not allow anyone to operate your log splitter who has not read this manual.
- Never operate your log splitter for any other purpose than splitting wood.
- Do not operate the log splitter under the influence of alcohol, drugs or medication.
- Never allow children to operate the log splitter. Keep small children away from the work area.
- If a second person is assisting in loading logs, never activate the log splitter until the helper is clear of the work area.

### PREPARATION:

- Dress appropriately when operating the log splitter. Always wear safety footwear. Never wear sandals, sneakers, or open shoes, and never operate the log splitter with bare feet. Do not wear loose clothing or jewelry that might get caught in moving parts.
- Always wear safety glasses while operating your log splitter. Wear proper head gear to keep hair away from moving parts.
- Always wear a protective hearing device.
- If you wear gloves, be sure they are tight fitting without loose cuffs or draw strings.
- Both ends of each log should be cut as square as possible to help prevent the log from sliding out of the splitter during operation.
- Handle fuel with care; it is highly flammable.
  - a. Use an approved fuel container.
  - b. Never add fuel to a running engine or hot engine.
  - c. Fill fuel tank outdoors with extreme care. Never fill fuel tank indoors.
  - d. Replace gasoline cap securely and clean up spilled fuel before restarting.
- Never attempt to make any adjustments to the log splitter while the engine is running.

### OPERATION:

- Never operate the log splitter without guards in place.
- Only operate the log splitter from the operator zone.
- Know how to stop the unit and disengage the controls.
- Never place hands and/or feet between log and splitting wedge or between log and ram during forward or reverse stroke.
- Do not step over or straddle the log splitter when the engine is running. Never reach or bend over the log splitter to pick up a log.
- Never try to split more than one log at the same time.
- Never allow one person to operate the valve while another is positioning the log.
- Never attempt to load your log splitter when the cylinder wedge is in motion.
- Only use your hand to operate the control lever. Never use your foot or a rope or any other extension device.
- Always keep fingers away from any cracks that open in the log during splitting operation.
- Never move the log splitter while the engine is running.
- Never leave your log splitter unattended with the engine running. Shut off the engine if you are leaving your splitter--even for a short period of time.
- Do not run the engine in an enclosed area. Exhaust gases contain carbon monoxide. This odorless gas can be deadly when inhaled.
- Do not operate your log splitter on slippery, wet, muddy, or icy surfaces.
- Only operate your log splitter on level ground and not on a hillside.
- Never attempt to move the log splitter over hilly or uneven terrain without a tow vehicle or adequate help.
- Always block wheels to prevent movement of log splitter while in operation.
- Keep work area clear of tools, logs and any other debris.
- Always use your log splitter in daylight.

### REPAIR AND MAINTENANCE SAFETY:

- Do not operate your log splitter in poor mechanical condition or when in need of repair.
- Periodically check that all nuts, bolts, and screws are tightened.
- Always perform recommended maintenance procedures before using your log splitter.
- Do not alter your log splitter in any manner such as attaching a rope or extension to the control lever or adding to the width or height of the wedge.
- Replace all damaged or worn parts immediately.
- Never tamper with the engine in order to operate at excessive speeds. The maximum engine speed is preset by the manufacturer.
- Do not service or repair your log splitter without disconnecting the spark plug wire from the spark plug.
- All replacement parts must meet manufacturer's specifications.

### FIRE PREVENTION:

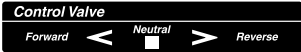
- Never operate your log splitter near a flame or spark. Hydraulic oil and gasoline are flammable and can explode.
- Do not fill the gas tank while the engine is hot or running. Allow the engine to cool before refueling.
- Never smoke while operating or refueling your log splitter. Gas fumes can easily explode.
- Only refuel your log splitter outdoors in a clear area. Always use an approved fuel container. Always replace the gas cap securely.
- If gas is spilled, move machine away from the area of the spill and avoid creating any source of ignition until the spilled gas has evaporated or been cleaned up.
- Keep a Class B fire extinguisher nearby when operating your log splitter in dry areas as a precautionary measure against possible flying sparks.
- Completely drain the fuel tank prior to storage. Do not siphon by mouth.
- Always store gasoline in an approved, tightly sealed container. Store the container in a cool, dry place. Do not store indoors or near a heating appliance.

### HYDRAULIC SAFETY:

- The hydraulic system and mechanical parts of your log splitter require careful inspection. Be sure to replace any damaged hydraulic component.
- Fluid escaping from a very small hole can be very difficult to see. Do not check for leaks with your hand. Escaping fluid under pressure can have sufficient force to penetrate skin, causing serious personal injury or even death. Leaks can be located by passing a piece of cardboard or wood over the suspected leak. Look for discoloration.
- If injured by escaping fluid, see a doctor at once. Serious infection or reaction can develop if proper medical treatment is not administered immediately.
- Should it become necessary to loosen or remove any hydraulic fitting or line, be sure to relieve all pressure by shutting off the engine and moving the control handle back and forth several times.
- The pressure relief valve on your log splitter is preset at the factory. Do not adjust the valve. Only a qualified service technician should perform this adjustment.

### SAFETY DECALS

QUICK-SPLIT 12 OPERATING INSTRUCTIONS		⚠ WARNING	⚠ CAUTION
<ol style="list-style-type: none"> <li>1. Read Owner/Operator manual for complete instructions.</li> <li>2. Start engine using instructions from engine manual. Advance throttle control to maximum speed.</li> </ol>	<ol style="list-style-type: none"> <li>3. Grab log by sides and place onto beam, against base plate.</li> <li>4. If necessary, stabilize log by holding the side, never the end.</li> <li>5. Move control handle to FORWARD position to extend cylinder.</li> <li>6. Release handle to STOP the cylinder.</li> <li>7. Move control handle to REVERSE position to retract cylinder.</li> </ol>	<ul style="list-style-type: none"> <li>Keep hands and all body parts away from splitting wedge, base plate, partially split wood, and moving parts.</li> <li>Hold logs by the sides, not the ends.</li> <li>Only one person is permitted to stabilize logs and operate the controls.</li> <li>Do not check for oil leaks with your hand. Use a cloth. High pressure hydraulic fluid can penetrate your skin, causing blood poisoning.</li> <li>Never operate log splitter under the influence of alcohol or drugs.</li> </ul>	<ul style="list-style-type: none"> <li>Read Owner/Operator manual completely.</li> <li>Operate log splitter on flat, dry ground.</li> <li>NO ONE under age 18 is allowed to operate log splitter.</li> <li>Keep bystanders, children, and helpers at least 25 ft. away.</li> <li>Wear safety glasses, tight fitting work gloves, and safety shoes.</li> </ul>



Part Number: LBLW1265VM  
Description: Ram Safety Decal  
Location: Back of Hydraulic Reservoir

QUICK-SPLIT 12 OPERATING INSTRUCTIONS	
<ol style="list-style-type: none"> <li>1. Read Owner/Operator manual for complete instructions.</li> <li>2. Start engine using instructions from engine manual. Advance throttle control to maximum speed.</li> </ol>	<ol style="list-style-type: none"> <li>3. Grab log by sides and place onto beam, against base plate.</li> <li>4. If necessary, stabilize log by holding the side, never the end.</li> <li>5. Move control handle to FORWARD position to extend cylinder.</li> <li>6. Release handle to STOP the cylinder.</li> <li>7. Move control handle to REVERSE position to retract cylinder.</li> </ol>



⚠ WARNING	⚠ CAUTION
<ul style="list-style-type: none"> <li>Keep hands and all body parts away from splitting wedge, base plate, partially split wood, and moving parts.</li> <li>Hold logs by the sides, not the ends.</li> <li>Only one person is permitted to stabilize logs and operate the controls.</li> <li>Do not check for oil leaks with your hand. Use a cloth. High pressure hydraulic fluid can penetrate your skin, causing blood poisoning.</li> <li>Never operate log splitter under the influence of alcohol or drugs.</li> </ul>	<ul style="list-style-type: none"> <li>Read Owner/Operator manual completely.</li> <li>Operate log splitter on flat, dry ground.</li> <li>NO ONE under age 18 is allowed to operate log splitter.</li> <li>Keep bystanders, children, and helpers at least 25 ft. away.</li> <li>Wear safety glasses, tight fitting work gloves, and safety shoes.</li> </ul>

<b>NOTICE</b>
<b>Off-Road Towing Use Only Do Not Exceed 15 MPH</b>
LBLW1265VOR

Part Number: W1265VOR  
Description: Off Road Decal  
Location: Tongue

	<b>⚠ CAUTION</b>
	<b>Pinch Point</b> Fingers or toes may be broken Keep hands and feet away
	LBLW1265VPP

Part Number: LBLW1265VPP  
Description: Pinch Point Warning Decal  
Location: Beam

<b>⚠ WARNING</b>
<b>Tongue Weight</b> Do Not Exceed 100 lbs.
LBLW1265VT

Part Number: LBLW1265VT  
Description: Tongue Weight 100 lbs. Decal  
Location: Tongue

	<b>⚠ CAUTION</b>
	<b>Pinch Point</b> Fingers or toes may be broken Keep hands and feet away

<b>⚠ WARNING</b>
<b>Do Not Extend Tongue Past Capacity</b> See Owners Manual
LBLW1265VTEL

Part Number: LBLW1265VTEL  
Description: Telescopic Pinch Point Tongue Warning Decal  
Location: Tongue

### SET-UP & OPERATING INSTRUCTIONS

Tools needed - one 16mm combination wrench, one 17mm combination wrench, two 13mm wrenches, one flat screwdriver, one pair of pliers, one 10" adjustable wrench, one snap ring tool, one pipe wrench and one rubber mallet.

**NOTE:** Each log splitter was partially assembled at the factory. Refer to the parts diagram for detailed assembly.

1. Remove locking pin from outer telescopic tongue axle assembly. Lock front upright in the up position with locking pin already installed in upright. SEE FIGURE 1.
2. Slide inner hitch assy. into outer telescopic tongue/axle assy. Replace locking pin in 3<sup>rd</sup> hole. SEE FIGURE 2.

### SET-UP & OPERATING

#### WARNING

**READ AND UNDERSTAND ALL ASSEMBLY, SAFETY, & MAINTENANCE INSTRUCTIONS PROVIDED BEFORE EACH USE.**

**BECOME FAMILIAR WITH YOUR LOG SPLITTER FOR YOUR OWN SAFETY. FAILURE TO DO SO MAY CAUSE SERIOUS INJURY AND/OR DEATH.**

**DO NOT ALLOW ANYONE TO OPERATE YOUR LOG SPLITTER WHO HAS NOT READ THIS MANUAL. READ EACH STEP COMPLETELY BEFORE PROCEEDING.**

**ALWAYS WEAR SAFETY GLASSES DURING OPERATION.**

**ALWAYS WEAR STEEL TOE BOOTS DURING ASSEMBLY.**

**DO NOT START OR RUN THE ENGINE WITHOUT OIL IN THE HYDRAULIC RESERVOIR AND ENGINE.**

FIGURE 1

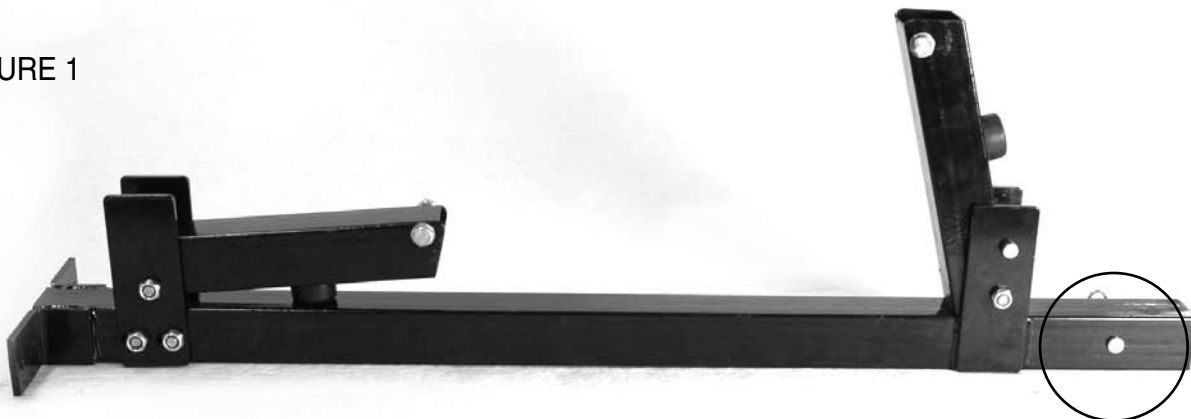
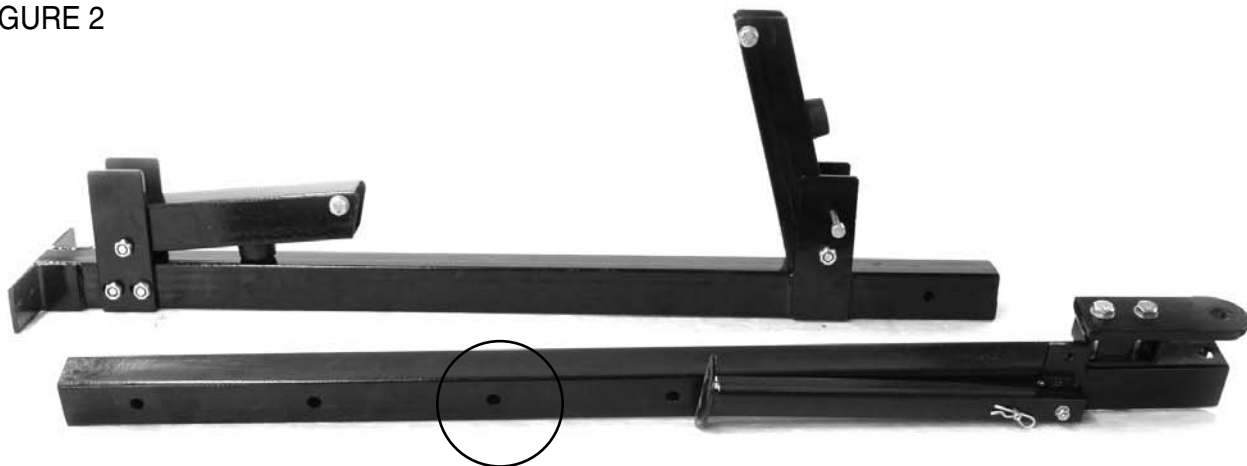


FIGURE 2



### INSTRUCTIONS (CONT.)

3. Mount axle assy. to telescopic tongue. Assemble using (4) bolts - 76mm in length and locknuts. Tighten with 16mm and 17mm wrenches. SEE FIGURE 3.

**NOTE:** Make sure bolt is installed through spacer on outside bolt. There is only one spacer per unit. SEE FIGURE 4.

FIGURE 3

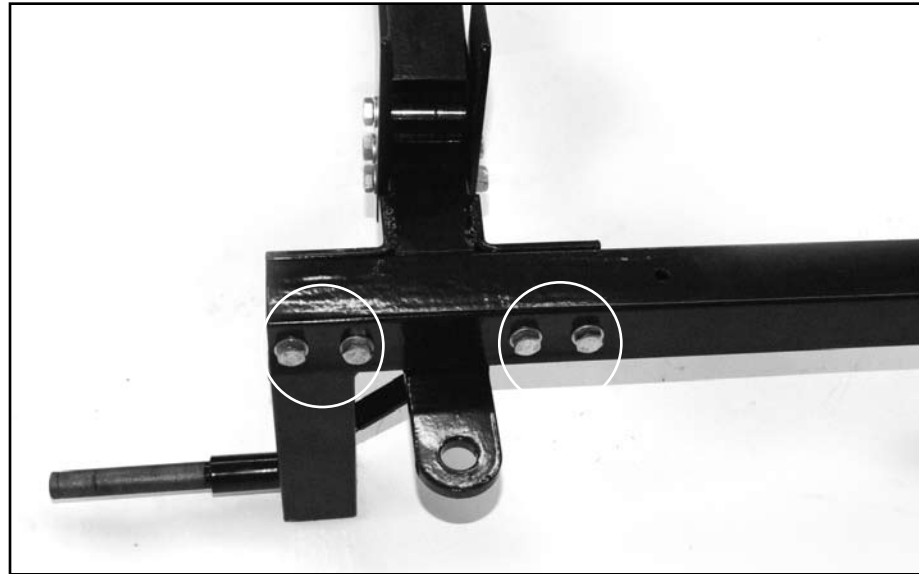


FIGURE 4





### SET-UP & OPERATING INSTRUCTIONS (CONT.)

4. Mount ram/beam assembly onto uprights using 82mm bolts. Tighten, but do not over tighten the lock nut as the ram/beam assy will use the bolt as a hinge.

**Note:** Holes in rear upright are elongated to assist in lining up the upright holes during assembly. Tighten these fasteners securely. SEE FIGURE 5.

5. Place wheel onto axle, valve stem out. Place washer onto axle and secure with snap ring. Repeat for the other axle. SEE FIGURE 6.
6. Attach engine assembly with (1) each of 70mm bolt and 25mm bolt to axle assembly. Tighten locknuts using 13mm wrenches.

FIGURE 5

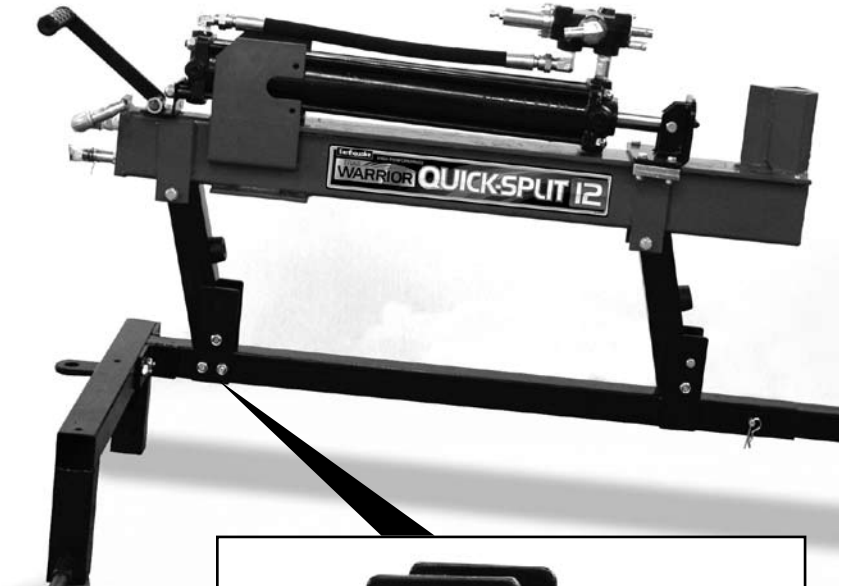
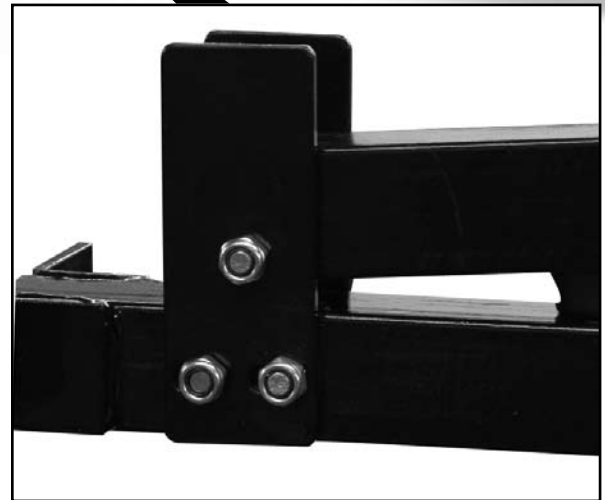


FIGURE 6



### SET-UP & OPERATING INSTRUCTIONS (CONT.)

7. Slide ram assy. to rear bracket and attach with (4) 25mm bolts, lock-nuts and retainers. SEE FIGURE 7.
8. Install hydraulic valve control lever. Secure with pin and cotter key. SEE FIGURE 8.

FIGURE 7

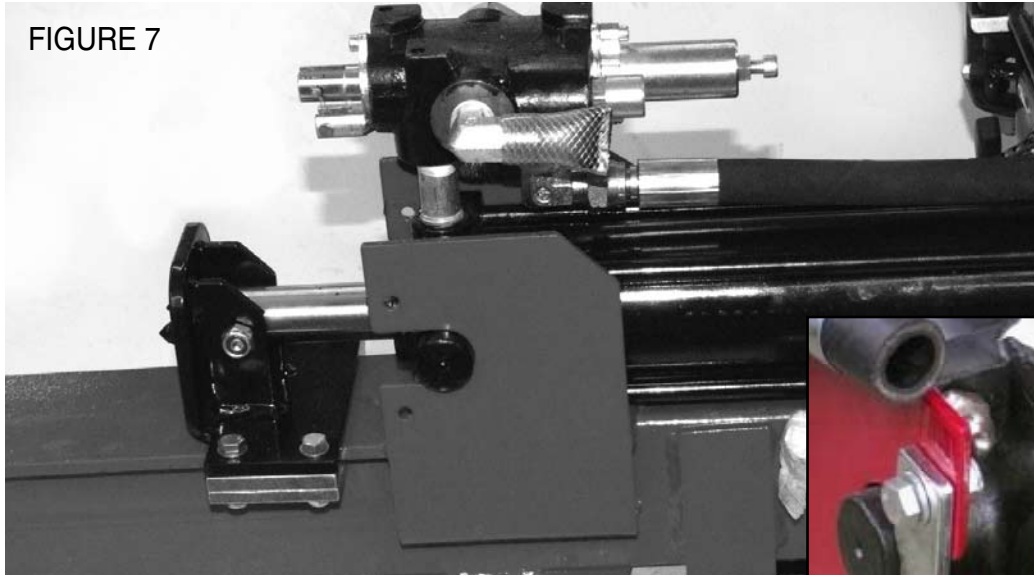
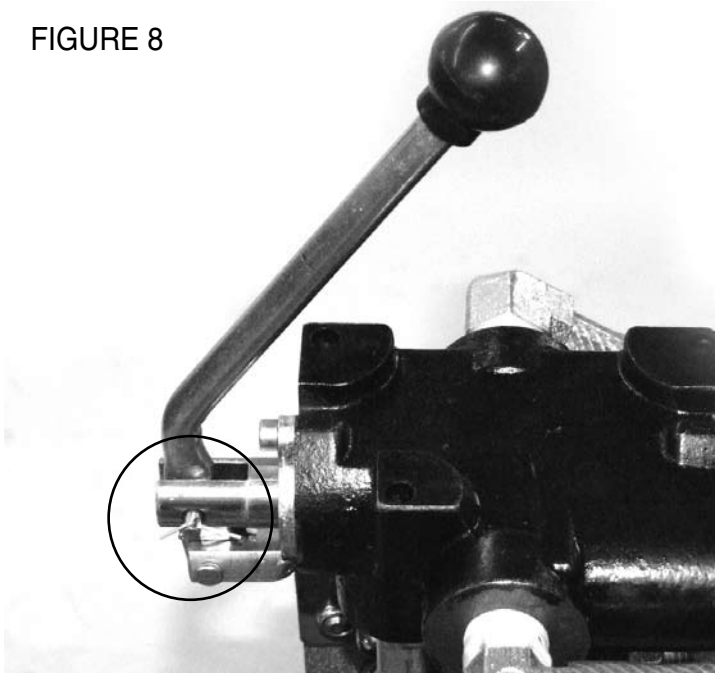


FIGURE 8



9. Install high pressure hydraulic hose to pump/engine assembly & hydraulic valve assembly. Swivel end of hose goes on pump.

**Notice the approximate 12 o'clock position of hydraulic fitting. SEE FIGURE 10.**

**TIP: Jiggle the fitting while tightening to ensure proper seating of the fitting.**

10. Install hydraulic return line on pump and tank assy. Slide hose onto hose barb until snug and tighten with hose clamp. SEE FIGURES 10 AND 11.
11. See Hydraulic Filling instructions on page 14.

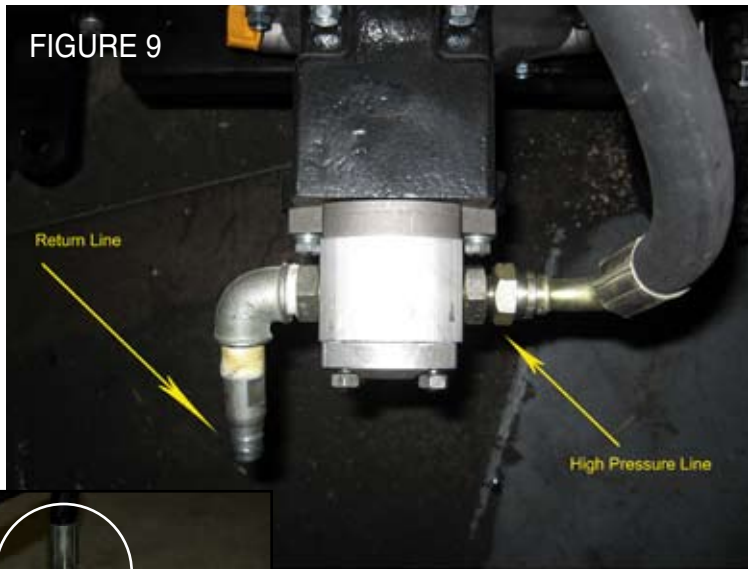


FIGURE 10



FIGURE 11



### ALTERNATE ASSEMBLY

Your log splitter can be assembled without the telescopic tongue assembly for even greater portability depending on your specific needs. Follow the alternate instructions to assemble your splitter in this manner.

1. Remove fasteners holding engine from base plate and remove engine. Set aside fasteners for later use.
2. Mount engine base plate to ram/beam assembly using grade 5 (or greater) fasteners (**not included in hardware package**).

**Notice the positioning of the base plate and hole configuration. SEE FIGURES 1 & 2.**

3. Remount engine to predrilled holes in base plate using the fasteners that were previously removed. SEE FIGURE 3.
4. Install hydraulic valve control lever. Secure with pin and cotter key. SEE FIGURE 4.

### CAUTION

**ALWAYS WEAR SAFETY GLASSES DURING OPERATION.**  
**DO NOT START OR RUN THE ENGINE WITHOUT OIL IN THE HYDRAULIC RESERVOIR AND ENGINE.**

5. Install high pressure hydraulic hose to pump/engine assembly and hydraulic valve assembly. Swivel end of hose goes on pump. SEE FIGURE 5.

**TIP: Jiggle the fitting while tightening to ensure that the fitting seats properly.**

6. Install hydraulic return line. Tighten with hose clamps. SEE FIGURE 6.
7. See Hydraulic Filling instructions on page 14.

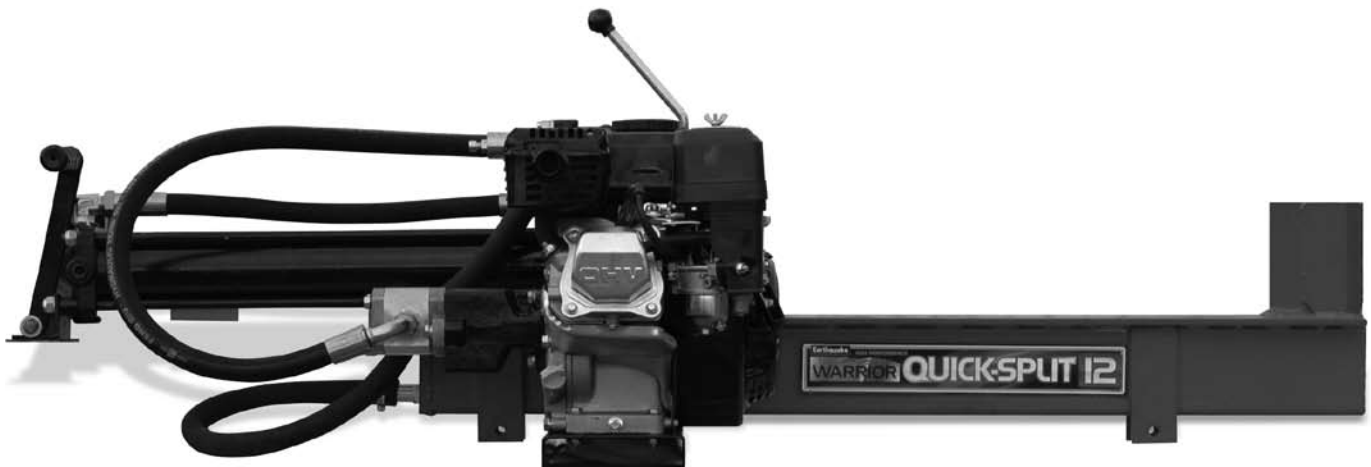


FIGURE 1

FIGURE 2

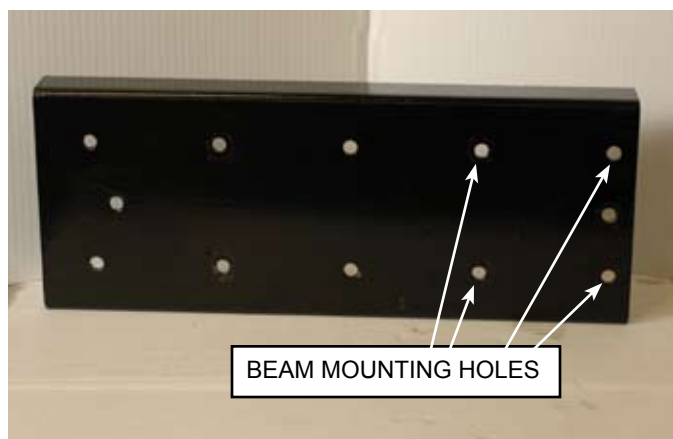


FIGURE 3



FIGURE 4



FIGURE 5

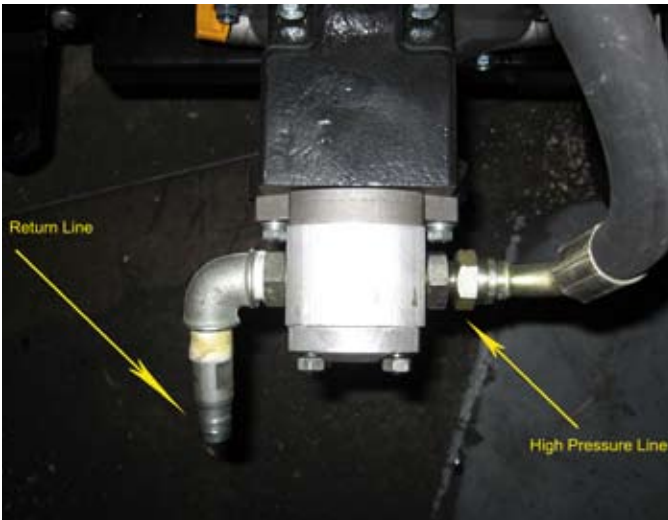


FIGURE 6



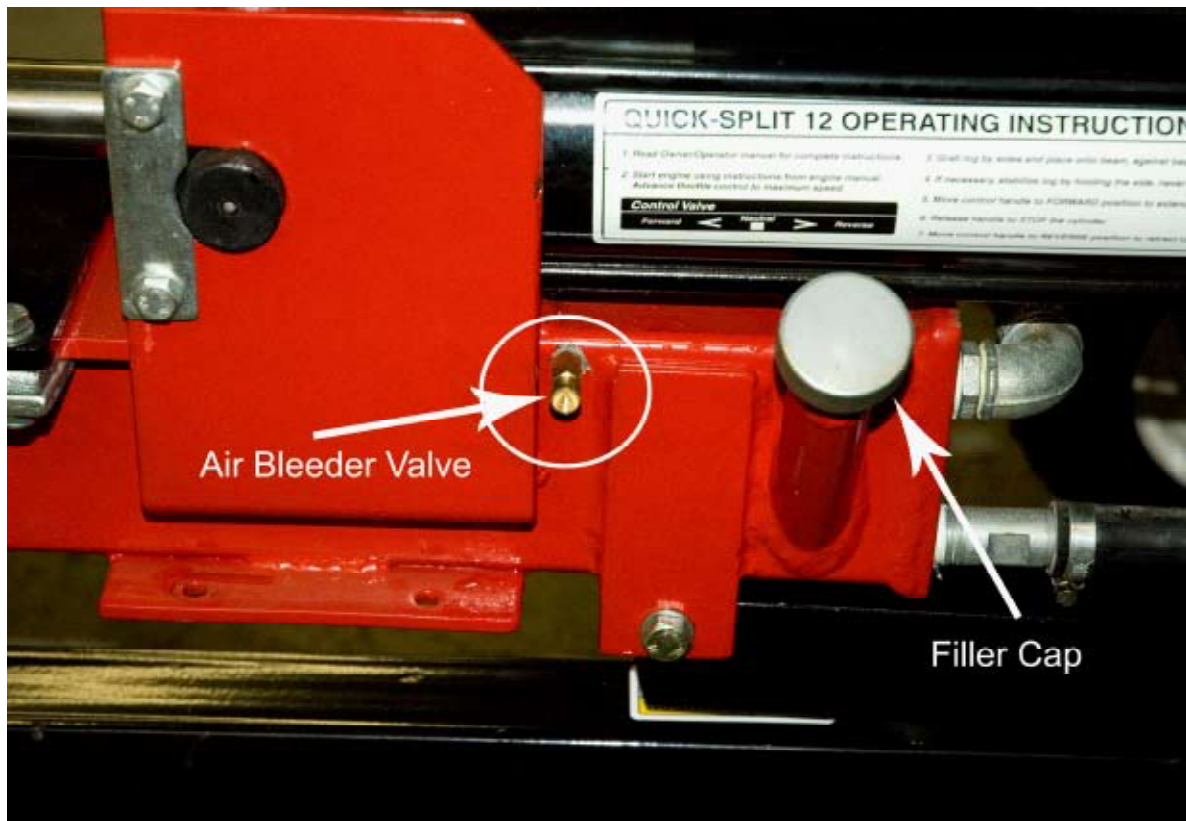
### HYDRAULIC FILLING INSTRUCTIONS:

1. Open the air bleeder valve by turning counter clockwise approximately four turns. Failure to open vent will cause "air locking", making filling of the hydraulic tank reservoir difficult. SEE FIGURE 1.
2. Remove filler cap. SEE FIGURE 1.
3. Using a funnel in the fill spout pour 3 quarts of SAE10 hydraulic oil. If hydraulic oil is difficult to obtain, automatic transmission fluid can be substituted. **DO NOT mix hydraulic oil and transmission fluid.**
4. Start Engine (see instructions in manual).

### WARNING

PLEASE FOLLOW INSTRUCTIONS TO FILL YOUR TRAIL WARRIOR LOG SPLITTER. FAILURE TO DO SO MAY RESULT IN UNSATISFACTORY OPERATION. AN IMPROPERLY FILLED HYDRAULIC SYSTEM MAY CREATE CAVITATIONS OF THE HYDRAULIC CYLINDER AND OVERALL POOR PERFORMANCE OR MAY CAUSE DAMAGE TO YOUR TRAIL WARRIOR LOG SPLITTER.

FIGURE 1



5. Move control lever forward to extend the hydraulic cylinder all the way. (It is normal for the cylinder to not move smoothly as it purges the air from the system.) SEE FIGURE 2.
6. Move control lever to the return position until ram is retracted fully.
7. Turn off engine.
8. With cylinder in the return position with the air bleeder valve still in the open position, open the filler cap very slowly to allow any air to escape that may have been trapped in the reservoir during the initial filling procedure.
9. Top off the reservoir by adding up to 3 more quarts of hydraulic fluid.

**NOTE:** Some units may not take the complete 3 quarts as they were filled and tested at the factory prior to shipment and some residual fluid still remains in the hydraulic system.

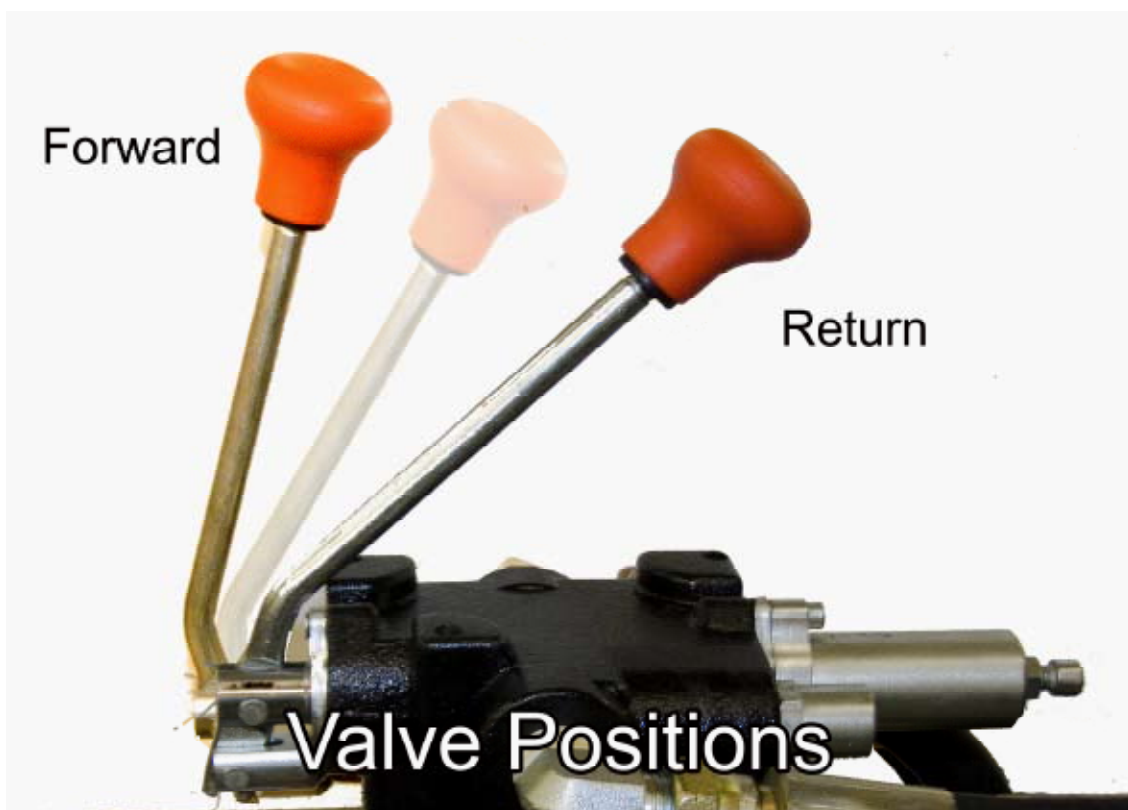
Your Trail Warrior is now properly filled and ready for use. You have the correct amount of fluid in the reservoir when you can see the fluid at least halfway up the fill spout.

Once the log splitter is filled with fluid you can close the air bleeder valve by turning it all the way clockwise.

**TIP:** If your ram still does not travel smoothly, there may still be air in the hydraulic system or your fluid level is too low. If this is the case, with the engine turned off and the filler cap on, open your air bleeder valve and move the hydraulic control valve from the forward to return position a few times to purge any air that may be trapped in the hydraulic system.

**NOTE:** Doing this procedure with the filler cap removed will cause any air that is in the system to expel through the filler spout. Check for proper fluid level.

FIGURE 2



### STARTING:

**IMPORTANT: THE ENGINE AND HYDRAULIC RESERVOIR ARE SHIPPED WITHOUT OIL. SEE THE ENGINE OPERATOR'S MANUAL PACKED WITH YOUR LOG SPLITTER FOR THE TYPE OF CRANK-CASE OIL, FUEL, ETC. THE ENGINE MANUFACTURER RECOMMENDS LEAD-FREE GASOLINE ONLY.**

1. The hydraulic reservoir should be filled with an SAE 10 hydraulic oil. If hydraulic oil is difficult to obtain, automatic transmission fluid can be substituted. Use only clean oil and take care to prevent dirt from entering the hydraulic reservoir. **DO NOT mix hydraulic oil and transmission fluid.**

### ENGINE OIL RECOMMENDATIONS:

1. Refer to Engine Operator's Manual for further information.

### STARTING INSTRUCTIONS:

1. Turn fuel valve to "ON" position
2. Move the throttle lever to "FAST". Always operate the engine with throttle lever in the "FAST" position.
3. Move choke control lever to "CHOKE" position.
4. Grasp rope handle and pull slowly until resistance is felt. Then pull rapidly to start engine and avoid engine kickback.
5. Allow the engine to warm up. If operating in warm weather, move the choke control lever toward "RUN" in small increments over several seconds. For cold weather operation do this procedure over several minutes. Operate with choke lever in the "RUN" position.
6. To stop engine, move the throttle lever to the "SLOW" position.

**NOTE: The maximum governed speed on the engine is preset at the factory to 3600 RPM no load speed. When splitting wood, the throttle should be set at the maximum setting to develop the horsepower required for the pump.**

7. Turn switch to "OFF" position

**NOTE: On the Viper engine, the switch is located on the side of the engine near the log splitter tank assy.**

### USING YOUR W1265V LOG SPLITTER:

Your log splitter can be used on or off the telescopic tongue assembly depending on which assembly configuration you choose to use. (See assembly instructions located in rear of this manual.)

For your convenience the ram/beam assembly can be elevated, which may be a more comfortable working position in some cases. To raise the beam/ram assembly, simply place one foot on the axle and pull with an upward and back motion. Once the ram/beam is elevated, be sure to lock the beam into position with locking pin.





### TOWING:

1. The W1265V is designed for **OFF ROAD USE ONLY**. It is designed to be pulled behind a lawn tractor, garden tractor or ATV only. **DO NOT exceed 15 mph when towing the W1265V log splitter.**
2. The log splitter is equipped with a telescopic tongue which is designed to extend to accommodate ATV racks, extensions, or anything currently protruding from back of an ATV. **DO NOT over extend the telescopic tongue as personal injury may result.** SEE FIGURE 1.
3. Your log splitter is equipped with a tandem hitch which allows you to tow an off road ATV/garden type trailer etc. at the same time. **DO NOT exceed 100 lbs. tongue weight.** SEE FIGURE 2.
4. Make sure the beam is in the lowest position (Transport Position) and the locking pin is securely attached before towing your log splitter.
5. Your log splitter can be used on or off the telescopic tongue assembly depending on which assembly configuration you choose to use. (See set-up instructions located preceding this section.)

### WARNING

**ALWAYS WEAR SAFETY GLASSES DURING OPERATION.**

**KEEP HANDS AND FEET CLEAR OF RAM, STRIPPER CHANNELS AND FOOT PLATE AT ALL TIMES.**

**DO NOT OPERATE LOG SPLITTER IF THE OIL LEVEL IS MORE THAN TWO INCHES FROM TOP OF TANK WHEN THE WEDGE IS IN THE RETURNED POSITION.**

6. For your convenience the ram/beam assembly can be elevated, providing more comfort in certain situations. To raise the beam/ram assembly, pull lock pin first then replace when up. Place one foot on the axle and pull with an upward and back motion. Once the ram/beam is elevated be sure to lock the beam into position with locking pin.

FIGURE 1



FIGURE 2



### TRANSPORT POSITION



### NON TRANSPORT POSITION



#### OPERATION:

1. Set up the log splitter on a clear, level area and block the wheels.
2. Place a log on the beam against the foot plate. Make sure that the log is placed securely on the foot plate and against the beam.
3. Depress the control valve handle so that the cylinder will drive the log into the wedge. Extend the cylinder until the log splits or travels to the end of its stroke. If the log has not completely split after the cylinder has reached the end of its extension, retract the cylinder.

**IMPORTANT: LEAVING THE VALVE IN THE "ACTUATE" POSITION AT THE END OF THE STROKE MAY DAMAGE THE PUMP. ALWAYS USE EXTRA CARE WHEN SPLITTING LOGS WITH ENDS NOT SQUARE.**

**NOTE:** For operation in wooded areas, obtain a spark arrestor for the exhaust system from the manufacturer of your engine. See also Fire Prevention in the Safety information section of this manual.

**IMPORTANT: TO EXTEND THE LIFE OF THE HYDRAULIC CYLINDER, AVOID "BOTTOMING OUT" WEDGE PLATE TO THE FOOT PIECE. TO CONFORM WITH INDUSTRY SAFETY RECOMMENDATIONS, THE WEDGE STOPS TWO INCHES FROM THE END OF THE STROKE.**

#### MAINTENANCE:

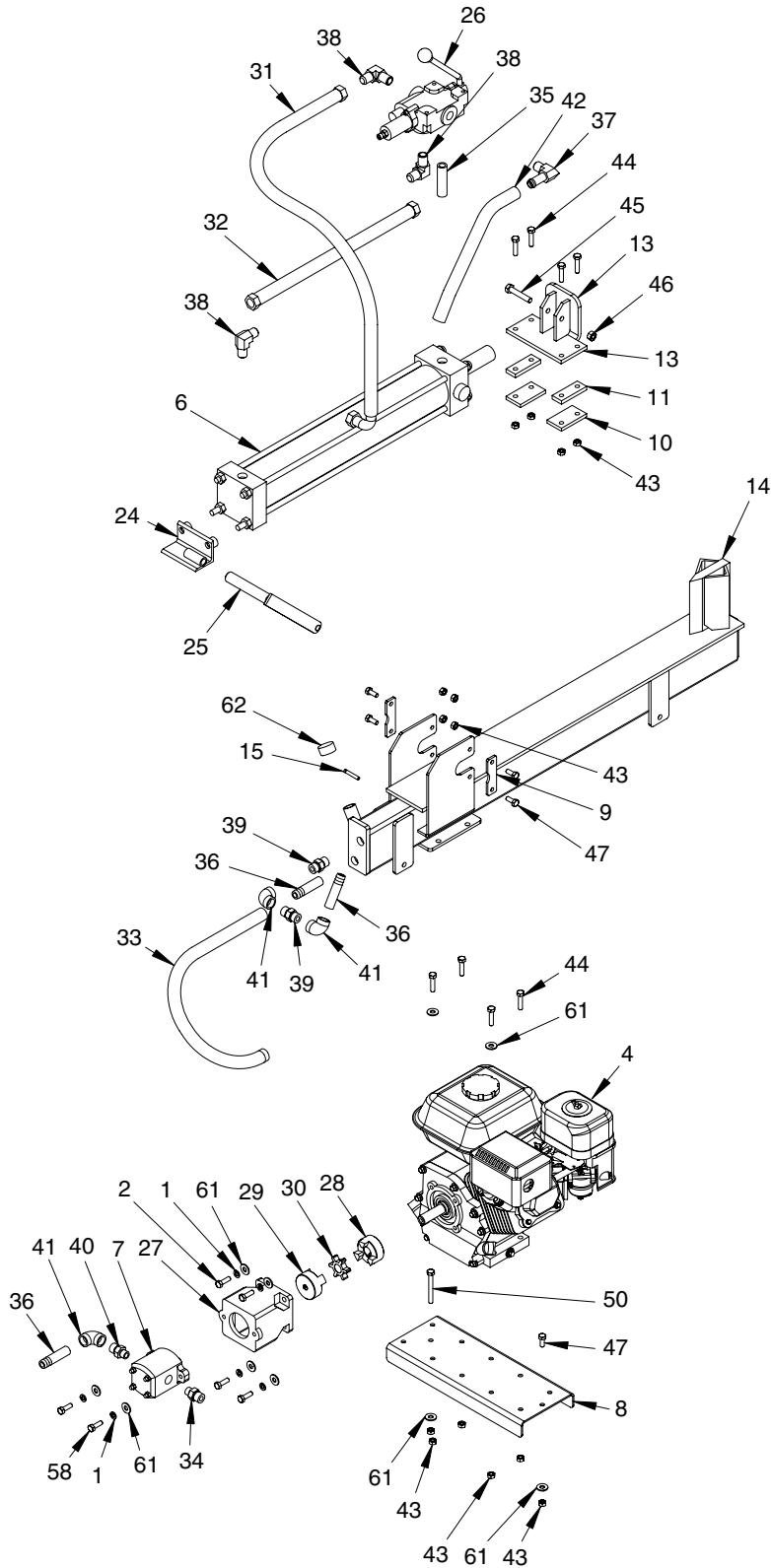
1. Consult the operating and maintenance instructions of the Engine Operator's Manual for engine care and maintenance.
2. Always check the fluid level of the hydraulic reservoir before operation. Fluid must be no more than two inches from top of tank when the wedge is in the return position. Operating the log splitter without an adequate fluid supply will cause severe damage to the hydraulic pump.
3. All replacement parts must meet manufacturer's specifications.
4. Check air pressure of tires before each use. Maintain pressure of 30 psi.

## TROUBLESHOOTING (ENGINE)

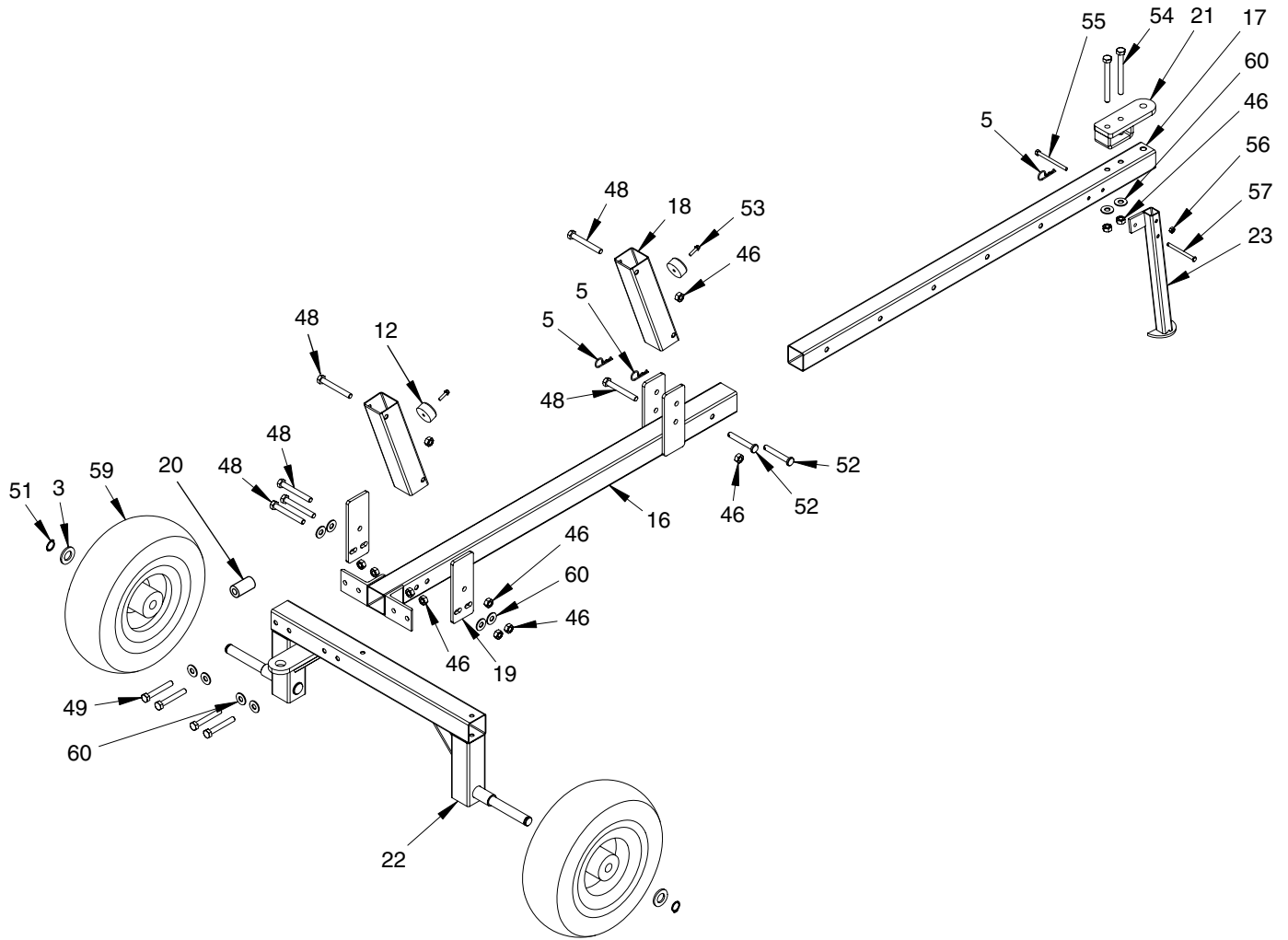
PROBLEM	POSSIBLE CAUSE	REMEDY/ACTION
Engine will not start	1. Power switch off	1. Flip switch to ON position
	2. Spark plug wire disconnected	2. Connect spark plug wire to spark plug
	3. Out of fuel	3. Refuel
	4. Spark plug wet, faulty or improperly gapped	4. Clean, replace or gap spark plug
	5. Throttle control not held open	5. Hold throttle control open when pulling recoil handle
	6. Fuel line hose not positioned in bottom of gas tank	6. Push fuel line down into fuel in gas tank
Engine runs rough, floods during operation	1. Dirty air filter	1. Clean or replace air filter
	2. Choke partially engaged	2. Turn off choke
	3. Carburetor out of adjustment	3. Call factory
Engine is hard to start	1. Stale fuel	1. Drain old fuel and replace with fresh. Use gas stabilizer at end of season
	2. Spark plug wire loose	2. Make sure spark wire is securely attached to spark plug
	3. Dirty carburetor	3. Clean carburetor, use gas stabilizer, new gas can
	4. Throttle control not held open	4. Prime unit 3 more times, then hold throttle open when pulling recoil handle
Engine misses or lacks power	1. Clogged gas tank	1. Remove and clean gas tank
	2. Clogged air filter	2. Clean or replace air filter
	3. Carburetor out of adjustment or bad	3. Call factory
	4. Spark plug wet, faulty or improperly gapped	4. Clean, replace or gap spark plug
Engine runs, then quits	1. Gas cap not venting	1. Clean or replace gas cap, check vent
	2. Plugged fuel filter	2. Clean or replace fuel filter
	3. Carburetor out of adjustment or bad	3. Call factory
Engine revs too high	1. Carburetor out of adjustment	1. Call factory

**Contact service provider at 800-345-6007 if above remedies fail.**

## W1265V PARTS DIAGRAM



### W1265V PARTS DIAGRAM (CONT.)



## W1265V PARTS LISTING

KEY #	PART #	DESCRIPTION	QTY
1	504	LOCKWASHER-SPRING 5/16"	6
2	810	BOLT 5/16-24 X 1 HH GR5	4
3	4159	WASHER 3/4" SPINDLE SAE	2
4	60365 or 60501*	ENGINE - 6.5 HP VIPER HORZ or Briggs & Stratton 205cc*	1
5	HAIRS	PIN OVAL HAIR PIN 5/16" Z	3
6	W1265V0100	CYLINDER, HYDRAULIC 75MM X 21" TRUNNION MOUNT	1
7	W1265V0110	PUMP, HYDRAULIC SINGLE STAGE 4 GPM	1
8	W1265V0205	PLATE, ENGINE MOUNT 12 TON LOG SPLITTER	1
9	W1265V0209	PLATE, RETAINER TRUNNION HYDRAULIC CYLINDER	2
10	W1265V0210	PLATE, RETAINER PUSH BLOCK 12 TON LOG SPLITTER	2
11	W1265V0211	SPACER, PUSH BLOCK 12 TON LOG SPLITTER	2
12	W1265V0216	BUMPER, PAD 12 TON LOG SPLITTER LIFT	2
13	W1265V0218	WELDMENT, PUSH BLOCK 12 TON LOG SPLITTER	1
14	W1265V0219	WELDMENT, BEAM 12 TON LOG SPLITTER	1
15	W1265V0220	SCREW, AIR VENT	1
16	W1265V0300	WELDMENT, TOUNGE LOG SPLITTER TRAILER	1
17	W1265V0302	EXTENSION, TOUNGE LOG SPLITTER TRAILER	1
18	W1265V0303	TUBE, RISER LOG SPLITTER TRAILER	2
19	W 1265V0304	PLATE, RISER SUPPORT ADJ LOG SPLITTER TRAILER	2
20	W1265V0309	SPACER, AXLE MOUNT	1
21	W1265V0311	WELDMENT, HITCH LOG SPLITTER TRAILER	1
22	W1265V0400	WELDMENT, AXEL LOG SPLITTER TRAILER	1
23	W1265V0500	WELDMENT, KICKSTAND LOG SPLITTER TRAILER	1
24	W1265V0600	WELDMENT, LIFT HANDLE MOUNT 12 TON LOG SPLITTER	1
25	W1265V0608	WELDMENT, LIFT HANDLE 12 TON LOG SPLITTER	1
26	W1265V0700	VALVE, LOG SPLITTER WITH SPRING RETURN	1
27	W1265V0801	SPACER, HYDRAULIC PUMP 12 TON SPLITTER	1
28	W 1265V0802	COUPLING, LOVE JOY 19MM BORE WITH SET SCREW	1
29	W1265V0803	COUPLING, LOVE JOY 10MM BORE WITH SET SCREW	1
30	W1265V0804	SPIDER, LOVE JOY L SERIES	1
31	W1265V0805	HYDRAULIC HOSE 40 MPA WITH 1/7 JIC SWIVEL FITTINGS	1

\* For model W1265B only.

**W1265V PARTS LISTING (CONT.)**

KEY #	PART #	DESCRIPTION	QTY
32	W1265V0806	HOSE, HYDRAULIC 40 MPA WITH 1/2" JIC SWIVEL FITTINGS	1
33	W1265V0807	HOSE, HYDRAULIC SUCTION PUMP SUPPLY LOG SPLITTER	1
34	W1265V0808	FITTING, HYDRAULIC	1
35	W1265V0810	PIPE, NIPPLE 1/2 NPT VALVE SPACER LOG SPLITTER	1
36	W1265V0811	FITTING 1/2" NPT TO HOSE	3
37	W1265V0812	FITTING, ELBOW 1/2" TO HOSE	1
38	W1265V0813	FITTING, ELBOW 1/2" NPT TO 1/7" JIC	3
39	W1265V0814	COUPLING 1/2" MALE TO MALE	2
40	W1265V0815	COUPLING 1/2" TO 3/8" MALE TO MALE	1
41	W1265V0816	ELBOW 1/7" NPT	3
42	W1265V0817	HOSE, HYDRAULIC LOW PRESSURE RETURN	1
43	W1265V0900	NUT, M8 NYLOCK ZINC GRADE 8.8	14
44	W1265V0901	BOLT, M8 X 35 HHCS ZINC GRADE 8.8	8
45	W1265V0902	BOLT, M10 X 70 HHCS ZINC GRADE 8.8	1
46	W1265V0903	NUT, M10 ZINC GRADE 8.8	13
47	W1265V0904	BOLT, M8 X 20 HHCS ZINC GRADE 8.8	5
48	W1265V0905	BOLT, M10 X 80 HHCS ZINC GRADE 8.8	6
49	W1265V0902	BOLT, M10 X 70 HHCS ZINC GRADE 8.8	4
50	W1265V0907	BOLT, M8 X 70 HHCS ZINC GRADE 8.8	1
51	W1265V0908	RING, RETAINING 3/4" EXTERNAL	2
52	W1265V0909	PIN, CLEVIS M10 X 70 ZINC	2
53	W1265V0910	SCREW, MACHINE SELF TAPPING	2
54	W1265V0911	BOLT, M10 X 100 HHCS ZINC GRADE 8.8	2
55	W1265V0912	BOLT, M6 X 80 HHCS ZINC GRADE 8.8	1
56	W1265V0913	NUT, M6 NYLOCK GRADE 8.8	1
57	W1265V0914	PIN, CLEVIS M6 X 55	1
58	W1265V0915	BOLT, M8 X 25 HHCS ZINC GRADE 8.8	2
59	W1265V1000	TIRE & WHEEL WITH BEARING AND 3/4 HUB DIA	2
60	WF38	WASHER FLAT 3/8 STANDARD ZINC	10
61	WF516	WASHER FLAT 5/16" STANDARD ZN	10
62	W1265V020303	FILLER CAP	1

# Earthquake®

## **TRAIL WARRIOR QUICK SPLIT 12 TON LOG SPLITTER**

### **1-YEAR LIMITED WARRANTY**

#### **Terms and Conditions**

Ardisam, Inc., a manufacturing company, warrants this **EARTHQUAKE® TRAIL WARRIOR QUICK SPLIT 12 TON LOG SPLITTER** to be free from defects in the material or workmanship for a period of one year from the date of purchase. During the one year warranty of this product, Ardisam will furnish 100% parts and labor to correct any defect caused by faulty material or workmanship. Any unit used in a commercial application is covered for a period of 90 days after purchase.

If warranty work needs to be done, contact your place of purchase or Ardisam, Inc. for an authorized service center in your area. Ardisam will make the necessary repairs if a service center is not available. **To obtain warranty service and/or replacement instructions, you must have prior approval from Ardisam before shipping your package to us by calling our customer service department at 800-345-6007 for a return material authorization number (RMA#).** All items must be shipped prepaid. Ardisam, Inc. will at no charge, repair or replace, at their discretion, any defective part which falls under the conditions stated above.

Ardisam retains the right to change models, specifications and price without notice. This product if used as intended, will give you years of trouble free service. We hope you will enjoy the quality of our products for years to come.

**For replacement parts, phone 800-345-6007 or go online to [www.GetEarthquake.com](http://www.GetEarthquake.com).**

*This warranty applies to the original owner with a proof of purchase and is not transferable. It supersedes all other warranties either expressed or implied and all other obligations to liabilities on our part. Ardisam, Inc. does not assume, and does not authorize any other person to assume for us, any liability in connection with the sale of our products.*

*The warranty applies only to products which have not been subjected to negligent use, misuse, alteration, accident or repairs made by anyone not certified by Ardisam, Inc. This guarantee is void unless the warranty card is properly filled out and received by Ardisam, Inc., within 30 days of purchase or go to [www.GetEarthquake.com](http://www.GetEarthquake.com) for online registration.*

Earthquake, Division of Ardisam, Inc.  
1690 Elm Street; P.O. Box 666  
Cumberland, Wisconsin 54829  
800-345-6007 · Fax (715) 822-4180  
E-mail: [info@ardisam.com](mailto:info@ardisam.com)



Visit [www.ardisam.com](http://www.ardisam.com) and discover more innovations that will benefit you throughout the year.