

# Dual-Fuel Freestanding Range

E30DF74GPS professional series



### Smooth-Glide® Oven Racks

Ball bearing oven racks glide with unparalleled ease and extend fully for effortless access.



### Min-2-Max Burners®

With the widest range of BTU performance in the industry, these best-in-class dual-flame sealed burners offer unrivaled versatility—from a roaring 18,000-BTU boil to a gentle 450-BTU simmer.



### CustomConvect<sup>3</sup>™ Convection Technology

Distributes heat evenly throughout the oven by adding a third cooking element plus a variable speed fan.



### Flexible Cooktop Configuration

The cooktop offers a wide range of burner sizes, giving you more flexibility so you can create a multi-course meal at once.

## 30" DUAL-FUEL FREESTANDING RANGE

### CONTROL PANEL FEATURES

Electronic Oven Control	Yes
Professional-Style Stainless Steel Console	Yes
Large Professional Skirted Knobs with Bezel	6

### RANGETOP FEATURES

Min-2-Max Burners® (BTU)	2 (18,000 – 450)
Sealed Power Burner™ (BTU)	1 (14,000)
Sealed Precision Burner™ (BTU)	1 (5,000)
Continuous Grates	2
Electronic Ignition	Yes

### OVEN CAVITY FEATURES

Capacity	4.2 Cu. Ft.
Bake Element (Watts)	2500
Broil Element (Watts)	4000
Convection Element (Watts)	2500
Signature Cobalt Blue Oven Interior	Yes
CustomConvect <sup>3</sup> ™ Convection System	Yes
Self-Clean with Door Lock	Yes
Extra-Wide Oven Window	Yes
Halogen Oven Light	2
Eight-Pass Bake & Broil	Yes
Smooth-Glide® Oven Racks	3
Conventional Rack	1
Convection Roasting Rack	1
Hidden Bake Element	Yes

### ADDITIONAL FEATURES

Stainless Steel Backsplash	6"
Full Stainless Steel Side Panels	Yes
Professional Handle	Yes
Fully Adjustable, Heavy-Duty Legs	Yes

### ACCESSORIES

Broil Pan and Insert	Included
Stainless Steel Cleaner	Included
Griddle	Included
Wok Ring	Included
Simmer Plate	Included
9" Stainless Steel Backsplash – PN# 903104-9010	Optional
12" Stainless Steel Backsplash – PN# 903105-9010	Optional
4" Stainless Steel Kick Plate – PN# 318352601	Optional
Stainless Steel Island Trim Kit – PN# 903106-9010	Optional
Black Knobs Kit – PN# 903108-9010	Optional

### SPECIFICATIONS

Oven Cavity Dimensions –	
Height	16-1/2"
Width	24-1/8"
Depth	18-1/32"
Product Dimensions –	
Height (Including Adjustable Legs)	41-5/8 – 42-5/8"
Width	29-7/8"
Depth (Including Handle) (with 90° Door Open)	28-5/8" 45-1/2"
Gas Supply Connection Location	Center Bottom Rear
Power Supply Connection Location	Left Bottom Rear
Amps @ 240/208 Volts	27/23
Minimum Circuit Required (Amps)	30
Connected Load (kW Rating) @ 240/208 Volts	6.5/4.8
LP Gas Conversion Kit	Included
Shipping Weight (Approx.)	280 Lbs

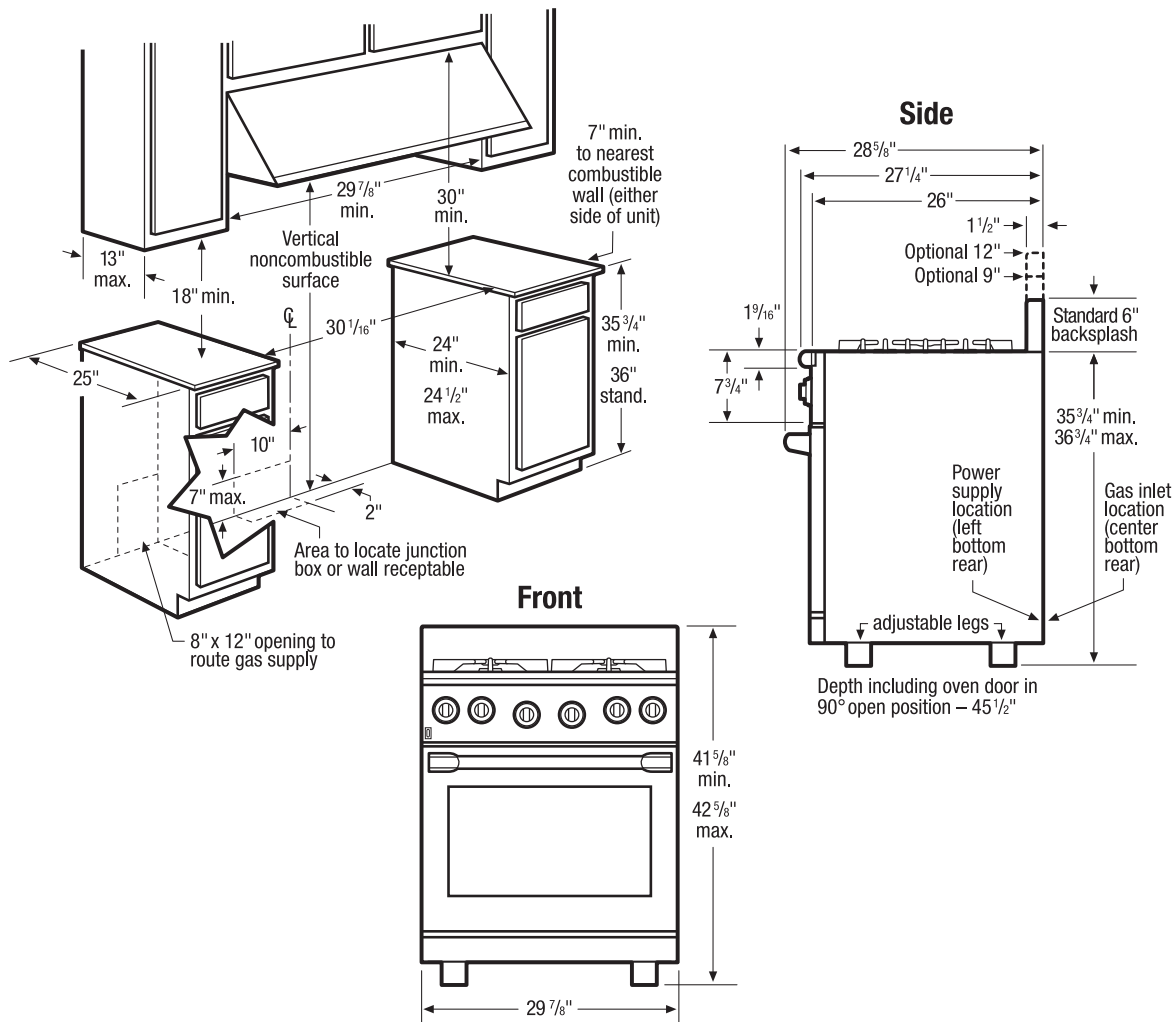
NOTE: Always consult local and national electric and gas codes. Refer to Product Installation Guide for detailed installation instructions on the web at [electroluxicon.com](http://electroluxicon.com).

Specifications subject to change.

# Dual-Fuel Freestanding Range

E30DF74GPS professional series

Electrolux | ICON®



## 30" Dual-Fuel Freestanding Range Specifications

- Product Weight – 250 Lbs.
- Single phase 3- or 4-wire cable, 120/240 or 120/208 Volt, 60 Hertz AC only electrical supply with ground required on separate circuit fused on both sides of line.
- Connected Load (kW Rating) @ 240/208 Volts = 6.5/4.8kW
- Amps @ 240/208 Volts = 27/23 Amps
- Recommended Circuit Breaker – 30 Amps
- Always consult local and national electric and gas codes.
- Range ships with 3/4" factory regulator.
- LP Gas conversion kit supplied.
- Overhead cabinetry should not exceed a 13" maximum depth.
- Allow 30" minimum clearance between top of rangetop and bottom of unprotected wood or metal overhead cabinetry.
- Absolute minimum horizontal distance between overhead cabinets installed to either side of appliance must be no less than maximum width of appliance.
- Allow 7" minimum clearance from edge of rangetop to nearest combustible wall on either side of unit.

- Allow 24" minimum clearance when bottom of wood or metal overhead cabinet is protected by not less than 1/8" flame-retardant millboard covered with not less than No.28 MGS sheet steel, 0.015" stainless steel, 0.024" aluminum or 0.020" copper.
- To reduce risk of fire when using overhead cabinetry, install vent hood that projects horizontally a recommended minimum of 5" beyond bottom of cabinets.

**Note:** For planning purposes only. Refer to Product Installation Guide on the web at [electroluxicon.com](http://electroluxicon.com) for detailed instructions.

### Optional Accessories

- 9" Stainless Steel Backsplash – (PN# 903104-9010).
- 12" Stainless Steel Backsplash – (PN# 903105-9010).
- Stainless Steel Island Trim Kit (for use in place of backsplash) – (PN# 903106-9010).
- 4" Stainless Steel Kick Plate – (PN# 318352601).
- Black Knobs Kit – (PN# 903108-9010).

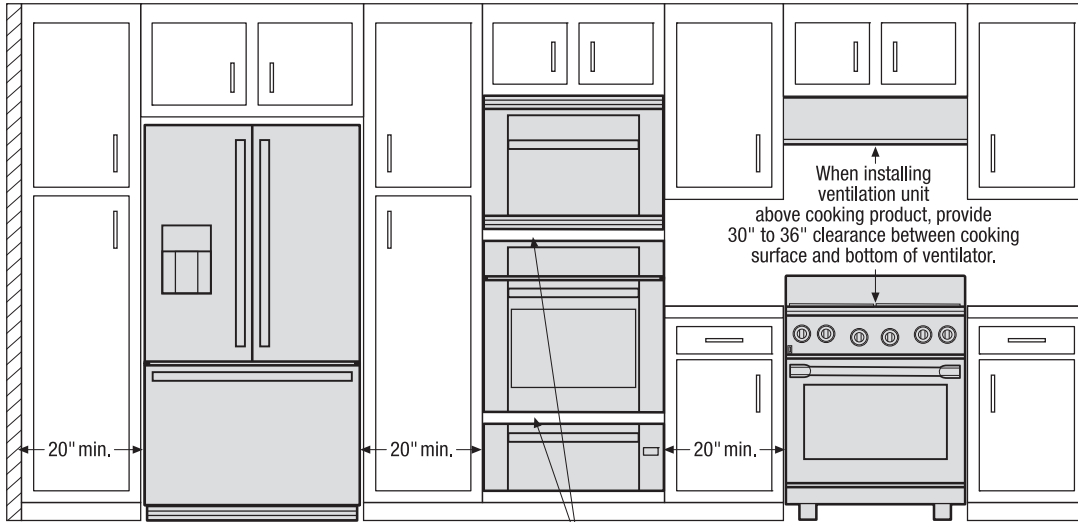
## Electrolux Major Appliances, N.A.

USA • 10200 David Taylor Drive • Charlotte, NC 28262 • 1-877-4electrolux (1-877-435-3287) • [electroluxicon.com](http://electroluxicon.com)  
 CANADA • 5855 Terry Fox Way • Mississauga, ON L5V 3E4 • 1-800-265-8352 • [electroluxicon.ca](http://electroluxicon.ca)



Use these dimensions and clearance instructions for planning purposes only. For detailed installation instructions, refer to installation guide, packed with product, or on the web at [electroluxicon.com](http://electroluxicon.com).

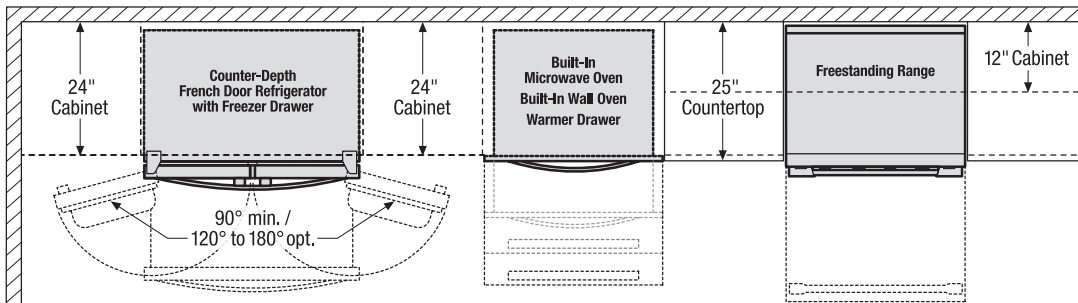
Front



When installing appliances adjacent to each other, 20" minimum distance between each appliance required.

When installing built-in cooking appliances in combination, 2" minimum visible gap between appliance faceplates required.

Top

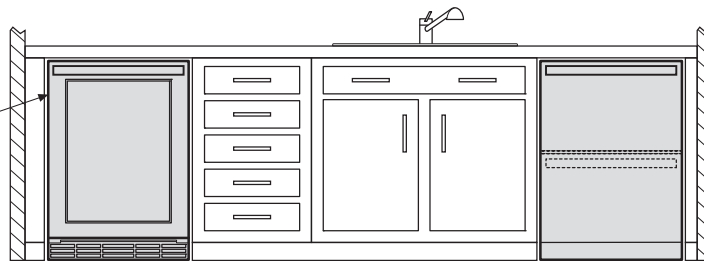


When installing refrigerator adjacent to wall, cabinet or another appliance that extends beyond front edge of unit, 20" minimum clearance recommended to allow for optimum 120° to 180° door swing, providing complete drawer/crisper access and removal.

When installing appliance with sliding drawer or drop-down door directly across from obstructions, provide sufficient clearance for drawer extension or door swing.

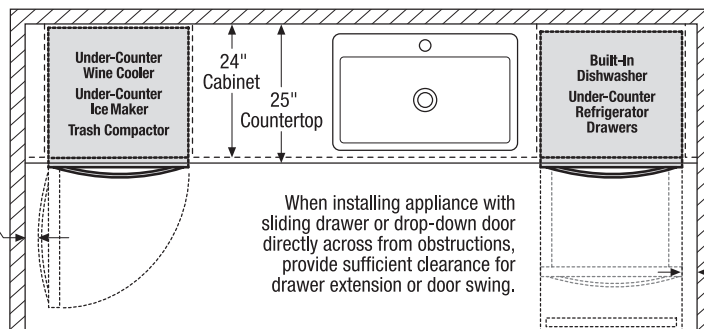
Front

To ensure optimum performance, avoid installing refrigeration appliances in direct sunlight or near heat source.



Top

When installing appliance with side-swing door adjacent to wall, cabinet, or other obstruction that extends beyond front edge of appliance, door swing and handle clearance must be sufficient to allow access to appliance interior.



When installing appliance with sliding drawer or drop-down door directly across from obstructions, provide sufficient clearance for drawer extension or door swing.

When installing appliance with sliding drawer or drop-down door adjacent to wall, cabinet, or other obstruction that extends beyond front edge of appliance, allow 2" minimum clearance between drawer or door and obstruction.

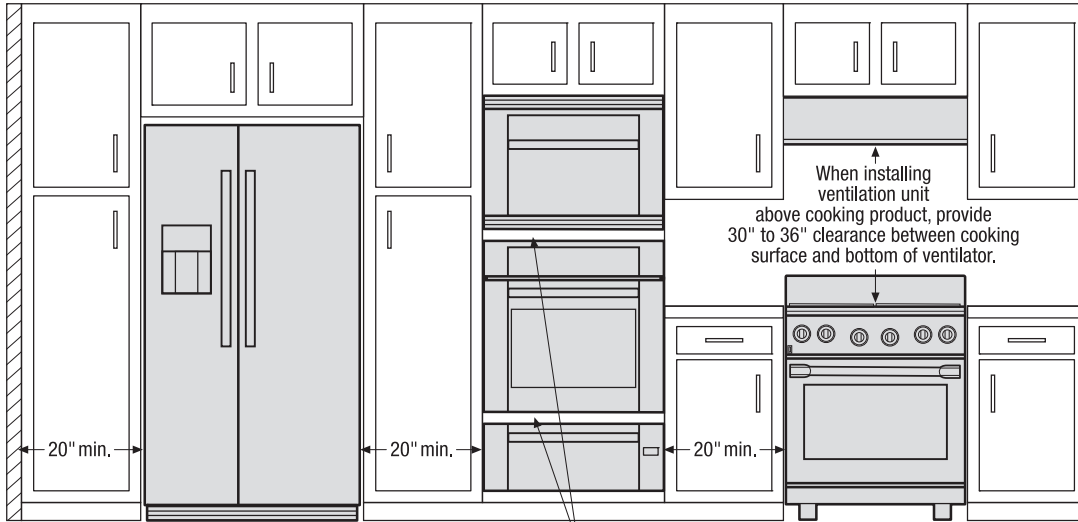
Electrolux Major Appliances, N.A.

USA • 10200 David Taylor Drive • Charlotte, NC 28262 • 1-877-4electrolux (1-877-435-3287) • [electroluxicon.com](http://electroluxicon.com)  
CANADA • 5855 Terry Fox Way • Mississauga, ON L5V 3E4 • 1-800-265-8352 • [electroluxicon.ca](http://electroluxicon.ca)

High standards of quality at Electrolux Home Products, Inc. mean we are constantly working to improve our products. We reserve the right to change specifications or discontinue models without notice.

Use these dimensions and clearance instructions for planning purposes only. For detailed installation instructions, refer to installation guide, packed with product, or on the web at [electroluxicon.com](http://electroluxicon.com).

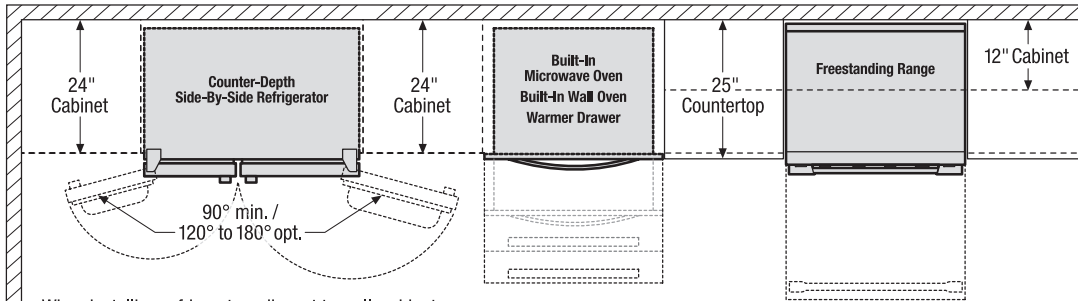
Front



When installing appliances adjacent to each other, 20" minimum distance between each appliance required.

When installing built-in cooking appliances in combination, 2" minimum visible gap between appliance faceplates required.

Top

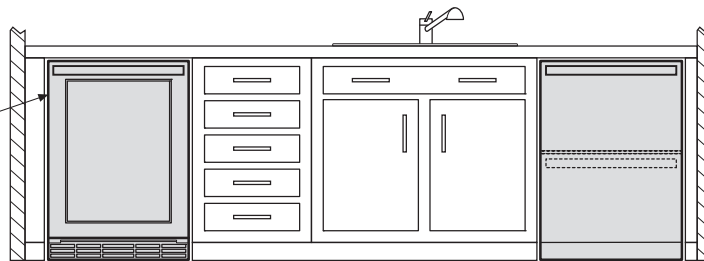


When installing refrigerator adjacent to wall, cabinet or another appliance that extends beyond front edge of unit, 20" minimum clearance recommended to allow for optimum 120° to 180° door swing, providing complete drawer/crisper access and removal.

When installing appliance with sliding drawer or drop-down door directly across from obstructions, provide sufficient clearance for drawer extension or door swing.

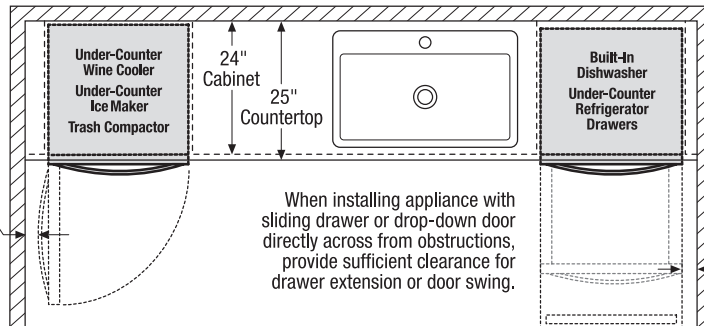
Front

To ensure optimum performance, avoid installing refrigeration appliances in direct sunlight or near heat source.



Top

When installing appliance with side-swing door adjacent to wall, cabinet, or other obstruction that extends beyond front edge of appliance, door swing and handle clearance must be sufficient to allow access to appliance interior.



When installing appliance with sliding drawer or drop-down door adjacent to wall, cabinet, or other obstruction that extends beyond front edge of appliance, allow 2" minimum clearance between drawer or door and obstruction.

Electrolux Major Appliances, N.A.

USA • 10200 David Taylor Drive • Charlotte, NC 28262 • 1-877-4electrolux (1-877-435-3287) • [electroluxicon.com](http://electroluxicon.com)  
CANADA • 5855 Terry Fox Way • Mississauga, ON L5V 3E4 • 1-800-265-8352 • [electroluxicon.ca](http://electroluxicon.ca)

High standards of quality at Electrolux Home Products, Inc. mean we are constantly working to improve our products. We reserve the right to change specifications or discontinue models without notice.