



Under-Counter Wine Cooler

E24WC75HPS professional series



Custom-Set™ Temperature Control

Set a temperature anywhere between 45 and 65 degrees — the wine cooler will maintain your selected temperature to keep your wine chilled just the way you like it.



Smooth-Glide® Racks

With a ball bearing system, racks smoothly extend with the touch of a finger for effortless access.



48-Bottle Capacity

Store up to 48 bottles of your favorite vintage.



Theatre Lighting

Transition LED lighting gradually illuminates the interior with soft but ample light as you open the door.

24" UNDER-COUNTER SIDE-SWING WINE COOLER

Sabbath Mode (Star-K® Certified)	Yes
Capacity	6 Cu. Ft.
Maximum Storage	48 Bottles
Installation Type	Built In/Freestanding

FEATURES

Integrated Custom-Set™ Temperature Control	Yes
Electronic Control Lock	Yes
Signature Blue LED Display	Yes
Frost-Free Performance	Yes
Dynamic Condenser	Yes
PureAdvantage® Air Filtration	Yes
Display Temp Mode (°C or °F)	Yes
Door Ajar Acoustic Alarm	Yes
Power Failure Acoustic Alarm	Yes
High-Temperature Acoustic Alarm	Yes
Mute Sound Control	Yes
Theatre-Style Lighting	Yes
Exhibit Lighting with Manual Control	Yes
Power-On/Off Control	Yes
Vacation Mode	Yes
Smooth-Glide® Full-Extension Racks	7
Black Soft Coat Wireform Racks	Yes
Maple Wood Front on Racks	Yes

ADDITIONAL FEATURES

Professional Series Door and Handle Design	Yes
UV Filtered, Tinted Glass Door	Yes
Luxury-Close™ Door	Yes
Adjustable Leveling Legs	4
A.D.A. Compliant*	Yes

ACCESSORIES

Field-Reversible Door Kit – PN# 5303918377	Optional
--	----------

SPECIFICATIONS

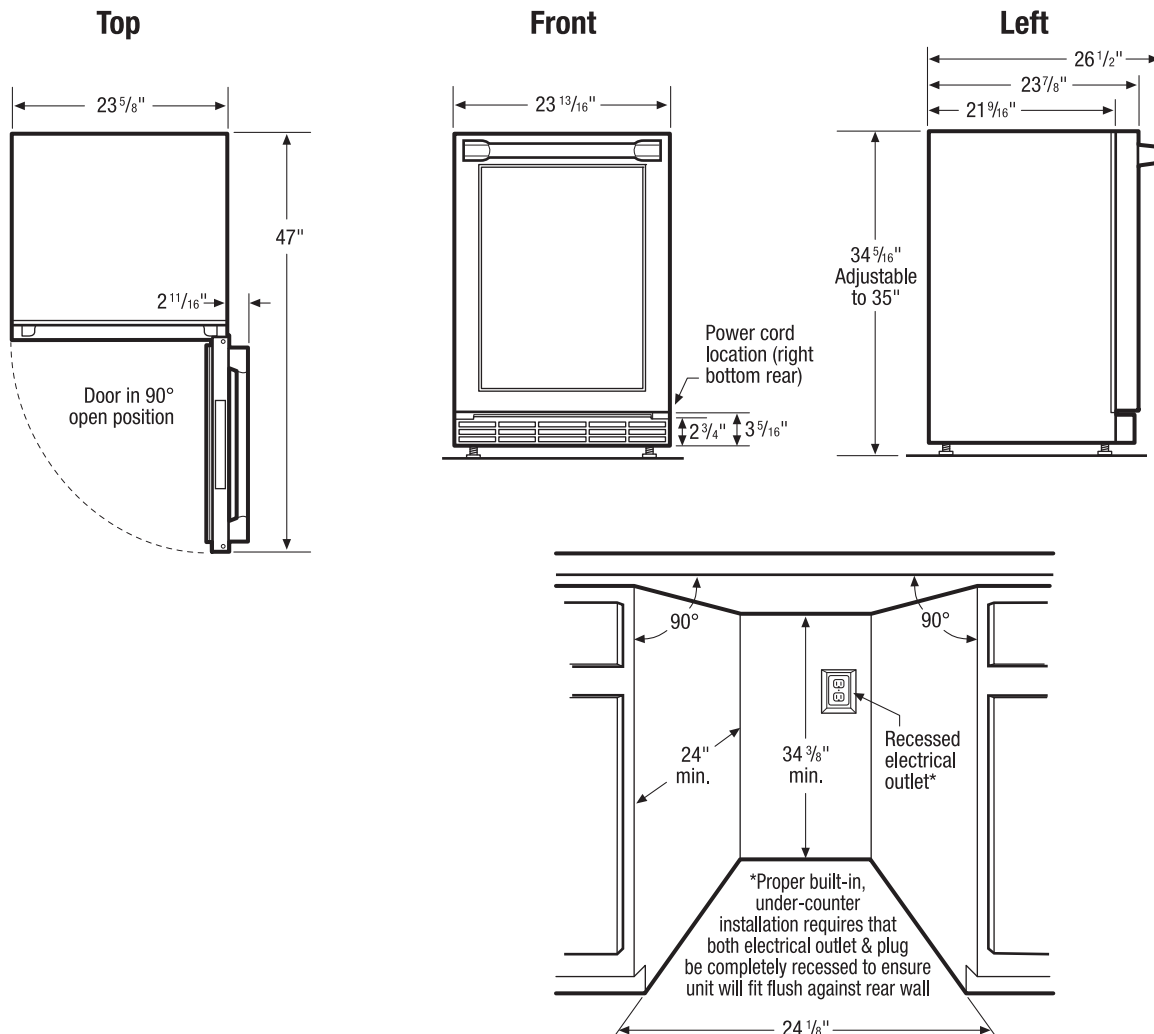
Overall Exterior Dimensions –	
Height (Adjustable)	34-5/16" – 35"
Width	23-13/16"
Depth	23-7/8"
(Including Handle)	26-1/2"
(with 90° Door Open)	47"
Temperature Range	45° F – 65° F
Power Supply Connection Location	Right Bottom Rear
Voltage Rating	120V/60Hz/15A
Connected Load (kW Rating) @ 120 Volts‡	0.15
Minimum Circuit Required (Amps)	15
Shipping Weight (Approx.)	166 Lbs.

**When properly installed, meets the appliance standards in the Americans with Disabilities Act and the Architectural Barriers Act Accessibility Guidelines as published by the United States Access Board on June 23, 2004, as amended August 5, 2005.*

‡For use on adequately wired 110V, dedicated circuit having 2-wire service with a separate ground wire. Appliance must be grounded for safe operation.

NOTE: Always consult local and national electric codes. Refer to Product Installation Guide for detailed installation instructions on the web at electroluxicon.com.

Specifications subject to change.



Under-Counter Wine Cooler Specifications

- Product Weight – 159 Lbs.
- Voltage Rating – 120V/60Hz/ 15 Amps
- Connected Load (kW Rating) @ 120 Volts = 0.15kW
(For use on adequately wired 120V, dedicated circuit having 2-wire service with a separate ground wire. Appliance must be grounded for safe operation.)
- Amps @ 120 Volts = 6 Amps
- Electrical cable supplied.
- Always consult local and national electric codes.
- Unit is designed for either freestanding or built-in, under-counter installation.
- Built-in, under-counter installation does not require additional airspace for top, sides or rear of unit.
- Proper built-in, under-counter installation requires that both electrical outlet and plug be completely recessed to ensure unit will fit flush against rear wall.
- To allow for ease of installation and removal, it is recommended that cabinet rough opening dimensions be increased by at least 1/4" over product's dimensions.

- For proper ventilation, unit can NOT be installed behind closed doors; front grille MUST remain unobstructed.
- Must be positioned on flat, level surface, capable of supporting entire weight when fully loaded.
- Leveling legs supplied to adjust height and level unit.
- Do not position unit near any heat source to ensure optimum performance.
- Unit requires zero clearance when installing flush with cabinet or wall.
- When installing against cabinet or wall that extends beyond front edge of unit, 2-7/8" minimum handle clearance required to allow for 90° door swing, providing sliding shelves with necessary clearance. (Door swing can be reversed with installation of Field-Reversible Door Kit – 5303918377).

Note: For planning purposes only. Refer to Product Installation Guide on the web at electroluxicon.com for detailed instructions.

Optional Accessories

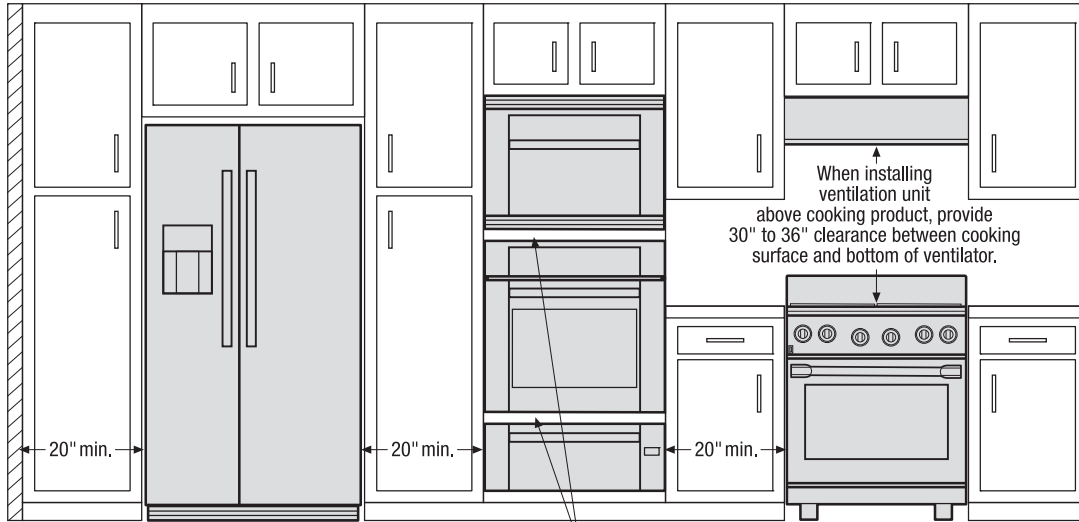
- Field-Reversible Door Kit – (PN# 5303918377).

Electrolux Major Appliances, N.A.

USA • 10200 David Taylor Drive • Charlotte, NC 28262 • 1-877-4electrolux (1-877-435-3287) • electroluxicon.com
 CANADA • 5855 Terry Fox Way • Mississauga, ON L5V 3E4 • 1-800-265-8352 • electroluxicon.ca

Use these dimensions and clearance instructions for planning purposes only. For detailed installation instructions, refer to installation guide, packed with product, or on the web at electroluxicon.com.

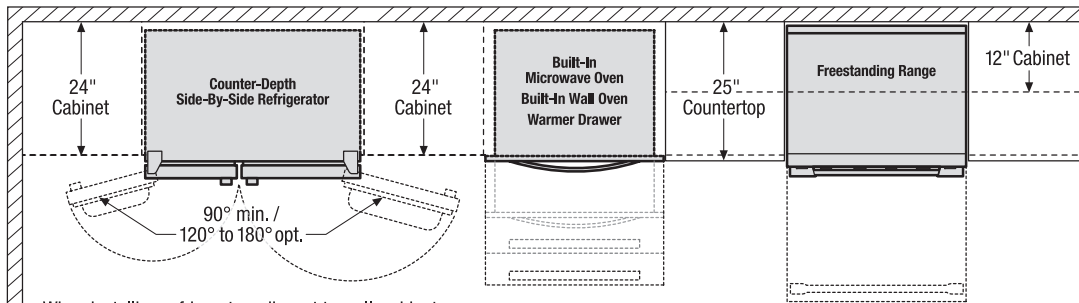
Front



When installing appliances adjacent to each other, 20" minimum distance between each appliance required.

When installing built-in cooking appliances in combination, 2" minimum visible gap between appliance faceplates required.

Top

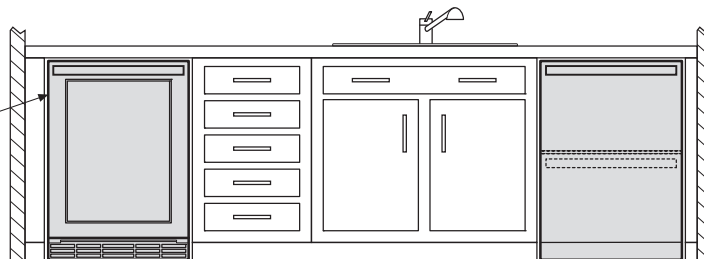


When installing refrigerator adjacent to wall, cabinet or another appliance that extends beyond front edge of unit, 20" minimum clearance recommended to allow for optimum 120° to 180° door swing, providing complete drawer/crisper access and removal.

When installing appliance with sliding drawer or drop-down door directly across from obstructions, provide sufficient clearance for drawer extension or door swing.

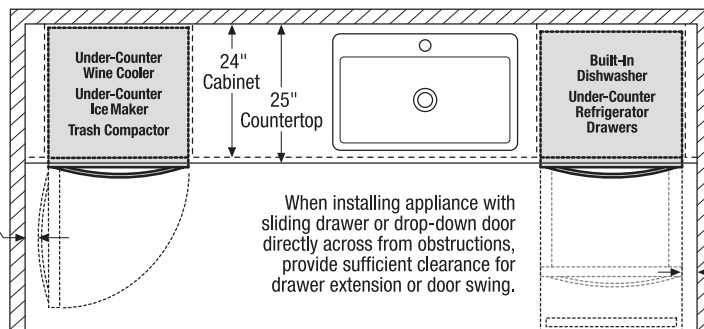
Front

To ensure optimum performance, avoid installing refrigeration appliances in direct sunlight or near heat source.



Top

When installing appliance with side-swing door adjacent to wall, cabinet, or other obstruction that extends beyond front edge of appliance, door swing and handle clearance must be sufficient to allow access to appliance interior.



When installing appliance with sliding drawer or drop-down door directly across from obstructions, provide sufficient clearance for drawer extension or door swing.

When installing appliance with sliding drawer or drop-down door adjacent to wall, cabinet, or other obstruction that extends beyond front edge of appliance, allow 2" minimum clearance between drawer or door and obstruction.

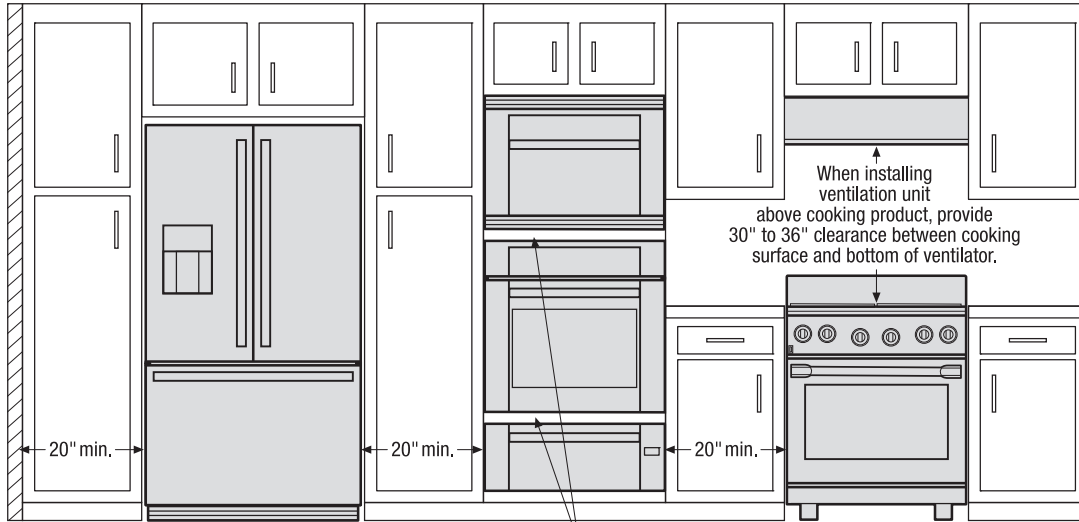
Electrolux Major Appliances, N.A.

USA • 10200 David Taylor Drive • Charlotte, NC 28262 • 1-877-4electrolux (1-877-435-3287) • electroluxicon.com
CANADA • 5855 Terry Fox Way • Mississauga, ON L5V 3E4 • 1-800-265-8352 • electroluxicon.ca

High standards of quality at Electrolux Home Products, Inc. mean we are constantly working to improve our products. We reserve the right to change specifications or discontinue models without notice.

Use these dimensions and clearance instructions for planning purposes only. For detailed installation instructions, refer to installation guide, packed with product, or on the web at electroluxicon.com.

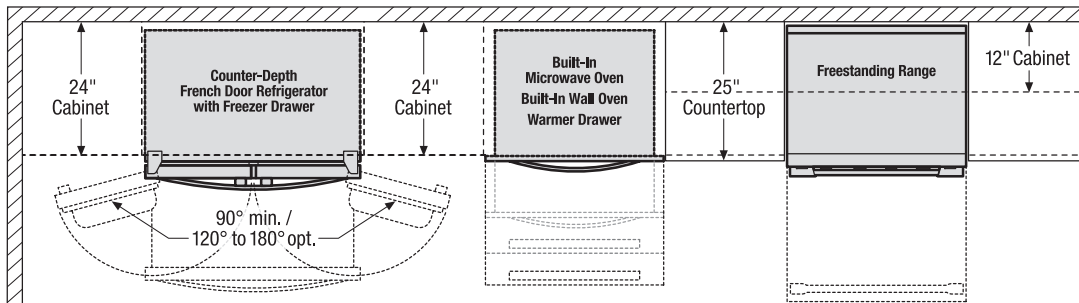
Front



When installing appliances adjacent to each other, 20" minimum distance between each appliance required.

When installing built-in cooking appliances in combination, 2" minimum visible gap between appliance faceplates required.

Top

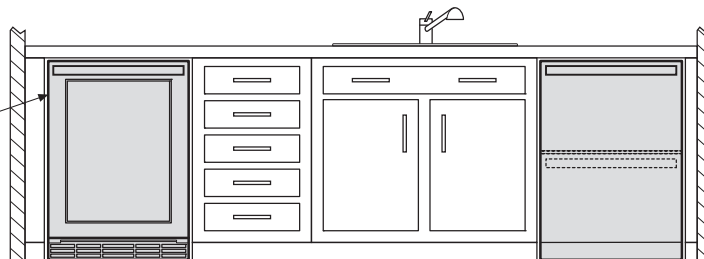


When installing refrigerator adjacent to wall, cabinet or another appliance that extends beyond front edge of unit, 20" minimum clearance recommended to allow for optimum 120° to 180° door swing, providing complete drawer/crisper access and removal.

When installing appliance with sliding drawer or drop-down door directly across from obstructions, provide sufficient clearance for drawer extension or door swing.

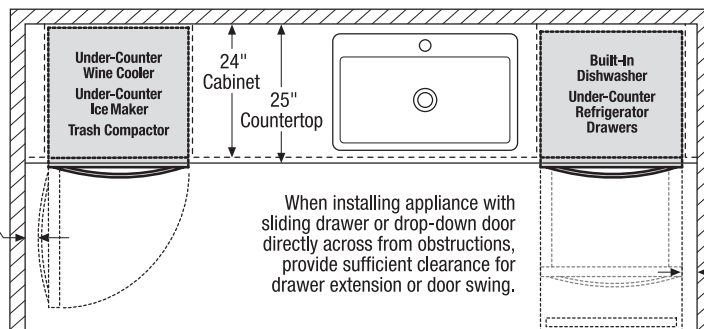
Front

To ensure optimum performance, avoid installing refrigeration appliances in direct sunlight or near heat source.



Top

When installing appliance with side-swing door adjacent to wall, cabinet, or other obstruction that extends beyond front edge of appliance, door swing and handle clearance must be sufficient to allow access to appliance interior.



When installing appliance with sliding drawer or drop-down door directly across from obstructions, provide sufficient clearance for drawer extension or door swing.

When installing appliance with sliding drawer or drop-down door adjacent to wall, cabinet, or other obstruction that extends beyond front edge of appliance, allow 2" minimum clearance between drawer or door and obstruction.

Electrolux Major Appliances, N.A.

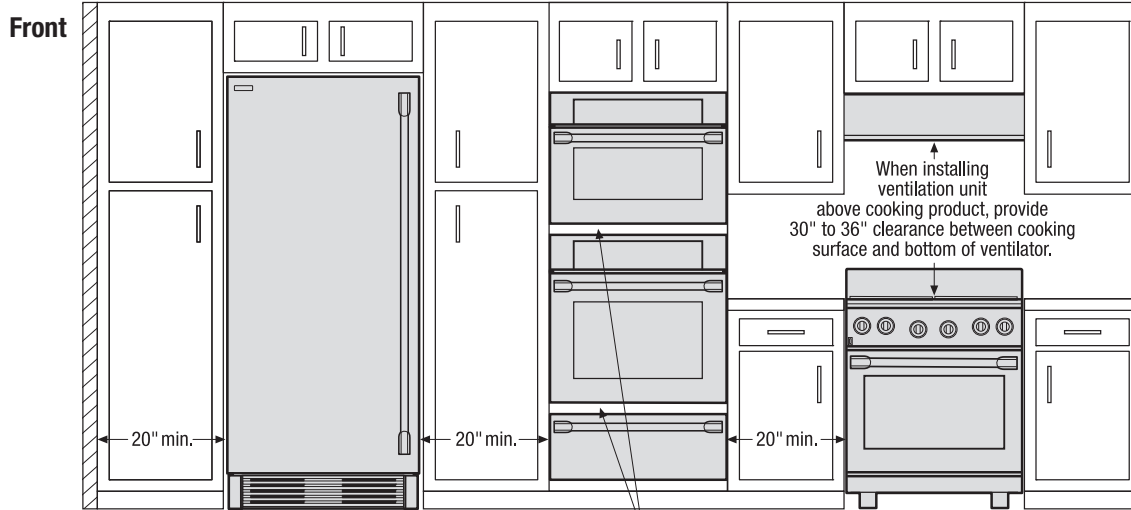
USA • 10200 David Taylor Drive • Charlotte, NC 28262 • 1-877-4electrolux (1-877-435-3287) • electroluxicon.com
CANADA • 5855 Terry Fox Way • Mississauga, ON L5V 3E4 • 1-800-265-8352 • electroluxicon.ca

High standards of quality at Electrolux Home Products, Inc. mean we are constantly working to improve our products. We reserve the right to change specifications or discontinue models without notice.

General Installation Guidelines

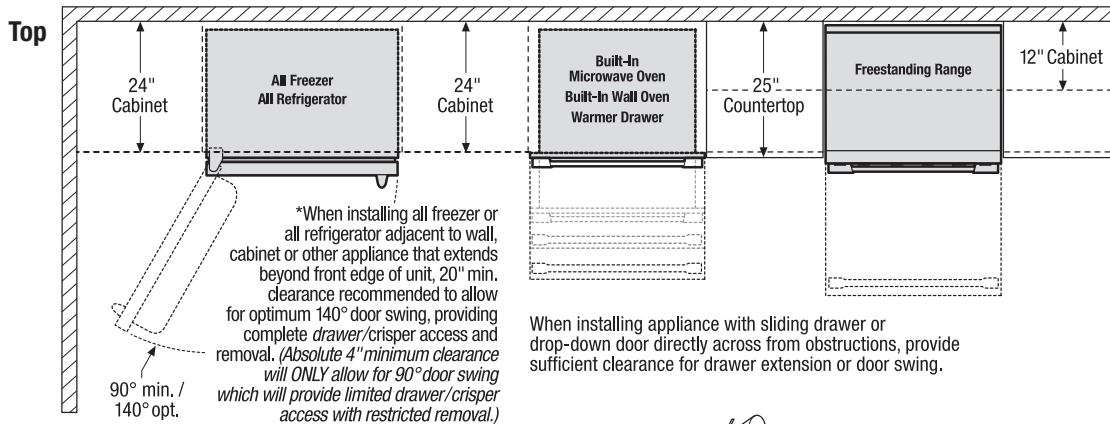
For Installation with All Refrigerator or All Freezer

Use these dimensions and clearance instructions for planning purposes only. For detailed installation instructions, refer to installation guide, packed with product, or on the web at electroluxicon.com.



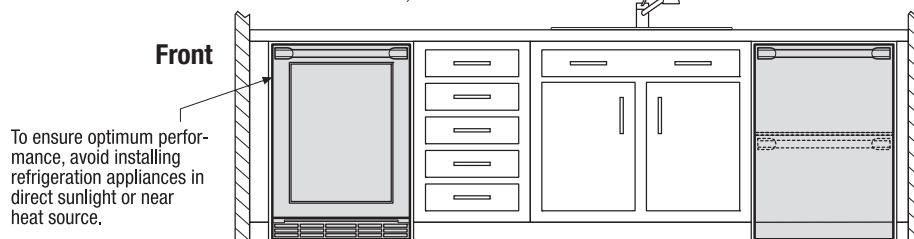
When installing appliances adjacent to each other, 20" minimum distance between each appliance required.

When installing built-in cooking appliances in combination, 2" minimum visible gap between appliance faceplates required.

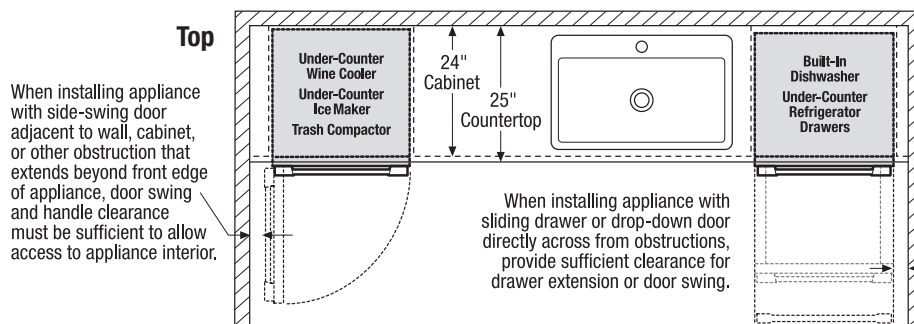


*When installing all freezer or all refrigerator adjacent to wall, cabinet or other appliance that extends beyond front edge of unit, 20" min. clearance recommended to allow for optimum 140° door swing, providing complete drawer/crisper access and removal. (Absolute 4" minimum clearance will ONLY allow for 90° door swing which will provide limited drawer/crisper access with restricted removal.)

When installing appliance with sliding drawer or drop-down door directly across from obstructions, provide sufficient clearance for drawer extension or door swing.



To ensure optimum performance, avoid installing refrigeration appliances in direct sunlight or near heat source.



When installing appliance with side-swing door adjacent to wall, cabinet, or other obstruction that extends beyond front edge of appliance, door swing and handle clearance must be sufficient to allow access to appliance interior.

When installing appliance with sliding drawer or drop-down door directly across from obstructions, provide sufficient clearance for drawer extension or door swing.

When installing appliance with sliding drawer or drop-down door adjacent to wall, cabinet, or other obstruction that extends beyond front edge of appliance, allow 2" minimum clearance between drawer or door and obstruction.

Electrolux Major Appliances, N.A.

USA • 10200 David Taylor Drive • Charlotte, NC 28262 • 1-877-4electrolux (1-877-435-3287) • electroluxicon.com
 CANADA • 5855 Terry Fox Way • Mississauga, ON L5V 3E4 • 1-800-265-8352 • electroluxicon.ca

High standards of quality at Electrolux Home Products, Inc. mean we are constantly working to improve our products. We reserve the right to change specifications or discontinue models without notice.