

Under-Counter Wine Cooler

E24WC75HPS professional series



Integrated Electronic Controls

Reversible side-swing door with integrated electronic controls located conveniently on the top of the door ensure this unit will fit anywhere.



Smooth-Glide™ Shelves

With a ball bearing system, shelves are so smooth they extend effortlessly.



48-Bottle Capacity

The space-efficient, under-counter wine cooler safely and conveniently stores up to 48 bottles.



Tinted, Thermal, UV-Resistant Glass Door

Tinted, thermal-tempered glass door protects your wine collection from potentially harmful UV light rays.

24" UNDER-COUNTER SIDE-SWING WINE COOLER

Sabbath Mode (Star-K® Certified)	Yes
Capacity	6 Cu. Ft.
Maximum Storage	48 Bottles
Installation Type	Built In/Freestanding

FEATURES

Integrated Electronic Controls	Yes
Fully Integrated Control Panel	Yes
Electronic Control Lock	Yes
Blue LED Display	Yes
Frost-Free Performance	Yes
Dynamic Condenser	Yes
PureAdvantage® Air Filter	Yes
Precision Set™ Controls	Yes
Display Temp Mode (°C or °F)	Yes
Door Open Acoustic Alarm	Yes
Power Failure Acoustic Alarm	Yes
Mute Sound Control	Yes
Theatre-Style Lighting	Yes
Exhibit Lighting with Manual Control	Yes
Power-On/Off Control	Yes
Vacation Mode	Yes
Smooth-Glide™ Full-Extension Racks	7
Black Soft Coat Wireform Racks	Yes
Maple Wood Front on Racks	Yes

ADDITIONAL FEATURES

Professional Series Door and Handle Design	Yes
UV-Filtered, Tinted Glass Window	Yes
Self-Closing Door	Yes
Adjustable Leveling Legs	4
A.D.A. Compliant*	Yes

ACCESSORIES

Field-Reversible Door Kit – PN# 5303918374	Optional
--	----------

SPECIFICATIONS

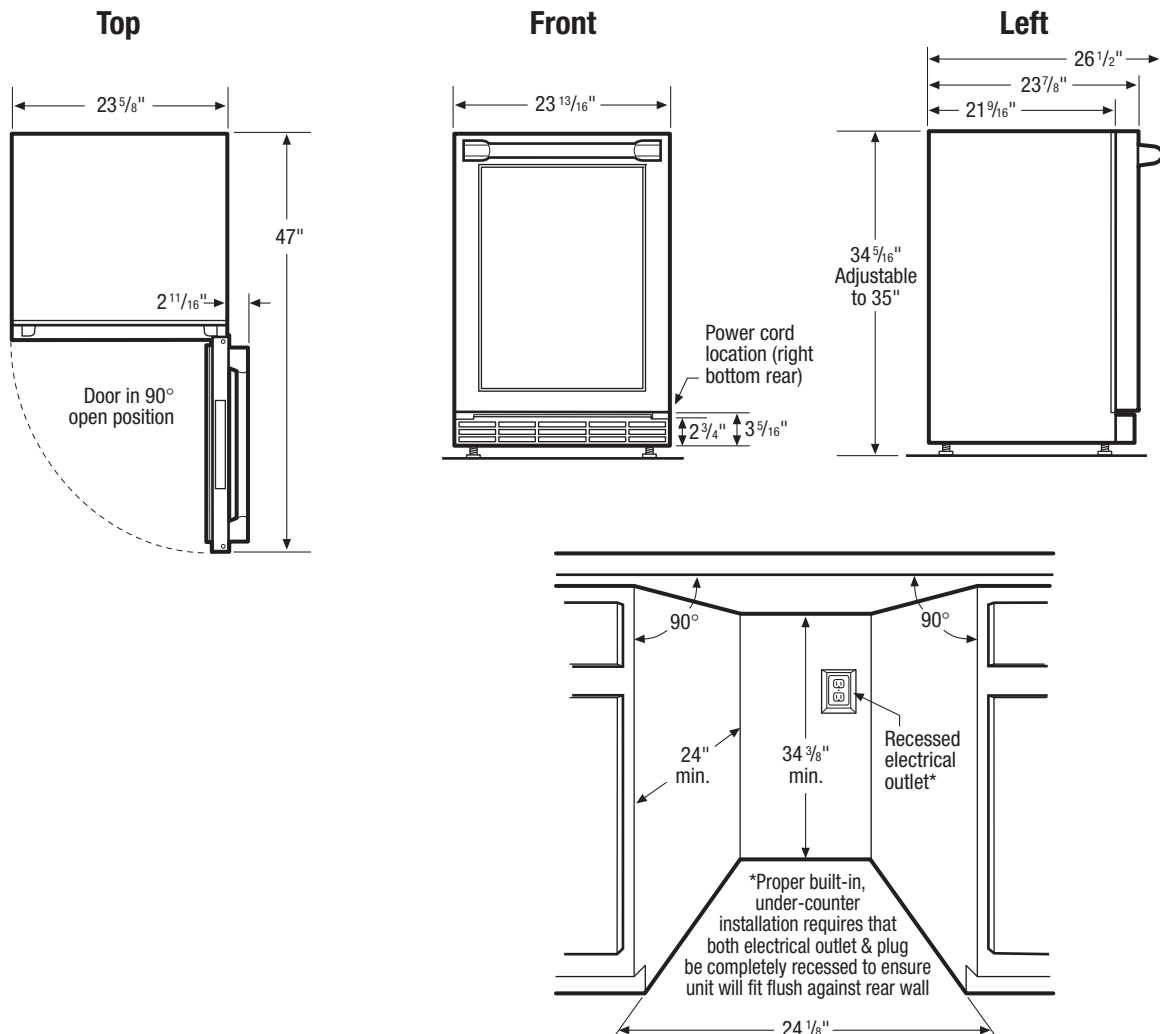
Overall Exterior Dimensions –	
Height (Adjustable)	34-5/16" – 35"
Width	23-13/16"
Depth	23-7/8"
(Including Handle)	26-1/2"
(with 90° Door Open)	47"
Temperature Range	45° F-65° F
Power Supply Connection Location	Right Bottom Rear
Voltage Rating	120V/60Hz/15A
Connected Load (kW Rating) @ 120 Volts‡	0.15
Minimum Circuit Required (Amps)	15
Shipping Weight (Approx.)	166 Lbs.

*When properly installed, meets the appliance standards in the Americans with Disabilities Act and the Architectural Barriers Act Accessibility Guidelines as published by the United States Access Board on June 23, 2004, as amended August 5, 2005.

‡For use on adequately wired 110V, dedicated circuit having 2-wire service with a separate ground wire. Appliance must be grounded for safe operation.

NOTE: Always consult local and national electric codes. Refer to Product Installation Guide for detailed installation instructions on the web at electroluxicon.com.

Specifications subject to change.



Under-Counter Wine Cooler Specifications

- Product Weight – 159 Lbs.
- Voltage Rating – 120V/60Hz/15 Amps
- Connected Load (kW Rating) @ 120 Volts = 0.15kW
(For use on adequately wired 120V, dedicated circuit having 2-wire service with a separate ground wire. Appliance must be grounded for safe operation.)
- Amps @ 120 Volts = 6 Amps
- Electrical cable supplied.
- Always consult local and national electric codes.
- Unit is designed for either freestanding or built-in, under-counter installation.
- Built-in, under-counter installation does not require additional airspace for top, sides or rear of unit.
- Proper built-in, under-counter installation requires that both electrical outlet and plug be completely recessed to ensure unit will fit flush against rear wall.
- To allow for ease of installation and removal, it is recommended that cabinet rough opening dimensions be increased by at least 1/4" over product's dimensions.

- For proper ventilation, unit can NOT be installed behind closed doors; front grille MUST remain unobstructed.
- Must be positioned on flat, level surface, capable of supporting entire weight when fully loaded.
- Leveling legs supplied to adjust height and level unit.
- Do not position unit near any heat source to ensure optimum performance.
- Unit requires zero clearance when installing flush with cabinet or wall.
- When installing against cabinet or wall that extends beyond front edge of unit, 2-7/8" minimum handle clearance required to allow for 90° door swing, providing sliding shelves with necessary clearance. (Door swing can be reversed with installation of Field-Reversible Door Kit – 5303918374).

Note: For planning purposes only. Refer to Product Installation Guide on the web at electroluxicon.com for detailed instructions.

Optional Accessories

- Field-Reversible Door Kit – (PN# 5303918374).

Electrolux Major Appliances, N.A.

USA • 250 Bobby Jones Expressway • Augusta, GA 30907 • 1-877-4electrolux (1-877-435-3287) • electroluxicon.com
CANADA • 5855 Terry Fox Way • Mississauga, ON L5V 3E4 • 1-800-265-8352 • electroluxicon.ca