

# Under-Counter Beverage Center

## EI24BC65GS



### Perfect Set™ Temperature Control

Set a temperature anywhere between 35 and 45 degrees – the Beverage Center will maintain selected temperature to keep your beverages perfectly chilled.



### Luxury-Glide® Shelves

With a ball bearing system, shelves are so smooth they extend effortlessly.



### Luxury-Design® Lighting

Our ramp-up designer LED lighting is as beautiful as it is functional, keeping the contents clearly visible.



### UV-Filtered Glass Door

Tinted window helps protect wine's flavour from deterioration caused by harmful UV rays.

### 24" UNDER-COUNTER SIDE-SWING BEVERAGE CENTER

Capacity	6 Cu. Ft.
Installation Type	Built In/Freestanding

#### Features

IQ-Touch™ Electronic Controls	Yes
Fully Integrated Control Panel	Yes
Blue LED Display	Yes
Luxury-Glide® Full-Extension Glass Shelves	2
Lower Level Display Rack	Yes
Black Soft Coat Wireform Wine Rack	Yes
Metal Front on Racks	Yes
Luxury-Design® Lighting	Yes
Exhibit Lighting with Manual Control	Yes
Perfect Set® Controls	Yes
PureAdvantage® Air Filtration	Yes
Electronic Control Lock	Yes
Display Temp Mode (°C or °F)	Yes
Door Ajar Acoustic Alarm	Yes
High-Temperature Acoustic Alarm	Yes
Power Failure Acoustic Alarm	Yes
Mute Sound Control	Yes
Power-On/Off Control	Yes
Vacation Mode	Yes
Sabbath Mode (Star-K® Certified)	Yes
Frost-Free Performance	Yes
Dynamic Condenser	Yes

#### Additional Features

Signature Soft-Arc Door and Handle Design	Yes
UV-Filtered, Tinted Glass Window	Yes
Field-Reversible Door	Yes
Luxury-Close™ Door	Yes
Adjustable Leveling Legs	4

#### Accessories

Field-Reversible Door Kit – PN# 5303918374	Optional
Maple Wood Trim for Shelves – PN# 241919801	Optional
PureAdvantage® Replacement Air Filter – PN# EAFGBF	Included

#### Colour / UPC (0-12505-)

Stainless Steel (S)	67363-4
---------------------	---------

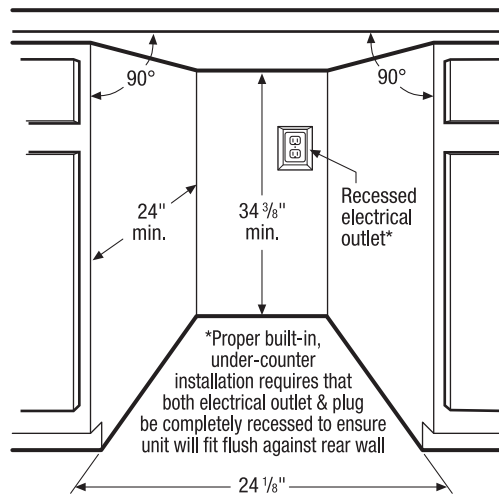
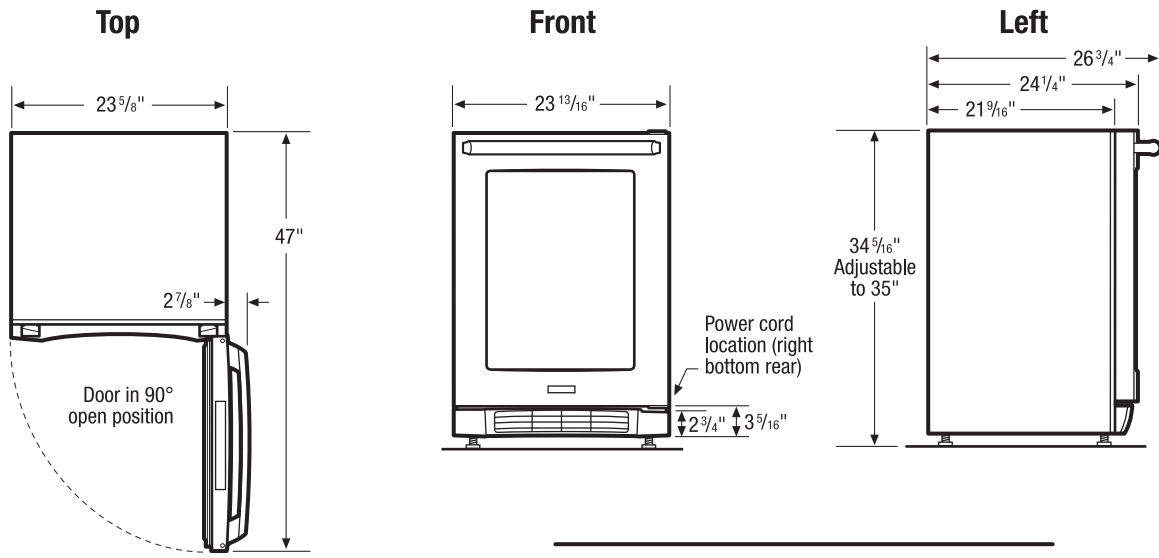
#### Specifications

Product Dimensions –	
Height (Adjustable)	34-5/16" – 35"
Width	23-13/16"
Depth (to Center of Arc) (with 90° Door Open)	24-1/4" 47"
Temperature Range	35° F – 45° F
Power Supply Connection Location	Right Bottom Rear
Voltage Rating	120V/60Hz/15A
Connected Load (kW Rating) @ 120 Volts‡	0.15
Minimum Circuit Required (Amps)	15
Shipping Weight (Approx.)	137 Lbs.

Optional accessories available on the web at [www.electroluxappliances.com](http://www.electroluxappliances.com).

‡For use on adequately wired 120V, dedicated circuit having 2-wire service with a separate ground wire. Appliance must be grounded for safe operation.

NOTE: Always consult local and/or national electric codes. Refer to Product Installation Guide for detailed installation instructions on the web at [www.electroluxappliances.ca](http://www.electroluxappliances.ca). Specifications subject to change.



## Under-Counter Beverage Center Specifications

- Product Weight – 128 Lbs.
- Voltage Rating – 120V/60Hz/15 Amps
- Connected Load (kW Rating) @ 120 Volts = 0.15kW (For use on adequately wired 120V, dedicated circuit having 2-wire service with a separate ground wire. Appliance must be grounded for safe operation.)
- Amps @ 120 Volts = 6 Amps
- Electrical cable supplied.
- Always consult local and national electric codes.
- Unit is designed for either freestanding or built-in, under-counter installation.
- Built-in, under-counter installation does not require additional airspace for top, sides or rear of unit.
- Proper built-in, under-counter installation requires that both electrical outlet and plug be completely recessed to ensure unit will fit flush against rear wall.
- To allow for ease of installation and removal, it is recommended that cabinet rough opening dimensions be increased by at least 1/4" over product's dimensions.

- For proper ventilation, unit can NOT be installed behind closed doors; front grille MUST remain unobstructed.
- Must be positioned on flat, level surface, capable of supporting entire weight when fully loaded.
- Leveling legs supplied to adjust height and level unit.
- Do not position unit near any heat source to ensure optimum performance.
- Unit requires zero clearance when installing flush with cabinet or wall.
- When installing against cabinet or wall that extends beyond front edge of unit, 2-7/8" minimum handle clearance required to allow for 90° door swing, providing sliding shelves with necessary clearance. (Door swing can be reversed with installation of Field-Reversible Door Kit – PN# 5303918374).

**Note: For planning purposes only. Refer to Product Installation Guide on the web at [electroluxappliances.ca](http://electroluxappliances.ca) or supplied with product for detailed instructions.**

### Optional Accessories

- Field-Reversible Door Kit – (PN# 5303918374).
- Maple Wood Trim for Shelves – (PN# 241919801).