

# Single Wall Ovens

EI27EW35J S, EI27EW35K W, EI27EW35K B



### Luxury-Glide® Oven Rack

With a ball bearing system, oven rack is so smooth it extends effortlessly.



### Perfect Convection3®

Our convection technology features a third convection element for consistently even results, up to 30% faster cooking times and even more baking options.



### Luxury-Design® Lighting

Our ramp-up designer halogen lighting is as beautiful as it is functional.



### Sure-2-Fit® Capacity

Coordinate an entire meal — our oven features 3.5 cu. ft. of cooking space with three adjustable baking racks.

## 27" ELECTRIC SINGLE WALL OVENS

Configuration	Single
---------------	--------

### Control Panel Features

IQ-Touch™ Electronic Oven Control	Yes
Keypad Entry of Time & Temperature	Yes
Electronic Clock & Timer	Yes
Temperature Display	Yes
Automatic Oven (Delay, Cook & Off)	Yes
Lockout	Yes
Automatic Oven Shutoff – 12 Hour	Yes
Programmable for °F or °C	Yes
Luxury-Design® Halogen Oven Light Touch Pad	Yes

### Oven Features

Oven Cavity	3.5 Cu. Ft.
Hidden Bake Element	Yes
Electric Bake Element – 1450 Watts	Yes
Six-Pass Broil Element – 3400 Watts	Yes
Convection Element – 2500 Watts	Yes
Cobalt Blue Interior	Yes
Self-Clean Options with Door Lock	3
Perfect Convection3® with Variable 2-Speed Fan	Yes
Cooking Modes – Bake, Broil, Convection Bake, Convection Roast, Convection Broil, Keep Warm, Slow Cook	7
Baking Options – Dehydrate, Bread Proof, My Favorite, Rapid Preheat, Delay Bake, Convection Convert	6
Luxury-Design® Lighting with Dual 40W Halogen Bulbs	Yes
Luxury-Glide® Racks	1
Conventional Racks	2
Convection Roasting Rack	Yes

### Additional Features

Signature Soft-Arc Oven Door and Handle Design	Yes
Luxury-Hold™ Oven Door	Yes
Extra-Large Glass Window	Yes
Sabbath Mode (Star-K® Certified)	Yes
A.D.A. Compliant*	Yes

### Accessories

Porcelain Broiler Pan and Insert	Included
3"-high Bottom Trim: S – PN# 903114-9020, W – PN# 903114-9011, B – PN# 903114-9010	Optional

### Specifications

Color –	
Stainless Steel	S
White	W
Black	B
Oven Cavity Dimensions –	
Height	16-1/2"
Width	20-1/2"
Depth	18-1/32"
Product Dimensions –	
Height (Including 1" Bottom Trim)	29"
Width	27"
Depth (to Front Door Corner) (with 90° Door Open)	24-1/2" 44"
Power Supply Connection Location	Left Bottom Rear
Connected Load (kW Rating) @ 240/208 Volts	3.4/2.6
Amps @ 240/208 Volts	14.2/12.6
Minimum Circuit Required (Amps)	20
Armored Electrical Cable	Included
Approved for Under-Counter Installation**	Yes
Shipping Weight (Approx.)	168 Lbs.

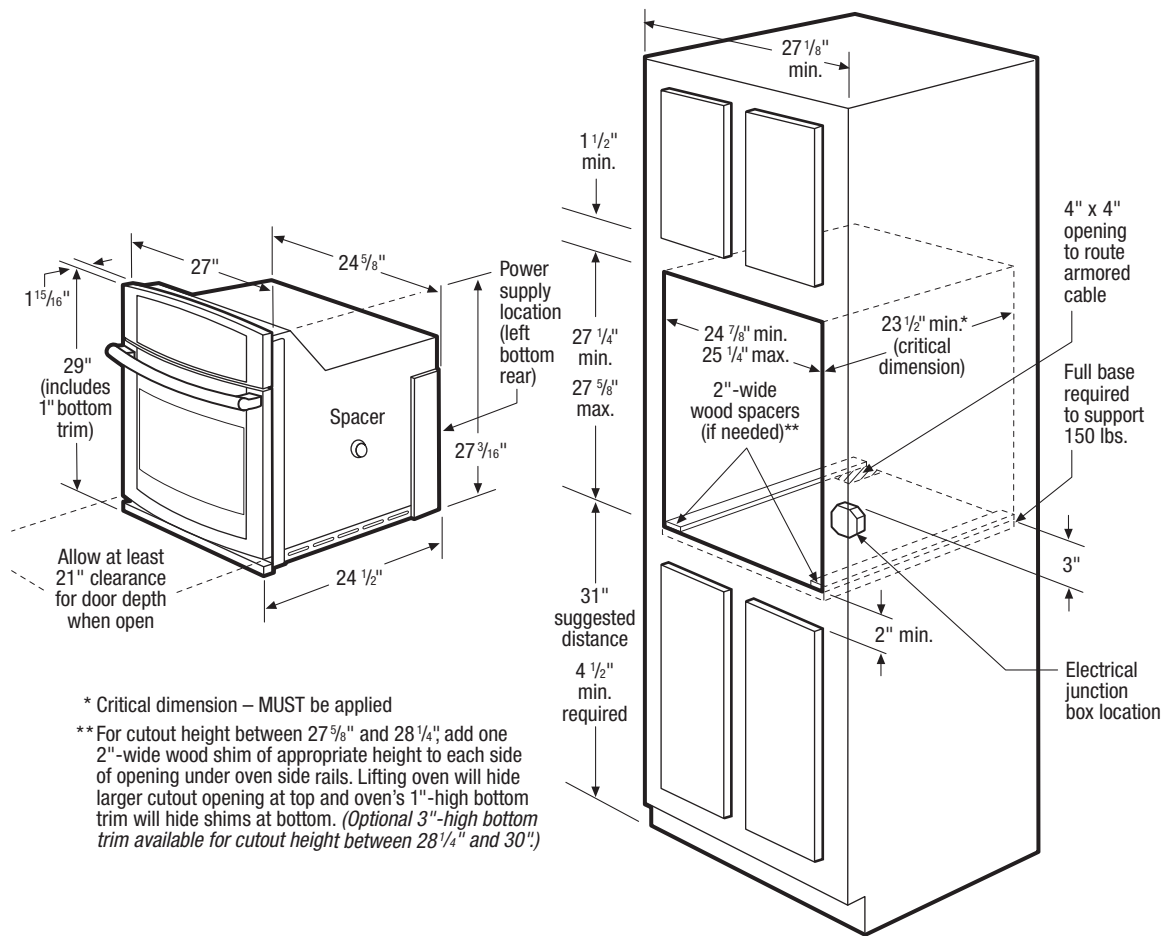
\*When properly installed, meets the appliance standards in the Americans with Disabilities Act and the Architectural Barriers Act Accessibility Guidelines as published by the United States Access Board on June 23, 2004, as amended August 5, 2005.

\*\*Single Wall Oven is approved to be used beneath Electrolux gas cooktop models EW30GC60I, EW30GC55G and EW36GC55G; and Electrolux electric cooktop models EW30EC55G, EW36EC55G, EW30IC60I, EW36IC60I, EW30CC55G and EW36CC55G.

NOTE: Always consult local and national electric codes. Refer to Product Installation Guide for detailed installation instructions on the web at [electroluxappliances.com](http://electroluxappliances.com). Specifications subject to change.

# Single Wall Ovens

EI27EW35J S, EI27EW35K W, EI27EW35K B



## 27" Electric Single Wall Oven Specifications

- Product Weight – 150 Lbs.
- Single phase 3- or 4-wire cable, 120/240 or 120/208 Volt, 60 Hertz AC only electrical supply with ground required on separate circuit fused on both sides of line.
- Connected Load (kW Rating) @ 240/208 Volts = 3.4/2.6kW
- Amps @ 240/208 Volts = 14.2/12.6 Amps
- Recommended Circuit Breaker – 20 Amps
- Always consult local and national electric codes.
- Minimum 21" clearance for oven door depth when open.
- Suggested distance from floor is 31". Minimum required distance is 4-1/2".
- Minimum 23-1/2" deep cutout dimension is critical for proper installation, to ensure that oven's faceplate will fit flush against cabinet front.
- To adapt oven to fit cutout height between 27-5/8" and 28-1/4", add one 2"-wide wood shim of appropriate height to each side of opening under oven side rails. Lifting oven will hide larger cutout opening at top and oven's 1"-high bottom trim will hide shims at bottom. (Standard 1"-High Bottom Trim included.)
- To adapt oven to fit cutout height between 28-1/4" and 30", optional 3"-High Bottom Trim available.
- Full oven base of solid plywood or similar material required, capable of supporting 150 Lbs.
- Base must be level and cabinet front must be square.

- Single Wall Ovens are NOT approved to be used in stackable or side-by-side installation.
- Single Wall Ovens are approved to be used alone in under-counter installation or beneath Electrolux gas cooktop models EW30GC60I, EW30GC55G and EW36GC55G; and electric cooktop models EW30EC55G, EW36EC55G, EW30IC60I, EW36IC60I, EW30CC55G and EW36CC55G. (Refer to Gas or Electric Cooktop Installation Over 30"/27" Electric Single Wall Oven Specifications pages on web.)
- Single Wall Ovens are approved to be used in combination with any Electrolux Warmer Drawer. (Refer to model-specific Warmer Drawer product page for Combination Installation Specifications.)
- Single Wall Ovens are approved to be used in combination with any Electrolux Built-In Microwave Oven. (Refer to model-specific Combination Installation Specifications pages on web.)

**Note: For planning purposes only. Refer to Product Installation Guide on the web at [electroluxappliances.com](http://electroluxappliances.com) for detailed instructions.**

### Optional Accessories

- 3"-High Bottom Trim: S – (PN# 903114-9020), W – (PN# 903114-9011), B – (PN# 903114-9010).

## Electrolux Major Appliances, N.A.

USA • 10200 David Taylor Drive • Charlotte, NC 28262 • 1-877-4electrolux (1-877-435-3287) • [electroluxappliances.com](http://electroluxappliances.com)  
 CANADA • 5855 Terry Fox Way • Mississauga, ON L5V 3E4 • 1-800-265-8352 • [electroluxappliances.ca](http://electroluxappliances.ca)

EI27EW35K 07/11

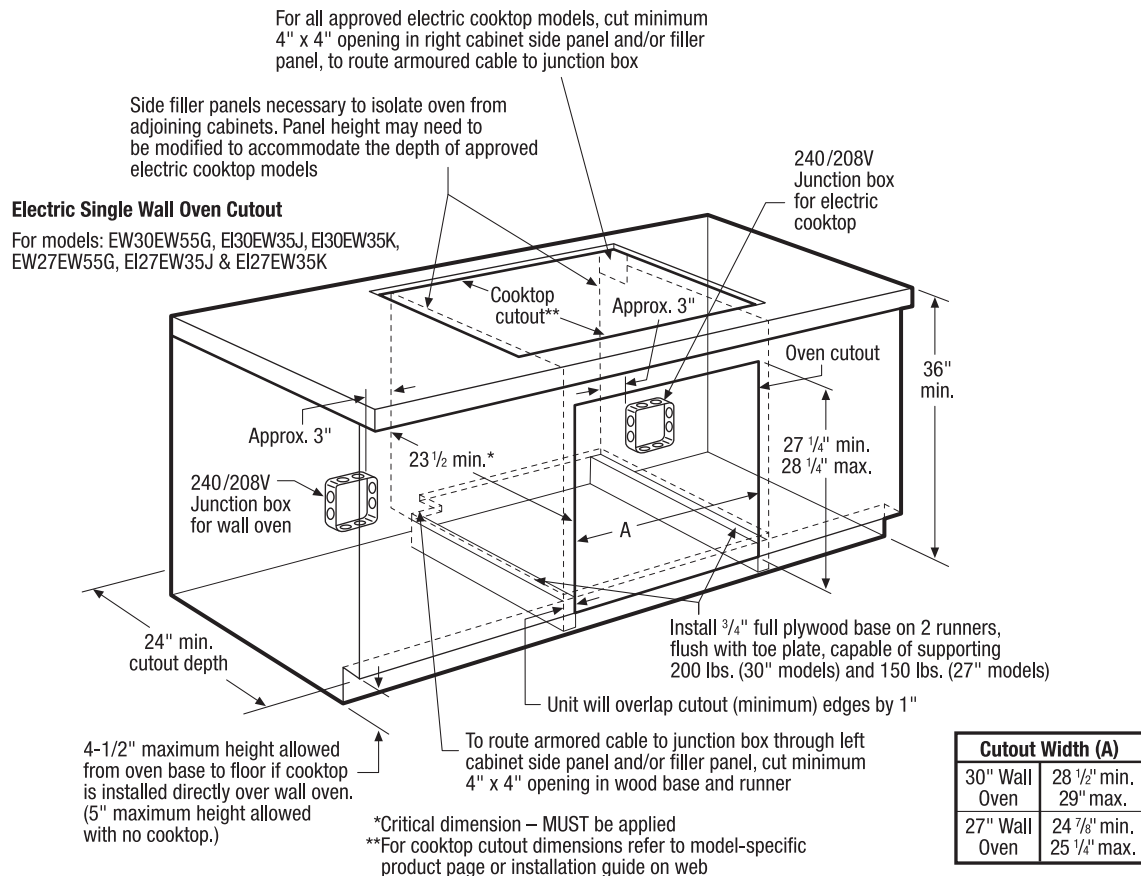
© 2011 Electrolux Home Products, Inc.



High standards of quality at Electrolux Home Products, Inc. mean we are constantly working to improve our products. We reserve the right to change specifications or discontinue models without notice.

Printed in the U.S.A.

# Electric Cooktop Installation Over 30" / 27" Electric Single Wall Oven



## 30" & 27" Electric Single Wall Ovens Under-Counter Installation Specifications

- Product Weights – (EW30EW55G, EI30EW35J and EI30EW35K) 200 Lbs. / (EW27EW55G, EI27EW35J and EI27EW35K) 150 Lbs.
- Single phase 3- or 4-wire cable, 120/240 or 120/208 Volt, 60 Hertz AC only electrical supply with ground required on separate circuit fused on both sides of line.
- Connected Load (kW Rating) @ 240/208 Volts = (30") 4.0/3.0kW / (27") 3.4/2.6kW
- Amps @ 240/208 Volts = (30") 17.0/14.5 Amps / (27") 14.2/12.6 Amps
- Recommended Circuit Breaker – 20 Amps
- Always consult local and national electric codes.
- Minimum 21" clearance for oven door depth when open.
- Minimum 23-1/2" deep cutout dimension is critical for proper installation, to ensure that oven's faceplate will fit flush against cabinet front.
- Full oven base of solid plywood or similar material required, capable of supporting 200 Lbs. (30" models) or 150 Lbs. (27" models). Install over two runners and flush with toe plate.
- Base must be level and cabinet front must be square.
- Allow 5" maximum height from oven base to floor, if NO cooktop is installed directly over wall oven.

## Electric Cooktop Installation Over 30" / 27" Electric Single Wall Oven Specifications

- Electrolux Single Wall Oven models EW30EW55G, EI30EW35J, EI30EW35K, EW27EW55G, EI27EW35J and EI27EW35K are approved to be used beneath Electrolux cooktop models EW36EC55G, EW30EC55G, EW36IC60I, EW30IC60I, EW36CC55G and EW30CC55G. For detailed Electric or Induction Hybrid Cooktop installation, refer to model-specific product page and installation guide on web.
- Side filler panels necessary to isolate oven from adjoining cabinets. Panel height may need to be modified to accommodate the depth of approved electric cooktop models.
  - To route armoured cable to junction box, cut minimum 4" x 4" opening in right cabinet side panel.
  - Allow 4-1/2" maximum height from oven base to floor, if cooktop is installed directly over wall oven.

**Note: For planning purposes only. Refer to Product Installation Guide on the web at [electroluxappliances.com](http://electroluxappliances.com) for detailed instructions.**

## Electrolux Major Appliances, N.A.

USA • 10200 David Taylor Drive • Charlotte, NC 28262 • 1-877-4electrolux (1-877-435-3287) • [electroluxappliances.com](http://electroluxappliances.com)  
CANADA • 5855 Terry Fox Way • Mississauga, ON L5V 3E4 • 1-800-265-8352 • [electroluxappliances.ca](http://electroluxappliances.ca)



# 27" Combination Installation – Built-In Microwave/Single Wall Oven



For detailed product dimensions and installation specifications, refer to model-specific product page and installation guide on web

## 27" Built-In Microwave Cutout

For model:  
EW27M055H

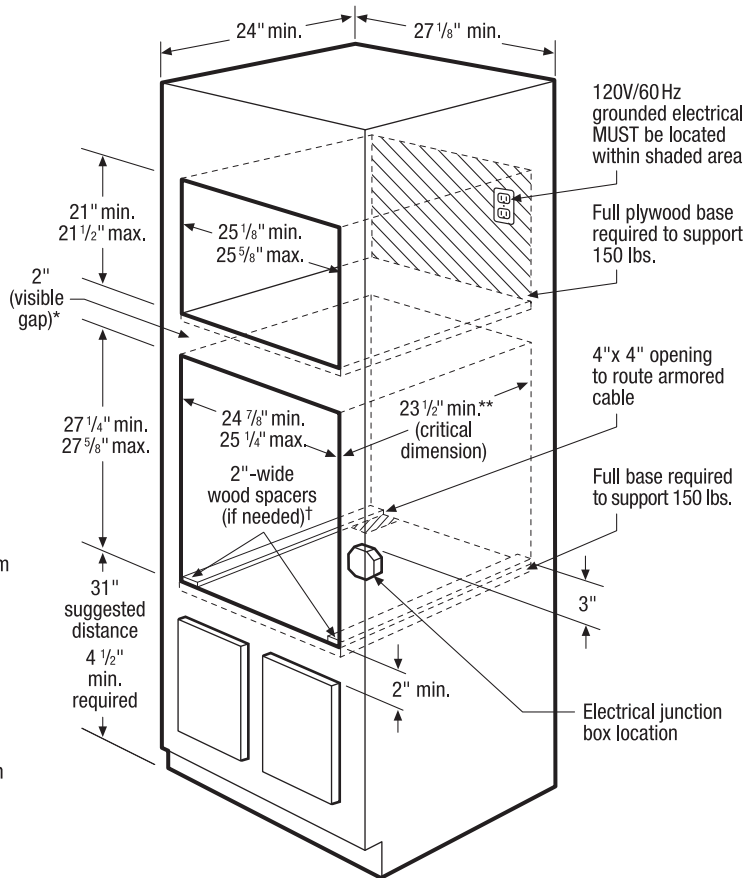
## 27" Electric Single Wall Oven Cutout

For models:  
EW27EW55G  
EI27EW35J  
EI27EW35K

\* Minimum 2 1/8" clearance required from bottom of Built-In Microwave cutout to top edge of Wall Oven's faceplate, leaving a 2" visible gap between both product faceplates.

\*\* Critical dimension – MUST be applied

† For cutout height between 27 5/8" and 28 1/4" add one 2"-wide wood shim of appropriate height to each side of opening under oven side rails. Lifting oven will hide larger cutout opening at top and oven's 1"-high bottom trim will hide shims at bottom. (Optional 3"-high bottom trim available for cutout height between 28 1/4" and 30")



## 27" Combination Installation Specifications

- Always consult local and national electric codes. (Refer to product-specific electrical specifications on this page.)
- Minimum 23-1/2" deep cutout dimension is critical for proper combination installation, to ensure that each built-in product's faceplate will fit flush against cabinet front.
- Bases must be level and cabinet front must be square.
- Minimum 4-1/2" required distance from bottom of Wall Oven cutout to floor, 31" suggested.
- Respect critical dimensions as noted for proper installation of built-in products.
- Minimum 21" clearance needed for Wall Oven door depth when open.

## 27" Built-In Microwave Specifications

- Product Weight – 79 Lbs.
- Voltage Rating – 120V/60Hz/15 Amps
- Connected Load (kW Rating) @ 120 Volts = 1.6kW (For use on adequately wired 120V, dedicated circuit having 2-wire service with a separate ground wire. Appliance must be grounded for safe operation.)
- Amps @ 120 Volts = 13.7 Amps
- Full oven base of solid plywood or similar material required, capable of supporting 150 Lbs.
- Minimum 2-1/8" clearance required from bottom of Built-In Microwave cutout to top edge of Wall Oven's faceplate, leaving a 2" visible gap between both product faceplates.

## 27" Electric Single Wall Oven Specifications

- Product Weight – 150 Lbs.
- Single phase 3- or 4-wire cable, 120/240 or 120/208 Volt, 60 Hertz AC only electrical supply with ground required on separate circuit fused on both sides of line.
- Connected Load (kW Rating) @ 240/208 Volts = 3.4/2.6kW
- Amps @ 240/208 Volts = 14.2/12.6 Amps
- Full oven base of solid plywood or similar material required, capable of supporting 150 Lbs.
- To adapt oven to fit cutout height between 27-5/8" and 28-1/4", add one 2"-wide wood shim of appropriate height to each side of opening under oven side rails. Lifting oven will hide larger cutout opening at top and oven's 1"-high bottom trim will hide shims at bottom. (Standard 1"-High Bottom Trim included.)
- To adapt oven to fit cutout height between 28-1/4" and 30", optional 3"-High Bottom Trim available.

**Note: For planning purposes only. Refer to Product Installation Guide on the web at [electroluxappliances.com](http://electroluxappliances.com) for detailed instructions.**

## Electrolux Major Appliances, N.A.

USA • 10200 David Taylor Drive • Charlotte, NC 28262 • 1-877-4electrolux (1-877-435-3287) • [electroluxappliances.com](http://electroluxappliances.com)  
CANADA • 5855 Terry Fox Way • Mississauga, ON L5V 3E4 • 1-800-265-8352 • [electroluxappliances.ca](http://electroluxappliances.ca)

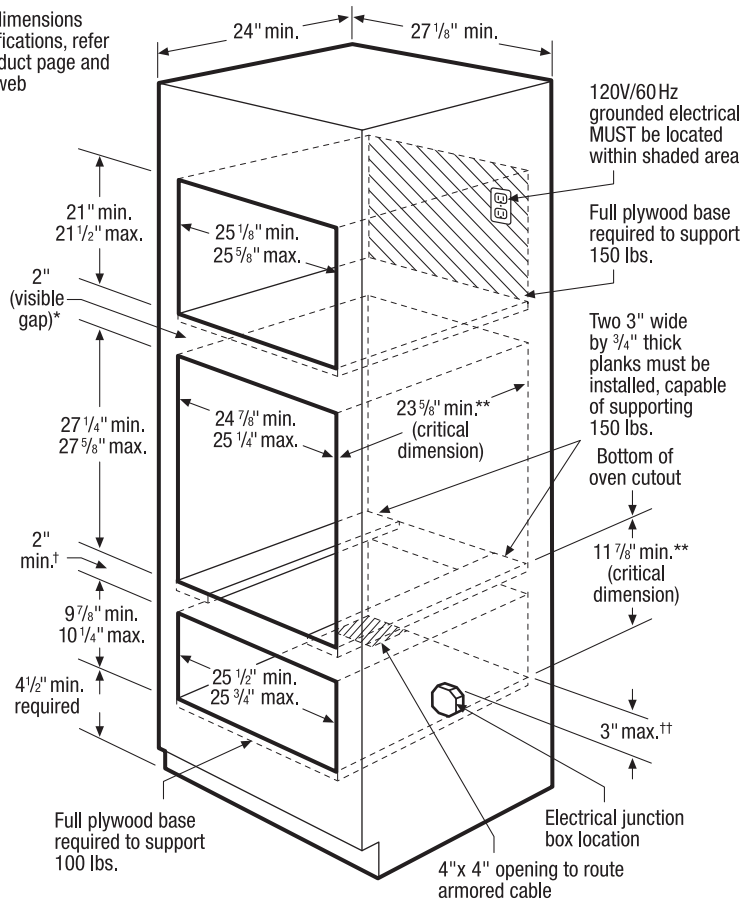
# 27" Combination Installation – Built-In Microwave/Single Wall Oven/Warmer Drawer



For detailed product dimensions and installation specifications, refer to model-specific product page and installation guide on web

## 27" Built-In Microwave Cutout

For model:  
EW27M055H



\* Minimum 2 1/8" clearance required from bottom of Built-In Microwave cutout to top edge of Wall Oven's faceplate, leaving a 2" visible gap between both product faceplates.

\*\* Critical dimension – MUST be applied

† Maximum height depends on critical dimension (11 7/8")

†† Electrical junction box for Wall Oven must be lower than the Warmer Drawer cutout

## 27" Combination Installation Specifications

- Always consult local and national electric codes. (Refer to product-specific electrical specifications on this page.)
- Minimum 23-5/8" deep cutout dimension is critical for proper combination installation, to ensure that each built-in product's faceplate will fit flush against cabinet front.
- Bases must be level and cabinet front must be square.
- Minimum 4-1/2" required distance from bottom of Warmer Drawer cutout to floor.
- Respect critical dimensions as noted for proper installation of built-in products.
- Minimum 21" clearance needed for Wall Oven door depth when open.

## 27" Built-In Microwave Specifications

- Product Weight – 79 Lbs.
- Voltage Rating – 120V/60Hz/15 Amps
- Connected Load (kW Rating) @ 120 Volts = 1.6kW (For use on adequately wired 120V, dedicated circuit having 2-wire service with a separate ground wire. Appliance must be grounded for safe operation.)
- Amps @ 120 Volts = 13.7 Amps
- Full oven base of solid plywood or similar material required, capable of supporting 150 Lbs.
- Minimum 2-1/8" clearance required from bottom of Built-In Microwave cutout to top edge of Wall Oven's faceplate, leaving a 2" visible gap between both product faceplates.

## 27" Electric Single Wall Oven Specifications

- Product Weight – 150 Lbs.
- Single phase 3- or 4-wire cable, 120/240 or 120/208 Volt, 60 Hertz AC only electrical supply with ground required on separate circuit fused on both sides of line.
- Connected Load (kW Rating) @ 240/208 Volts = 3.4/2.6kW
- Amps @ 240/208 Volts = 14.2/12.6 Amps
- To support Wall Oven, two 3"-wide x 3/4"-thick planks must be installed as a base, capable of supporting 150 Lbs. Do NOT use full base, since planks are necessary to allow for proper air displacement.

## 27" Warmer Drawer Specifications

- Product Weight – 55 Lbs.
- Voltage Rating – 120V/450W/60Hz/15 Amps
- Connected Load (kW Rating) @ 120 Volts = 0.45kW (For use on adequately wired 120V, dedicated circuit having 2-wire service with a separate ground wire. Appliance must be grounded for safe operation.)
- Amps @ 120V = 3.75 Amps
- Full base of solid plywood or similar material required, capable of supporting 100 Lbs.

**Note: For planning purposes only. Refer to Product Installation Guide on the web at [electroluxappliances.com](http://electroluxappliances.com) for detailed instructions.**

## Electrolux Major Appliances, N.A.

USA • 10200 David Taylor Drive • Charlotte, NC 28262 • 1-877-4electrolux (1-877-435-3287) • [electroluxappliances.com](http://electroluxappliances.com)  
CANADA • 5855 Terry Fox Way • Mississauga, ON L5V 3E4 • 1-800-265-8352 • [electroluxappliances.ca](http://electroluxappliances.ca)

# 27" Combination Installation – Built-In Microwave/Single Wall Oven



For detailed product dimensions and installation specifications, refer to model-specific product page and installation guide on web

## 27" Built-In Microwave Cutout

For model:  
EI24M045I (with 27" Trim Kit)

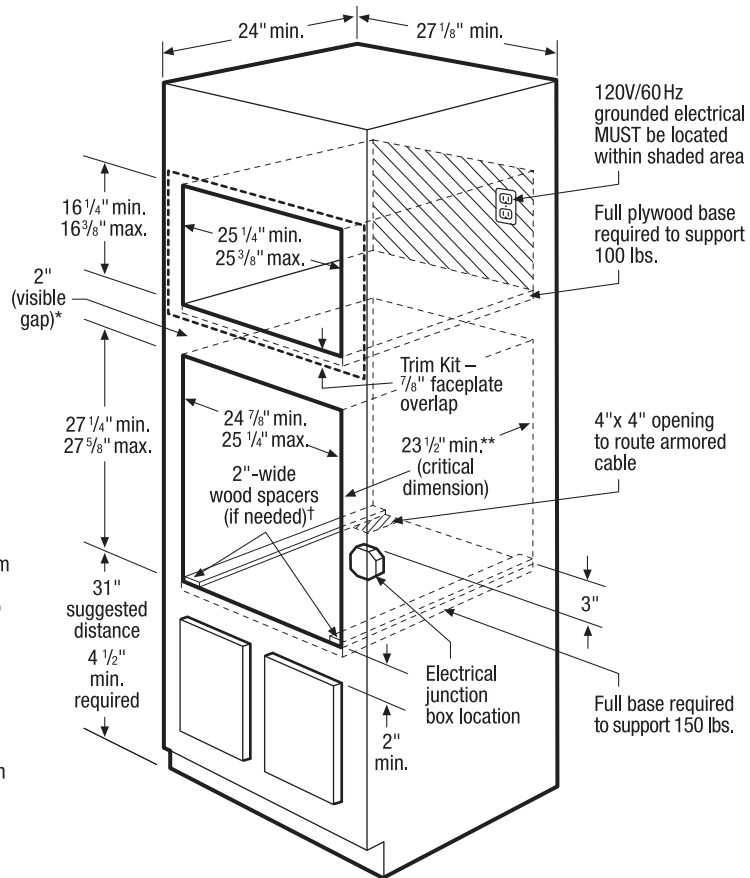
## 27" Electric Single Wall Oven Cutout

For models:  
EW27EW55G  
EI27EW35J  
EI27EW35K

\* Minimum 2<sup>7</sup>/<sub>8</sub>" clearance required from bottom of Built-In Microwave cutout to top edge of Wall Oven's faceplate, leaving a 2" visible gap between both product faceplates.

\*\* Critical dimension – MUST be applied

† For cutout height between 27<sup>5</sup>/<sub>8</sub>" and 28<sup>1</sup>/<sub>4</sub>" add one 2"-wide wood shim of appropriate height to each side of opening under oven side rails. Lifting oven will hide larger cutout opening at top and oven's 1"-high bottom trim will hide shims at bottom. (Optional 3"-high bottom trim available for cutout height between 28<sup>1</sup>/<sub>4</sub>" and 30")



## 27" Combination Installation Specifications

- Always consult local and national electric codes. (Refer to product-specific electrical specifications on this page.)
- Minimum 23-1/2" deep cutout dimension is critical for proper combination installation, to ensure that each built-in product's faceplate will fit flush against cabinet front.
- Bases must be level and cabinet front must be square.
- Minimum 4-1/2" required distance from bottom of Wall Oven cutout to floor, 31" suggested.
- Respect critical dimensions as noted for proper installation of built-in products.
- Minimum 21" clearance needed for Wall Oven door depth when open.

## 27" Built-In Microwave Specifications

- Product Weight – 48 Lbs.
- Voltage Rating – 120V/60Hz/15 or 20 Amps
- Connected Load (kW Rating) @ 120 Volts = 1.5kW (For use on adequately wired 120V, dedicated circuit having 2-wire service with a separate ground wire. Appliance must be grounded for safe operation.)
- Amps @ 120 Volts = 13 Amps
- Full oven base of solid plywood or similar material required, capable of supporting 100 Lbs.
- Minimum 2-7/8" clearance required from bottom of Built-In Microwave cutout to top edge of Wall Oven's faceplate, leaving a 2" visible gap between both product faceplates.

## 27" Electric Single Wall Oven Specifications

- Product Weight – 150 Lbs.
- Single phase 3- or 4-wire cable, 120/240 or 120/208 Volt, 60 Hertz AC only electrical supply with ground required on separate circuit fused on both sides of line.
- Connected Load (kW Rating) @ 240/208 Volts = 3.4/2.6kW
- Amps @ 240/208 Volts = 14.2/12.6 Amps
- Full oven base of solid plywood or similar material required, capable of supporting 150 Lbs.
- To adapt oven to fit cutout height between 27-5/8" and 28-1/4", add one 2"-wide wood shim of appropriate height to each side of opening under oven side rails. Lifting oven will hide larger cutout opening at top and oven's 1"-high bottom trim will hide shims at bottom. (Standard 1"-High Bottom Trim included.)
- To adapt oven to fit cutout height between 28-1/4" and 30", optional 3"-High Bottom Trim available.

**Note: For planning purposes only. Refer to Product Installation Guide on the web at [electroluxappliances.com](http://electroluxappliances.com) for detailed instructions.**

## Electrolux Major Appliances, N.A.

USA • 10200 David Taylor Drive • Charlotte, NC 28262 • 1-877-4electrolux (1-877-435-3287) • [electroluxappliances.com](http://electroluxappliances.com)  
CANADA • 5855 Terry Fox Way • Mississauga, ON L5V 3E4 • 1-800-265-8352 • [electroluxappliances.ca](http://electroluxappliances.ca)

# 27" Combination Installation – Built-In Microwave/Single Wall Oven/Warmer Drawer



For detailed product dimensions and installation specifications, refer to model-specific product page and installation guide on web

## 27" Built-In Microwave Cutout

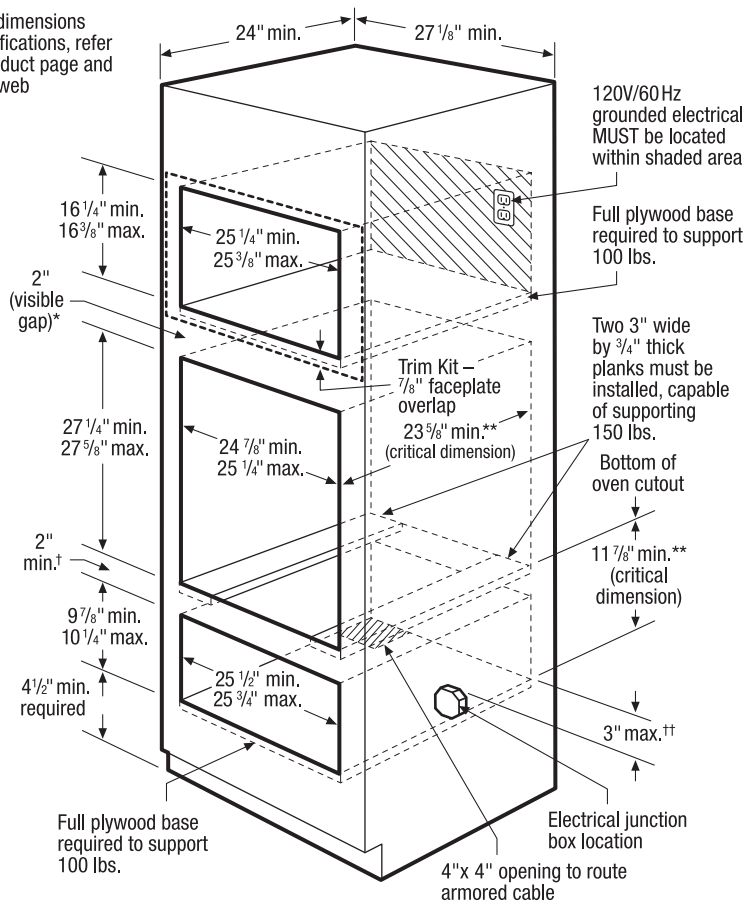
For model:  
EI24M045I  
(with 27" Trim Kit)

## 27" Electric Single Wall Oven Cutout

For models:  
EW27EW55G  
EI27EW35J  
EI27EW35K

## 27" Warmer Drawer Cutout

For model:  
EW27WD55G



\* Minimum 2 7/8" clearance required from bottom of Built-In Microwave cutout to top edge of Wall Oven's faceplate, leaving a 2" visible gap between both product faceplates.

\*\* Critical dimension – MUST be applied

† Maximum height depends on critical dimension (11 7/8")

†† Electrical junction box for Wall Oven must be lower than the Warmer Drawer cutout

## 27" Combination Installation Specifications

- Always consult local and national electric codes. (Refer to product-specific electrical specifications on this page.)
- Minimum 23-5/8" deep cutout dimension is critical for proper combination installation, to ensure that each built-in product's faceplate will fit flush against cabinet front.
- Bases must be level and cabinet front must be square.
- Minimum 4-1/2" required distance from bottom of Warmer Drawer cutout to floor.
- Respect critical dimensions as noted for proper installation of built-in products.
- Minimum 21" clearance needed for Wall Oven door depth when open.

## 27" Built-In Microwave Specifications

- Product Weight – 48 Lbs.
- Voltage Rating – 120V/60Hz/15 or 20 Amps
- Connected Load (kW Rating) @ 120 Volts = 1.5kW (For use on adequately wired 120V, dedicated circuit having 2-wire service with a separate ground wire. Appliance must be grounded for safe operation.)
- Amps @ 120 Volts = 13 Amps
- Full oven base of solid plywood or similar material required, capable of supporting 100 Lbs.
- Minimum 2-7/8" clearance required from bottom of Built-In Microwave cutout to top edge of Wall Oven's faceplate, leaving a 2" visible gap between both product faceplates.

## 27" Electric Single Wall Oven Specifications

- Product Weight – 150 Lbs.
- Single phase 3- or 4-wire cable, 120/240 or 120/208 Volt, 60 Hertz AC only electrical supply with ground required on separate circuit fused on both sides of line.
- Connected Load (kW Rating) @ 240/208 Volts = 3.4/2.6kW
- Amps @ 240/208 Volts = 14.2/12.6 Amps
- To support Wall Oven, two 3"-wide x 3/4"-thick planks must be installed as a base, capable of supporting 150 Lbs. Do NOT use full base, since planks are necessary to allow for proper air displacement.

## 27" Warmer Drawer Specifications

- Product Weight – 55 Lbs.
- Voltage Rating – 120V/450W/60Hz/15 Amps
- Connected Load (kW Rating) @ 120 Volts = 0.45kW (For use on adequately wired 120V, dedicated circuit having 2-wire service with a separate ground wire. Appliance must be grounded for safe operation.)
- Amps @ 120V = 3.75 Amps
- Full base of solid plywood or similar material required, capable of supporting 100 Lbs.

**Note: For planning purposes only. Refer to Product Installation Guide on the web at [electroluxappliances.com](http://electroluxappliances.com) for detailed instructions.**

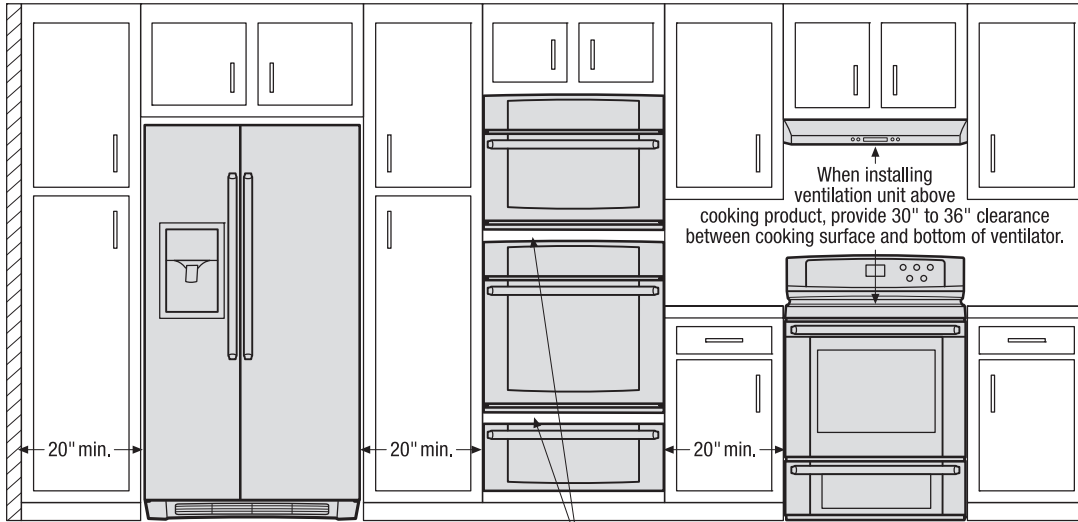
## Electrolux Major Appliances, N.A.

USA • 10200 David Taylor Drive • Charlotte, NC 28262 • 1-877-4electrolux (1-877-435-3287) • [electroluxappliances.com](http://electroluxappliances.com)  
CANADA • 5855 Terry Fox Way • Mississauga, ON L5V 3E4 • 1-800-265-8352 • [electroluxappliances.ca](http://electroluxappliances.ca)



Use these dimensions and clearance instructions for planning purposes only. For detailed installation instructions, refer to installation guide, packed with product, or on the web at [electroluxappliances.com](http://electroluxappliances.com).

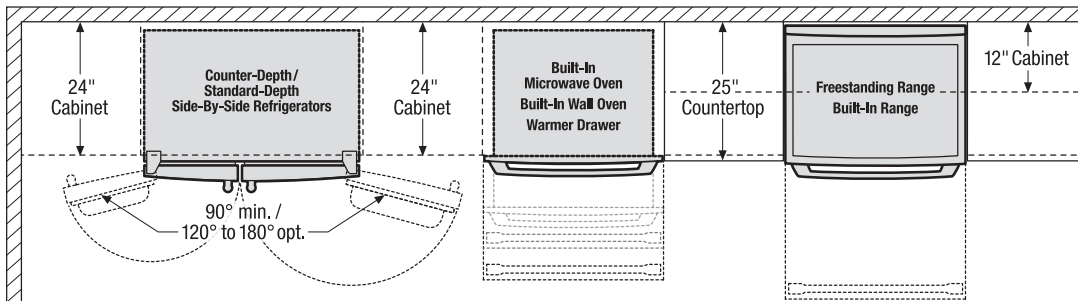
**Front**



When installing appliances adjacent to each other, 20" minimum distance between each appliance required.

When installing built-in cooking appliances in combination, 2" minimum visible gap between appliance faceplates required.

**Top**

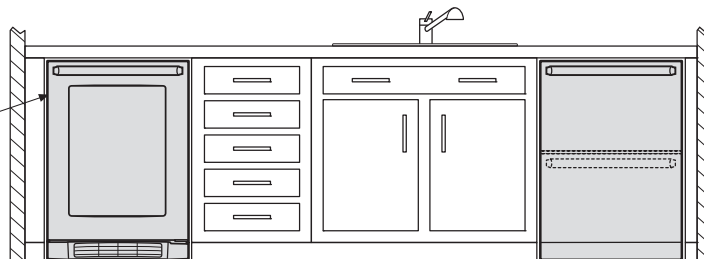


When installing refrigerator adjacent to wall, cabinet or another appliance that extends beyond front edge of unit, 20" minimum clearance recommended to allow for optimum 120° to 180° door swing, providing complete drawer/crisper access and removal.

When installing appliance with sliding drawer or drop-down door directly across from obstructions, provide sufficient clearance for drawer extension or door swing.

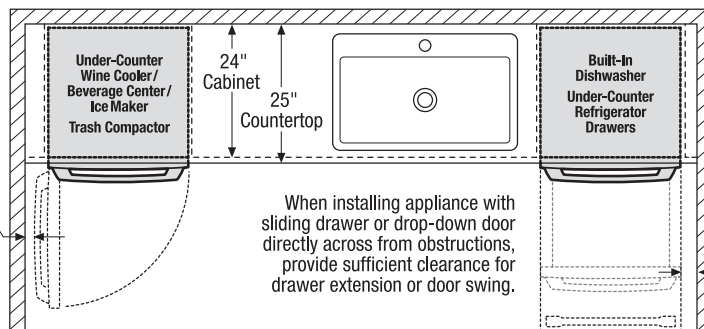
**Front**

To ensure optimum performance, avoid installing refrigeration appliances in direct sunlight or near heat source.



**Top**

When installing appliance with side-swing door adjacent to wall, cabinet, or other obstruction that extends beyond front edge of appliance, door swing and handle clearance must be sufficient to allow access to appliance interior.



When installing appliance with sliding drawer or drop-down door directly across from obstructions, provide sufficient clearance for drawer extension or door swing.

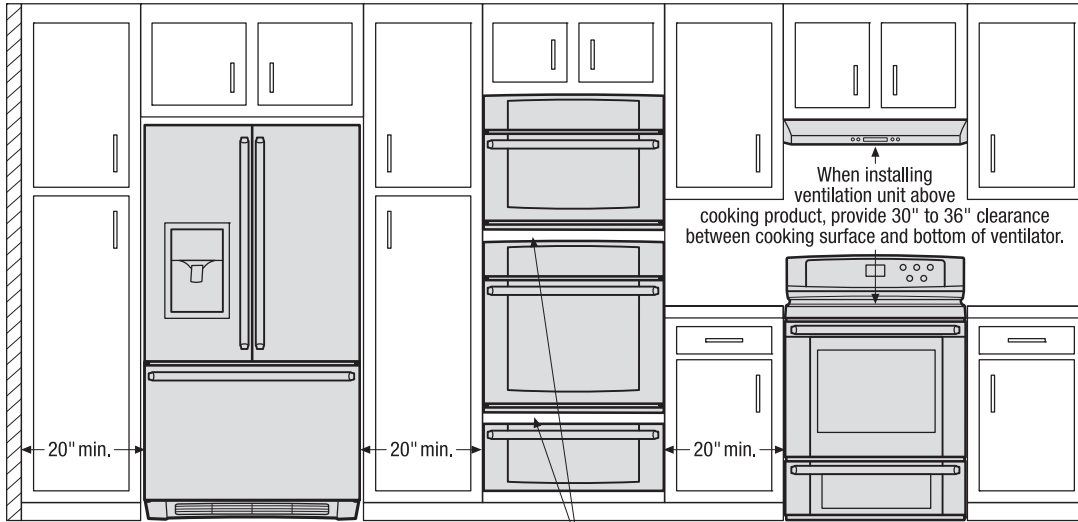
When installing appliance with sliding drawer or drop-down door adjacent to wall, cabinet, or other obstruction that extends beyond front edge of appliance, allow 2" minimum clearance between drawer or door and obstruction.

## Electrolux Major Appliances, N.A.

USA • 10200 David Taylor Drive • Charlotte, NC 28262 • 1-877-4electrolux (1-877-435-3287) • [electroluxappliances.com](http://electroluxappliances.com)  
 CANADA • 5855 Terry Fox Way • Mississauga, ON L5V 3E4 • 1-800-265-8352 • [electroluxappliances.ca](http://electroluxappliances.ca)

Use these dimensions and clearance instructions for planning purposes only. For detailed installation instructions, refer to installation guide, packed with product, or on the web at [electroluxappliances.com](http://electroluxappliances.com).

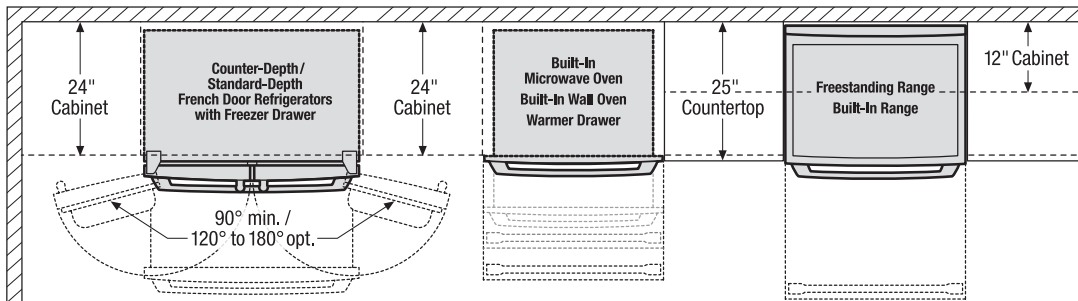
**Front**



When installing appliances adjacent to each other, 20" minimum distance between each appliance required.

When installing built-in cooking appliances in combination, 2" minimum visible gap between appliance faceplates required.

**Top**

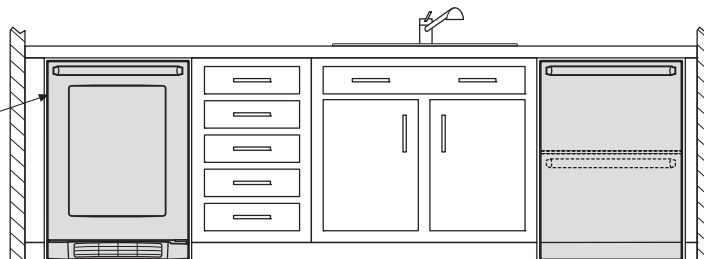


When installing refrigerator adjacent to wall, cabinet or another appliance that extends beyond front edge of unit, 20" minimum clearance recommended to allow for optimum 120° to 180° door swing, providing complete drawer/crisper access and removal.

When installing appliance with sliding drawer or drop-down door directly across from obstructions, provide sufficient clearance for drawer extension or door swing.

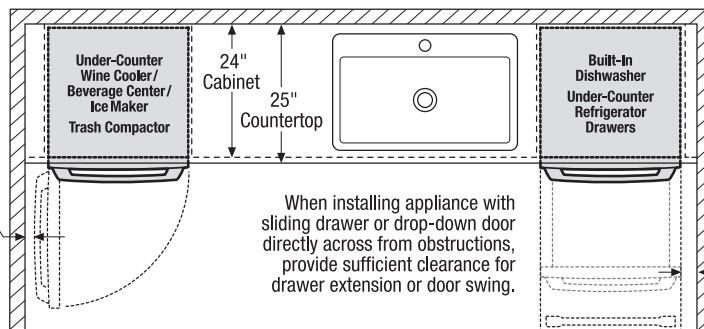
**Front**

To ensure optimum performance, avoid installing refrigeration appliances in direct sunlight or near heat source.



**Top**

When installing appliance with side-swing door adjacent to wall, cabinet, or other obstruction that extends beyond front edge of appliance, door swing and handle clearance must be sufficient to allow access to appliance interior.



When installing appliance with sliding drawer or drop-down door directly across from obstructions, provide sufficient clearance for drawer extension or door swing.

When installing appliance with sliding drawer or drop-down door adjacent to wall, cabinet, or other obstruction that extends beyond front edge of appliance, allow 2" minimum clearance between drawer or door and obstruction.

## Electrolux Major Appliances, N.A.

USA • 10200 David Taylor Drive • Charlotte, NC 28262 • 1-877-4electrolux (1-877-435-3287) • [electroluxappliances.com](http://electroluxappliances.com)  
 CANADA • 5855 Terry Fox Way • Mississauga, ON L5V 3E4 • 1-800-265-8352 • [electroluxappliances.ca](http://electroluxappliances.ca)