

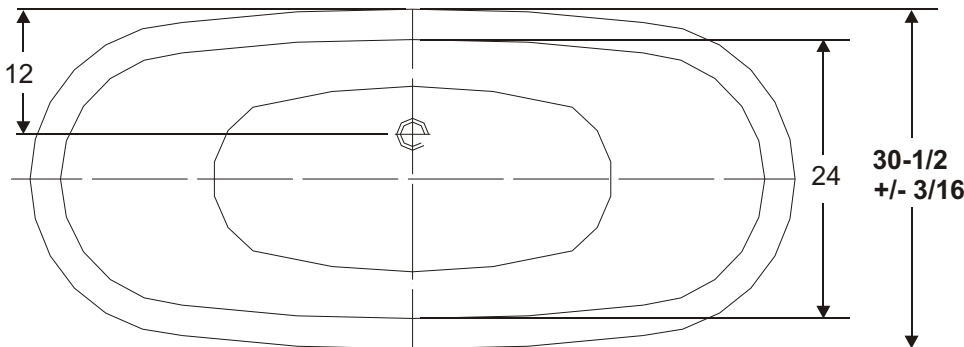


Elizabethan Classics

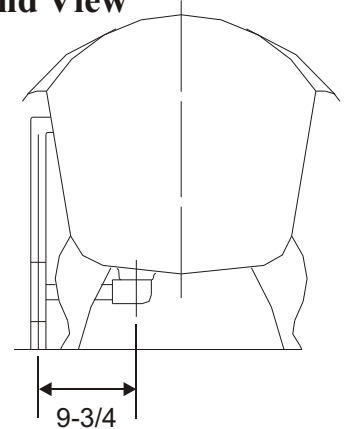
Specification for ECDBLSLNOHOLE

Hole	Diameter
Drain	2" +/- 1/8
Over Flow	2-1/4" +/- 3/16
Faucet	-----
Capacity	43.591 US Gallon
Weight of Tub	374.78 lbs
Weight of Tub filled with water	737.78 lbs

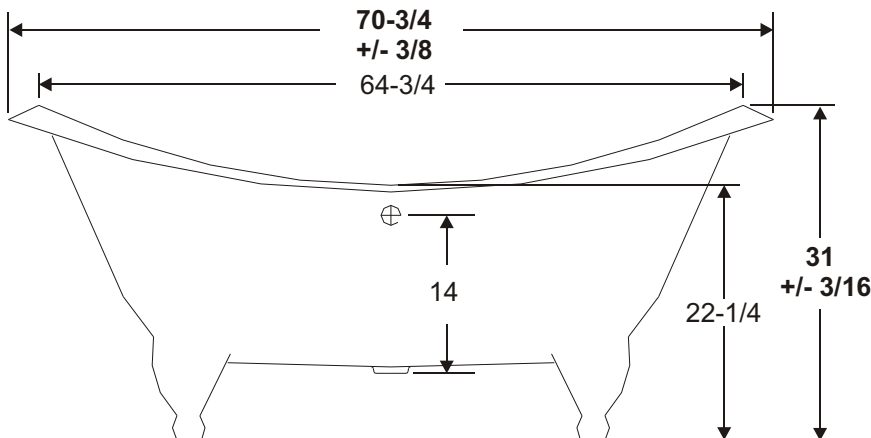
Top View



End View



Side View



LION Feet Placement Diagram

