



Specification for MW01 - MW05

4" - 15" Adjustable centers

With Pop-up drain (not shown)

Inlets: 1/2" IPS

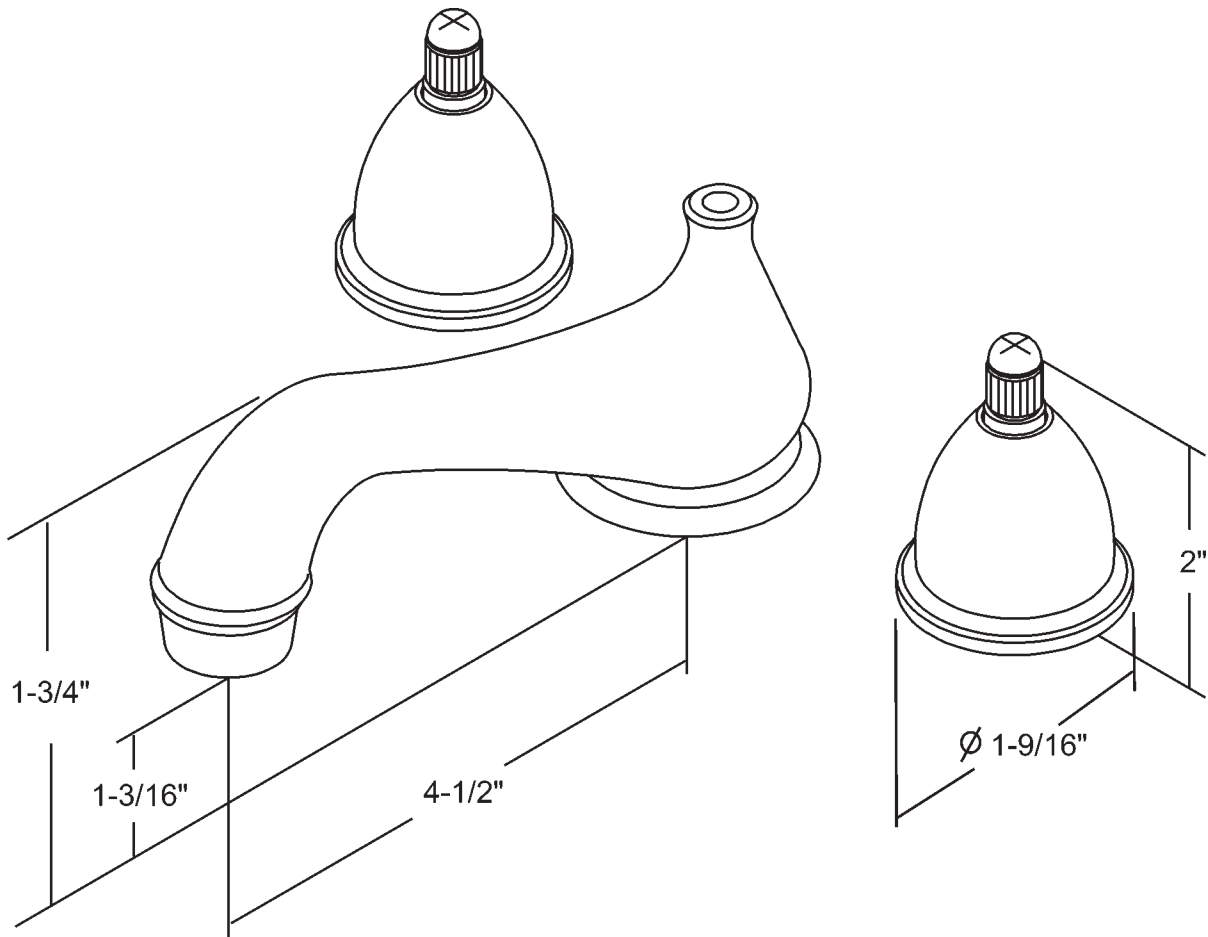
Max Deck Thickness: 1"

Valve Body Diameter 1" OD

Valve-Spout Flex Connector

Length 9"

Connections 1/2" IPS



Revised 1/18/03