



ELIZABETHAN CLASSICS

Owner's Manual & Installation Guide

Note: Read all instructions before proceeding with installation.
All specifications are $\pm 1/4"$ and are subject to change without notice.



TABLE OF CONTENTS

TABLE OF CONTENTS	2
PRODUCT REGISTRATION/WARRANTY CARD	3
CONGRATULATIONS!	5
SAFETY INSTRUCTIONS	6
INSTALLATION INSTRUCTIONS	
Pre-Installation Procedures	7-8
Structural Preparation	8
Plumbing	8
Rough-In Measurements	9
Electrical Installation	9
Installation Instructions for Freestanding Models	10-14
OPERATION	
Electronic Control Panel	15
Purge Cycle	15
Purge 24 Hours	15
Remote Control Operation	16
MAINTENANCE AND CARE	
Cleaning	17
Flushing/Sanitizing	17
Surface Scratch Removal	17
Repair	17
FCC Information	18
Serial Number - How to Locate	18
TROUBLESHOOTING GUIDE	
Symptoms/Possible Problems/Solutions	19
PARTS ORDER FORM/PARTS MAP/PARTS LIST	
Replacement Parts Order Form	20
Parts Map	21
Parts List	21
ELIZABETHAN CLASSICS LIMITED WARRANTY	22

ELIZABETHAN CLASSICS

Warranty Confirmation & Product Registration Information

IMPORTANT:

To ensure that your warranty is registered and confirmed with the manufacturer, please take a few moments to complete, sign and return the Product Registration Card (below) within **30 days** of date of purchase.

WARRANTY CONFIRMATION:

By returning this Product Registration Card, we can confirm the date of purchase for your new product. This confirmation will allow Elizabethan Classics to process any warranty claims.

PURCHASE REGISTRATION:

The information provided on the Product Registration Card will be kept on file with Elizabethan Classics as your official Purchase Registration.

While completing the card, please take time to also fill in the owner information to the right, as this will help expedite any warranty claims, should the need arise.

OWNER INFORMATION:

Model Name _____

Serial Number _____

(See Table of Contents for Location)

Purchase Date _____

Place of Purchase _____



**ELIZABETHAN CLASSICS
WARRANTY DEPARTMENT**
2900 Westfork Drive, Suite 300
Baton Rouge, LA 70827
800.880.8164
Fax: 225.215.9528

ELIZABETHAN CLASSICS

Product Registration Card

To ensure that your warranty is registered with Elizabethan Classics, complete, sign and return this registration card within 30 days of date of purchase.
NOTE: Your warranty will not be recognized by Elizabethan Classics unless this card is fully completed and returned to Elizabethan Classics, Attn: Elizabethan Classics Warranty Department, 2900 Westfork Drive, Suite 300, Baton Rouge, LA 70827.

NAME _____ PLACE OF PURCHASE _____

ADDRESS _____ TUB MODEL _____

CITY _____ STATE _____ ZIP _____ SERIAL # _____ COLOR _____

PHONE _____ DATE PURCHASED _____

I have read the Elizabethan Classics Owner's Manual carefully and understand and agree that any installation, operation or maintenance of the whirlpool must be done strictly in accordance with instructions and guidelines contained in the Elizabethan Classics Owner's Manual and Installation Guide provided by Elizabethan Classics to Your Other Warehouse.

SIGNATURE _____

5/01



CONGRATULATIONS!

You have chosen one of the finest bath products in the world! Elizabethan Classics supports your purchase with strong commitments to quality and customer satisfaction.

Please read and follow all of the instructions contained in this Owner's Manual before installing, operating or maintaining your air bath. In addition, you should continually refer to these instructions during the life of your air bath. Failure to comply with these instructions may invalidate your warranty.

NOTE:

The installation and service of your whirlpool should be performed **ONLY** by a qualified electrician, technician or plumber.

IMPORTANT!

PLEASE CHECK ENTIRE UNIT FOR ANY DAMAGE.

If it appears damaged, contact Elizabethan Classics Dealer/Distributor **immediately**. Elizabethan Classics warranty does not cover damage that occurs in transit.

IMPORTANT SAFETY INSTRUCTIONS

WARNING: WHEN USING THIS UNIT, THESE BASIC PRECAUTIONS SHOULD BE FOLLOWED.

This manual contains information and instructions for proper operation and maintenance of your air bath. Failure to follow these instructions could result in personal injury, electrical shock or fire.

READ AND FOLLOW ALL INSTRUCTIONS

DANGER! TO REDUCE THE RISK OF INJURY:

- A. Do not permit children to use this unit unless they are closely supervised by an adult at all times. Supervision is also required when the air bath is used by an elderly or handicapped individual.
- B. Use this unit only for its intended use as described in this manual. Do not use attachments not recommended by the manufacturer.
- C. Do not operate this unit without guard over the suction fitting.
- D. The water in an air bath should never exceed 40°C (104°F). Water temperatures between 38°C (100°F) and 40°C (104°F) are considered safe for a healthy adult. Use time should be limited to approximately 30 minutes, followed by a shower to cool down. Longer exposures may result in hyperthermia. The symptoms of this condition are nausea, dizziness and fainting, which can be fatal. Lower water temperatures are recommended for extended use (exceeding 10-15 minutes) and for young children.
- E. Since excessive water temperatures have a high potential for causing fetal damage during the early months of pregnancy, pregnant or possibly pregnant women should limit air bath water temperatures to 38°C (100°F).
- F. The use of drugs or alcoholic beverages before or during air bath use may lead to unconsciousness with the possibility of drowning. Never use the air bath while under the influence of alcohol, anticoagulants, stimulants, antihistamines, vasoconstrictors, vasodilators, hypnotics, narcotics or tranquilizers.
- G. Persons with a medical history of heart disease, low or high blood pressure, circulatory system problems, or diabetes should consult a physician before using an air bath.
- H. Persons using medication should consult a physician before using an air bath since medication may induce drowsiness while other medication may affect heart rate, blood pressure and circulation.

DANGER: To reduce the risk of injury, enter and exit the bath slowly.

WARNING: Never operate electrical devices in or near the bath. Never drop or insert any object into any opening within the air bath.

This unit must be connected to a supply circuit that is protected by a Ground Fault Circuit Interrupter (GFCI). Such a device should be installed by a licensed electrician and should be tested on a regular basis (at least monthly). To test the GFCI push the **TEST** button. The GFCI should interrupt the power. Push the **RESET** button and the power should be restored. If the GFCI fails to operate in this manner there is the possibility of an electric shock. **DO NOT USE.** Disconnect the unit and have the problem corrected by a qualified service technician. To avoid the possibility of personal injury and discoloration of the acrylic surface, the inlet water temperature should not exceed 60°C (140°F). The bath should be drained after each use. Each bather should start their bath with fresh water.

CAUTION: DO NOT USE HARSH ABRASIVES OR SOLVENTS FOR CLEANING THIS UNIT.

INSTALLER/OWNER BEARS ALL RESPONSIBILITY TO COMPLY WITH ALL STATE AND LOCAL CODES WHEN INSTALLING THIS PRODUCT.

SAVE THESE INSTRUCTIONS

INSTALLATION INSTRUCTION GUIDELINES

READ ALL INSTRUCTIONS CAREFULLY BEFORE INSTALLATION

PRE-INSTALLATION PROCEDURES:

PLEASE NOTE: THE MANUFACTURER ACCEPTS A 1/4" VARIANCE. THERE ARE VARIATIONS ON EACH TUB AND SPECIFICATIONS ARE SUBJECT TO CHANGE AS WE IMPROVE UPON OUR PRODUCT AS REQUIRED.

THE DIMENSIONS NEEDED FOR SITE PREPARATION AND STRUCTURE BUILDINGS SHOULD BE MEASURED FROM THE TUB; ELIZABETHAN CLASSICS ASSUMES NO RESPONSIBILITY FOR PREPARATORY WORK.

1. Immediately upon receiving your Elizabethan Classics air bath, inspect it thoroughly for freight damage. If necessary, contact your dealer/distributor immediately (your dealer/distributor must contact Elizabethan Classics within 24 hours of receiving unit to file a claim.)
2. All baths are filled with water and operated in our manufacturing facility prior to shipment. Inspectors ensure watertight operation, however, rough handling may cause leaks which maybe detected prior to installation.

TO INSPECT:

3. Place the tub in an area where it may be drained after testing.
4. Fill the tub with hot water (approximately 100° F) to the overflow and allow to stand for a few minutes. Carefully inspect all fittings and connections for leaks.
5. Plug in blower control box and run blower for 10 minutes.
6. Inspect the tub completely. Any defect must be reported to Elizabethan Classics prior to installation in order to have it covered by warranty.
7. Check to ensure that your installation will conform to all applicable codes and secure necessary permits. All electrical and plumbing connections should be made by qualified electricians and plumbers.

WARNING: FAILURE TO FOLLOW THESE INSTRUCTIONS DURING INSTALLATION WILL RESULT IN TERMINATION OF THE WARRANTY: Do not lift the tub by any portion of the plumbing or blower. Do not stand in the tub during construction.

DO NOT MAKE ANY ALTERATIONS, ADDITIONS, OR DELETIONS TO THE AIR BATH SYSTEM BLOWER, OR BATH WITHOUT PRIOR WRITTEN APPROVAL FROM ELIZABETHAN CLASSICS.

SERENITY X AND XI PARTS LIST:

The following parts are included with the Serenity X and XI, please contact Elizabethan Classics if any parts are missing:

1. 1- 1 1/2" Union Check Valve - 8427FTG attached to 1- Blower - 8000BLW
2. 1- Control Box - 8075BOX
3. 1- Remote Control (batteries installed) - 1013
4. 1- Infrared Sensor attached to 25 foot cable - 1014
5. 1- Key Pad (without mood light button) - 8079PADxx
6. 1- Key Pad Cable - 25 feet - 1050
7. 1- Pipe Cover Tube (see below for finish part numbers):
 - 1035 - Chrome
 - 1036 - Polished Brass
 - 1037 - Satin Nickel
 - 1038 - Polished Nickel
 - 1039 - White

INSTALLATION INSTRUCTION GUIDELINES

READ ALL INSTRUCTIONS CAREFULLY BEFORE INSTALLATION

QUIETNESS OF OPERATION: Elizabethan Classics has engineered their air baths from base to lip to ensure quality, value, functional design, and maximum bathing comfort. However, installation is accountable for as much as 50% of a tub's operating quietness. Please ensure the following:

- The floor structure is adequate to support the installation.
- Insulate the tub surround.
- Spread a bed of cement mortar or gypsum plaster on the floor or subfloor under the air bath to reduce vibration and noise.

STRUCTURAL PREPARATION:

NOTE: The bath should remain in its shipping carton until time of installation.

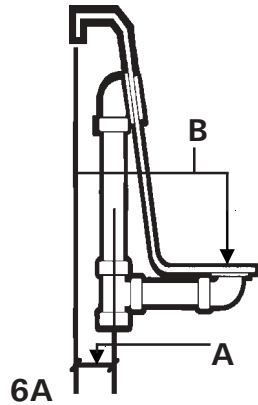
1. Literature dimensions are for reference only. Installation dimensions should be taken directly from the tub. An access panel of 16" x 16" minimum must be provided at the blower end of the air bath allowing sufficient clearance to make final connections and for servicing the blower and power panel. Access may be through the wall or platform apron at the end of the unit. In the case of sunken installations, access should be made through the ceiling below. A minimum ventilation opening of 2" x 4" for the blower is required and should be designed to draw in ambient air at a minimum of 72° F.
2. Install the drain fitting to the bath. **THE DRAIN FITTING WILL PROTRUDE BELOW THE BASE OF THE TUB APPROXIMATELY 1 1/2".** Clearance may be needed for the drain by cutting away the subfloor (where possible) or by blocking below the tub as may be required. **WARNING: FACTORY SKIRTS DO NOT ALLOW FOR BLOCKING UP OF THE TUB BASE.** All blocking must be solid and provide uniform support to the tub base.
3. Tub must rest entirely on its base. **DO NOT SUPPORT THE WEIGHT OF THE TUB BY THE RIM.** Elizabethan Classics strongly recommends preparing a bed of wet mortar in the area where tub is to be installed to assist in leveling and reduce vibration noise. Carefully level unit, ensuring that uniform support is given to all areas of the base and no portion of the lip is bearing weight.
4. Frame out under the tub rim. Level in selected location. Level front to back and across both sides. A ledge under the rim, or an apron without a ledge, may be constructed as required. Where installation will be against a wall, stud wall framing should allow for wall sheathing material to run full length to the floor. Install tub firmly against sheathing as indicated, with blocking below rim to prevent deflection or movement of tub. To prevent a rocking movement of tub after installation, it is important to have rim in contact, but not supported by blocking material.

PLUMBING:

1. After securing tub in place, normal waste and overflow, water spout and valves are installed per normal plumbing procedures, in accordance with all state and local standards.
2. Install standard 1-1/2" trap to drain and overflow. Before proceeding, make final operational check by filling tub with water to overflow and operate blower for 5 minutes. Carefully check for leaks both while blower is running and after it has been turned off. Allow water to stand in tub for at least 30 minutes before draining. **ELIZABETHAN CLASSICS WILL NOT BE RESPONSIBLE FOR WATER DAMAGE OF ANY KIND.**
3. When selecting fill spout location, check to ensure that spout is long enough to clear the tub rim from its desired location. If installation is to be on the tub deck, check the back side of tub for adequate space for connection to water lines and that there are **no air channels running under that area of the tub rim before drilling or cutting tub.**
4. A service access panel of a minimum of a 16" square **must** be provided adjacent to blower and control box assembly.

INSTALLATION INSTRUCTIONS

ROUGH-IN MEASUREMENTS:



MODEL

SERENITY AIR BATH

Serenity X
Serenity XI

A

(From center of overflow pipe
to outside rim)

4 3/4"

4 3/4"

B

(From center of
drain to tub rim)

12 1/8"

12 1/8"

ELECTRICAL INSTALLATION:

WARNING: ALL ELECTRICAL CONNECTIONS SHOULD BE MADE BY A LICENSED, LOCALLY CERTIFIED ELECTRICIAN, IN ACCORDANCE WITH THE REQUIREMENTS OF THE NATIONAL ELECTRICAL CODES AND PROCEDURES.

WARNING: WHEN USING ELECTRICAL PRODUCTS, PRECAUTIONS SHOULD ALWAYS BE FOLLOWED, INCLUDING THE FOLLOWING:

DANGER: RISK OF ELECTRIC SHOCK! This unit requires one dedicated circuit, protected by a Ground Fault Circuit Interrupter (GFCI). Rough in wiring to control box on a dedicated 120V, 15 amp, GFCI protected circuit.

**GFCI's are not supplied, however we do specify their use.
All known code authorities require GFCI's.**

ELECTRICAL: The blower is prewired to a control box on a cord. A GFCI protected, 120 Volt, 15 Amp, 60 HZ circuit with a service ground is required, "dedicated" only to powering the bath.

DANGER: Risk of electric shock, Do not alter the factory installed wiring. A licensed electrician must provide the "dedicated" electrical service protected by a GFCI. The location of the GFCI must be accessible for regular testing. **USE COPPER CONDUCTORS ONLY.**

CAUTION: Before use of the blower, test the GFCI for proper operation. The blower should turn off when the GFCI "Test" button is pushed.

WARNING - Prolonged Immersions in Hotter Water May Induce Hyperthermia. Hyperthermia occurs when the internal temperature of the body reaches a level several degrees above the normal body temperature of 98.6°. The symptoms of hyperthermia include an increase in the internal temperature of the body, dizziness, lethargy, drowsiness, and fainting. The effects of hyperthermia include (1) failure to perceive heat, (2) failure to recognize the need to exit the air bath, (3) unawareness of impending hazard, (4) fetal damage in pregnant women, (5) physical inability to exit the air bath, (6) unconsciousness resulting in the danger of drowning.

WARNING - The use of alcohol, drugs, or medication can greatly increase the risk of fatal hyperthermia.

INSTALLATION INSTRUCTIONS

INSTALLATION OF FREESTANDING MODELS:

NOTE:

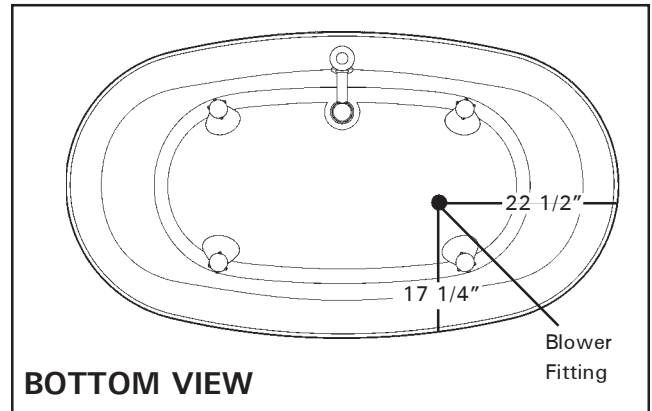
- Freestanding units must be placed on a perfectly leveled floor.
- The blower must be mounted in a remote location and cannot be installed on the bath (See page 12).
- Wall mounted or freestanding faucets must be used.

SERENITY X INSTALLATION:

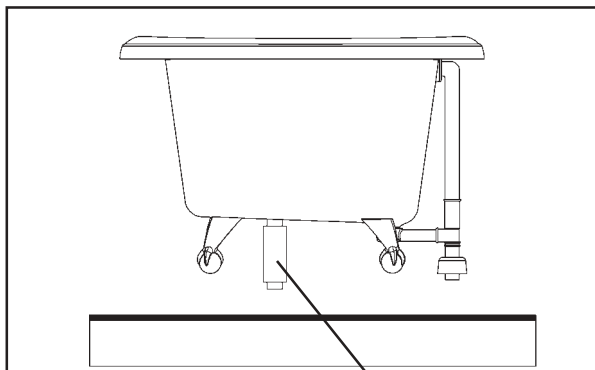
For information on electrical installation, maintenance and care, troubleshooting and warranty, please refer to the Table of Contents.

Before the floor installation is complete, make sure it is perfectly level. Once the floor installation is complete, determine the exact location of the bath and mark the floor position of the four claw feet (see Diagram 9A). **The bath must be anchored to the floor.** Also, mark the position of the holes to be drilled for the blower air passage and drain.

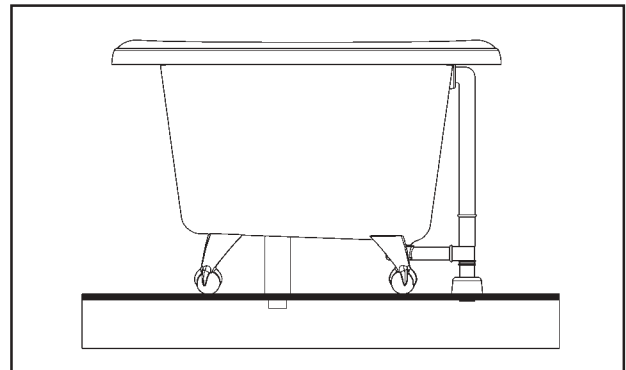
1. Drill four holes for the feet. Then drill a 2" hole for the air passage and 2" hole for the drain.
2. Install the drain and overflow on the bath. Next, glue the first section of pipe (PVC 1 1/2") to the air passage under the tub and then cover the pipe with the pipe concealer (see Diagram 9B).
3. Once the pipe has been installed through the floor and the bath has been placed, secure the four feet with 1/4" lag bolts or concrete anchors (see Diagram 9C).



9A



9B



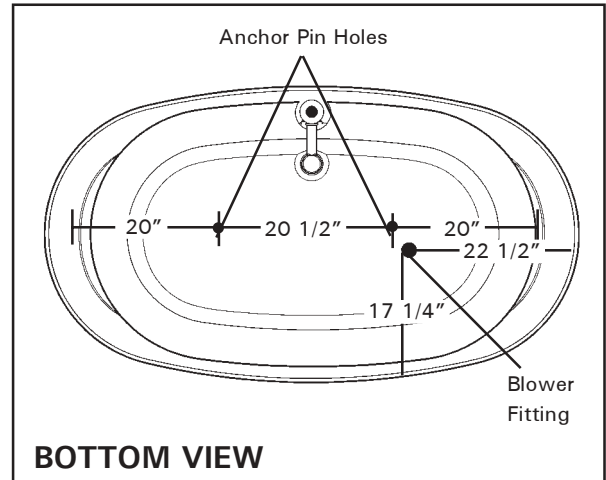
INSTALLATION INSTRUCTIONS

SERENITY XI INSTALLATION:

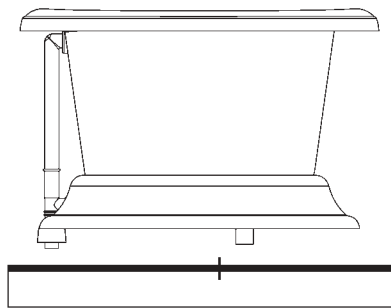
Before the floor installation is complete, make sure the floor is level. Once the floor installation is complete, determine the exact location of the bath and trace the contour of the bath with an erasable marker pen.

For information on electrical installation, maintenance and care, troubleshooting and warranty, please refer to the Table of Contents.

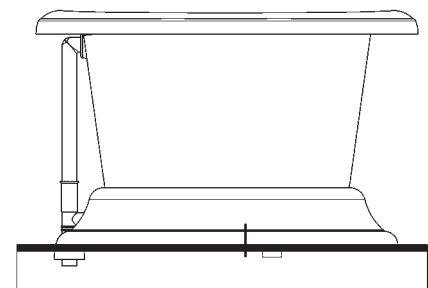
1. Determine the exact location of the drain, air passage and the two anchoring points at each end of the bath (see Diagram 10A).
2. Drill 2" holes for the drain and air passage holes. To prevent the bath from moving sideways, secure the two anchoring pins (3/8" x 3" lag bolts) to the floor. Leave the lag bolts 1 1/2" above floor. Wipe off the marker tracings (see Diagram 10D).
3. Install the overflow and drain on the bath. Glue the first pipe section (PVC 1 1/2") of the air passage to go under the floor and make sure pins are lined up with holes in tub. Apply a silicone seal under the rim of the base and lay the bath down putting the pipes through the floor. Immediately remove any excess silicone (see Diagrams 10B and 10C).



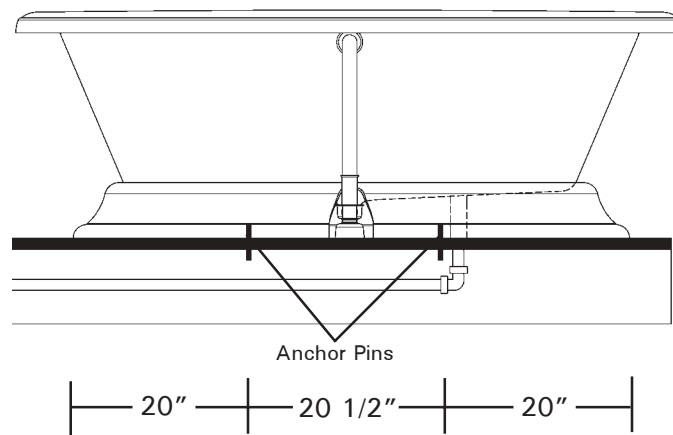
10A



10B



10C



10D

SIDE VIEW

INSTALLATION INSTRUCTIONS

VARIABLE SPEED AIR BLOWER REMOTE MOUNTING FOR SERENITY X AND XI:

DESIGNATING A REMOTE LOCATION:

The designated location for the blower must not require more than 15 feet of pipe and 6 directional changes. Choose a place as close to the bath as possible to make sure that the system works properly. The chosen place must not be cluttered and/or dusty and must allow for sufficient air circulation. The air around the blower should be approximately 72°F (20°C) for optimal performance. The blower and control box must be accessible at all times. See pages 13-14 for installation diagrams.

INSTALLING THE BLOWER IN A REMOTE LOCATION:

The blower will come attached to the one way check valve, make sure the arrow on the valve is pointing away from the blower.

The blower can be installed horizontally or vertically. The blower intake may be installed up or down. Use PVC 1 ½" pipe and adapters only. Whenever possible, use two 45° elbows instead of one 90° elbow to change the direction of your pipe. Glue all pipe connections along the extension you have added.

The blower should be 6" off the floor or ceiling and the air intake end of the blower should be at least 4" from any walls or joists. The location of the blower should not be air tight; a gap of 1" is recommended for good air circulation. To reduce heat loss, insulate the pipe.

MOUNTING THE CONTROL BOX:

Mount the control box close to the blower and the AC outlet. (120 vac minimum 15 amp dedicated GFCI protected).

You will be able to mount both the infrared sensor and key pad (attach by pressure sensitive tape on back of keypad) or you may want to mount only the infrared sensor. When mounting the infrared sensor be sure there are no obstructions between the sensor and the tub. Both cables are 25 feet long.

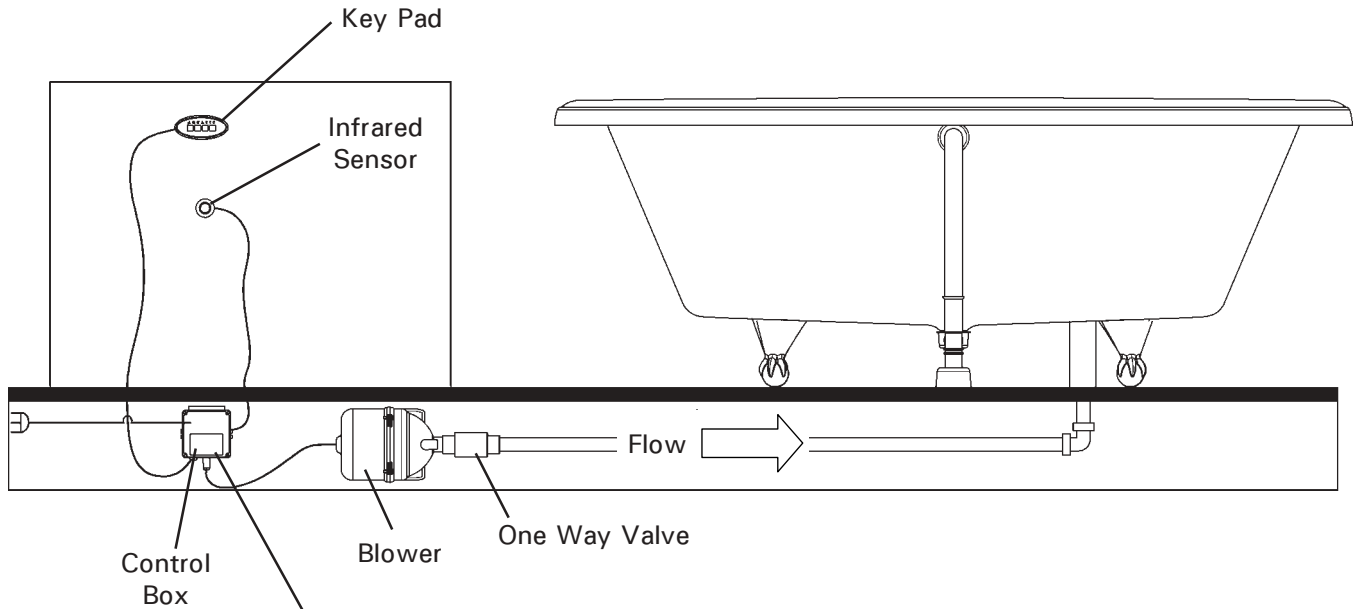
At the control box, plug the cord from the blower into the control box, then plug in the infrared sensor cord and the key pad cord, if it is going to be used. Then plug in the three prong plug to a 120 vac minimum 15 amp dedicated GFCI protected outlet. See Serenity X and XI control box wiring diagram on pages 13-14.

Aim remote control at the infrared sensor and check. (See Remote Control Operation on Pages 16.)

NOTE: A red light will flash rapidly after pushing any button on the remote control. If light does not flash when a key is depressed, replace the batteries.

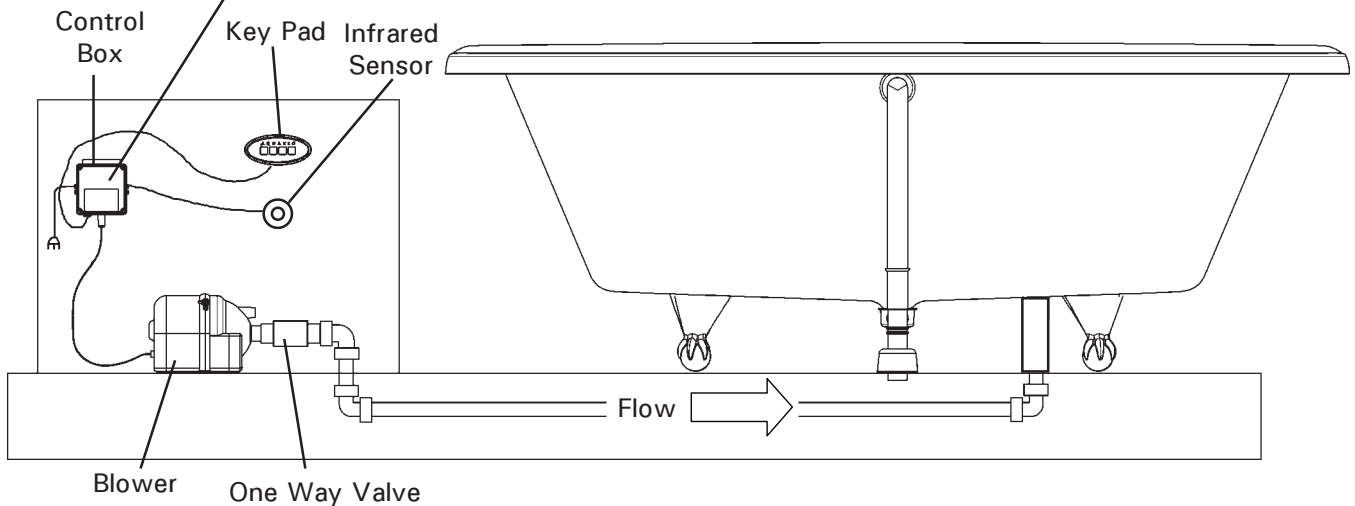
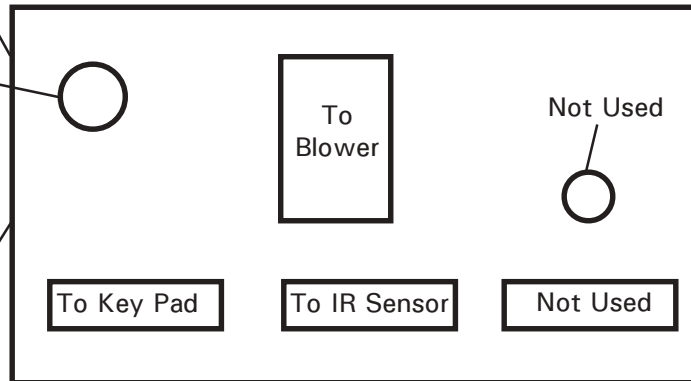
INSTALLATION INSTRUCTIONS

Serenity X



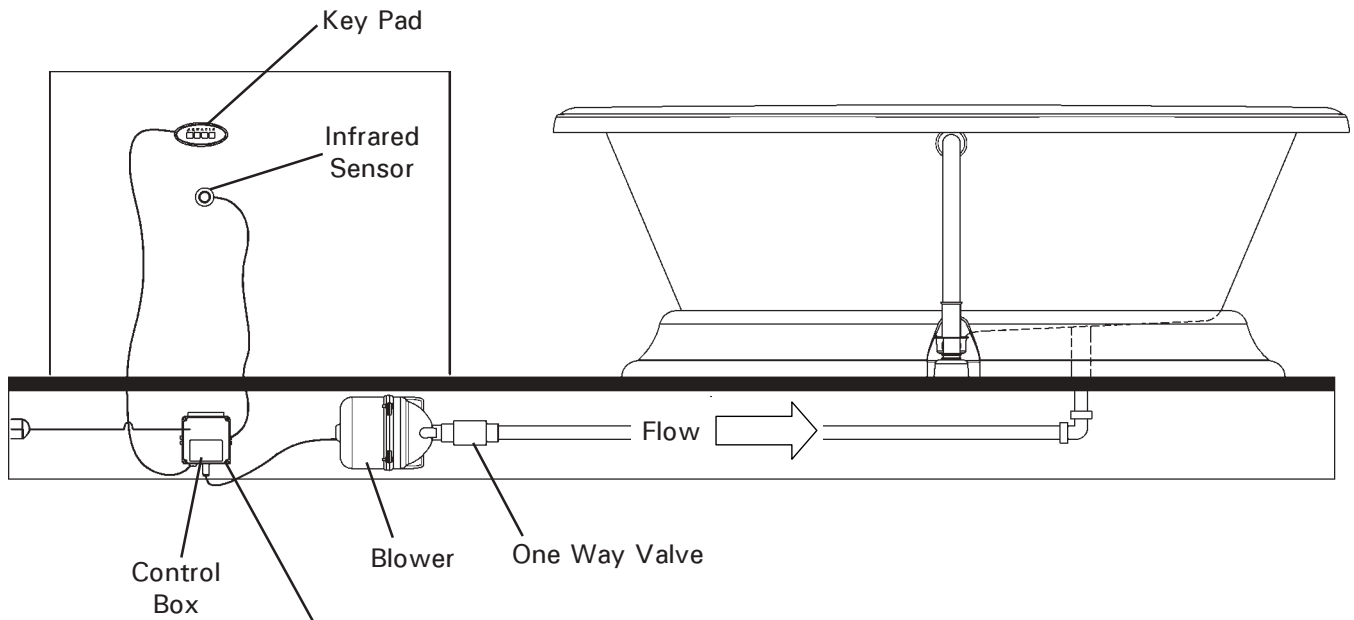
SERENITY X AND XI CONTROL BOX WIRING

To 120 vac
minimum 15 amp
dedicated GFCI
protected circuit



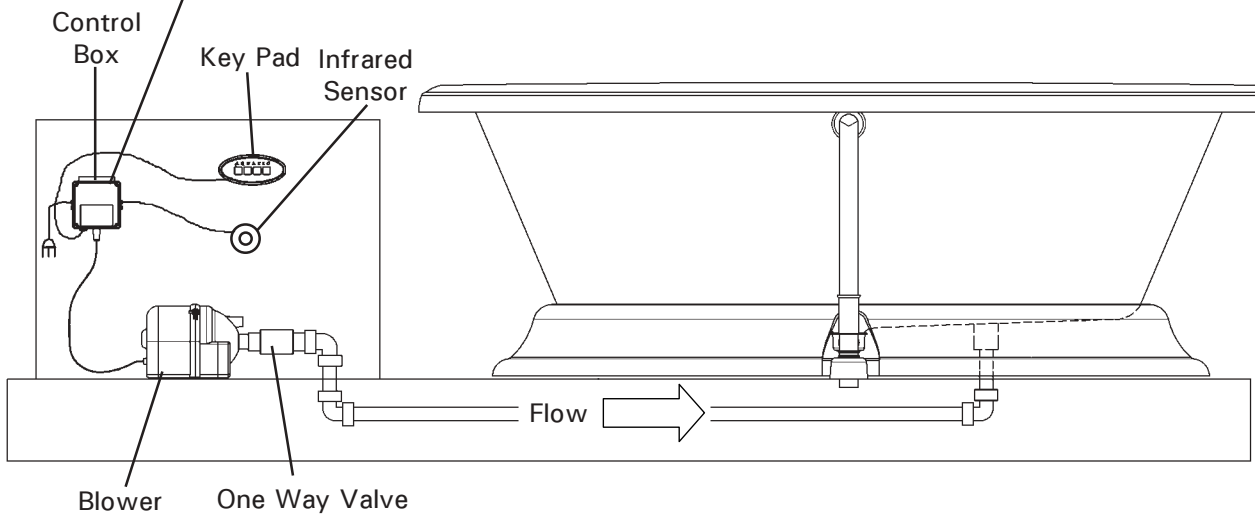
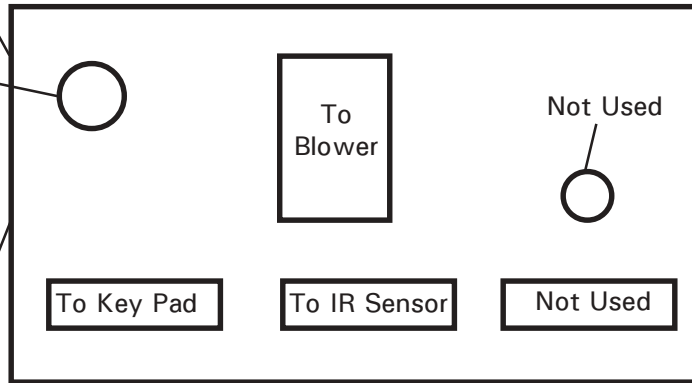
INSTALLATION INSTRUCTIONS

Serenity XI



SERENITY X AND XI CONTROL BOX WIRING

To 120 vac
minimum 15 amp
dedicated GFCI
protected circuit

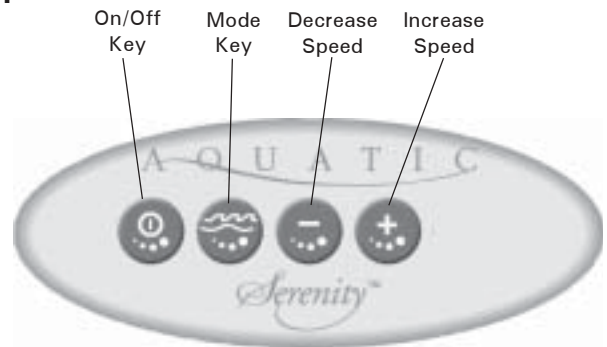


OPERATION of SERENITY AIR BATH

BATHSIDE CONTROL SYSTEMS:

ELECTRONIC CONTROL PANEL (see Diagram 11A):

- To Turn Air Bath System On:** Pressing the On/Off button will turn the blower on in "constant mode". The blower and the heater will automatically shut off after a 20-minute period.
- To Change Modes:** Pressing the Mode button alternates the blower modes of operation from constant mode to wave mode and then to pulse mode.
 - **Constant Mode:** Consists of a constant blower level with no change.
 - **Wave Mode:** Consists of a gradual change of blower level to generate a gentle massage effect.
 - **Pulse Mode:** Consists of an instant change of the blower level to generate a massage effect.
- To Change Speeds:** In constant mode, pressing and holding the "+" button will increase the variable speed of the blower to the maximum. Pressing and holding the "-" button will reduce the blower's variable speed to the minimum. In both cases, the user can release the button at the desired power level. **NOTE:** In wave mode or pulse mode, the "+" or "-" buttons will work the same way but will have an effect on the maximum power of the wave and pulse mode.



11A

AIR BATH PURGE CYCLE:

Following the 20 minute run time of the blower, there will be a 15 minute idle period. The blower will then turn on for 3 minutes for the purge cycle. If the user turns the blower off manually before the timer reaches 20 minutes, the idle period will start after the blower has been turned off. During the 15 minute idle period and the 3 minutes purge, the light indicator of the on/off button will blink. During the idle period, pressing the On/Off button will turn on the blower in constant mode. During the 3 minute purge, pressing the blower key will stop the purge.

PURGE 24 HOURS:

It is possible for the user to program a purge cycle that will start every day for a duration of 1 minute. Elizabethan Classics strongly recommends activating this feature. The purge cycle will help ensure that the air channels stay dry even when you have taken a soaking bath or shower.

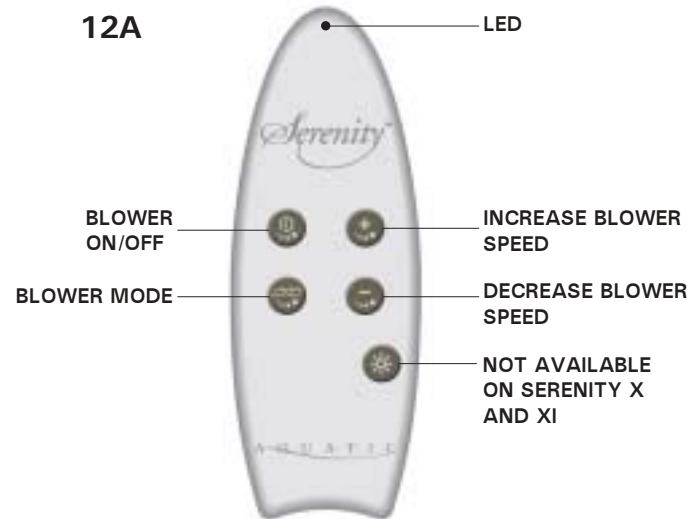
To activate this purge feature, the user must hold down the "+" button for 5 seconds when the blower/heater is off or waiting for the normal purge. Then, the light indicator on the on/off button will blink twice. If the unit was in standby for a normal purge when the 24 hour purge was activated, the normal purge will be canceled.

The purge will be done every day at the same time the user activated it (pressed the "+" button). By pressing the "+" button again, the 24 hour purge will be deactivated.

OPERATION of SERENITY AIR BATH

REMOTE CONTROL OPERATION:

The *Serenity Air Bath* System provides a variable speed controlled heated air blower with three massage modes: continuous mode, wave mode with gradually varying blower intensities, and a pulse mode with the blower's speed changing rapidly from its minimum speed to a user defined maximum speed. A built-in timer shuts the blower off 20 minutes after it has been activated. To dry the plumbing system, an automatic purge cycle will restart the blower for three minutes, 15 minutes after the air bath has been turned off.



To Turn Air Bath On: Pressing the On/Off button will turn the blower on in “constant mode”. Once the blower is on, pressing a second time will turn the blower off. The blower will shut off after a 20-minute period.

To Change Modes: Pressing the Mode button alternates the blower modes of operation from constant mode to wave mode and then to pulse mode.

To Change Speeds: In constant mode, pressing and holding the button will increase the power level of the blower to the maximum speed. Pressing and holding the button will reduce the blower's power level to the minimum. In both cases, the user can release the button at the desired power level.

In wave mode or pulse mode, the or buttons will work the same way, but will have an effect on the maximum power of the wave and pulse mode.

For best results, please remove the remote control from the water when the air bath is not in use. Prolonged exposure to the hot water in your bath may create humidity build-up inside your remote control. This will not affect the operation of the remote, but may alter its appearance.

REPLACING THE BATTERIES:

A red light will flash rapidly after pushing any button on the remote control. If light does not flash when a key is depressed, replace the batteries.

The remote control is powered by two AAA batteries.

1. Unscrew and remove bottom cap to remote control.
2. Insert new batteries, making sure to match plus (+) ends with plus markings on the battery case. Refer to the label under your remote.
3. Replace cap ensuring that waterproof gaskets are correctly positioned and cap is well screwed on.

Notes:

- You can use a coin to unscrew cap.
- When replacing batteries, it is recommended to add a lubricant (e.g. Vaseline) on cap gaskets to ensure perfect water tightness.

MAINTENANCE AND CARE

CLEANING:

Use common household, non abrasive cleaners for most cleaning jobs. Clean grease, oil, paint and ink stains with Isopropyl (rubbing) alcohol. Rinse well and dry with a clean cloth or sponge. Do not run the air system with foaming cleaners or soaps. Rinse the bath thoroughly after cleaning. Do not allow your Lucite® acrylic surface to come into contact with products such as acetone (nail polish remover), nail polish, dry cleaning solution, lacquer thinners, gasoline, pine oil or other toxic and oily cleaners.

FLUSHING / SANITIZING:

Before tub is used, your air bath and plumbing system should be flushed. Close the drain. Fill bath with hot water to at least six inches above air injector holes. Add 2 teaspoons of low sudsing automatic dishwashing detergent and no more than 4 ounces of bleach to the water. DO not use bleach or other chlorinated cleansers on metal trim surrounding control panel. Turn bath on for approximately two minutes to mix cleaner with water. Shut blower down and allow cleaner to soak in the bath for approximately two hours. Turn ON air bath and run for approximately five minutes. Turn air bath unit OFF and drain tub. Elizabethan Classics recommends the above cleaning process on your air bath once a month.

SURFACE SCRATCH REMOVAL:

Minor scratches may be removed by polishing your tub with a non-abrasive car polish, followed by buffing. Deeper scratches can be removed by:

- Sanding with wet 400 grit sandpaper.
- Sanding with wet 600 grit sandpaper.
- Sanding with wet micro-grit sandpaper.
- Buff out using car polish.

REPAIR:

The installation and service of your air bath should be performed only by a qualified service technician. Remember when contacting your dealer always have your serial number, proof of purchase and model number available. This will ensure a quick response on warranty items.

See page 18 for serial number location.

NOTE: ALL WARRANTY REPAIRS MUST BE AUTHORIZED BY ELIZABETHAN CLASSICS BEFORE WORK IS STARTED. FOR SERVICE, ALWAYS CONTACT YOUR DEALER OR AUTHORIZED SERVICE CENTER.

CAUTION: Care should be taken to prevent inappropriate chemicals coming in contact with the Lucite® acrylic surface. Please read and observe all instructions and/or warnings on containers containing substances you contemplate applying to your air bath. Any failure to comply may void your warranty.

WATER AND AIR TEMPERATURE:

Each Serenity model is equipped with a 600 watt air heating system to raise the temperature of the air going into the bath. This air temperature will be less than the bathing temperature of the water, but will help to reduce a rapid decrease in water temperature. In addition, the air coming from the air jets will feel cool against the skin, just as a breeze on a warm day cools your body. This system does not heat the water.

AIR BATH USER INFORMATION

PLEASE NOTE:

The air bath action may cause even small amounts of bubble bath or shampoo to foam excessively. Exercise moderation in experimenting with different soap products.

No servicing of this product should be done by the user. There are no user serviceable parts. All controls are located in the control recesses on the lip of the tub. These are the only controls that should be used by the consumer. Do not change or alter any of these controls under any circumstances.

Motors are self-lubricating -- No lubrication required.

FCC CONSUMER INFORMATION

Electrical installation information listed on page 9.

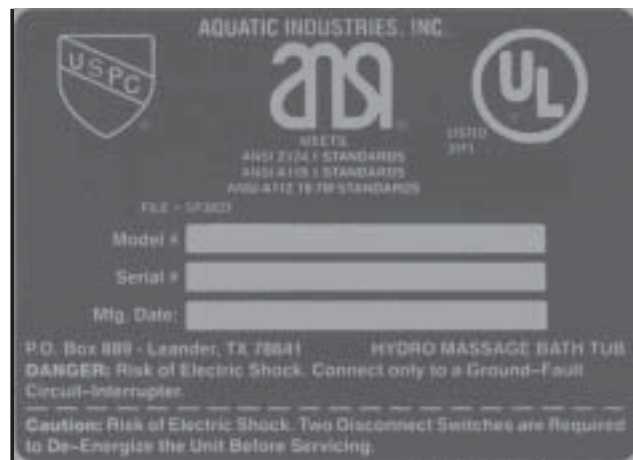
This equipment generates and uses radio frequency energy and if not installed and used properly, that is, in strict accordance with the manufacturers instruction, may cause interference to radio and television reception. It has been type tested and found to comply with the limits for a class B computing device in accordance with the specifications in subpart J of part 15 of the FCC rules, which are designed to provide reasonable protection against such interference in a residential installation. However, there is no guarantee that interference will not occur in a particular installation. If this equipment does cause interference, which can be determined by turning the equipment on and off, the user is encouraged to try to correct the interference by one or more of the following measures:

- Reorient the receiving antenna.
- Relocate the receiver with respect to the bath tub.
- Move the receiver away from the bath.
- Plug the receiver into a different outlet so that the receiver and bath are on different branch circuits.
- If necessary, the user should consult the dealer or an experienced radio/television technician for additional suggestions.
- The user may find the following booklet prepared by the Federal Communications Commission helpful: "How To Identify and Resolve Radio-TV Interference Problems."

This booklet is available from the U.S. Government Printing Office, Washington, DC 20402, Stock No., 004-000-00345-4.

SERIAL NUMBER LOCATION:

Your installer should have a service access panel in this location. The numbers are located on the bottom of the tub of the Serenity X and by the drain of the Serenity XI. Look for a label which resembles the one on the right.



TROUBLESHOOTING GUIDE

WARNING: Always turn off power at the main electrical service panel when servicing your air bath.

SYMPTOMS	POSSIBLE PROBLEMS	SUGGESTED SOLUTIONS
Air Bath does not operate.	<ol style="list-style-type: none"> 1) No power to Air Bath unit. 2) Blower Control Box is not plugged in. 3) Control Panel connector to controller box is disconnected. 4) Blower Motor is disconnected from control box. 	<ol style="list-style-type: none"> 1) Reset circuit breakers and GFCI if tripped. Check fuses and replace if bad. 2) Make sure plug is fully inserted into the outlet. 3) Check and reconnect if needed. 4) Plug blower into control box.
Blower turns off by itself or before time elapses.	<ol style="list-style-type: none"> 1) Blower motor overheated and thermal protection device has deactivated motor (possibly low voltage). 2) GFCI tripped 	<ol style="list-style-type: none"> 1) Check that the blower has sufficient ventilation and that the intake to the blower is not blocked. Clear and allow motor to cool down. (check service and wire size.) 2) Refer to installer/dealer.
Circuit breaker trips repeatedly.	<ol style="list-style-type: none"> 1) Defective breaker. 2) Short circuit between bath and breaker box. 3) Other items are connected to the same circuit. 	<ol style="list-style-type: none"> 1) Change out breaker. 2) Refer to installer/dealer. 3) Refer to installer/dealer.
Blower does not manually shut off.	<ol style="list-style-type: none"> 1) Defective control panel. 2) Defective control box. 	<ol style="list-style-type: none"> 1) Refer to installer/dealer. Replace control panel. 2) Refer to installer/dealer. Replace control box.
Air Bath does not function properly while in the pulse or wave modes.	<ol style="list-style-type: none"> 1) Speed of air setting is set too low. 	<ol style="list-style-type: none"> 1) Change the air speed setting to a mid-range setting before switching to wave or pulse modes.



REPLACEMENT PARTS ORDER FORM

FOR SERENITY AIR BATHS

How To Use:

1. Find your part on the map and make note of its number & letter.
2. Using map number and letter, choose part number and select color (or finish) on parts list provided on page 21.
3. Fill out the form below with the selected information and send to Elizabethan Classics.
4. Call Elizabethan Classics for parts pricing and shipping charges.

IMPORTANT!

The following information **MUST** accompany your order:

Serial Number, Model Number/Name, Purchase Date and Color

PLEASE FILL OUT COMPLETELY:

SHIP TO:

Name _____

Company _____

Address _____

City _____ State _____ Zip _____

Phone _____ Fax _____

BILL TO:

Name _____

Company _____

Address _____

City _____ State _____ Zip _____

Phone _____ Fax _____

Serial # (Invoice #) _____ Model Name _____

Model # _____ Color _____ Purchase Date _____

Quantity	Part No.	Description	Color/Finish	Price
_____	_____	_____	_____	_____
_____	_____	_____	_____	_____
_____	_____	_____	_____	_____
_____	_____	_____	_____	_____
_____	_____	_____	_____	_____
_____	_____	_____	_____	_____

Mail orders to:

ELIZABETHAN CLASSICS
WARRANTY DEPARTMENT
 2900 Westfork Drive, Suite 300
 Baton Rouge, LA 70827
 800.880.8164
 or fax to: 225-215-9528

SERENITY AIR BATHS

REPLACEMENT PARTS LIST AND ORDER MAP

DESCRIPTION	PART NUMBER	COLOR / FINISH
1) Air Blower	8000BLW	-----
2) Control Box	8075BOX	-----
3) Check Valve	8427FTG	-----
4) Control Panel	8075PADWH 8075PADBR 8075PADCR 8075PADBN	White Polished Brass Chrome Satin Nickel
5) Sculptured Pillow (option) (not shown) -Serenity X, XI	9219PILLBK 9219PILLWH 9219PILLBO	Black White Bone
6) Remote Control (option) (not shown)	1013	-----
7) Waste and Overflow for Freestanding Serenity Models (option) (not shown)	94CPDWO 94WHDWO 94PNDWO 94PBDWO 94SNDWO	Chrome White Polished Nickel Polished Brass Satin Nickel
8) Infrared Sensor attached to 25 foot cable (not shown) (for remote control option)	1014	-----
9) Control Panel (not shown)	8079PADWH 8079PADBR 8079PADCR 8079PADBN	White Polished Brass Chrome Satin Nickel
10) 25 Foot Cable for Serenity X and XI Control Panel (not shown)	1050	-----
11) Pipe Cover Tube (Serenity X only) (not shown)	1035 1036 1037 1038 1039	Chrome Polished Brass Satin Nickel Polished Nickel White



Elizabethan Classics Limited Warranty

For Serenity Air Bath Whirlpools Limited Warranty For Original Consumer For Household Usage

WHAT PRODUCTS ARE COVERED

Structures and surface finishes on Whirlpools (“Whirlpools”), and their support equipment, components, attachments, controls and plumbing equipment. Different warranty periods apply to specific components.

Warranty Periods for Specific Components

10 YEAR STRUCTURAL WARRANTY FOR WHIRLPOOL/TUB SHELL

Elizabethan Classics extends to the original consumer purchaser of the acrylic, fiberglass reinforced shell of a Serenity Series Whirlpool a limited warranty that the shell will retain its structural integrity and configuration and be free of water loss due to a defect in the tub shell for a period of 10 years from the date of purchase, but never more than 11 years from date of manufacture. This limited structural warranty does not apply to attachments to the acrylic, fiberglass reinforced shell, such as plumbing, fittings and other apparatus; these pieces are covered below in a 2 Year Warranty.

10 YEAR SURFACE WARRANTY FOR FACE OF WHIRLPOOL/TUB

The interior surface/face of a Serenity Series Whirlpool is warranted against fading, blistering, cracking and delamination due to defects in the surface materials for a period of 10 years from the date of purchase, but never more than 11 years from date of manufacture. This surface warranty extends to defects due to surface material mixing or molding. This surface warranty does not apply to fading, cracking, delamination or blistering due to *excessive wear, sun fading or scouring due to cleaning*.

2 YEAR EQUIPMENT WARRANTY FOR SUPPORT EQUIPMENT, COMPONENTS, CONTROLS & PLUMBING EQUIPMENT

All support equipment, components, controls and plumbing equipment on the Serenity Series Whirlpools are warranted for 2 years from date of purchase, but not more than 3 years from date of manufacture, against defects in workmanship and materials. Pump seals, “O” rings, light bulbs, fuses and pillows are not included in this two-year period. However, these accessories are warranted to be free from defects in materials and workmanship at the time of delivery to the original purchaser. Limited labor is covered for 2 years from purchase, but never more than 3 years from date of manufacture, for limited labor on the support equipment, controls, or plumbing.

EXCLUSIVE REMEDY

Elizabethan Classics will, **at its option**, repair or replace (without removal or installation) the affected components of any defective Unit or System; repair or replace (without removal or installation) the entire defective Unit or System; or refund the sell price of the Whirlpool or Tub. In all cases, a reasonable time period must be allowed for warranty repairs to be completed.

WHAT YOU MUST DO

In order to make a claim under these warranties:

1. You must be the original consumer purchaser of the Whirlpools or Tubs.
2. You must promptly notify us within the warranty period of any defect and provide us with any substantiation that we may reasonably request.
Write to: **Elizabethan Classics Warranty Department 2900 Westfork Drive, Suite 300, Baton Rouge, LA 70827.**
3. The Whirlpools and Tubs must have been installed and maintained in accordance with good industry practice and the specific Elizabethan Classics directions contained in the Owner’s Manual and Installation Guide. Write for one if you don’t have one!

EXCLUSIONS

These warranties do **not** extend to or do **not** cover defects caused by:

1. Shipping damage by carriers, installation errors, or defects in related components not manufactured by Elizabethan Classics.
2. Accident, acts of God, abuse or misuse.
3. Unreasonable use (including any use for non-bathing purposes or failure to provide reasonable and necessary maintenance as specified in Elizabethan Classics Owner’s Manual and Installation Guide supplied with the Whirlpool or Tub).
4. Any alteration, customization, or modification of the Whirlpool/Tub or its components.

LIMITATIONS

1. **ELIZABETHAN CLASSICS whirlpools and tubs sold for industrial, commercial or hotel use** are warranted for two years, but not more than 3 years from date of manufacture, with a limited warranty that the shell will retain its structural integrity and configuration and be free of water loss due to a defect in the tub and the interior surface/face of the whirlpool/tub is warranted against fading, blistering, cracking and delamination due to defects in the surface materials. All support equipment, components, controls and plumbing equipment and limited labor on the support equipment, controls, or plumbing are warranted for 1 year, but not more than 2 years from date of manufacture. Pump seals, “O” rings, light bulbs, fuses and pillows are not included in this two-year period. However, these accessories are warranted to be free from defects in materials and workmanship at the time of delivery to the original purchaser.
2. **In all cases, ELIZABETHAN CLASSICS reserves the right to fully satisfy its obligations under the Limited Warranties by refunding the then-current list price of the defective Whirlpool or Tub (or, if the Whirlpool or Tub has been discontinued, of the most nearly comparable current product).**
3. ELIZABETHAN CLASSICS reserves the right to furnish a substitute or replacement component or product in the event a Whirlpool or Tub or any component of these products is discontinued or otherwise unavailable.
4. **THESE WARRANTIES ARE NON-TRANSFERABLE TO ANY OTHER PURCHASER OR PARTY OTHER THAN THE ORIGINAL CONSUMER. NO OTHER AGENT OR PARTY CAN GIVE ANY OTHER WARRANTY OR PROMISE. THIS IS THE SOLE WARRANTY FOR YOUR ELIZABETHAN CLASSICS PRODUCT.**
5. ELIZABETHAN CLASSICS will not cover any installation or reinstallation costs related to this warranty, except under the limited labor allowance under the 2 Year Equipment Warranty above.
6. **Your warranty period starts** (begins to run) at the earlier of 1) the beginning of installation of your Whirlpool/Tub in a home, or 2) the purchase of your Whirlpool/Tub, and shall never exceed 11 years from the date the Tub/Whirlpool is manufactured for its shell or finish, or 3 years from the manufacture of plumbing supplies and accessories.

GENERAL

This warranty gives you specific legal rights; you may also have other rights, which vary from state to state. THE DURATION OF ANY IMPLIED WARRANTIES, INCLUDING THE IMPLIED WARRANTIES OF MERCHANTABILITY AND FITNESS FOR A PARTICULAR PURPOSE, ARE LIMITED TO THE DURATION OF THE EXPRESS WARRANTIES HEREIN. ELIZABETHAN CLASSICS EXPRESSLY EXCLUDES INCIDENTAL AND CONSEQUENTIAL DAMAGES, TO INCLUDE LOSS OF TIME, INCONVENIENCE, OR LOSS OF USE OF RESIDENCE, FOR ANY BREACH OF THE EXPRESS OR IMPLIED WARRANTY, INCLUDING THE IMPLIED WARRANTIES OF MERCHANTABILITY OR FITNESS FOR A PARTICULAR PURPOSE.

SOME STATES DO NOT ALLOW ANY LIMITATION ON HOW LONG AN IMPLIED WARRANTY LASTS, OR THE EXCLUSION OR LIMITATION OF INCIDENTAL OR CONSEQUENTIAL DAMAGES; SO THE ABOVE EXCLUSION MAY NOT APPLY TO YOU.



ELIZABETHAN CLASSICS
12100 Little Caymen Drive
Baton Rouge, LA 70809
800.880.8164