

**SPECIFICATIONS**

**GENERAL**

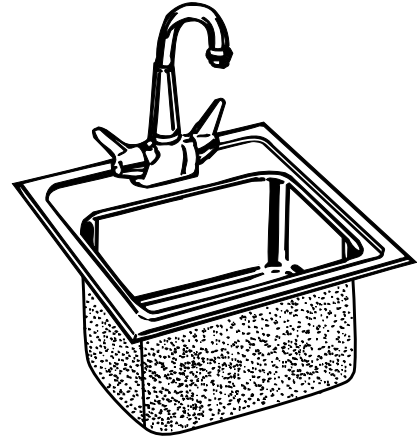
Highest quality Lustertone sink bowl seamlessly drawn of #18 gauge, type 304 (18-8) nickel bearing stainless steel. Self-rimming.

**DESIGN FEATURES**

- Bowl Depth: 7".
- Coved Corners: 1-3/4" radius.
- Bowl Recess: 3/16" below outside edge of sink.
- Finish: Exposed surfaces are hand blended to a highlighted Lasting Beauty™ satin finish.
- Underside: Fully undercoated to prevent condensation and dampen sound.

**FITTINGS FURNISHED:**

- LK-2223** Hi-Arc bar faucet. 12-3/8" overall. Brass body and handles.
- LK-36** Basket strainer chrome plated brass with stainless steel basket.



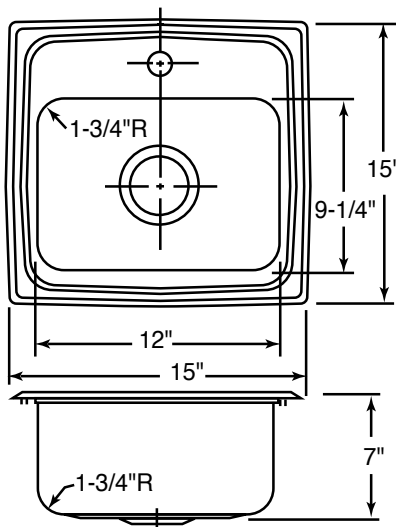
Model BLR-150-C

**OTHER**

Drain opening: 2".

**SINK DIMENSIONS**

Model Number	DIMENSIONS IN INCHES					Cutout in Countertop (1 1/2" Radius Corners)		1 1/4" Dia. Faucet Hole	Ship. Wt. Lbs.
	Length is left to right. Width is front to back.					L	W		
	Overall		Inside Bowl						
L	W	L	W	D	L	W			
BLR-150-C	15	15	12	9 1/4	7	14 3/8	14 3/8	1	12



ALL DIMENSIONS IN INCHES, TO CONVERT TO MILLIMETERS MULTIPLY BY 25.4.

*In keeping with our policy of continuing product improvement, Elkay reserves the right to change product specifications without notice.*

*This specification describes an Elkay product with design, quality and functional benefits to the user. When making a comparison of other producers' offerings, be certain these features are not overlooked.*