

**Pacemaker® Double Bowl Bar Sink**  
**20 Gauge - Type 304 - Self Rim**  
**Model BPSR2317**



**SPECIFICATIONS**

**GENERAL**

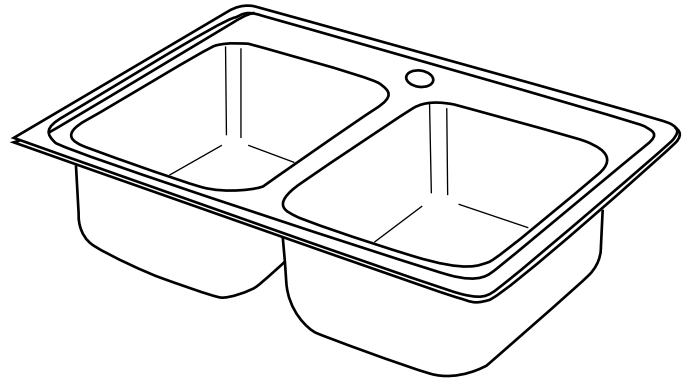
Fine quality Pacemaker double bowl bar sink is seamlessly drawn of #20 gauge, type 304 (18-8) nickel bearing stainless steel. Self-rimming.

**DESIGN FEATURES**

- Bowl Depths: 6-1/8".
- Coved Corners: 1-3/4" Radius.
- Bowl and Faucet Deck Recess: 3/16" drop ledge.
- Finish: Exposed surfaces are polished to a lustrous, highlighted bright satin finish.
- Underside: Fully protected by heavy duty Sound Guard™ undercoating.

**OTHER**

- Drain Opening: 2".
- Faucet Holes: Available with 0, 1, 2, 3 or 4, 1-1/2" diameter faucet holes 4" center to center.
- NOTE: Unless otherwise specified, sink is furnished with one faucet hole as shown.
- This sink complies with ANSI Standard A112.19.3M.



Model BPSR2317

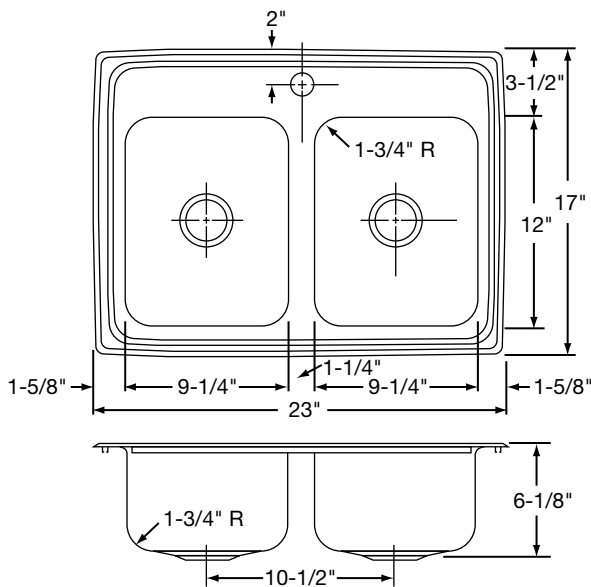


This sink is listed by the International Association of Plumbing and Mechanical Officials as meeting the requirements of the Uniform Plumbing Code.

**SINK DIMENSIONS (INCHES)\***

Model Number	Overall		Inside Each Bowl			Cutout in Countertop (1 1/2" Radius Corners)		No. of 1 1/2" Dia. Faucet Holes 4" Centers	Ship. Wt. Lbs.
	L	W	L	W	D	L	W		
BPSR2317	23	17	9 1/4	12	6 1/8	22 3/8	16 3/8	0, 1, 2, 3 or 4	10 3/4

\*Length is left to right. Width is front to back.



Model BPSR2317 Illustrated

In keeping with our policy of continuing product improvement, Elkay reserves the right to change product specifications without notice.

ALL DIMENSIONS IN INCHES, TO CONVERT TO MILLIMETERS MULTIPLY BY 25.4.

This specification describes an Elkay product with design, quality and functional benefits to the user. When making a comparison of other producers' offerings, be certain these features are not overlooked.