

ELKAY[®] SPECIFICATIONS

Pacemaker[®] Double Bowl Hospitality Sink Models BPSR2317 and BPSRQ2317

GENERAL

Fine quality sink bowl seamlessly formed of #20 gauge, type 304 (18-8) nickel bearing stainless steel. Top Mount.

DESIGN FEATURES

Bowl Depth: 6-1/8".

Coved Corners: 1-3/4" vertical and horizontal radius.

Bowl and Faucet Deck Recess: 3/16" below outside edge of sink.

Finish: Exposed surfaces are polished to a lustrous highlighted satin finish.

Underside: Fully undercoated to dampen sound and prevent condensation.

OTHER

Drain Opening: 2".

Sink complies with ASME A112.19.3/ CSA B45.4

 Sinks are listed by IAPMO[®] as meeting the applicable requirements of the Uniform Plumbing Code[®], International Plumbing Code[®], and National Plumbing Code of Canada.

OPTIONAL ACCESSORIES

Rinsing Baskets: LKWRB1209SS, and LKWUCSS

Cutting Boards: CB912

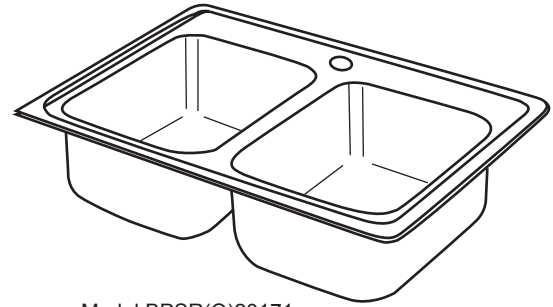
Bottom Grid: LKWBG1209SS

SINK DIMENSIONS (INCHES)*

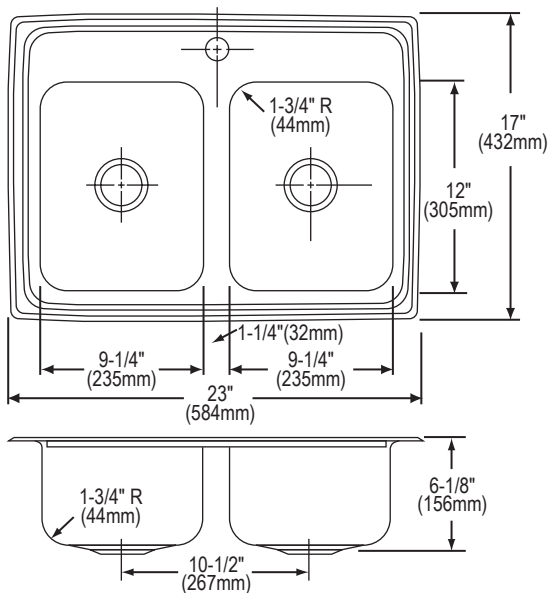
U-Channel Model Number	Quick-Clip Model Number	Overall		Inside Each Bowl			Cutout in Countertop (1 1/2" Radius Corners)		No. of 1/2" Dia. Faucet Holes 4" Centers	Minimum Cabinet Size	Ship. Wt. Lbs.
		L	W	L	W	D	L	W			
BPSR2317	BPSRQ2317	23 (584mm)	17 (432mm)	9 1/4 (235mm)	12 (305mm)	6 1/8 (156mm)	22 3/4 (568mm)	16 3/4 (416mm)	1, 2, MR2, 3, or 4	27 (686mm)	10 3/4

* Length is left to right. Width is front to back.

** Template 74180432 - Available for download at elkay.com, elkaypro.com or by contacting customer service.

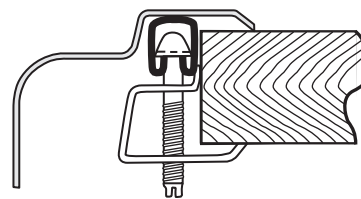


Model BPSR(Q)23171

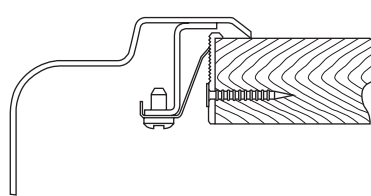


Model BPSR23171 Illustrated

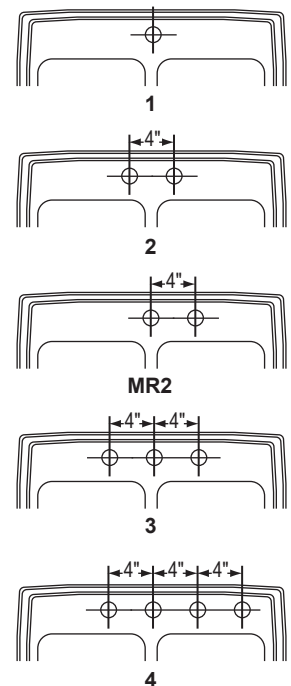
U-Channel Type Mounting System



Quick-Clip[®] Mounting System



HOLE DRILLING CONFIGURATIONS



In keeping with our policy of continuing product improvement, Elkay reserves the right to change product specifications without notice.

This specification describes an Elkay product with design, quality and functional benefits to the user. When making a comparison of other producers' offerings, be certain these features are not overlooked.