

ELKAY® SPECIFICATIONS

Pacemaker® Single Bowl Hospitality Sink No Faucet Ledge Models BPSFR1215 and BPSFRQ1215

GENERAL

Fine quality sink bowl seamlessly formed of #20 gauge, type 304 (18-8) nickel bearing stainless steel. Self-rimming.

DESIGN FEATURES

Bowl Depth: 6-1/8".

Coved Corners: 1-3/4" vertical and horizontal radius.

Bowl Recess: 3/16" below outside ledge of sink.

Finish: Exposed surfaces are polished to a lustrous high-lighted satin finish.

Underside: Fully undercoated to dampen sound and prevent condensation.

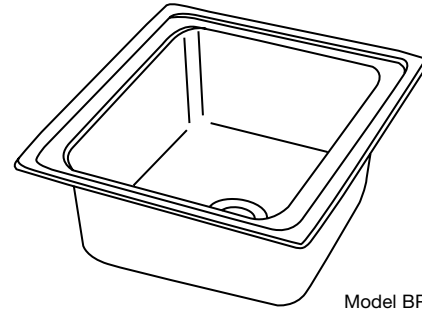
OTHER

Drain Opening: 2".

These sinks comply with ANSI Standard A112.19.3M.

OPTIONAL ACCESSORIES

Cutting Board: CB912.

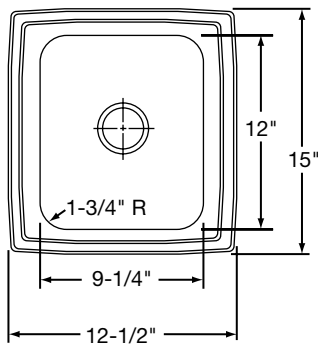


Model BPSFR(Q)1215

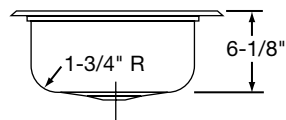
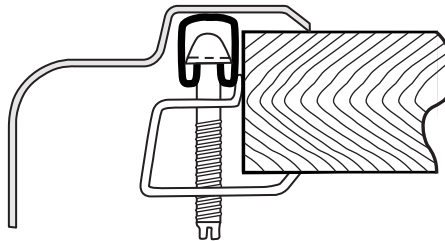
SINK DIMENSIONS (INCHES)*

U-Channel Model Number	Quick-Clip® Model Number	Overall		Inside Bowl			Cutout in Countertop (1 1/2" Radius Corners)		Minimum Cabinet Size	Ship. Wt. Lbs.
		L	W	L	W	D	L	W		
BPSFR1215	BPSFRQ1215	12 1/2	15	9 1/4	12	6 1/8	11 7/8	14 3/8	18	5

*Length is left to right. Width is front to back.

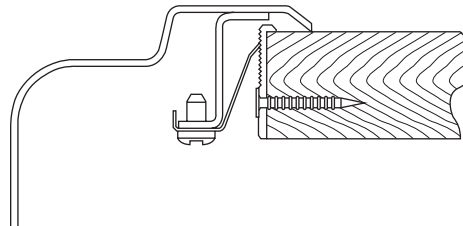


U-Channel Type Mounting System



Model BPSFR1215 Illustrated

Quick-Clip® Mounting System



ALL DIMENSIONS IN INCHES, TO CONVERT TO MILLIMETERS MULTIPLY BY 25.4.

In keeping with our policy of continuing product improvement, Elkay reserves the right to change product specifications without notice.

This specification describes an Elkay product with design, quality and functional benefits to the user. When making a comparison of other producers' offerings, be certain these features are not overlooked.