

ELKAY[®]

SPECIFICATIONS

Gourmet Single Bowl Sink CR Series

GENERAL

Good quality sink formed of #20 gauge, type 304 (18-8) nickel bearing stainless steel. Top mount.

DESIGN FEATURES

Bowl Depth: See table below.

Coved Corners: Vertical 2-1/4"(57mm) or 2-3/4"(70mm) CR1721
Horizontal 3"(76mm) or 3-1/2"(89mm) CR3122, CRS3322

Rim Height: 1/4"(6mm) CR2522, CRS3322, 5/32"(4mm) all others.

Finish: Exposed surfaces are polished to Brushed Satin finish.

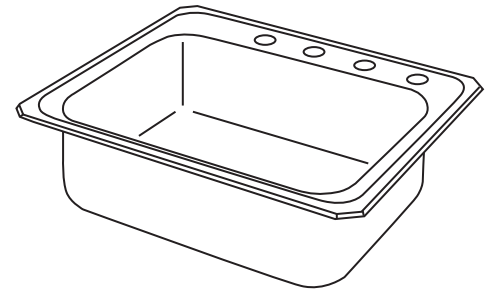
Underside: Fully undercoated to dampen sound and reduce condensation.

OTHER

Drain Opening: 3-1/2" (89mm).

Sink complies with ASME A112.19.3/ CSA B45.4

Sinks are listed by IAPMO[®] as meeting the applicable requirements of the Uniform Plumbing Code[®], International Plumbing Code[®], and National Plumbing Code of Canada.

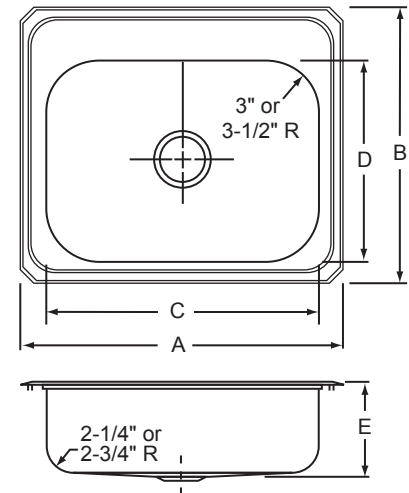


Model CR25214

SINK DIMENSIONS*

Model Number	Overall		Inside Bowl			Cutout in Countertop (1-1/2" (38mm) Radius Corners)		No. of 1 1/2" (38mm) Dia. Faucet Holes 4" (102mm) Center	Minimum Cabinet Size
	L	W	L	W	D	L	W		
	A	B	C	D	E	L	W		
CR1721	17 (432mm)	21-1/4 (540mm)	14 (356mm)	15-3/4 (400mm)	6-7/8 (175mm)	16-3/8 (416mm)	20-5/8 (524mm)	1, 2, 3, MR2	21
CR2521	25 (635mm)	21-1/4 (540mm)	21 (533mm)	15-3/4 (400mm)	6-7/8 (175mm)	24-3/8 (619mm)	20-5/8 (524mm)	1, 2, 3, 4, MR2	30
CR2522	25 (635mm)	22 (559mm)	21 (533mm)	15-3/4 (400mm)	7 (178mm)	24-3/8 (619mm)	21-3/8 (543mm)	1, 2, 3, 4, 5, MR2	30
CR3122	31 (787mm)	22 (559mm)	28 (711mm)	15-3/4 (400mm)	6-7/8 (175mm)	30-3/8 (772mm)	21-3/8 (543mm)	1, 2, 3, 4, 5, MR2	36
CRS3322	33 (838mm)	22 (559mm)	28 (711mm)	15-3/4 (400mm)	7 (178mm)	32-3/8 (822mm)	21-3/8 (543mm)	1, 2, 3, 4, 5, MR2	36

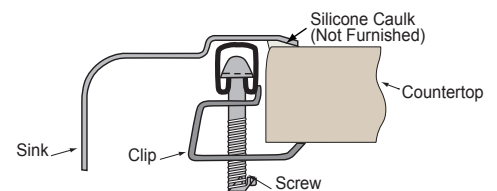
*Length is left to right. Width is front to back.



OPTIONAL ACCESSORIES

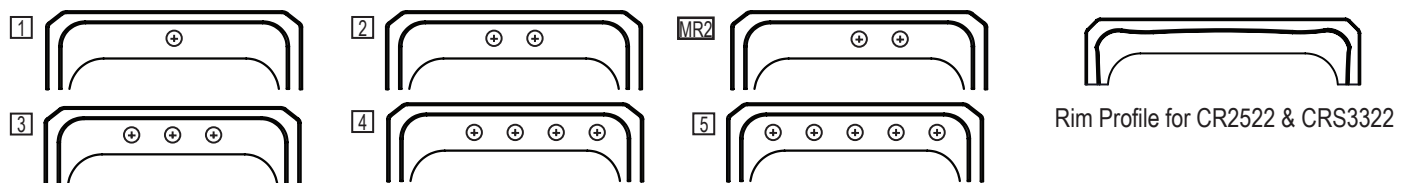
Model Number	Bottom Grid	Cutting Boards	Drain	Rinsing Basket	Utensil Caddy for Rinsing Basket
CR1721	LKWBG1414SS	CB1516	LK99	LKWERBSS	LKWUCSS
CR2521, CR2522 CR3122, CRS3322	-	CB1516	LK99	LKWERBSS	LKWUCSS

Installation Profile



Hole Drilling Configurations

1-1/2" (38mm) Diameter Faucet Holes on 4" (102 mm) Centers



In keeping with our policy of continuing product improvement, Elkay reserves the right to change product specifications without notice. Please visit elkay.com for the most current version of Elkay product specification sheets.

This specification describes an Elkay product with design, quality, and functional benefits to the user. When making a comparison of other producers' offerings, be certain these features are not overlooked.