

ELKAY®

SPECIFICATIONS

Celebrity® Double Bowl Sink Model CR4322

GENERAL

Good quality sink is formed of #20 gauge, type 304 (18-8) nickel bearing stainless steel. Top Mount.

DESIGN FEATURES

Bowl Depth: 7" (178)

Coved Corners: 3" (76mm) vertical and 2-1/4" (57mm) horizontal radius.

Bowl and Faucet Deck Recess: 3/16" (5mm) below outside edge of sink

Finish: Exposed surfaces are polished to Brushed Satin Finish.

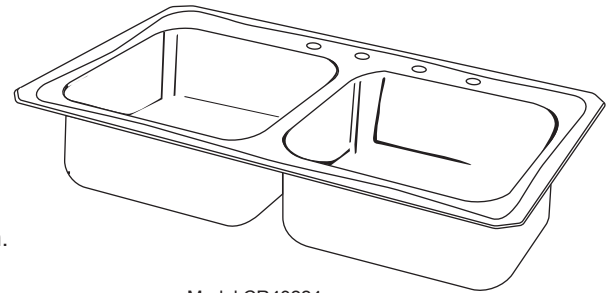
Underside: Fully undercoated to dampen sound and reduce condensation.

OTHER

Drain Opening: 3-1/2"

Sink complies with ASME A112.19.3/ CSA B45.4

 Sinks are listed by IAPMO® as meeting the applicable requirements of the Uniform Plumbing Code®, International Plumbing Code®, and National Plumbing Code of Canada.



Model CR43224

OPTIONAL ACCESSORIES

Cutting Board: CB1516.

Rinsing Basket: LKWERBSS

Utensil Caddy for Rinsing Basket: LKWUCSS.

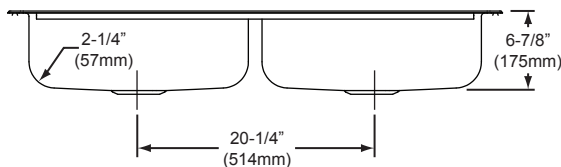
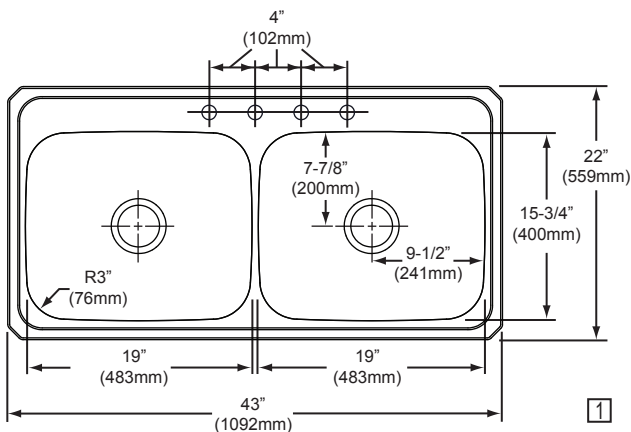
Drain: LK99.



SINK DIMENSIONS*

Model Number	Overall		Inside Bowl			Cutout in Countertop (1-1/2" (38mm) Radius Corners)		No. of 1-1/4" (32mm) or 1-1/2" (38mm) Dia. Faucet Holes 4" (102 mm) centers	Minimum Cabinet Size
	L	W	L	W	D	L	W		
CR4322	43 (1092mm)	22 (559mm)	19 (483mm)	15-3/4 (400mm)	7 (178mm)	42-3/8 (1076mm)	21-3/8 (543mm)	1, 2, MR2, 3, 4 or 5	48 (1219mm)

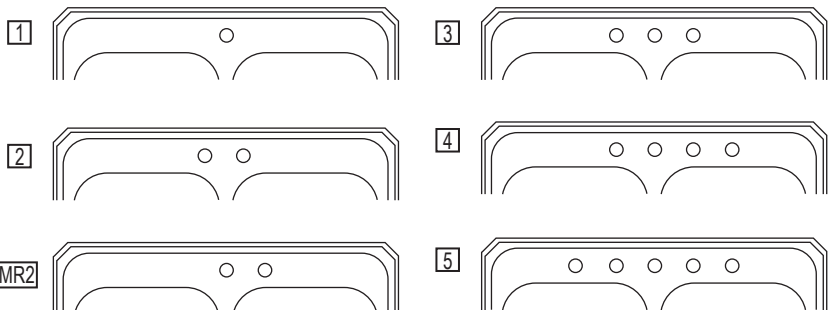
* Length is left to right. Width is front to back.



Model CR43224 Illustrated

Hole Drilling Configurations

1-1/4" (32mm) Diameter Faucet Holes on 4" (102mm) Centers



In keeping with our policy of continuing product improvement, Elkay reserves the right to change product specifications without notice. Please visit elkay.com for the most current version of Elkay product specification sheets.

This specification describes an Elkay product with design, quality, and functional benefits to the user. When making a comparison of other producers' offerings, be certain these features are not overlooked.