

ELKAY[®]

SPECIFICATIONS

Avado™ Collection

Undermount Triple Bowl Sink

Model EFU402010

GENERAL

Highest quality sink fabricated of #16 gauge, type 304 (18-8) nickel bearing stainless steel.

DESIGN FEATURES

Bowl Depth: 6" (center bowl), 10" (left/right bowl).

Coved Corners: Zero radius.

Finish: Exposed surfaces are polished to a bright satin finish.

Underside: Fully protected by heavy duty Sound Guard[®] under-coating to dampen sound and prevent condensation.

OTHER

Drain Opening: 3-1/2".

NOTE: All Elkay undermount sinks are designed to attach to the underside of any solid surface countertop.

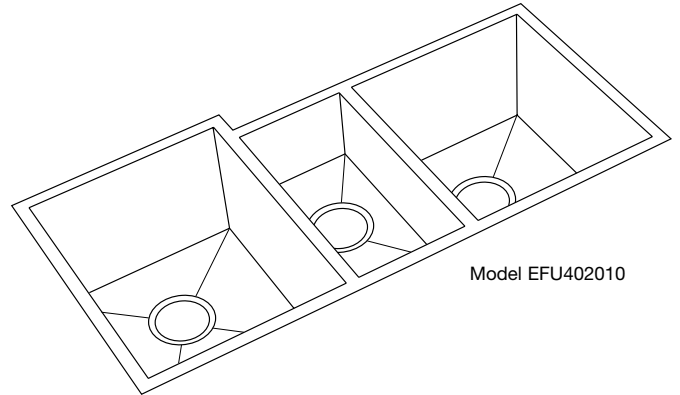
This sink complies with ASME A112.19.3.

OPTIONAL ACCESSORIES

Rinsing Baskets: LKWRB1418SS (large bowl), LKWRB1316SS (medium bowl), LKWERBSS (large or medium bowl), LKWRB715SS (small bowl).

Utensil Caddy for Rinsing Basket: LKWUCSS.

Bottom Grids: LKWOBG1418SS (large bowl), LKWOBG1316SS (medium bowl).



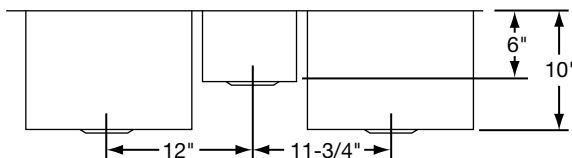
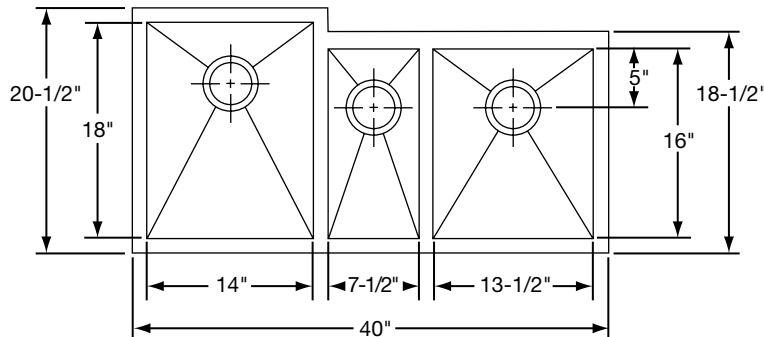
Model EFU402010

SINK DIMENSIONS (INCHES)*

Model Number	Overall		Inside Left Bowl			Inside Center Bowl			Inside Right Bowl			Cutout in Countertop	Minimum Cabinet Size
	L	W	L	W	D	L	W	D	L	W	D		
EFU402010	40	20 1/2	14	18	10	7 1/2	16	6	13 1/2	16	10	See Template**	45

*Length is left to right. Width is front to back.

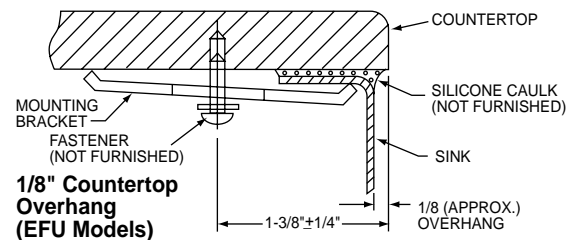
**Template and countertop mounting clips are packed with every sink.



Model EFU402010 Illustrated

Installation Profile of EFU Models

The template provided with each EFU sink provides the only type of installation recommended by Elkay.



ALL DIMENSIONS IN INCHES, TO CONVERT TO MILLIMETERS MULTIPLY BY 25.4.

In keeping with our policy of continuing product improvement, Elkay reserves the right to change product specifications without notice.

This specification describes an Elkay product with design, quality and functional benefits to the user. When making a comparison of other producers' offerings, be certain these features are not overlooked.