

ELKAY®

SPECIFICATIONS

Avado™

Universal Mount Sink with Slim Rim Model EFRTU252210

GENERAL

Highest quality sink fabricated of #18 (1mm) gauge, type 304 (18-8) nickel bearing stainless steel. Top mount or undermount.

DESIGN FEATURES

Bowl Depth: 10" (254mm).

Coved Corners: Approximately 5/8" (15mm).

Rim Height: 3/64" (1mm).

Slim Rim: Ultra-thin edge virtually eliminates the barrier between the sink and countertop.

Finish: Exposed surfaces have a Polished Satin finish.

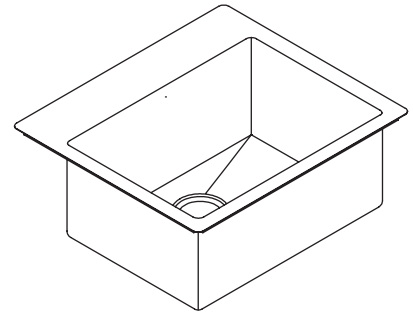
Underside: Fully protected by heavy duty Sound Guard® undercoating to reduce condensation and dampen sound.

OTHER

Drain Opening: 3-1/2" (89mm).

NOTE: Unless otherwise specified, sink is furnished with 4 faucet holes as shown.

Sink complies with ASME A112.19.3-2008 / CSA B45.4-08.

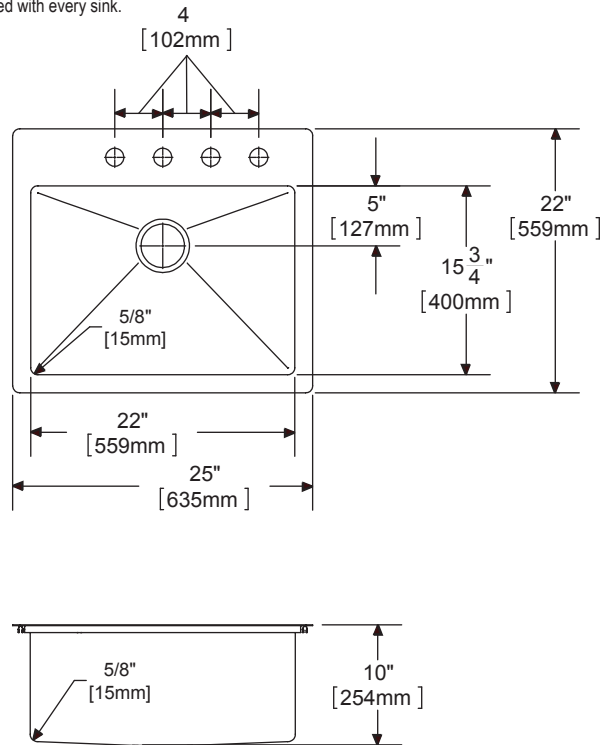


SINK DIMENSIONS*

Model Number	Overall		Inside Bowl			Cutout in Countertop ¼ (6mm) Radius Corners Top Mount Installation Only	No. of 1-1/2" (38mm) Dia. Faucet Holes 4" (102mm) Center	Minimum Cabinet Size
	L	W	L	W	D			
EFRTU252210	25 (635mm)	22 (559mm)	22 (559mm)	15 ¾ (400mm)	10 (254mm)	24 ¾ x 21 ¾ (619mm x 543mm)	1, 2, MR2, 3, 4, or 5	30 (762mm)

* Length is left to right. Width is front to back.

** For undermount installation, template 74180695 is packed with every sink.

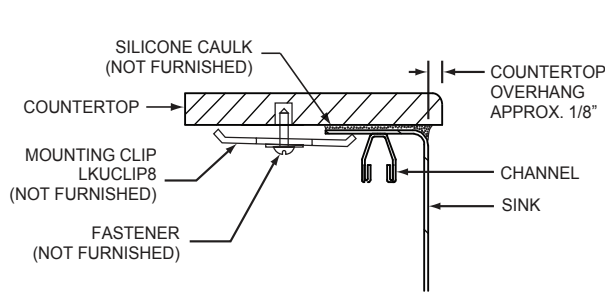


Model EFRTU2522104 Illustrated

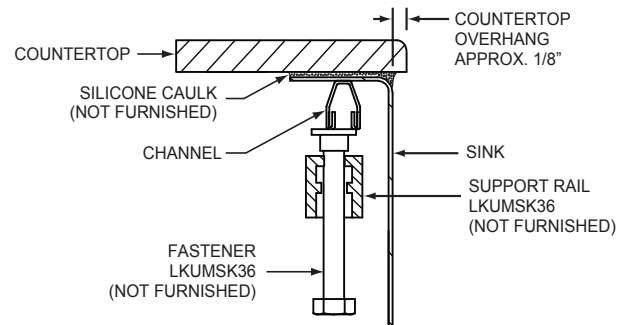
In keeping with our policy of continuing product improvement, Elkay reserves the right to change product specifications without notice. Please visit elkayusa.com for most current version of Elkay product specification sheets.

This specification describes an Elkay product with design, quality and functional benefits to the user. When making a comparison of other producers' offerings, be certain these features are not overlooked.

UNDERMOUNT INSTALLATION

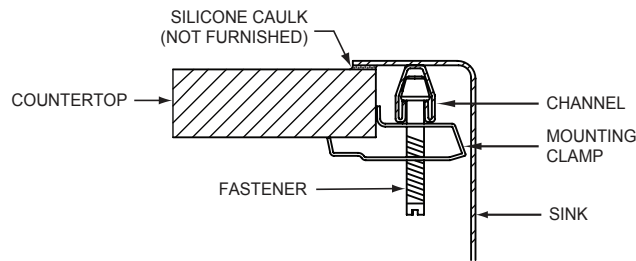


SIDES



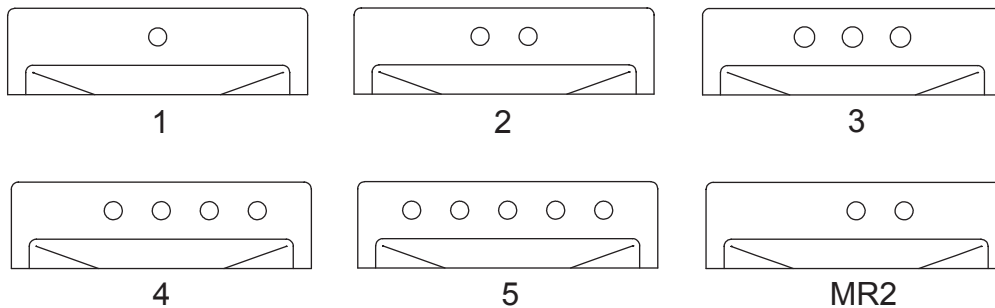
FRONT & BACK

TOP MOUNT INSTALLATION



HOLE DRILLING CONFIGURATIONS

1-1/2" (38mm) Diameter Faucet Holes on 4" (102mm) Centers



In keeping with our policy of continuing product improvement, Elkay reserves the right to change product specifications without notice. Please visit elkayusa.com for most current version of Elkay product specification sheets.

This specification describes an Elkay product with design, quality and functional benefits to the user. When making a comparison of other producers' offerings, be certain these features are not overlooked.

OPTIONAL ACCESSORIES

Undermount Hardware: LKUMSK36, LKUCLIP8

Utensil Caddy for Rinsing Basket: LKWUCSS

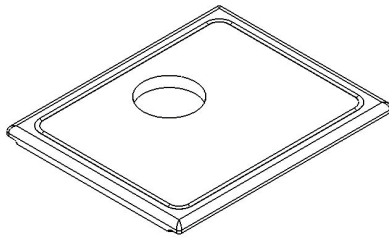
Drain: LK99

For Additional Accessories see table below

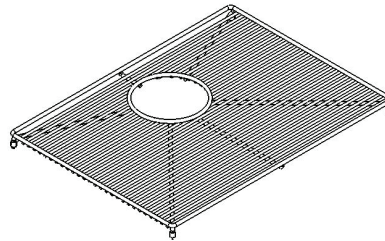
Model Number	Description	Overall			Material / Finish
		L	W	Depth / Thickness	
LKFOBG2115SS	Bottom Grid	20 (508mm)	14-3/4 (375mm)	1-1/8 (29mm)	Polished Stainless Steel
LKCBF2115HW	Cutting Board**	20-1/2 (521mm)	16-5/8 (422mm)	1 (25mm)	Hardwood
LKFRB2115SS	Rinsing Basket	20 (508mm)	14-3/4 (375mm)	7 (178mm)	Polished Stainless Steel
LKWERBSS	Rinsing Basket	12-3/8 (314mm)	15-3/8 (391mm)	5-1/2 (140mm)	Polished Stainless Steel

*Length is left to right. Width is front to back.

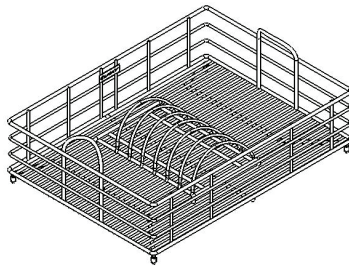
** Fits countertop opening on undermount installations.



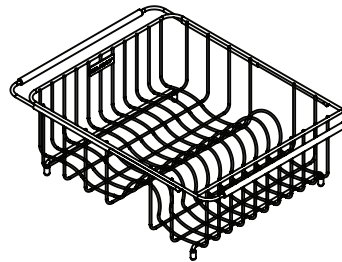
LKCBF2115HW



LKFOBG2115SS



LKFRB2115SS



LKWERBSS