

**Lustertone® Undermount Single Bowl Sink  
Models ELU1618 and ELUH1618**



**SPECIFICATIONS**

**GENERAL**

Highest quality sink seamlessly drawn of #18 gauge, type 304 (18-8) nickel bearing stainless steel. Underside of sink is fully protected by heavy duty Sound Guard™ undercoating. Designed to accept waste disposer.

**DESIGN FEATURES**

Bowl Depth: 9-1/2".

Finish: Exposed surfaces are hand blended to a lustrous high-lighted satin finish. ELUH1618 has highlighted inside top bowl radius.

Underside: Underside of sink is fully protected by heavy duty Sound Guard™ undercoating to prevent condensation and deaden sound.

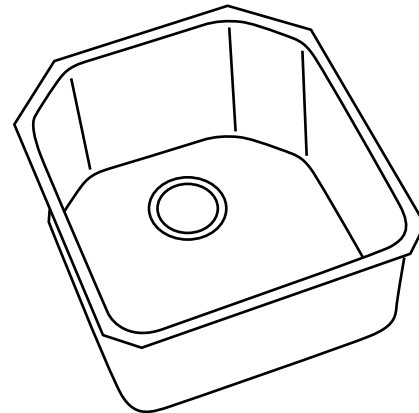
**OTHER**

Drain Opening: 3-1/2".

Note: All Elkay custom design undermount sinks are designed to affix easily to the underside of any solid surface countertop.

Installation: See illustrated profile below.

Recommended Minimum Cabinet Size: 21".



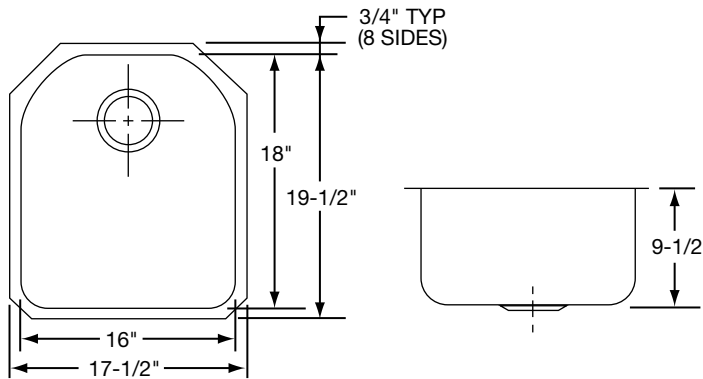
Model ELU1618

**SINK DIMENSIONS (INCHES)\***

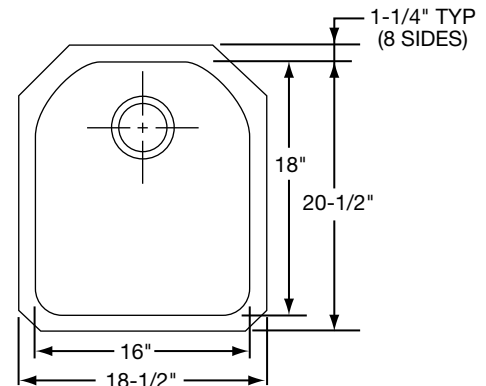
Model Number	Overall		Inside Each Bowl			Cutout in Countertop	Ship. Wt. Lbs.
	L	W	L	W	D		
ELU1618	17 1/2	19 1/2	16	18	9 1/2	See Template**	15
ELUH1618	18 1/2	20 1/2	16	18	9 1/2		15

\*Length is left to right. Width is front to back.

\*\*Template and countertop mounting clips are packed with every sink.



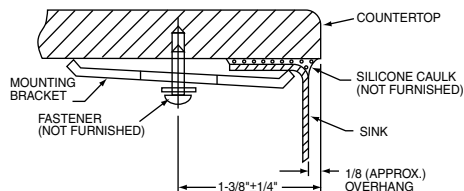
ELU1618 Illustrated



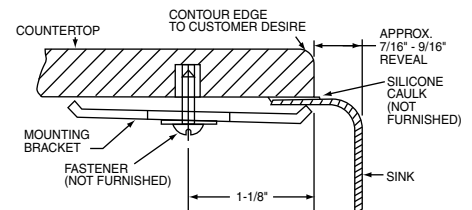
ELUH1618 Illustrated

**Installation Profile of ELU and ELUH Single Bowl Models**

The template provided with each ELU/ELUH sink provides the only type of installation recommended by Elkay.



**1/8" Countertop Overhang (ELU Single bowl)**



**(ELUH Single bowl)**

ALL DIMENSIONS IN INCHES, TO CONVERT TO MILLIMETERS MULTIPLY BY 25.4.

In keeping with our policy of continuing product improvement, Elkay reserves the right to change product specifications without notice.

This specification describes an Elkay product with design, quality and functional benefits to the user. When making a comparison of other producers' offerings, be certain these features are not overlooked.